



US00D774966S

(12) **United States Design Patent** (10) **Patent No.:** **US D774,966 S**  
**Finbow et al.** (45) **Date of Patent:** **\*\* Dec. 27, 2016**

(54) **BICYCLE FRAME**  
(71) Applicant: **2384543 ONTARIO DRIVE**, Aurora (CA)  
(72) Inventors: **Matthew James Finbow**, Uxbridge (CA); **Albert Schmid**, Aurora (CA)  
(73) Assignee: **2384543 ONTARIO INC.**, Aurora, Ontario (CA)

(\*\*) Term: **14 Years**

(21) Appl. No.: **29/479,232**

(22) Filed: **Jan. 14, 2014**

(51) **LOC (10) Cl.** ..... **12-11**

(52) **U.S. Cl.**  
USPC ..... **D12/111**

(58) **Field of Classification Search**  
USPC ..... D12/111, 117; 280/274–280, 281.1, 280/283–288, 288.1–288.4  
CPC ..... B62K 3/00; B62K 3/005; B62K 9/00; B62K 19/00; B62K 19/02; B62K 19/04; B62K 19/06; B62K 19/16  
See application file for complete search history.

(56) **References Cited**

**U.S. PATENT DOCUMENTS**

D235,249 S \* 6/1975 Kitsuda ..... D12/111  
D392,602 S \* 3/1998 Silva ..... D12/111  
D465,438 S \* 11/2002 Masui et al. .... D12/111  
D520,916 S \* 5/2006 Schlick ..... D12/111

D533,811 S \* 12/2006 Hoisington et al. .... D12/111  
D566,012 S \* 4/2008 Schlick ..... D12/111  
7,393,125 B1 \* 7/2008 Lai ..... 362/473  
D666,946 S \* 9/2012 Uimonen ..... D12/111  
D670,208 S \* 11/2012 Frenzel et al. .... D12/111  
D688,599 S \* 8/2013 Silva ..... D12/111  
D690,239 S \* 9/2013 Uimonen ..... D12/111  
D693,739 S \* 11/2013 Uimonen ..... D12/111  
2012/0061940 A1 \* 3/2012 Kramer et al. .... 280/252

**FOREIGN PATENT DOCUMENTS**

EP 1378429 A1 \* 1/2004 ..... B62K 15/00  
GB 2502468 A \* 11/2013 ..... B62K 15/00  
JP 2006142852 A \* 6/2006 ..... B62K 15/00

\* cited by examiner

*Primary Examiner* — Darlington Ly

(74) *Attorney, Agent, or Firm* — Cantor Colburn LLP

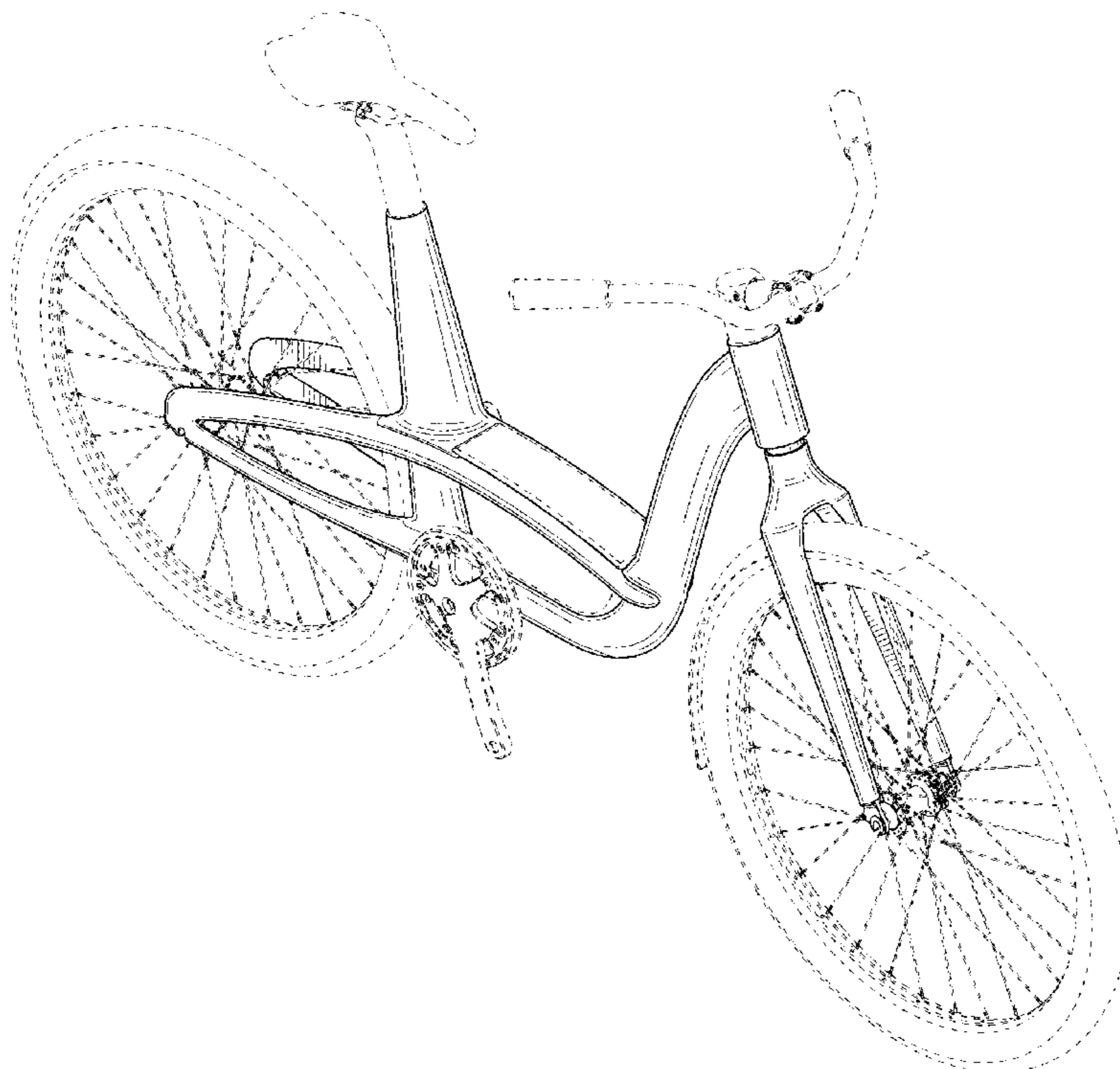
(57) **CLAIM**

We claim, the ornamental design for a bicycle frame, as shown and described.

**DESCRIPTION**

FIG. 1 is a perspective view of a bicycle frame, showing our new design;  
FIG. 2 is a right-side elevation view thereof;  
FIG. 3 is a left-side elevation view thereof;  
FIG. 4 is a front elevation view thereof;  
FIG. 5 is a rear elevation view thereof; and,  
FIG. 6 is a top plan view thereof.  
The broken lines shown in the drawings illustrate portions of the bicycle frame that form no part of the claimed design.

**1 Claim, 6 Drawing Sheets**



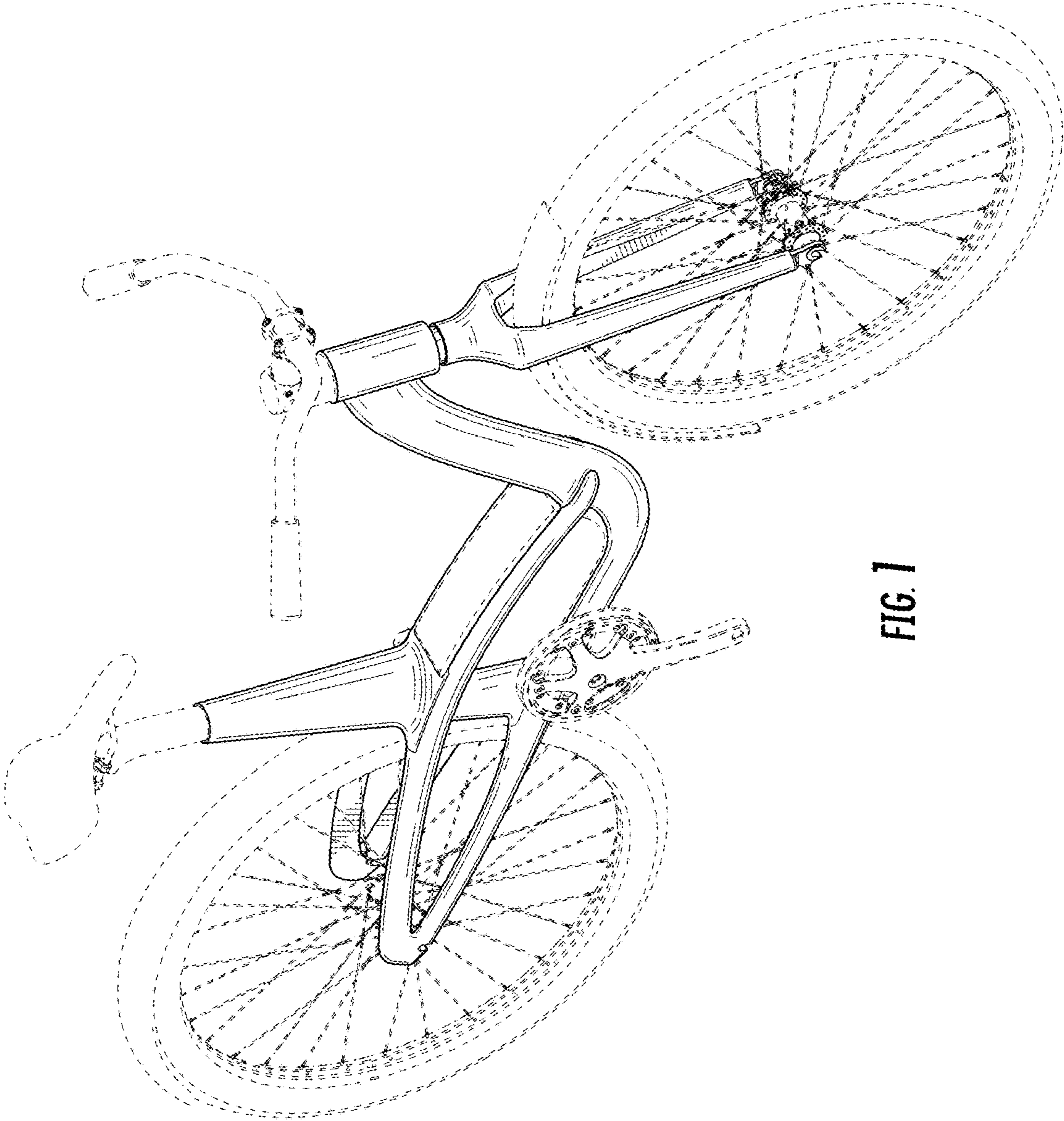


FIG. 1

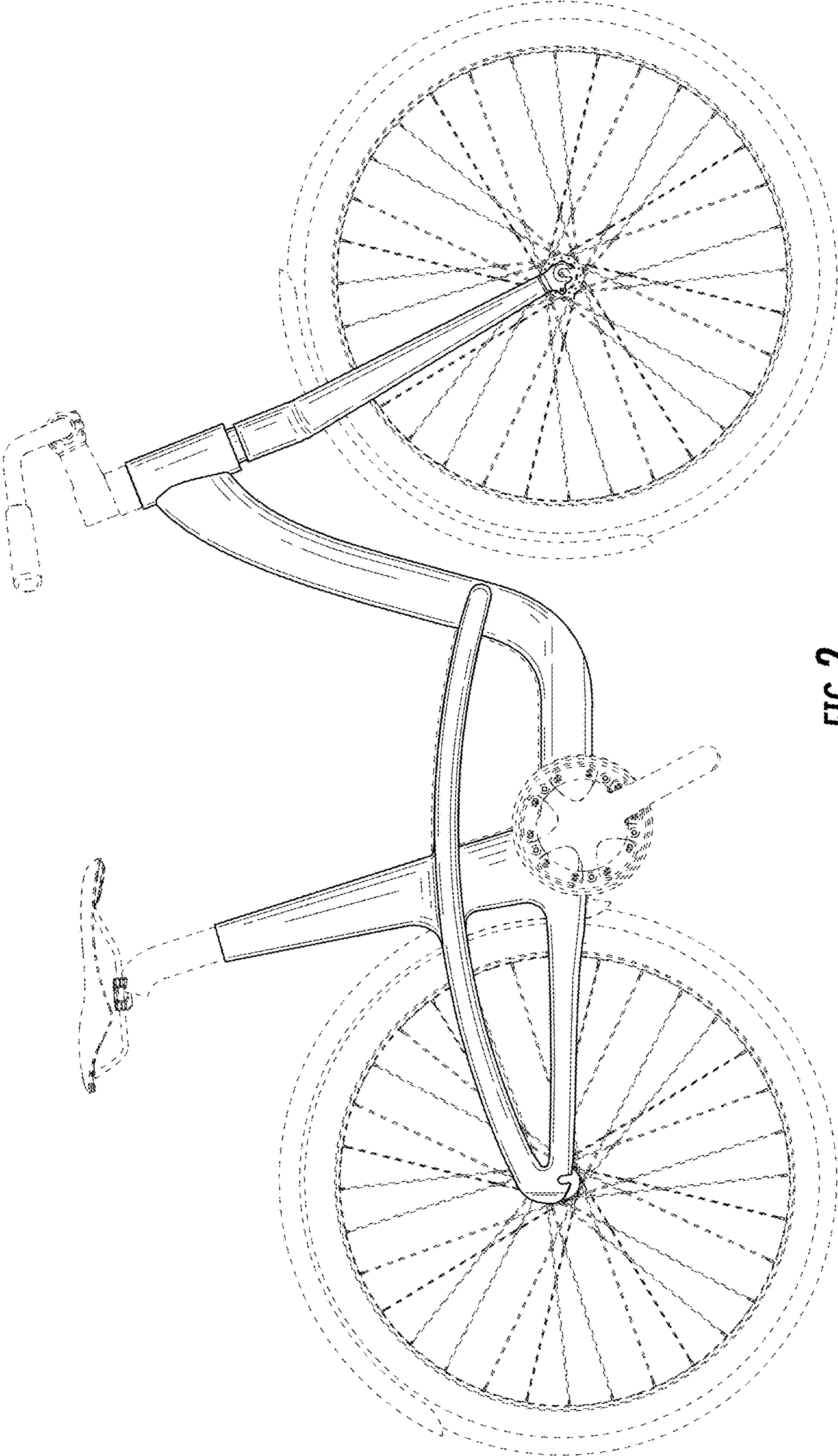


FIG. 2

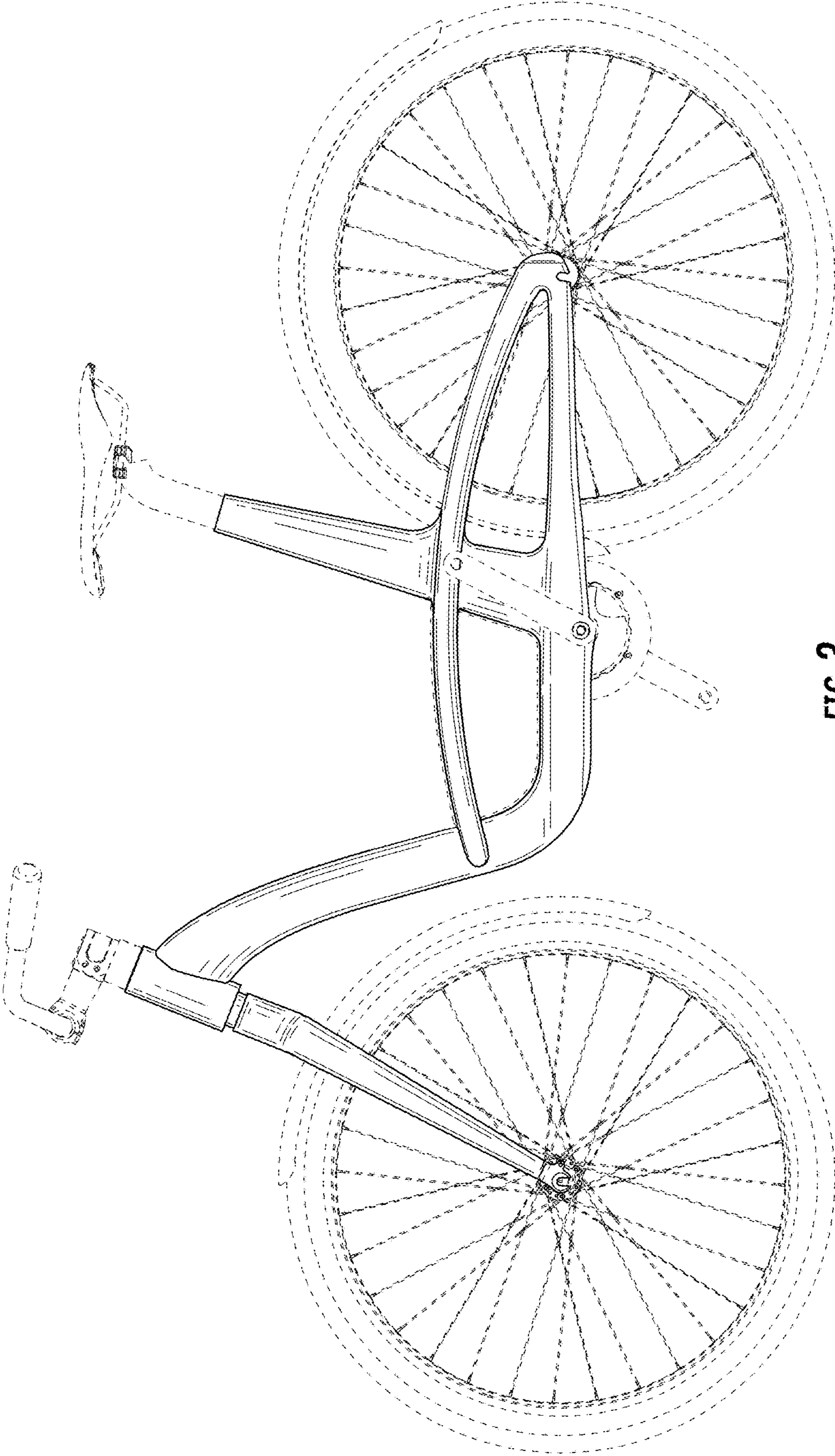
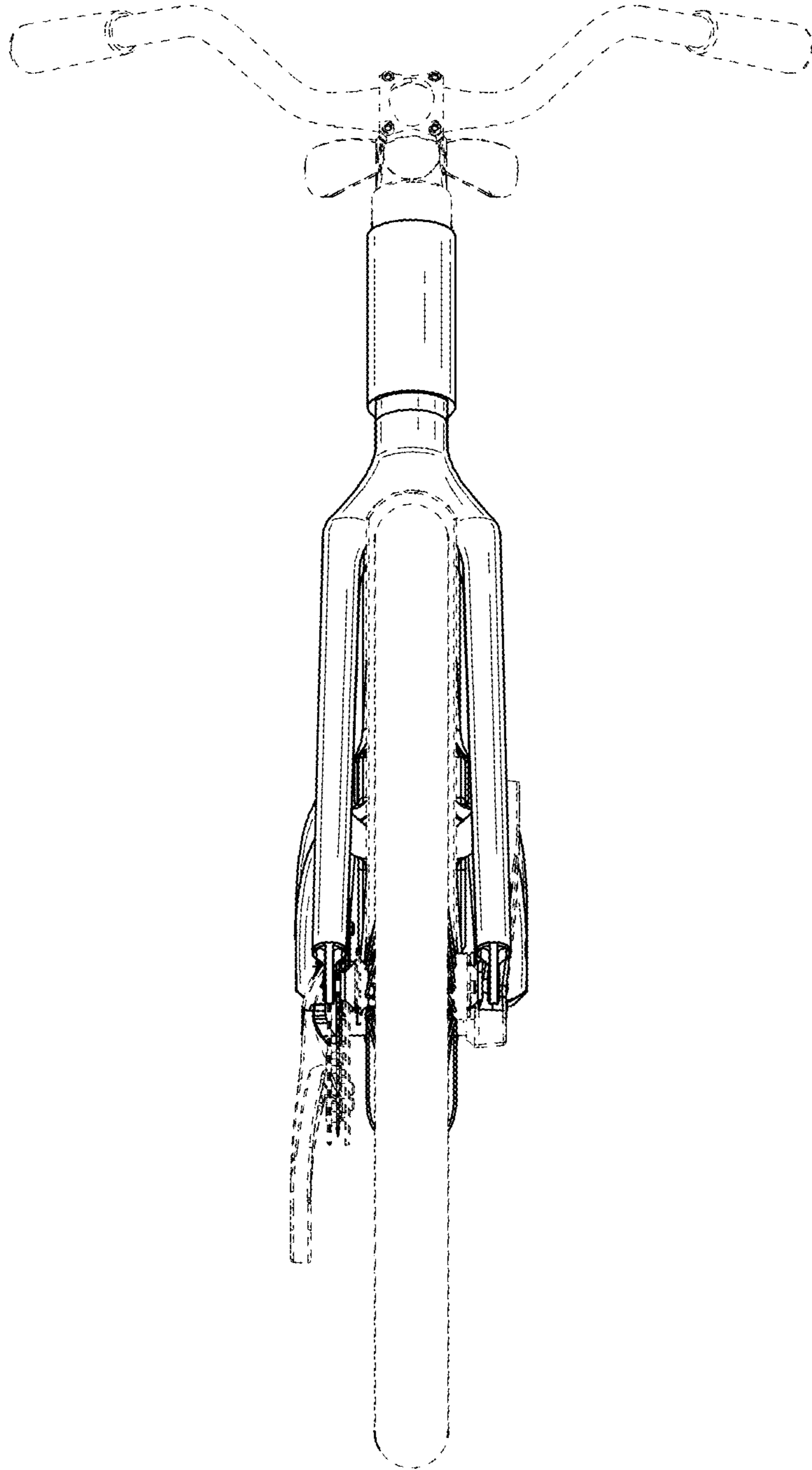
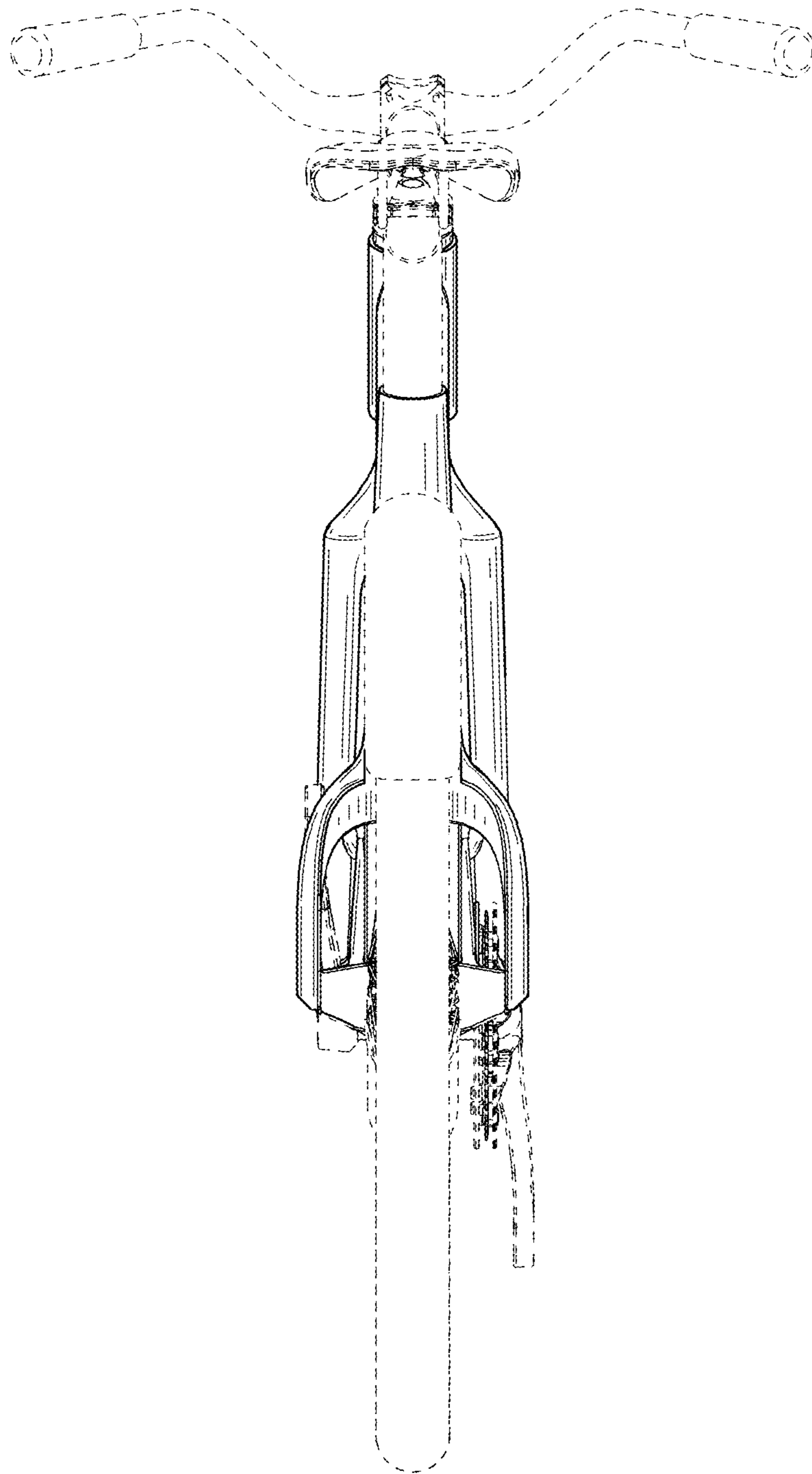


FIG. 3



**FIG. 4**



**FIG. 5**

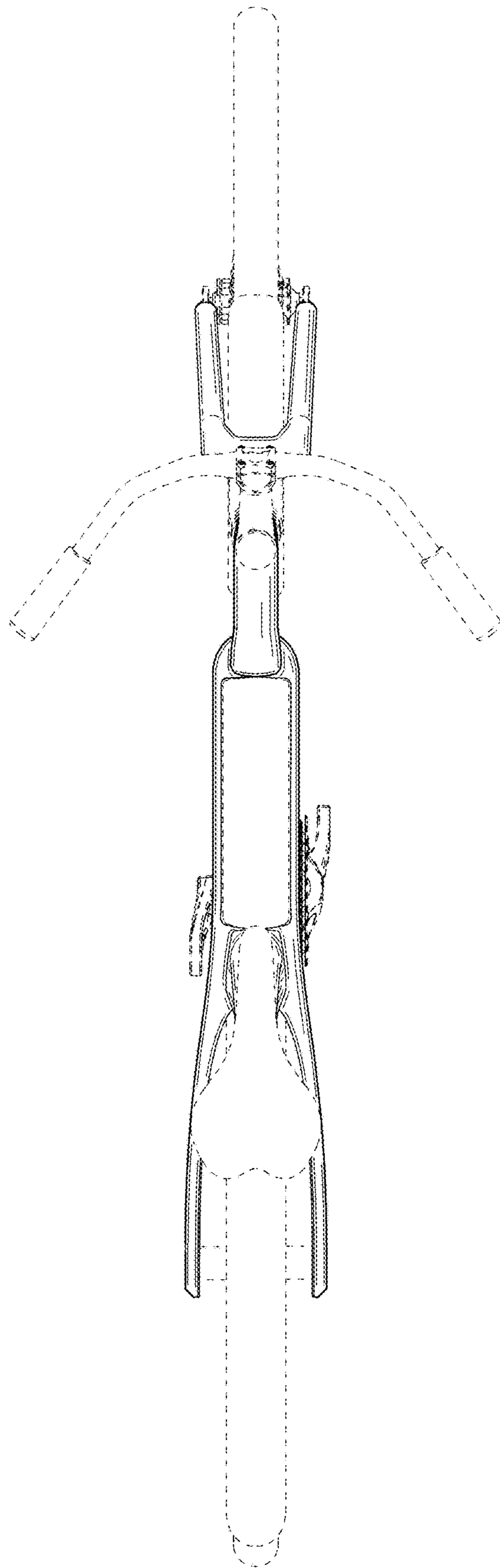


FIG. 6