



US00D774965S

(12) **United States Design Patent**
Spadoni

(10) **Patent No.:** **US D774,965 S**

(45) **Date of Patent:** **** Dec. 27, 2016**

(54) **BICYCLE**

(71) Applicant: **Vittorio Spadoni**, Negrar (IT)

(72) Inventor: **Vittorio Spadoni**, Negrar (IT)

(**) Term: **14 Years**

(21) Appl. No.: **29/474,907**

(22) Filed: **Mar. 13, 2015**

(30) **Foreign Application Priority Data**

Mar. 5, 2015 (EM) 002646901

(51) **LOC (10) Cl.** **12-11**

(52) **U.S. Cl.**
USPC **D12/111**

(58) **Field of Classification Search**
USPC D12/111, 117; 280/274–280, 281.1,
280/283–288, 288.1–288.4
CPC B62K 3/00; B62K 3/005; B62K 9/00;
B62K 19/00; B62K 19/02; B62K 19/04;
B62K 19/06; B62K 19/16
See application file for complete search history.

(56) **References Cited**

U.S. PATENT DOCUMENTS

4,634,138 A * 1/1987 Fryer B62K 15/008
280/278
5,836,602 A * 11/1998 Wang B62K 15/008
280/278
6,267,401 B1 * 7/2001 De Jong B62K 15/008
280/287
6,623,023 B2 * 9/2003 Niitsu B62K 15/008
180/220
D487,234 S * 3/2004 Chen D12/111
6,702,312 B1 * 3/2004 Miksik B62J 1/04
280/278
D490,026 S * 5/2004 Irbacher D12/111
D497,122 S * 10/2004 Uenaka D12/111

D497,574 S * 10/2004 Yamabe D12/111
6,799,771 B2 * 10/2004 Bigot B62K 15/008
280/278
6,880,848 B2 * 4/2005 Liu B62K 15/008
280/278
D512,346 S * 12/2005 Sinclair D12/111
7,055,842 B1 * 6/2006 Lin B62K 15/008
280/278
7,156,409 B2 * 1/2007 Chuang B62K 15/006
280/278

(Continued)

OTHER PUBLICATIONS

Ganzo. "One Shot Folding Bicycle Concept | Valentina Vecchia and Marilena Alberga." Ganzo., Oct. 9, 2013 [online], [retrieved on Jul. 10, 2016]. Retrieved from the Internet <URL: <http://www.ganzomag.com/one-shot-folding-bicycle.html>>.*

(Continued)

Primary Examiner — Darlington Ly
(74) *Attorney, Agent, or Firm* — Modiano & Associati;
Daniel J. O'Byrne

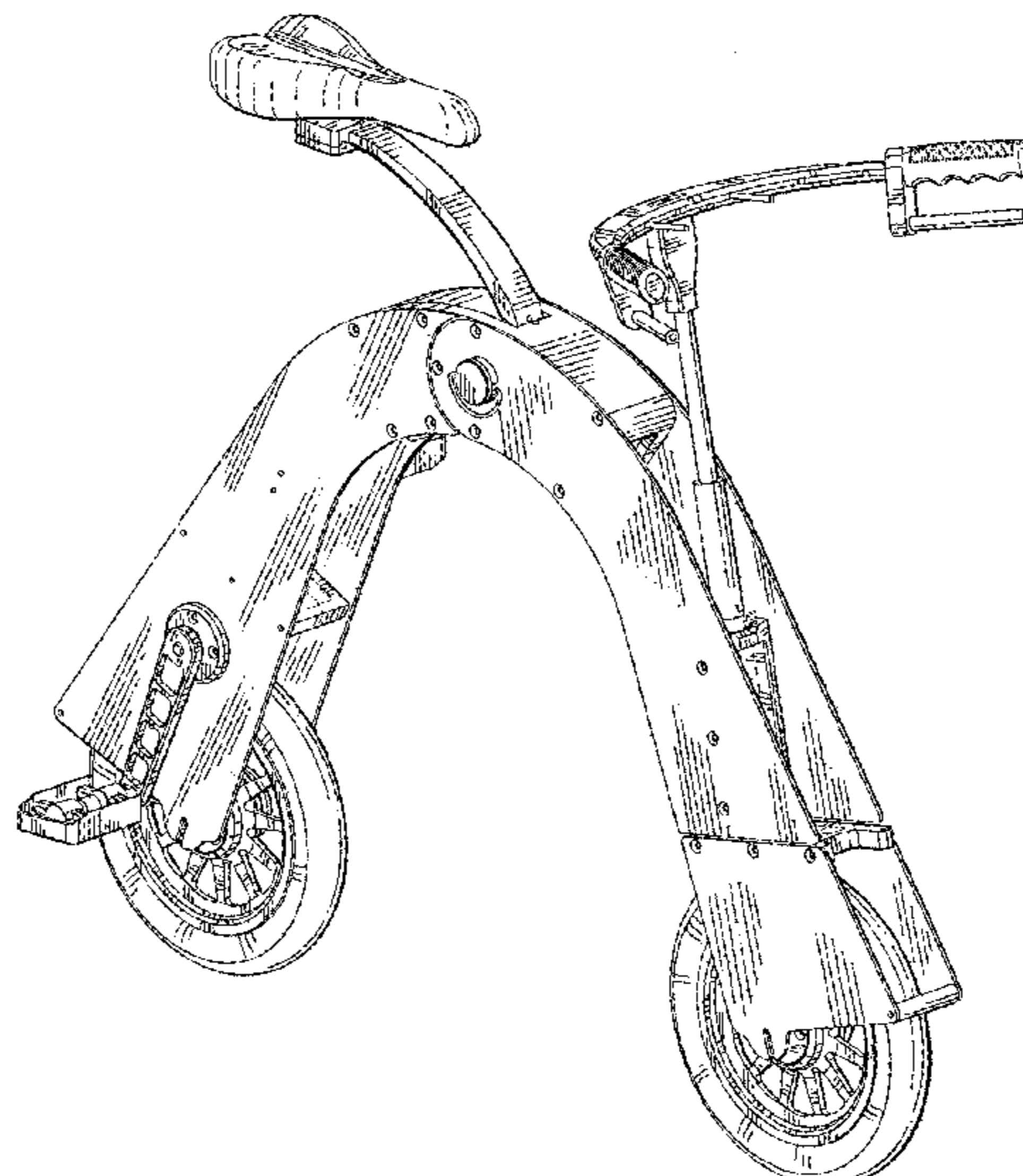
(57) **CLAIM**

The ornamental design for a bicycle, as shown and described.

DESCRIPTION

FIG. 1 is a perspective view of the bicycle showing my new design;
FIG. 2 is a rear elevation view thereof;
FIG. 3 is a front elevation view thereof;
FIG. 4 is a left side elevation view thereof;
FIG. 5 is a top plan view thereof; and,
FIG. 6 is a perspective view thereof, wherein the bicycle is in a collapsed configuration.
The broken lines in the drawings illustrate portions of the bicycle that forms no part of the claimed design.

1 Claim, 6 Drawing Sheets



(56)

References Cited

U.S. PATENT DOCUMENTS

D536,645 S * 2/2007 Cole D12/111
 D547,702 S * 7/2007 Tabuchi D12/111
 D616,335 S * 5/2010 Kubota D12/111
 D617,687 S * 6/2010 Brady D12/111
 D626,037 S * 10/2010 Thetard D12/111
 D650,724 S * 12/2011 Chiang D12/111
 D654,403 S * 2/2012 Kyu D12/111
 D659,597 S * 5/2012 Chen D12/111
 D668,586 S * 10/2012 Golias D12/111
 D685,683 S * 7/2013 Shaw D12/111
 8,801,022 B2 * 8/2014 Song B62K 15/006
 280/278
 D724,497 S * 3/2015 Harness D12/111
 D726,592 S * 4/2015 Zhang D12/107
 D730,778 S * 6/2015 Harness D12/111
 D730,779 S * 6/2015 Arbour D12/111
 D739,308 S * 9/2015 Barnaby Latham D12/111
 D739,310 S * 9/2015 Barnaby Latham D12/112
 D756,264 S * 5/2016 Thompson D12/111
 D758,242 S * 6/2016 Craven D12/111
 2002/0170377 A1 * 11/2002 Stephens B62K 15/008
 74/551.3
 2003/0114274 A1 * 6/2003 Chang B62K 15/008
 482/57
 2005/0263979 A1 * 12/2005 Sinclair B62K 15/006
 280/278
 2009/0058038 A1 * 3/2009 Dodman B62K 3/10
 280/274

2013/0087989 A1 * 4/2013 Beistegui
 Chirapozu B62K 15/006
 280/287
 2014/0225346 A1 * 8/2014 Bettin B62K 15/008
 280/236
 2015/0225033 A1 * 8/2015 Yap B62K 15/006
 280/259
 2015/0353160 A1 * 12/2015 Augustinoy B62K 15/006
 280/287
 2016/0144925 A1 * 5/2016 Wang B62K 21/16
 280/261

OTHER PUBLICATIONS

Seth, Radhika. "A Better Folding Cycle." Yanko Design., Sep. 6, 2011 [online], [retrieved on Jul. 10, 2016]. Retrieved from the Internet <URL: <http://www.yankodesign.com/2011/09/06/a-better-folding-cycle/>>.*
 McCaleb, Colin. "Concept Bike—Designer Leandro Oliveira's Folding Urban Cruiser." Bike Rumor., Feb. 14, 2012 [online], [retrieved on Jul. 10, 2016]. Retrieved from the Internet <URL: <http://www.bikerumor.com/2012/02/14/concept-bike-designer-leandro-oliveiras-folding-urban-cruiser/>>.*
 Ruchi. "Electric Bike Design." Walyou., Jan. 7, 2009 [online], [retrieved on Jul. 10, 2016]. Retrieved from the Internet <URL: <http://walyou.com/electric-bike-design/>>.*

* cited by examiner

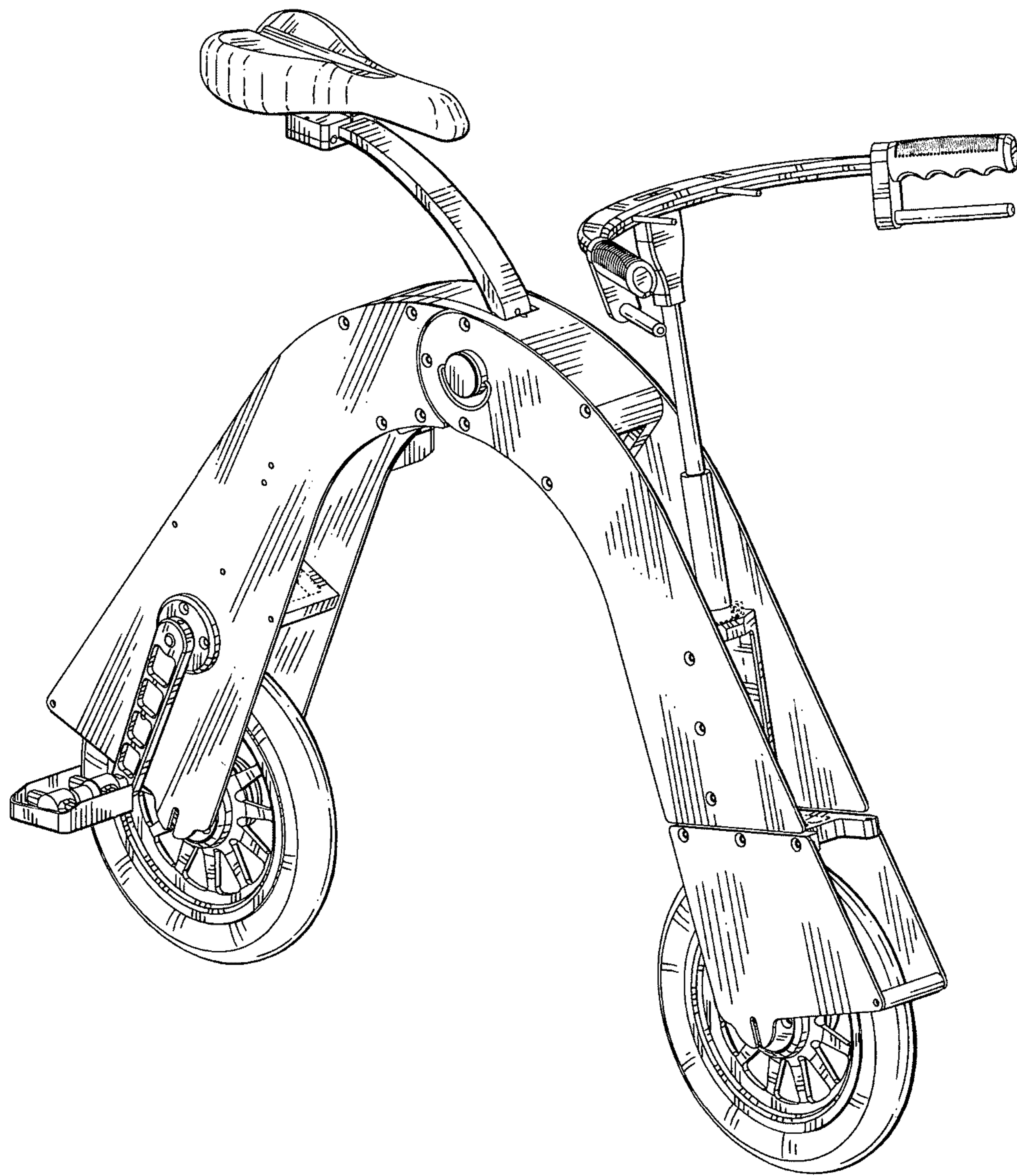


Fig. 1

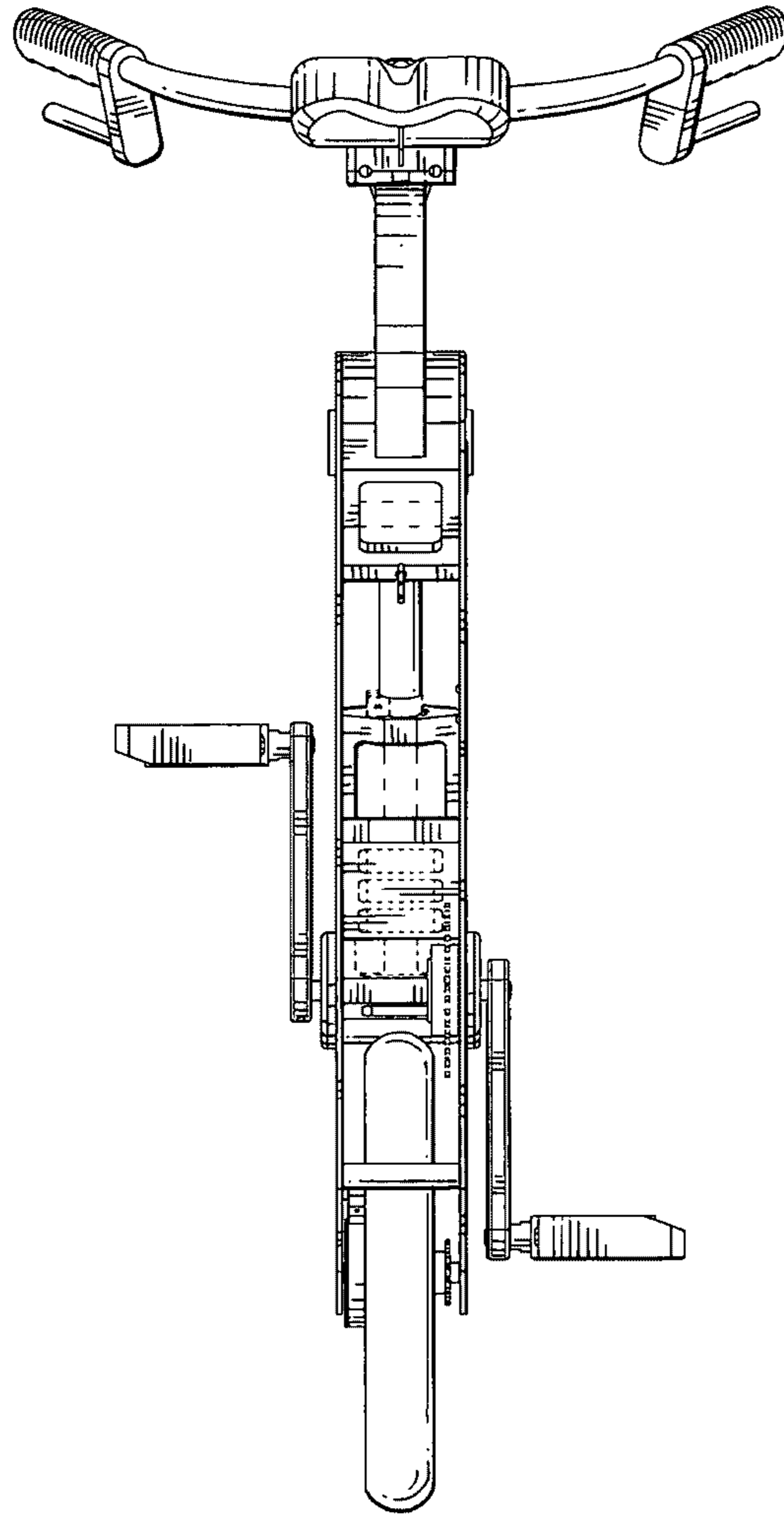


Fig. 2

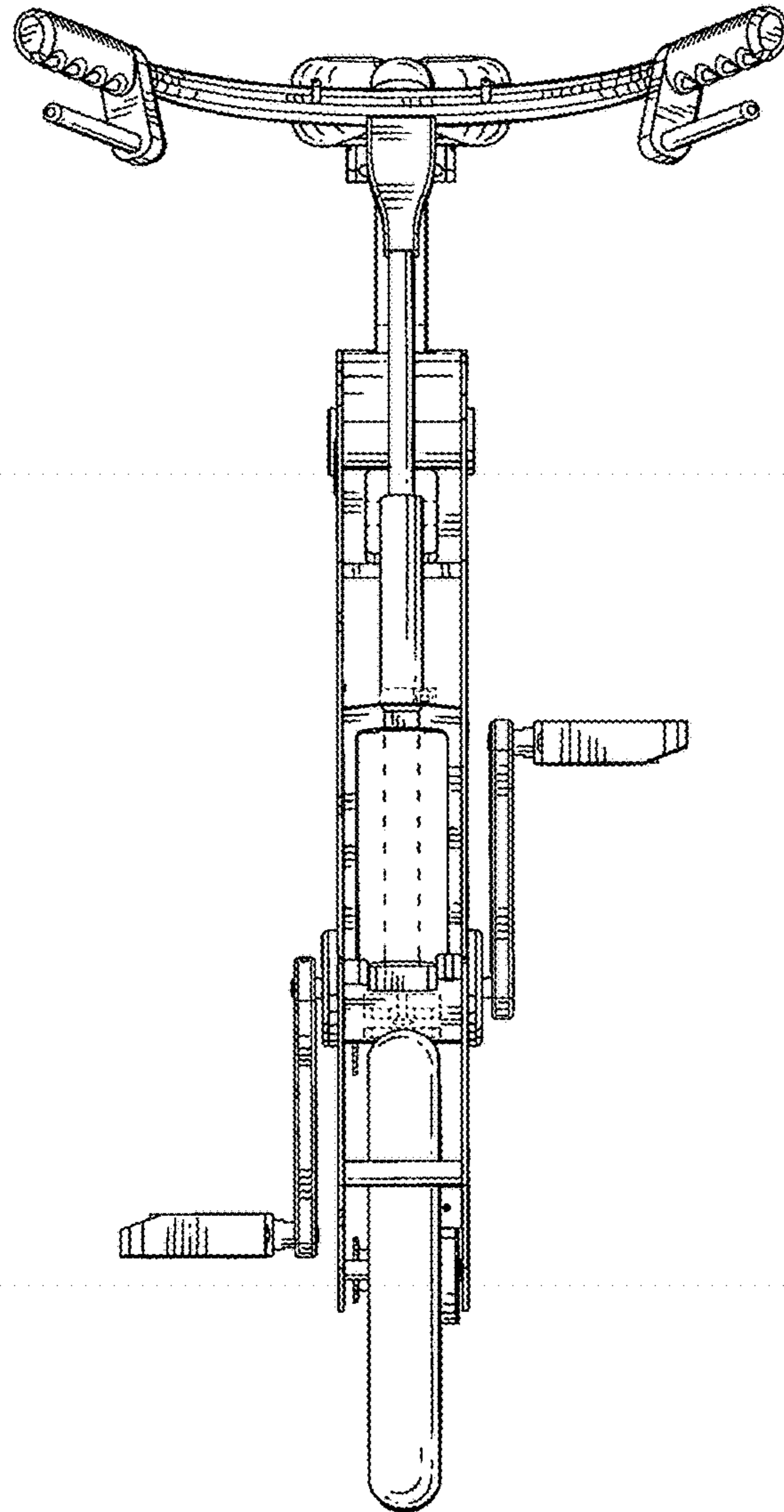


Fig. 3

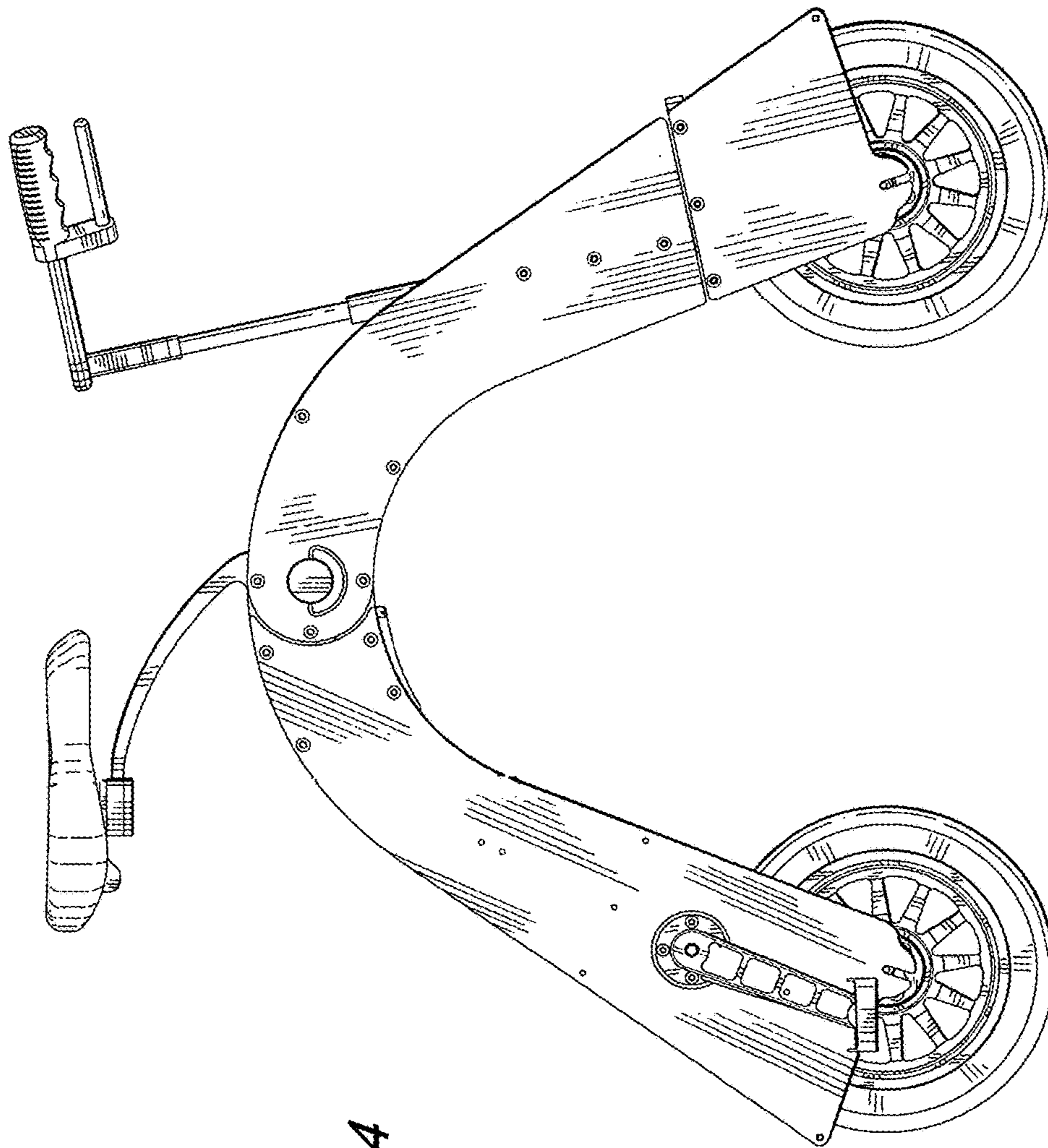


Fig. 4

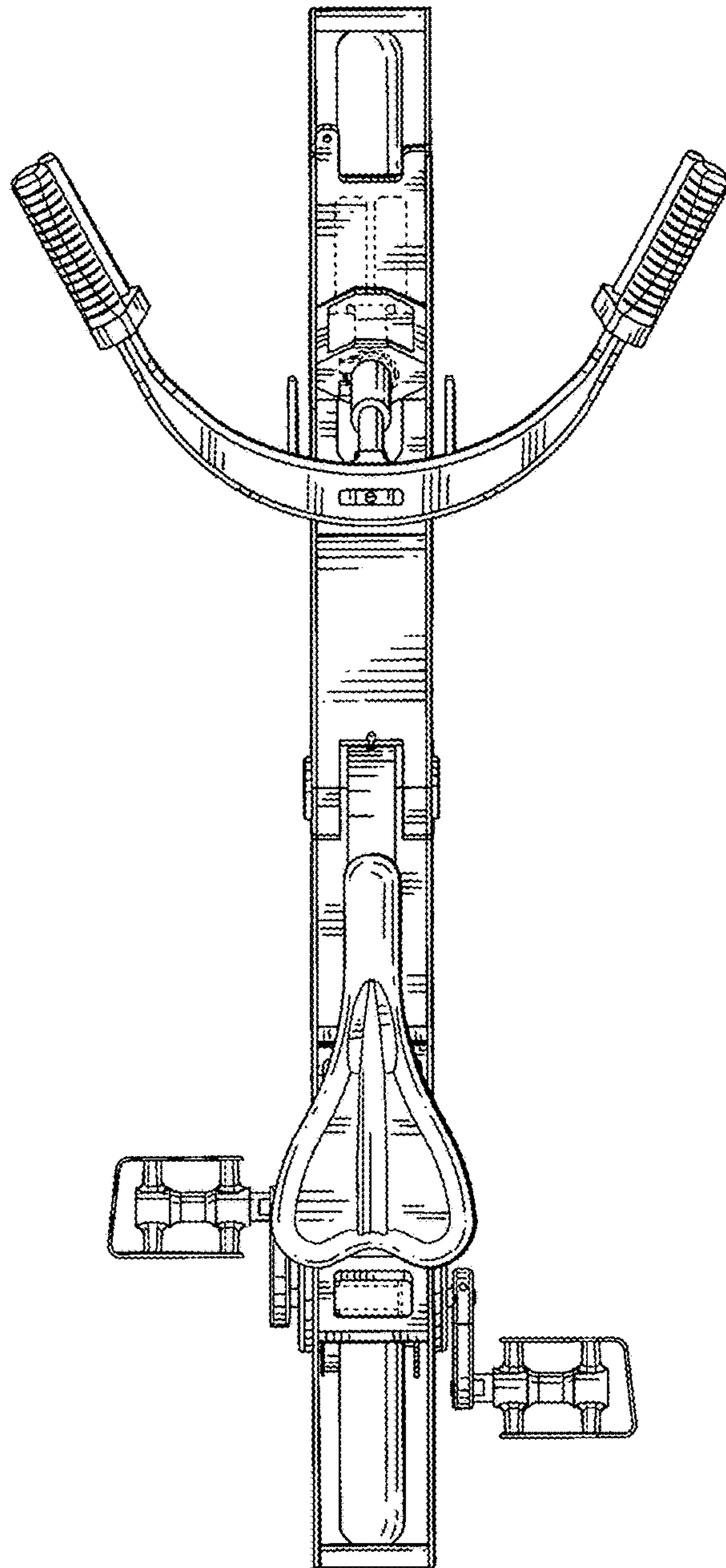


Fig. 5

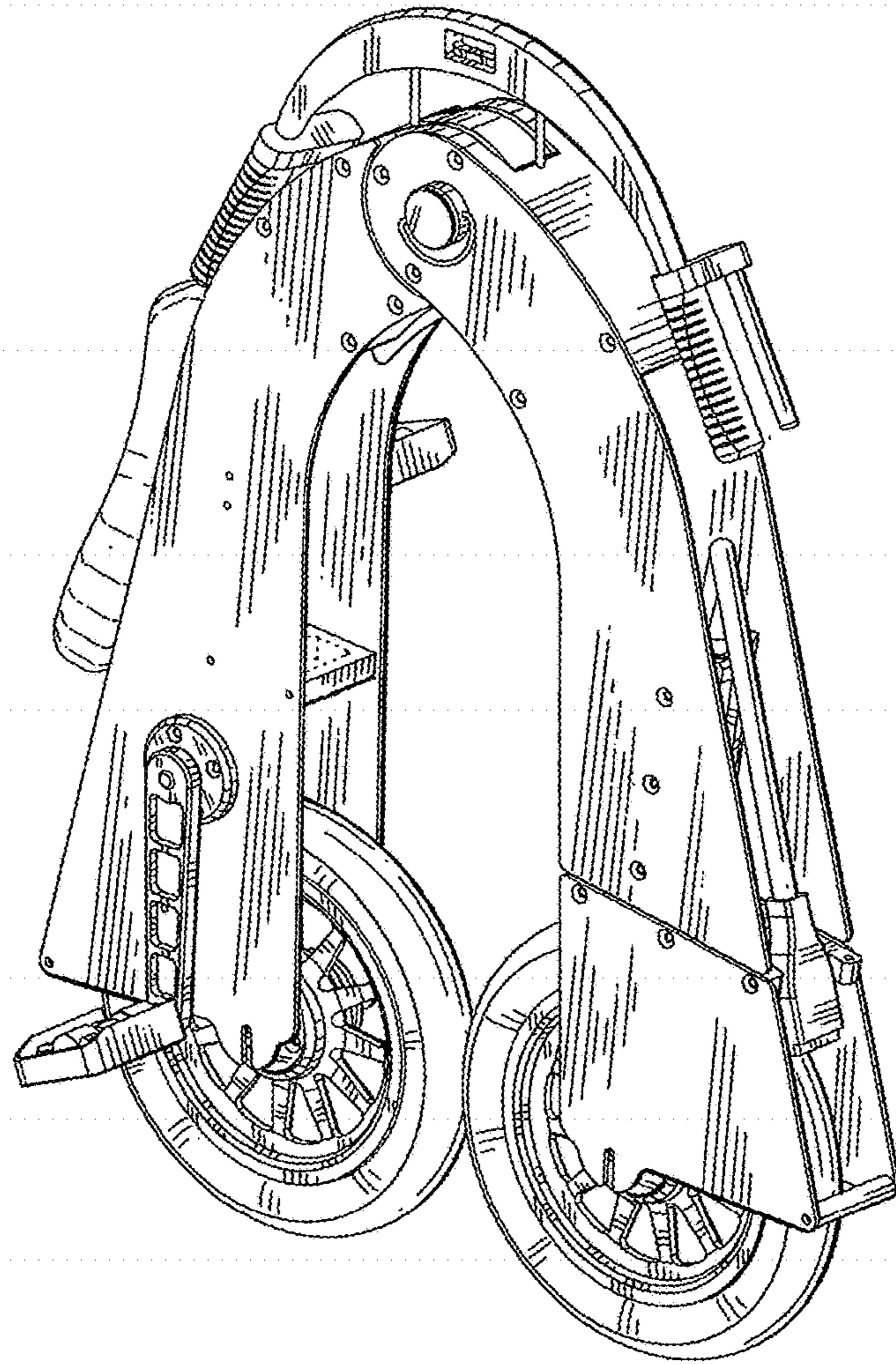


Fig. 6