



US00D774964S

(12) **United States Design Patent** (10) **Patent No.:** **US D774,964 S**
Akashi (45) **Date of Patent:** **** Dec. 27, 2016**

(54) **MOTORCYCLE**
(71) Applicant: **Masaru Akashi**, Lakewood, CA (US)
(72) Inventor: **Masaru Akashi**, Lakewood, CA (US)
(73) Assignee: **YAMAHA HATSUDOKI**
KABUSHIKI KAISHA (JP)
(**) Term: **15 Years**
(21) Appl. No.: **29/546,264**
(22) Filed: **Nov. 20, 2015**
(51) **LOC (10) Cl.** **12-11**
(52) **U.S. Cl.**
USPC **D12/110**
(58) **Field of Classification Search**
USPC D12/109, 110, 111, 114, 117, 126, 184,
D12/186; D21/432, 458, 538;
180/210–217, 219, 220, 225, 229, 908;
280/103, 124, 152.1–152.3, 288.2, 288.4,
280/304.3, 770, 827, 828, 847, 848;
296/77.1, 78.1, 181.1, 187.01, 187.12,
296/192, 193.01, 193.04, 193.05, 193.09;
446/440
CPC B62D 37/00; B62D 57/00; B62K 9/00;
B62K 11/04; B62K 17/00; B62K 19/48;
B62M 7/12; F02B 61/02; A63H
17/21; B62J 17/00; B62J 17/04; B62J
29/00
See application file for complete search history.

D605,088 S * 12/2009 Tanaka D12/110
D723,979 S * 3/2015 Yu D12/110
D732,436 S * 6/2015 Christoph D12/110
D734,214 S * 7/2015 Honda D12/110
D744,906 S * 12/2015 Song D12/110

OTHER PUBLICATIONS

Harely, Bryan. "2014 Harley-Davidson Softail Slim Comparison." Moto USA., May 13, 2014 [online], [retrieved on Aug. 4, 2016]. Retrieved from the Internet <URL: <http://www.motorcycle-usa.com/2014/05/article/2014-harley-davidson-softail-slim-comparison/>>.*
Harely, Bryan. "2013 Triumph Bonneville Comparison." Moto USA., May 20, 2013 [online], [retrieved on Aug. 4, 2016]. Retrieved from the Internet <URL: <http://www.motorcycle-usa.com/2013/05/article/2013-triumph-bonneville-comparison/>>.*
Harely, Bryan. "2014 Star Bolt Comparison." Moto USA., May 20, 2013 [online], [retrieved on Aug. 4, 2016]. Retrieved from the Internet <URL: <http://www.motorcycle-usa.com/2013/05/article/2014-star-bolt-comparison/>>.*
Wilson, Andrea. "First Look: 2015 Yamaha SR400." Cycle News., May 6, 2014 [online], [retrieved on Aug. 4, 2016]. Retrieved from the Internet <URL: <http://www.cyclenews.com/2014/03/article/first-look-2015-yamaha-sr400/>>.*

* cited by examiner

Primary Examiner — Darlington Ly
(74) *Attorney, Agent, or Firm* — Ostrolenk Faber LLP

(57) **CLAIM**

The ornamental design for a motorcycle, as shown.

DESCRIPTION

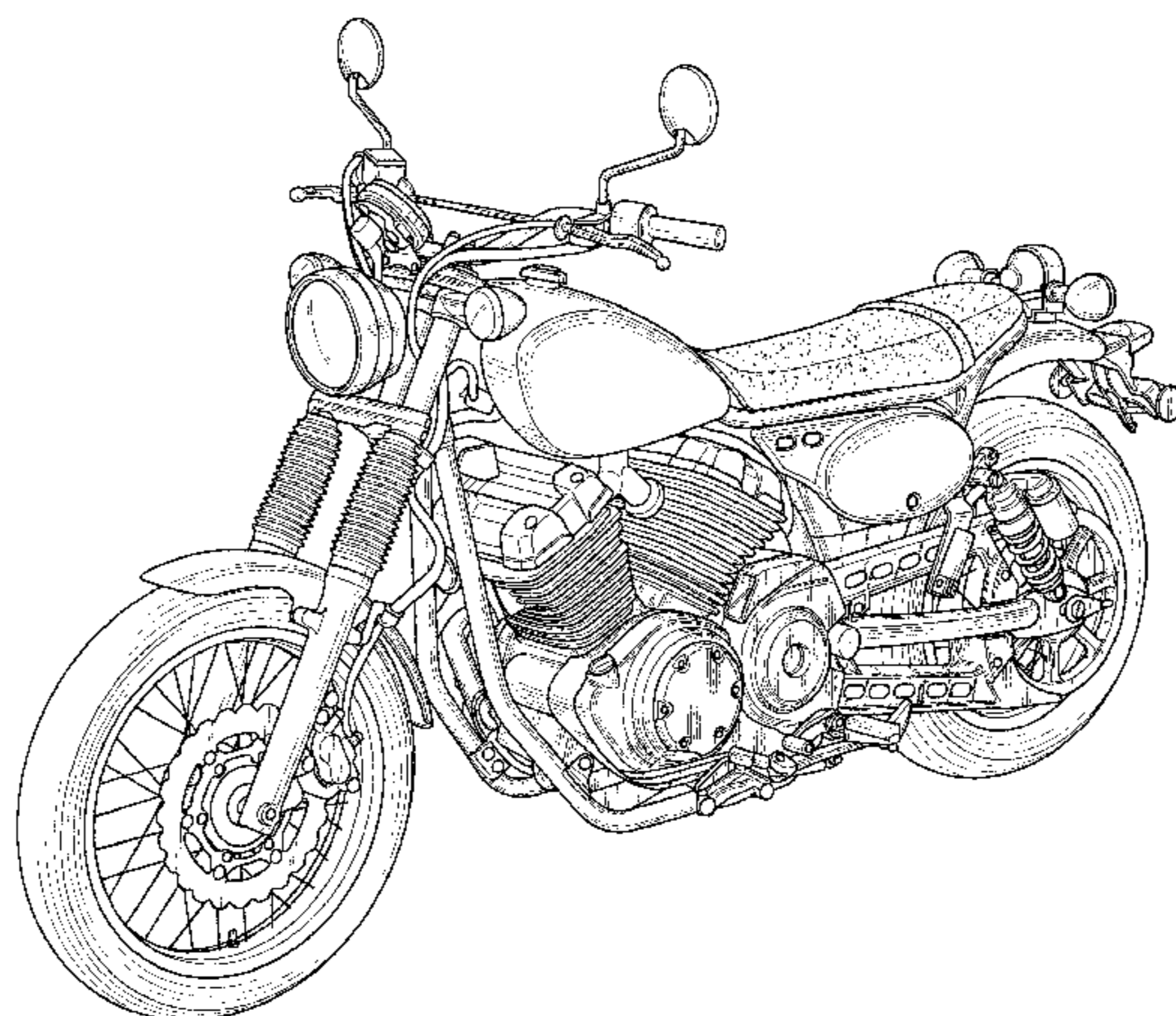
FIG. 1 is a left side, front, perspective view of a motorcycle showing my new design;
FIG. 2 is a right side, rear, perspective view thereof;
FIG. 3 is a front view thereof;
FIG. 4 is a rear view thereof;
FIG. 5 is a right side view thereof;
FIG. 6 is a left side view thereof; and,
FIG. 7 is a top view thereof.

1 Claim, 7 Drawing Sheets

(56) **References Cited**

U.S. PATENT DOCUMENTS

4,809,800 A * 3/1989 Suzuki B62K 11/00
180/219
D333,806 S * 3/1993 Davidson D12/110
D392,601 S * 3/1998 Ban D12/110
D401,892 S * 12/1998 Sugimoto D12/110
D407,047 S * 3/1999 Otsubo D12/110
D447,985 S * 9/2001 Ino D12/110
D506,163 S * 6/2005 Uemoto D12/110
D588,503 S * 3/2009 Idei D12/110



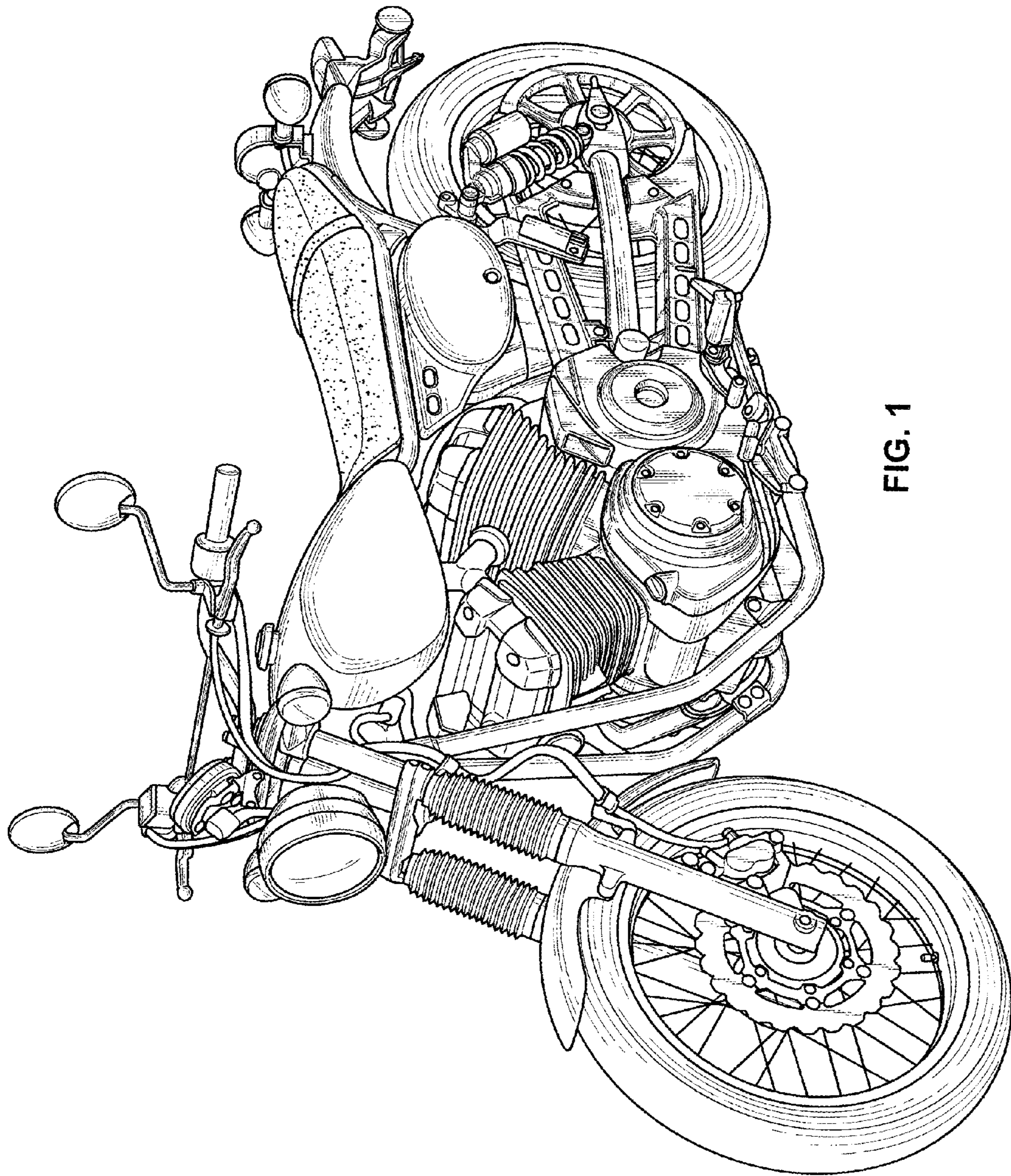


FIG. 1

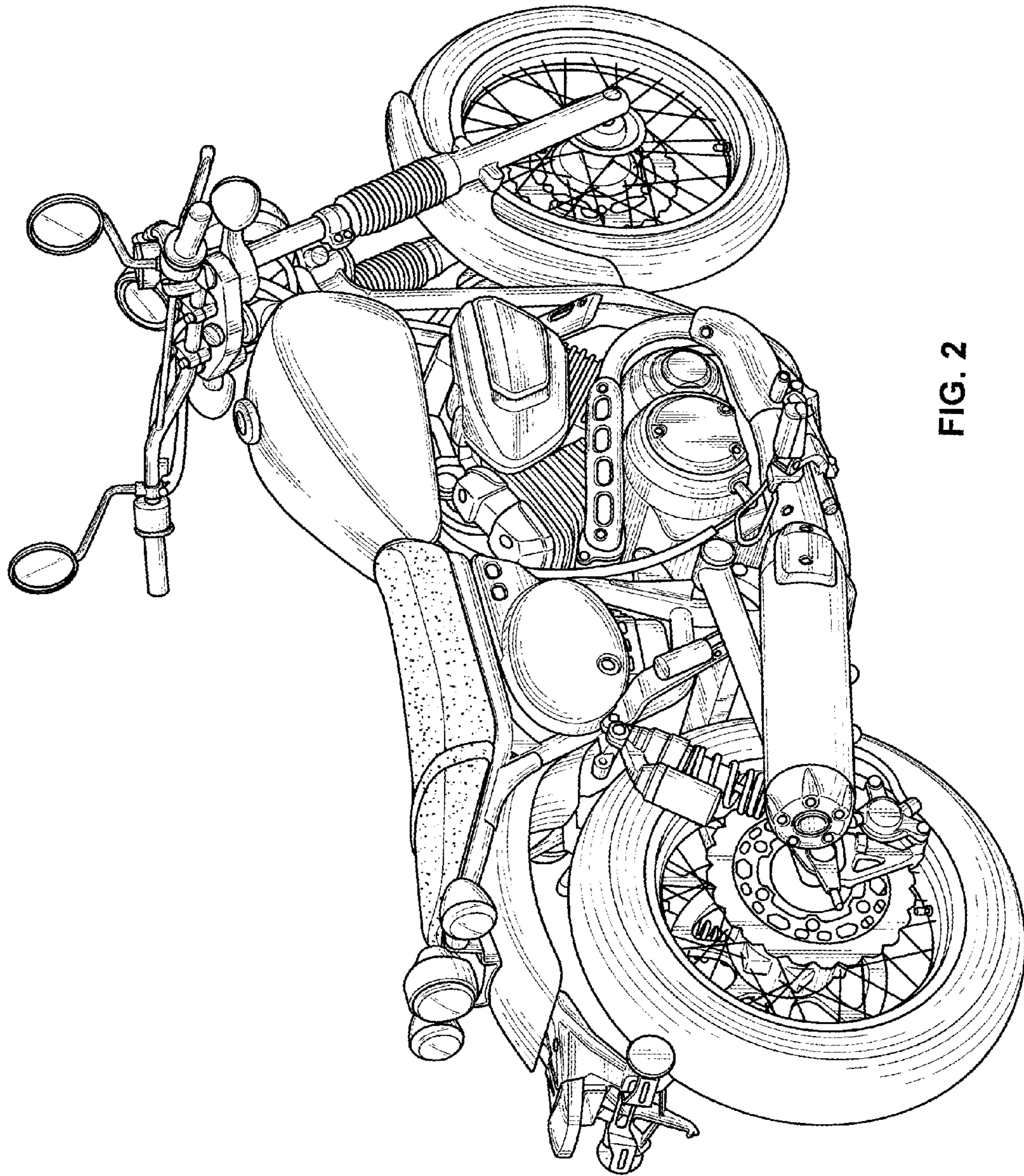


FIG. 2

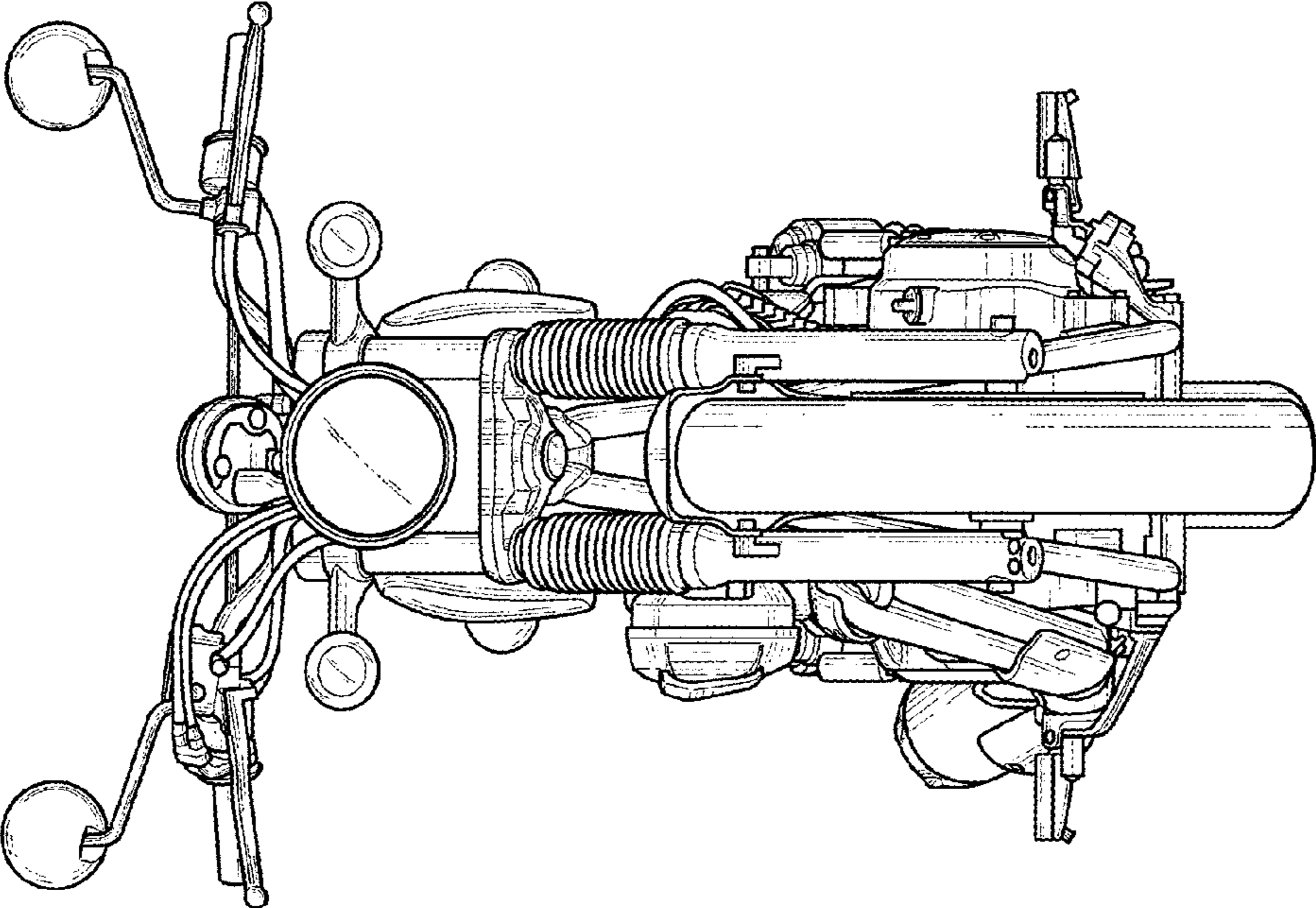


FIG. 3

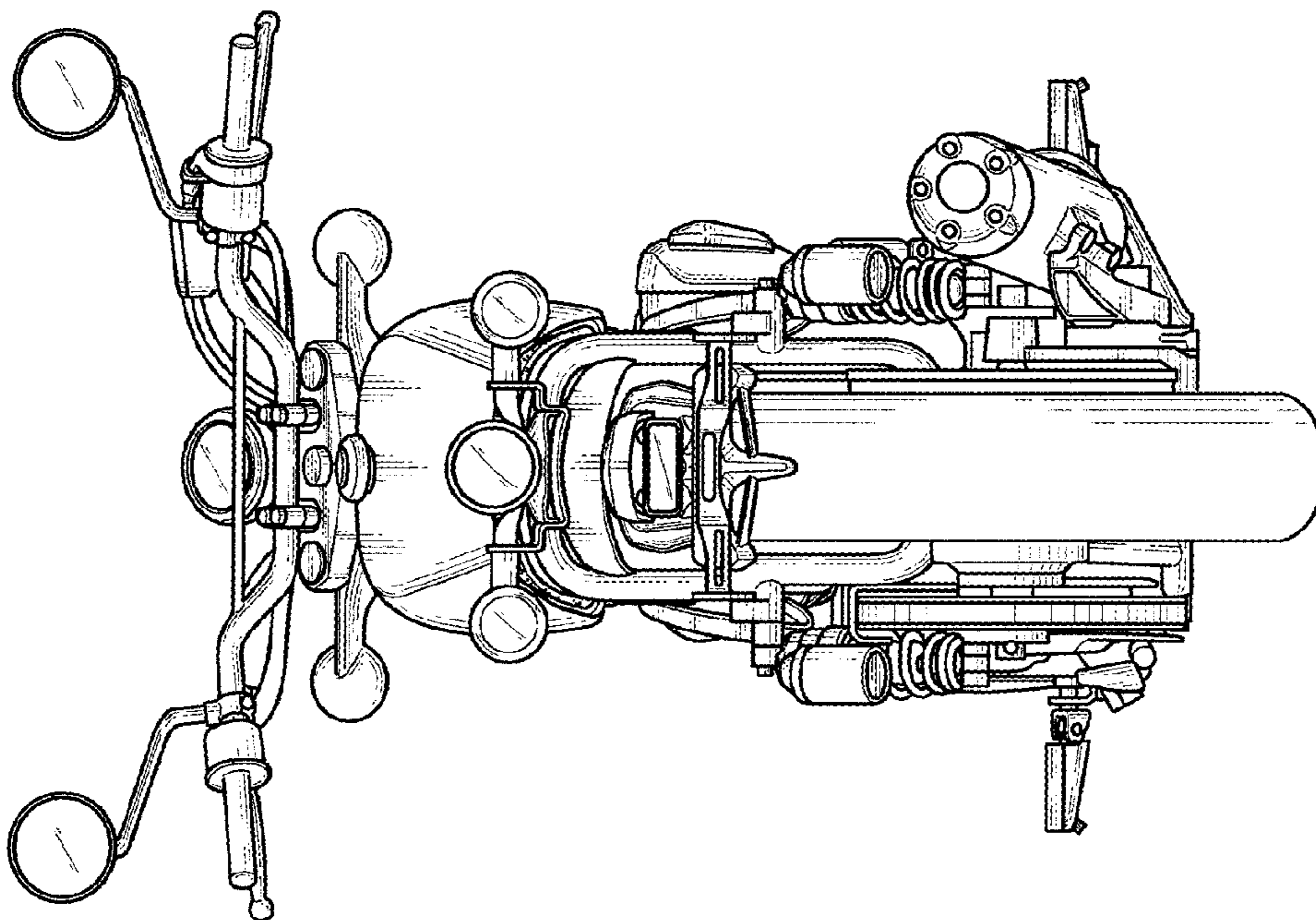


FIG. 4

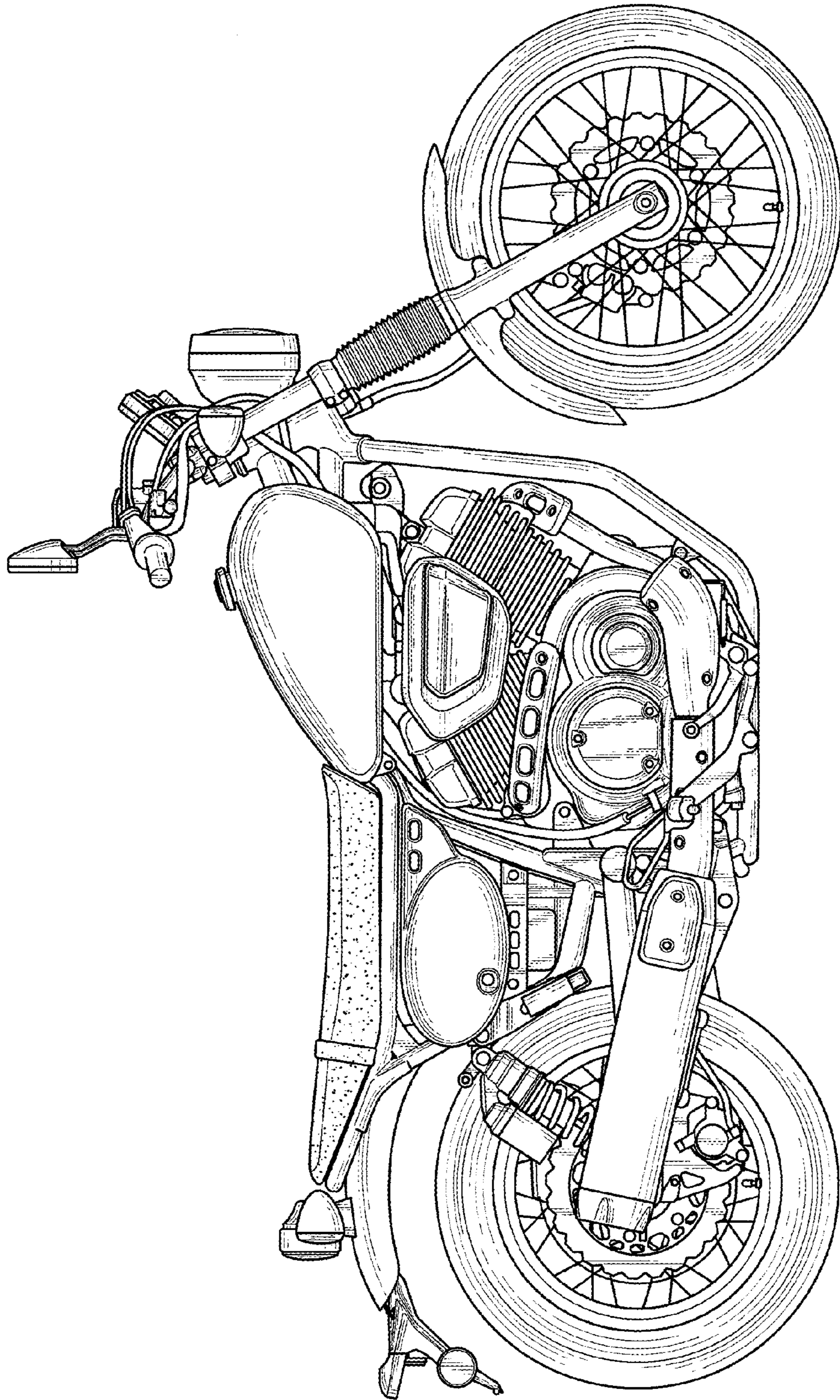


FIG. 5

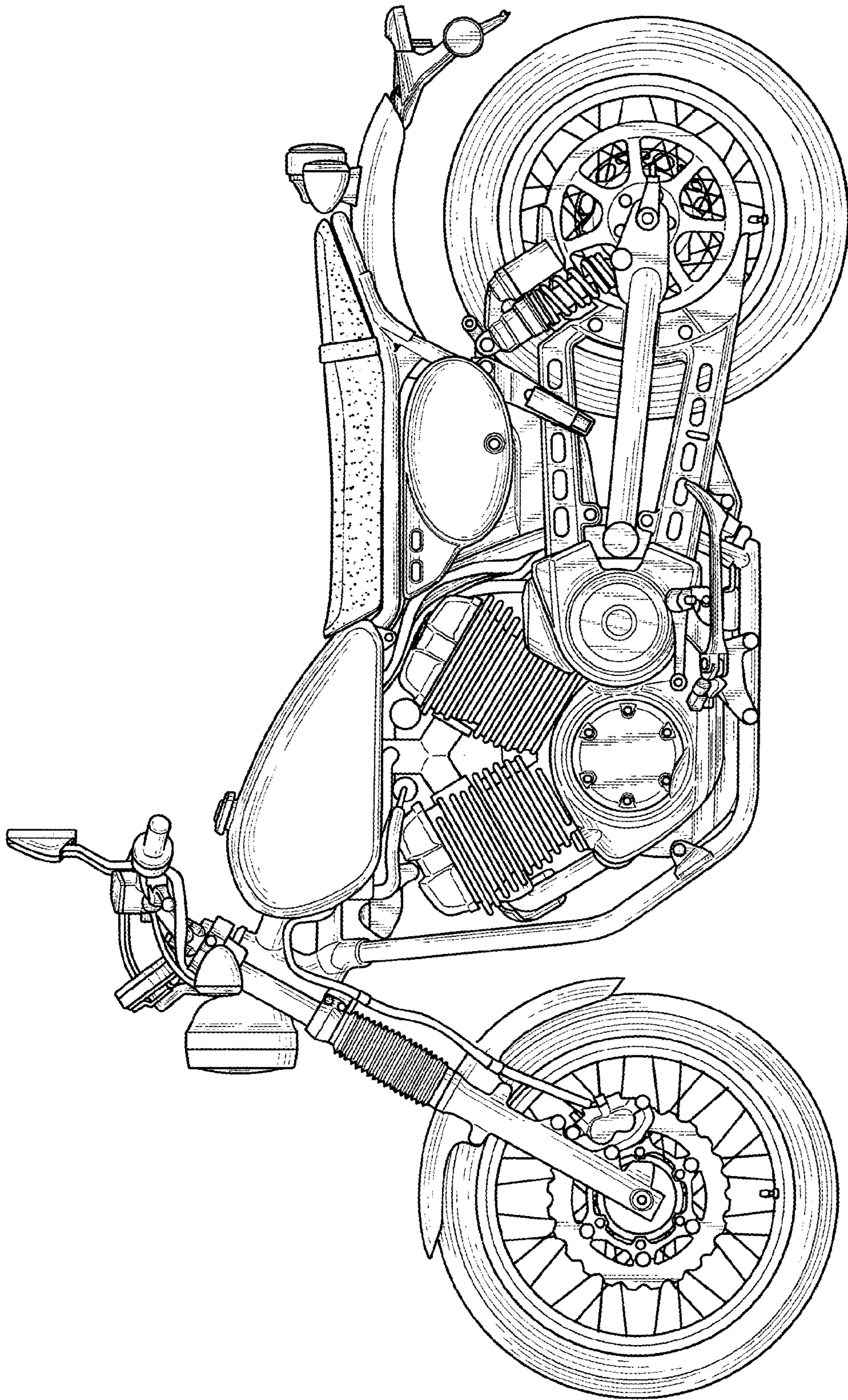


FIG. 6

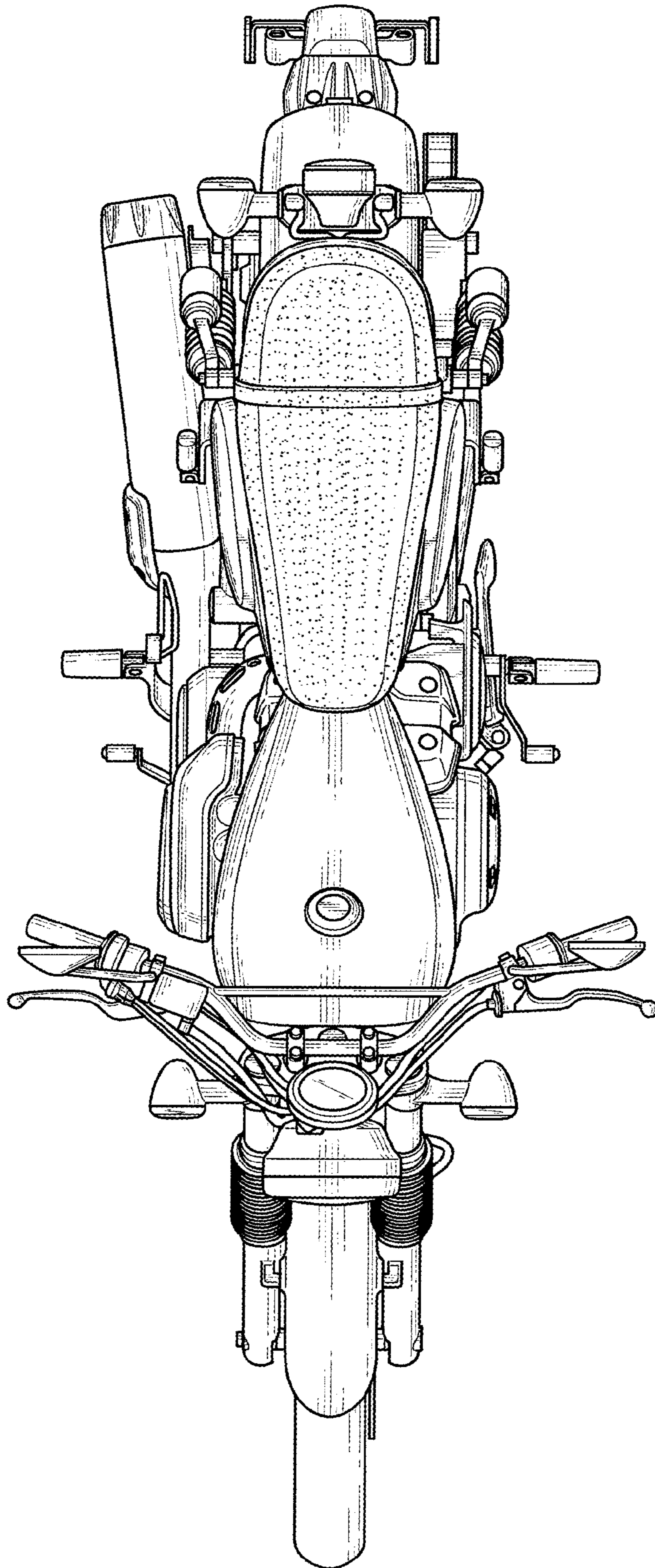


FIG. 7