



US00D774961S

(12) **United States Design Patent** (10) **Patent No.:** **US D774,961 S**
Allen (45) **Date of Patent:** **** Dec. 27, 2016**

(54) **MOTORIZED SCOOTER**

(71) Applicant: **Nathan Howard Allen**, La Canada, CA (US)

(72) Inventor: **Nathan Howard Allen**, La Canada, CA (US)

(**) Term: **14 Years**

(21) Appl. No.: **29/521,418**

(22) Filed: **Mar. 23, 2015**

(51) **LOC (10) Cl.** **12-11**

(52) **U.S. Cl.**

USPC **D12/110; D21/423**

(58) **Field of Classification Search**

USPC D12/109, 110, 111, 114, 117, 126, 184, D12/186; D21/432, 458, 538; 180/210-217, 219, 220, 225, 229, 908; 280/103, 124, 152.1-152.3, 288.2, 288.4, 280/304.3, 770, 827, 828, 847, 848; 296/77.1, 78.1, 181.1, 187.01, 187.12, 296/192, 193.01, 193.04, 193.05, 193.09; 446/440

CPC B62D 37/00; B62D 57/00; B62K 9/00; B62K 11/04; B62K 17/00; B62K 19/48; B62M 7/12; F02B 61/02; A63H 17/21; B62J 17/00; B62J 17/04; B62J 29/00

See application file for complete search history.

(56) **References Cited**

U.S. PATENT DOCUMENTS

1,872,142 A * 8/1932 Holtzman B62K 3/002 280/261
D293,092 S * 12/1987 Yamada D12/110
D414,220 S * 9/1999 Catto D21/423
D433,654 S * 11/2000 Gorvine D12/107
D441,323 S * 5/2001 Cheng D12/111
D445,144 S * 7/2001 Lin D21/423
D449,860 S * 10/2001 Lin D21/423
D450,355 S * 11/2001 Chan D21/423
D456,460 S * 4/2002 Tseng D21/423

D458,563 S * 6/2002 Jones D12/110
D464,002 S * 10/2002 Ho D12/110
D464,379 S * 10/2002 Lin D21/423
D479,285 S * 9/2003 Jung D21/423
D480,662 S * 10/2003 Ou D12/110
D483,078 S * 12/2003 Jung D21/423
D487,908 S * 3/2004 Mayer D21/423
D492,367 S * 6/2004 Dennis D21/423
D494,507 S * 8/2004 Doong D12/111
D508,093 S * 8/2005 Wu D21/421
D513,629 S * 1/2006 Sramek D21/423
D513,772 S * 1/2006 Otis D21/423
D563,484 S * 3/2008 Laatz D21/423
D679,223 S * 4/2013 Loasby D12/110
D693,414 S * 11/2013 Hadley D21/423

OTHER PUBLICATIONS

“Sbyke P16 Skateboard/Bicycle Hybrid.” Brookston., Mar. 29, 2012 [online], [retrieved on Jun. 25, 2016]. Retrieved from the Internet <URL: http://www.brookstone.com/sbyke-p16-skateboard-bicycle-hybrid/877781p.html?bkeid=compare|mercent|googlebaseads|search&adpos=lo7&creative=97619009004&device=c&matchtype=&network=s&gclid=C.*>

(Continued)

Primary Examiner — Darlington Ly

(74) *Attorney, Agent, or Firm* — Karish & Bjorgum, PC

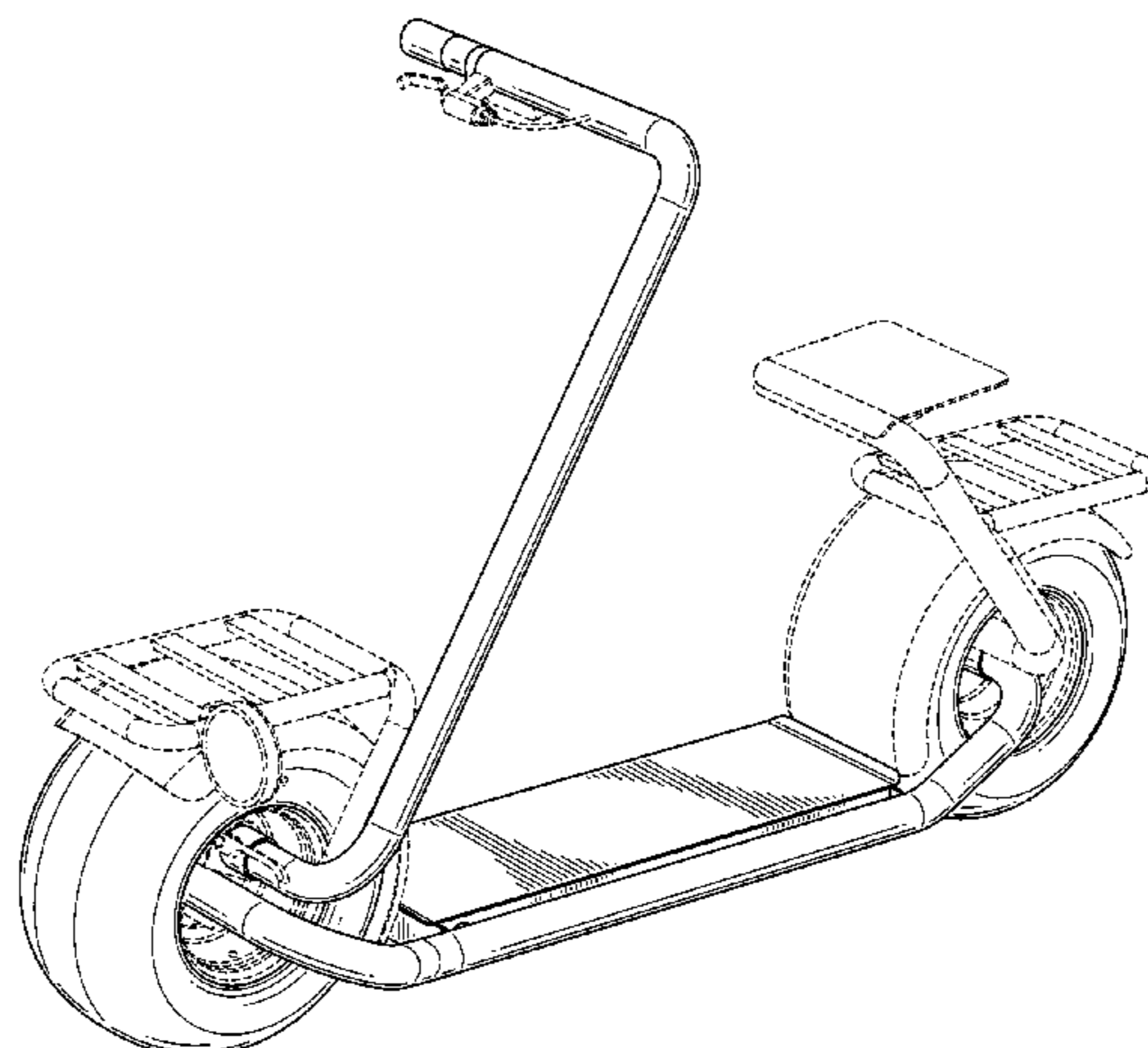
(57) **CLAIM**

The ornamental design for a motorized scooter, as shown and described.

DESCRIPTION

FIG. 1 is a front and left side perspective view of the motorized scooter showing my new design.
FIG. 2 is a front view thereof.
FIG. 3 is a rear view thereof.
FIG. 4 is a top view thereof.
FIG. 5 is a left side view thereof; and,
FIG. 6 is a right side view thereof.

(Continued)



The broken lines in the drawings illustrate portions of the motorized scooter that form no part of the claimed design.

1 Claim, 5 Drawing Sheets

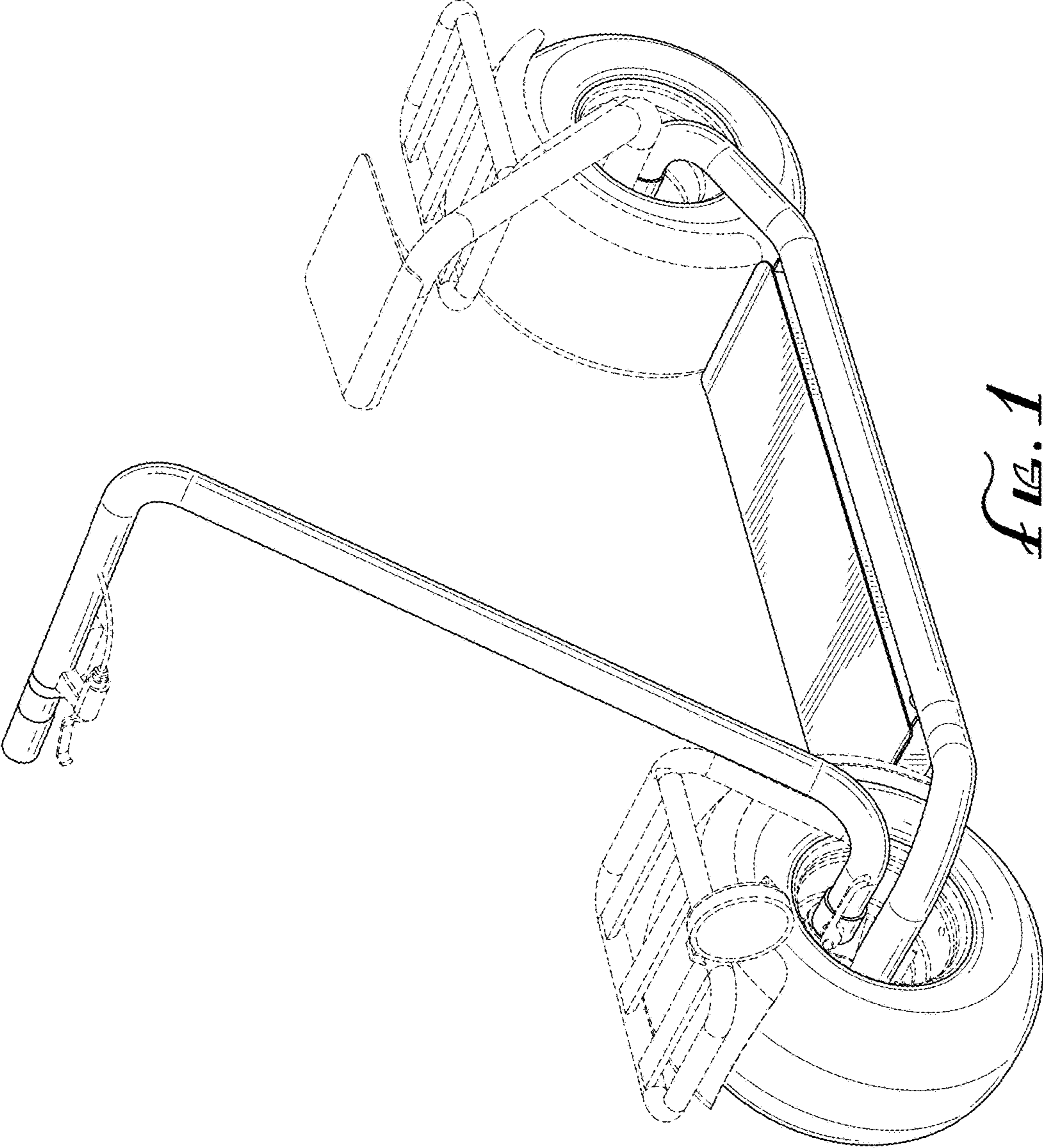
(56) **References Cited**

OTHER PUBLICATIONS

“Scrooser Electric Scooter.” Weezbo., Jul. 6, 2012 [online], [retrieved on Jun. 25, 2016]. Retrieved from the Internet <URL: <http://weezbo.com/scrooser-electric-scooter.html>>.*

“2016 Newest Big Wheel Scooter 2 Wheel City Scooter.” Every China website., Jan. 11, 2016 [online], [retrieved on Jun. 25, 2016]. Retrieved from the Internet <URL: <http://weezbo.com/scrooser-electric-scooter.html>>.*

* cited by examiner



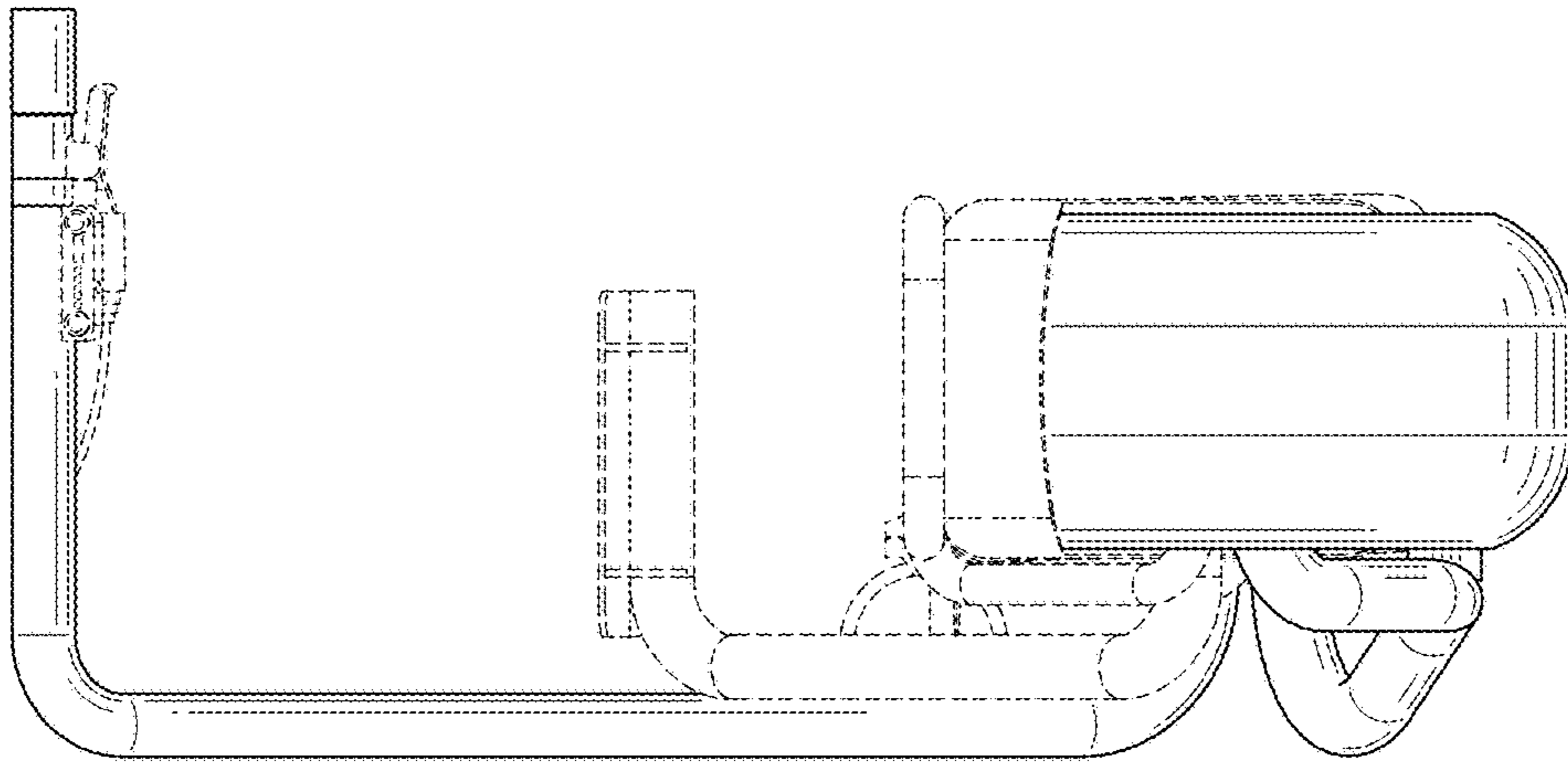


Fig. 3

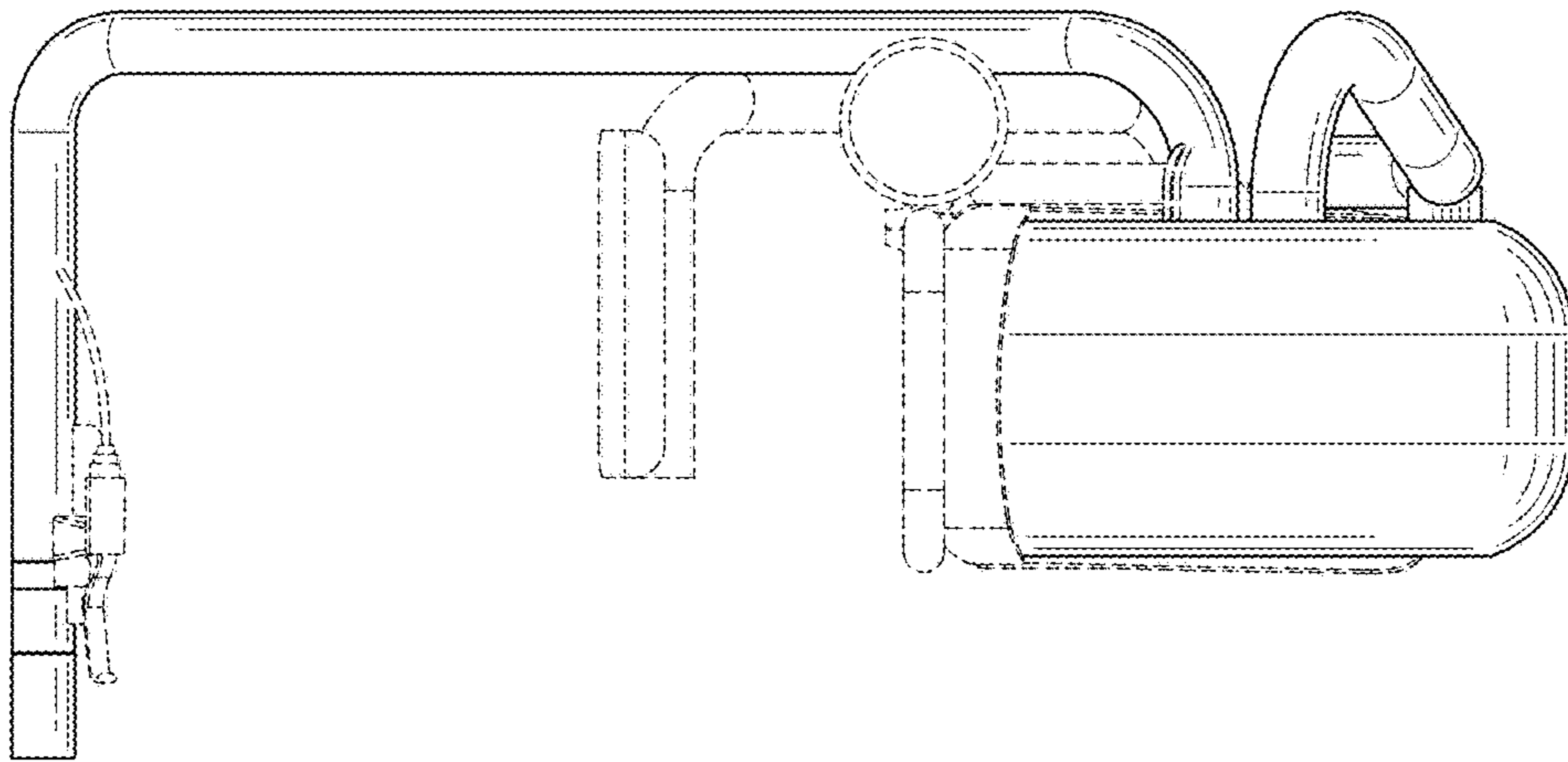


Fig. 2

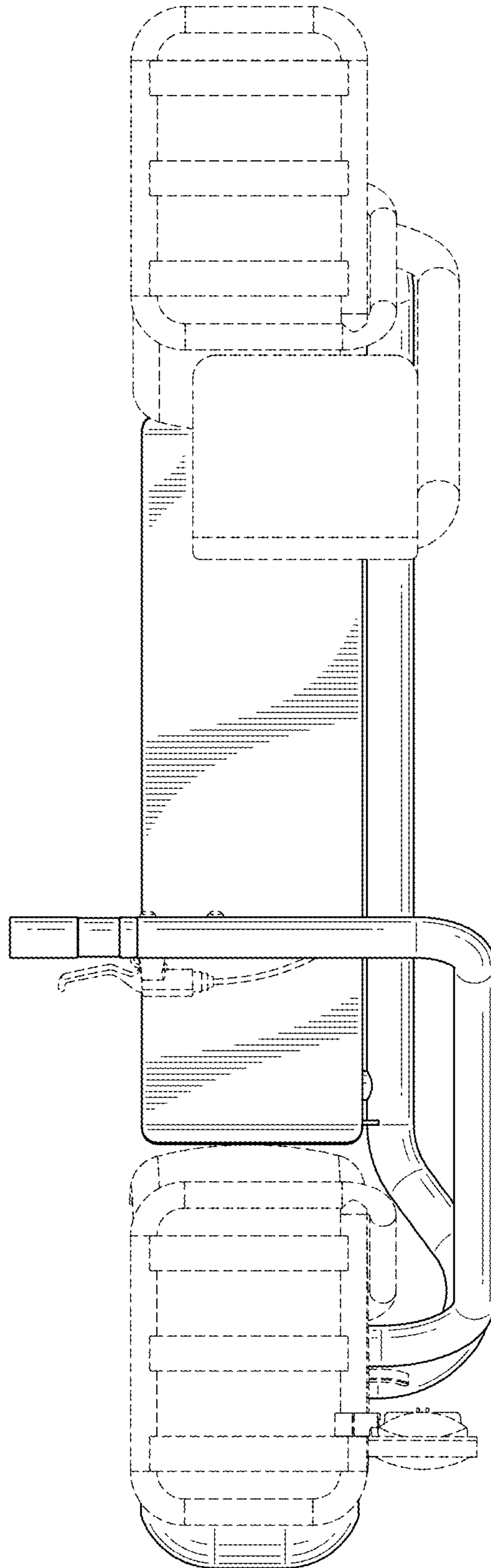


FIG. 4

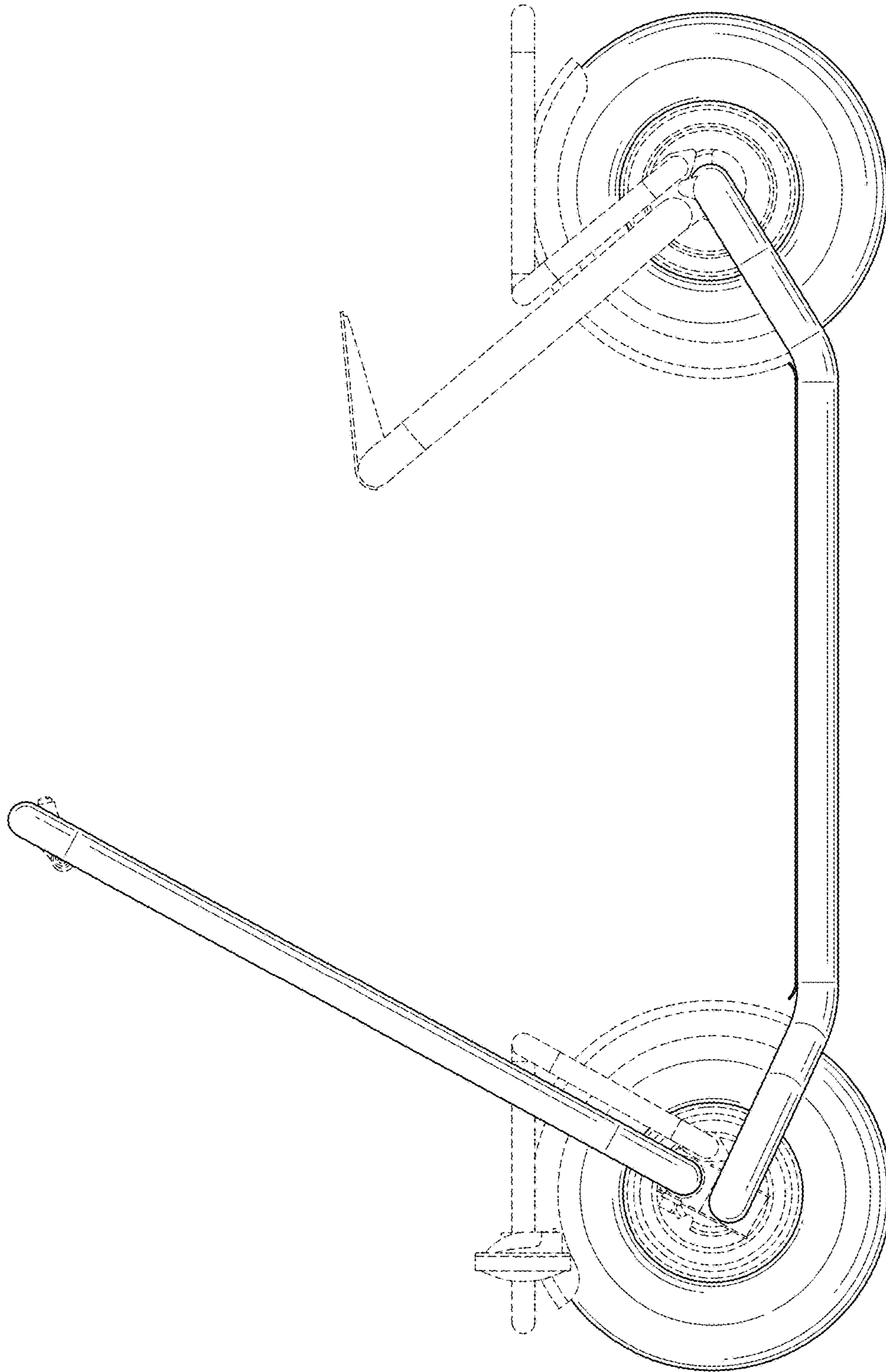


FIG. 5

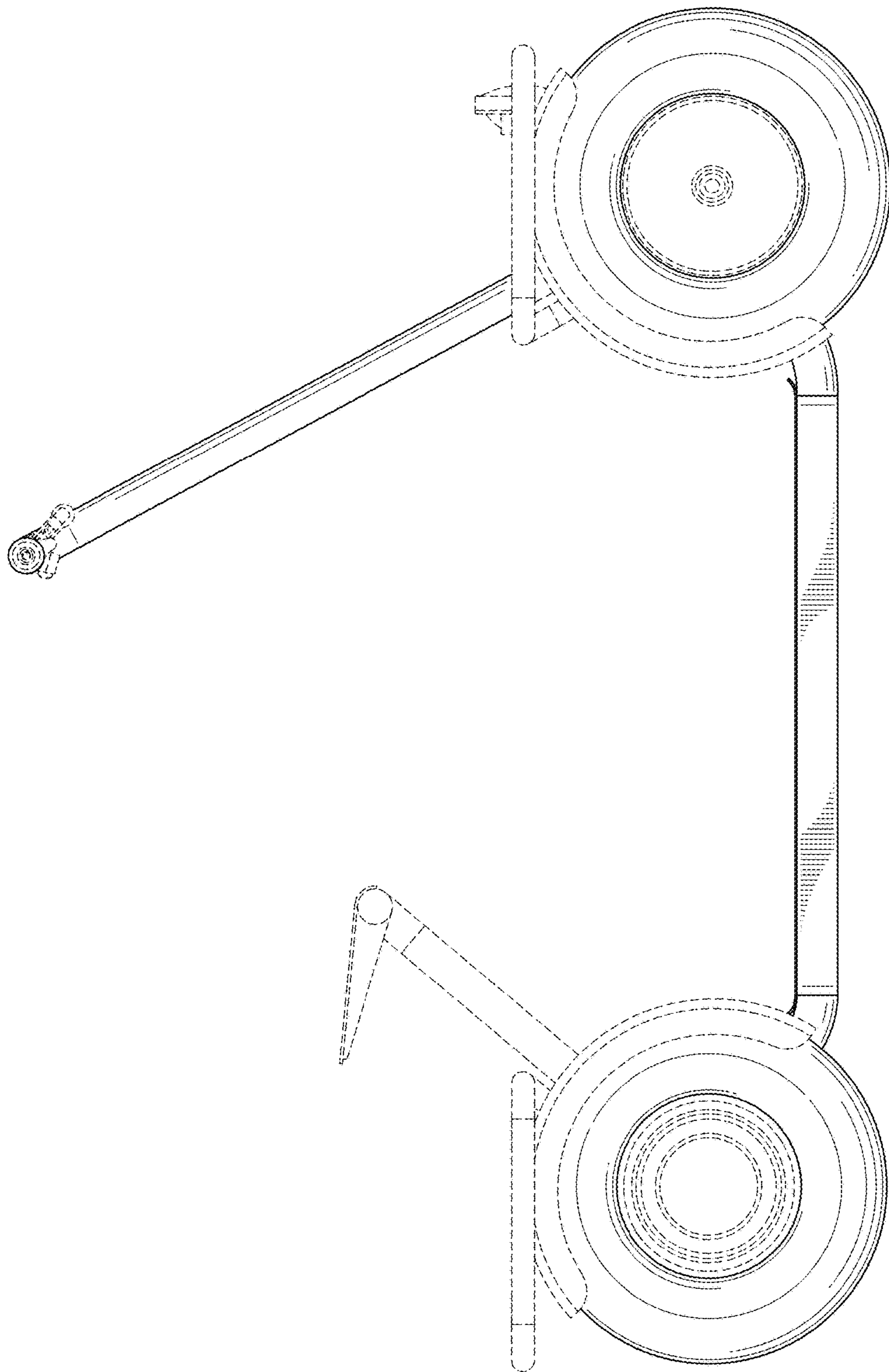


FIG. 10