



US00D774955S

(12) **United States Design Patent**
Lai et al.

(10) **Patent No.:** **US D774,955 S**

(45) **Date of Patent:** **** Dec. 27, 2016**

(54) **ALL-TERRAIN VEHICLE**

(71) Applicant: **Zhejiang CFMOTO Power Co., Ltd.**,
Hangzhou, Zhejiang Province (CN)

(72) Inventors: **Guogui Lai**, Hangzhou (CN);
Zhangping Yuan, Hangzhou (CN);
Yibin Yang, Hangzhou (CN);
Minqiang Xiong, Hangzhou (CN);
Dahua Li, Hangzhou (CN)

(73) Assignee: **Zhejiang CFMOTO Power Co., Ltd.**,
Hangzhou, Zhejiang Province (CN)

(**) Term: **14 Years**

(21) Appl. No.: **29/485,888**

(22) Filed: **Mar. 24, 2014**

(30) **Foreign Application Priority Data**

Dec. 18, 2013 (CN) 2013 3 0631197

(51) **LOC (10) Cl.** **12-11**

(52) **U.S. Cl.**
USPC **D12/107**

(58) **Field of Classification Search**
USPC D12/3, 4, 5, 14, 85, 86, 87, 107, 110;
280/183-185, DIG. 5, 1, 16, 82, 88, 90,
14; 180/233, 908
CPC A01B 59/02; A61G 3/08; B62B 5/04;
B62B 13/10; B62B 19/04; B62B
2202/404; B62C 9/00; B62D 7/22; B62K
5/01; B60K 23/0808

See application file for complete search history.

(56) **References Cited**

U.S. PATENT DOCUMENTS

D374,416 S * 10/1996 Miyamoto et al. D12/107
D513,718 S * 1/2006 Itaya et al. D12/107
D520,914 S * 5/2006 Luh D12/107

D522,924 S * 6/2006 Yokoyama et al. D12/107
D539,705 S * 4/2007 Ichikawa et al. D12/107
D546,246 S * 7/2007 Crepeau et al. D12/107
D585,792 S * 2/2009 Chao et al. D12/107
7,743,864 B2 * 6/2010 Tweet 180/89.1
D620,399 S * 7/2010 Wu et al. D12/107
D628,520 S * 12/2010 Lin D12/107
D643,781 S * 8/2011 Nagao et al. D12/107
D680,468 S * 4/2013 Li et al. D12/107

(Continued)

OTHER PUBLICATIONS

“Suzuki Unveils 2011 KingQuad 500 AXi and 2010 KingQuad 450 AXi.” ATV.com., May 10, 2010 [online], [retrieved on Oct. 31, 2014]. Retrieved from the Internet <URL: <http://www.atv.com/manufacturers/suzuki/suzuki-unveils-2011-kingquad-500-axi-and-2010-kingquad-450-axi-1656.html>>.*

(Continued)

Primary Examiner — Darlington Ly

(74) *Attorney, Agent, or Firm* — Wolf, Greenfield & Sacks, P.C.

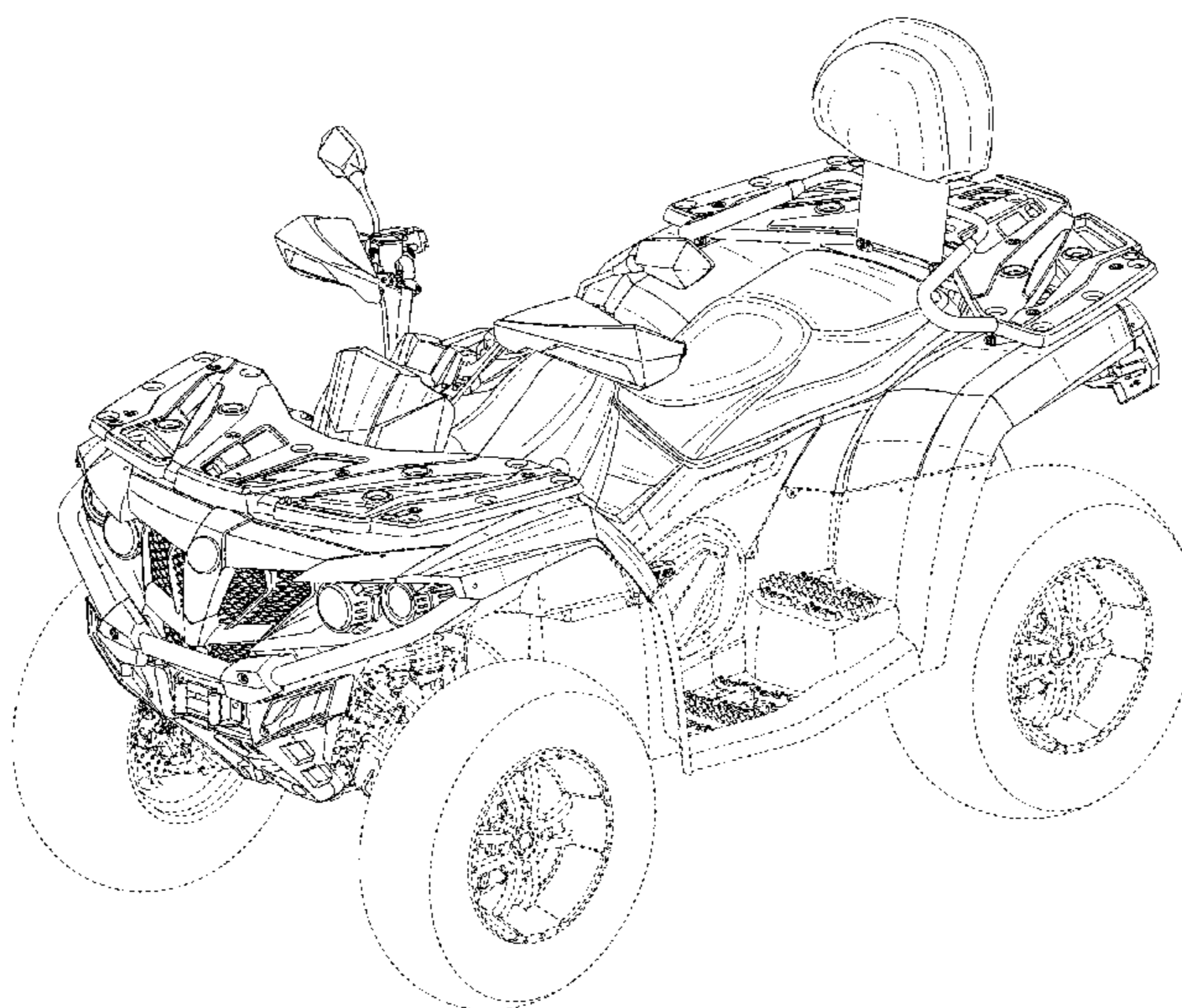
(57) **CLAIM**

The ornamental design for an all-terrain vehicle, as shown and described.

DESCRIPTION

FIG. 1 is a front elevation view of the all-terrain vehicle showing our new design;
FIG. 2 is a rear elevation view thereof;
FIG. 3 is a left-side elevation view thereof;
FIG. 4 is a right-side elevation view thereof;
FIG. 5 is a top plan view thereof;
FIG. 6 is a top, front, and right-side perspective view thereof; and,
FIG. 7 is a top, rear, and left-side perspective view thereof. The broken lines in the drawings illustrate portions of the all-terrain vehicle that form no part of the claimed design.

1 Claim, 7 Drawing Sheets



(56)

References Cited

U.S. PATENT DOCUMENTS

2008/0277184 A1* 11/2008 Marleau 180/312

OTHER PUBLICATIONS

Hilderbrand, J.C. "2010 Honda Rancher AT ATV Review." 4 Wheel Dirt., May 11, 2010 [online], [retrieved on Oct. 31, 2014]. Retrieved from the Internet <URL: <http://www.4wheeldirt.com/2010-honda-rancher-atv-review>>.*

Hilderbrand, J.C. "2012 Honda Foreman ES EPS First Look." Motorcycle USA., Feb. 22, 2011 [online], [retrieved on Oct. 31, 2014]. Retrieved from the Internet <URL: <http://www.motorcycle-usa.com/621/9271/Motorcycle-Article/2012-Honda-Foreman-ES-EPS-First-Look.aspx>>.*

Fargher, Seth. "2013 Kymco MXU 700i Review." ATV.com., Jul. 4, 2012 [online], [retrieved on Oct. 31, 2014]. Retrieved from the Internet <URL: <http://www.atv.com/manufacturers/kymco/2013-kymco-mxu-700i-review-2088.html>>.*

First Office Action dated Jun. 11, 2014 from corresponding Australian Application No. 354393.

Messegeflüster: EICMA 2013, available at: <http://quadfreunde-windeckatvquad-magazin.com/kategorie/modelle-2014/> which has a publication date of Nov. 11, 2013.

Nouveau 2014 | EICMA | CFMOTO CForce 500 2014, available at: <https://www.youtube.com/watch?v=oAhqZn7E5G8> which has a publication date of Nov. 12, 2013.

2014 Cfmoto C-Force 500EFI ATV Walkaround, 2013 EICMA Milano Motorcycle Exhibition, available at: <http://www.youtube.com/watch?v=vZppbP-bROc> which has a publication date of Nov. 13, 2013.

* cited by examiner

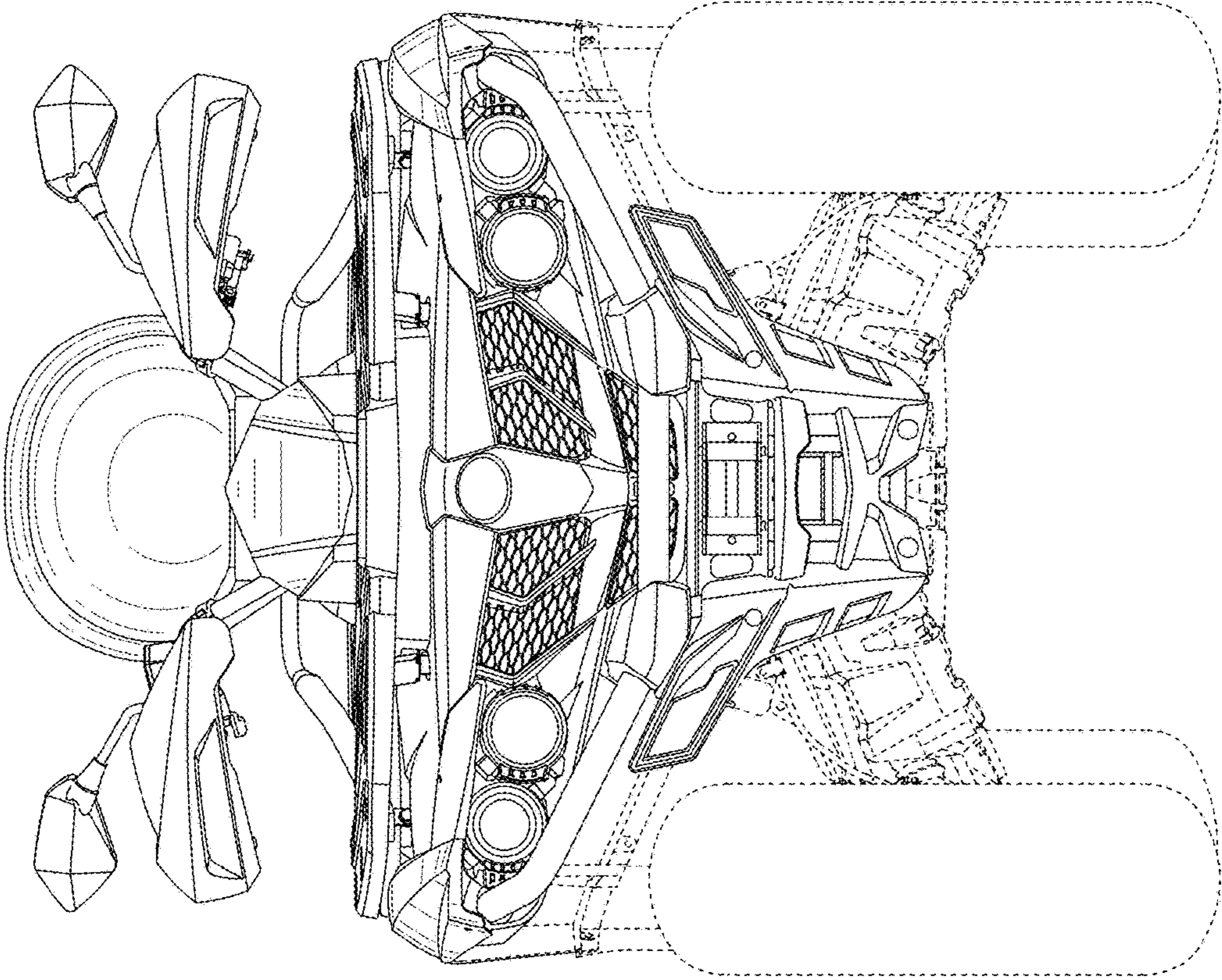


FIG. 1

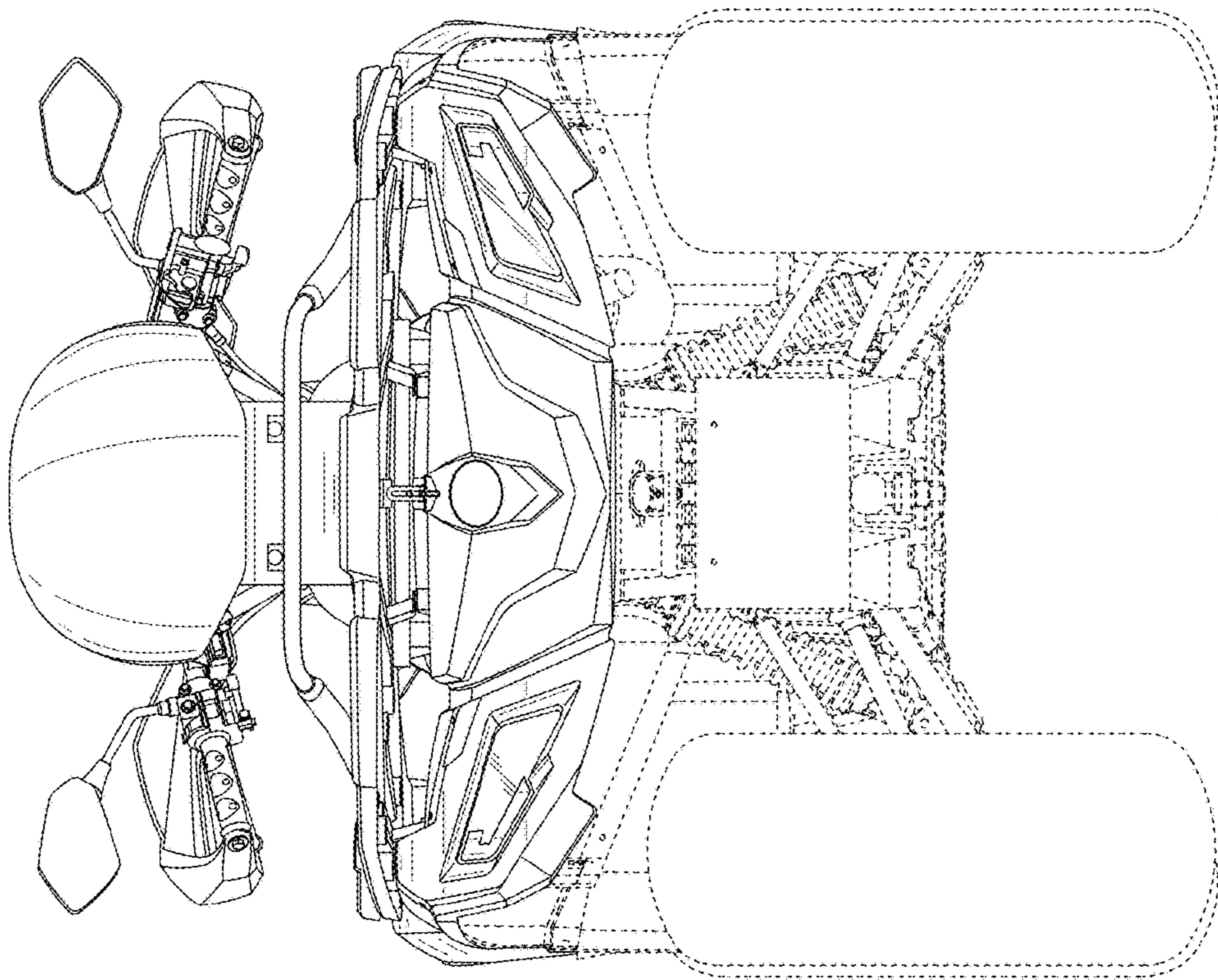


FIG. 2

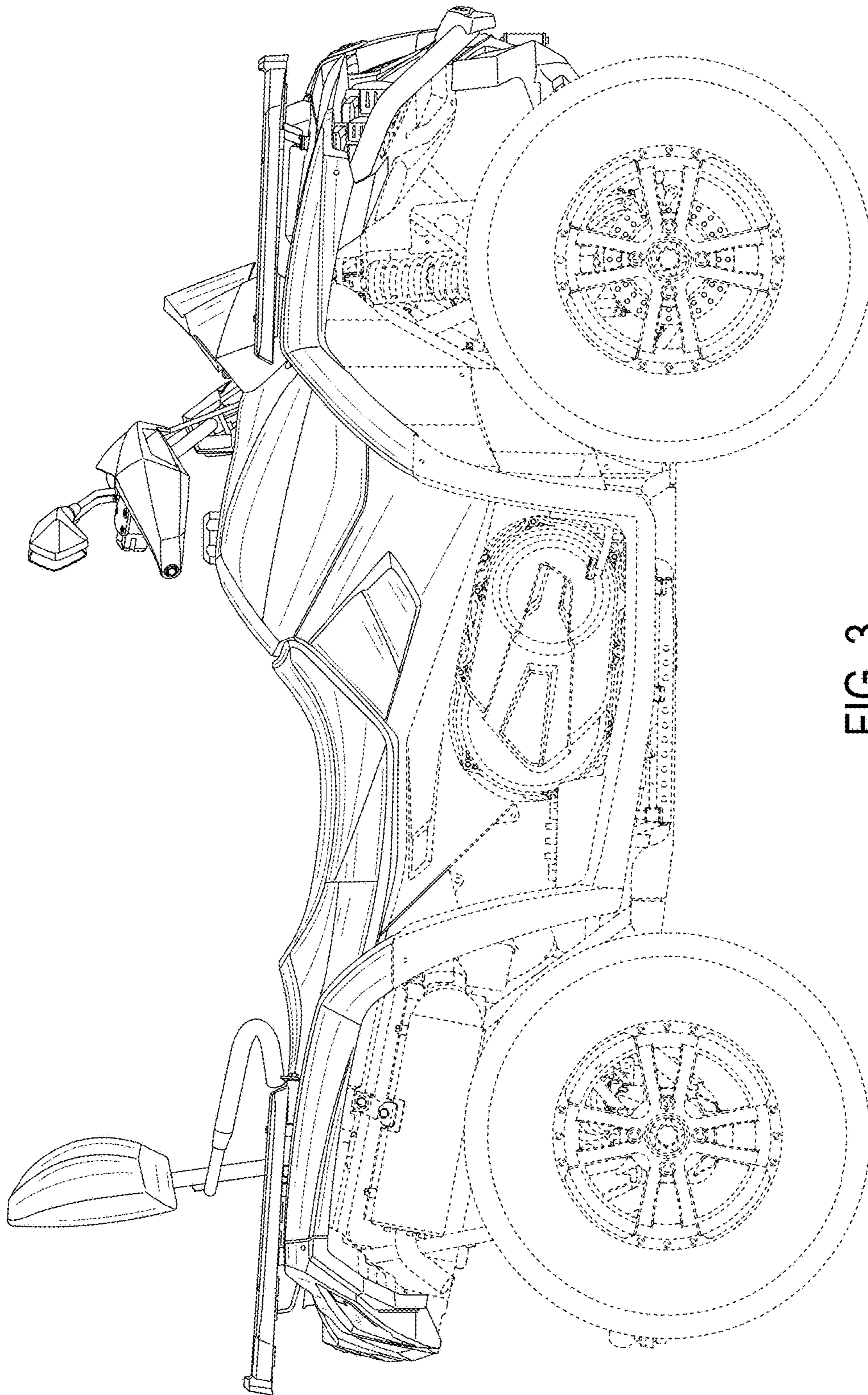


FIG. 3

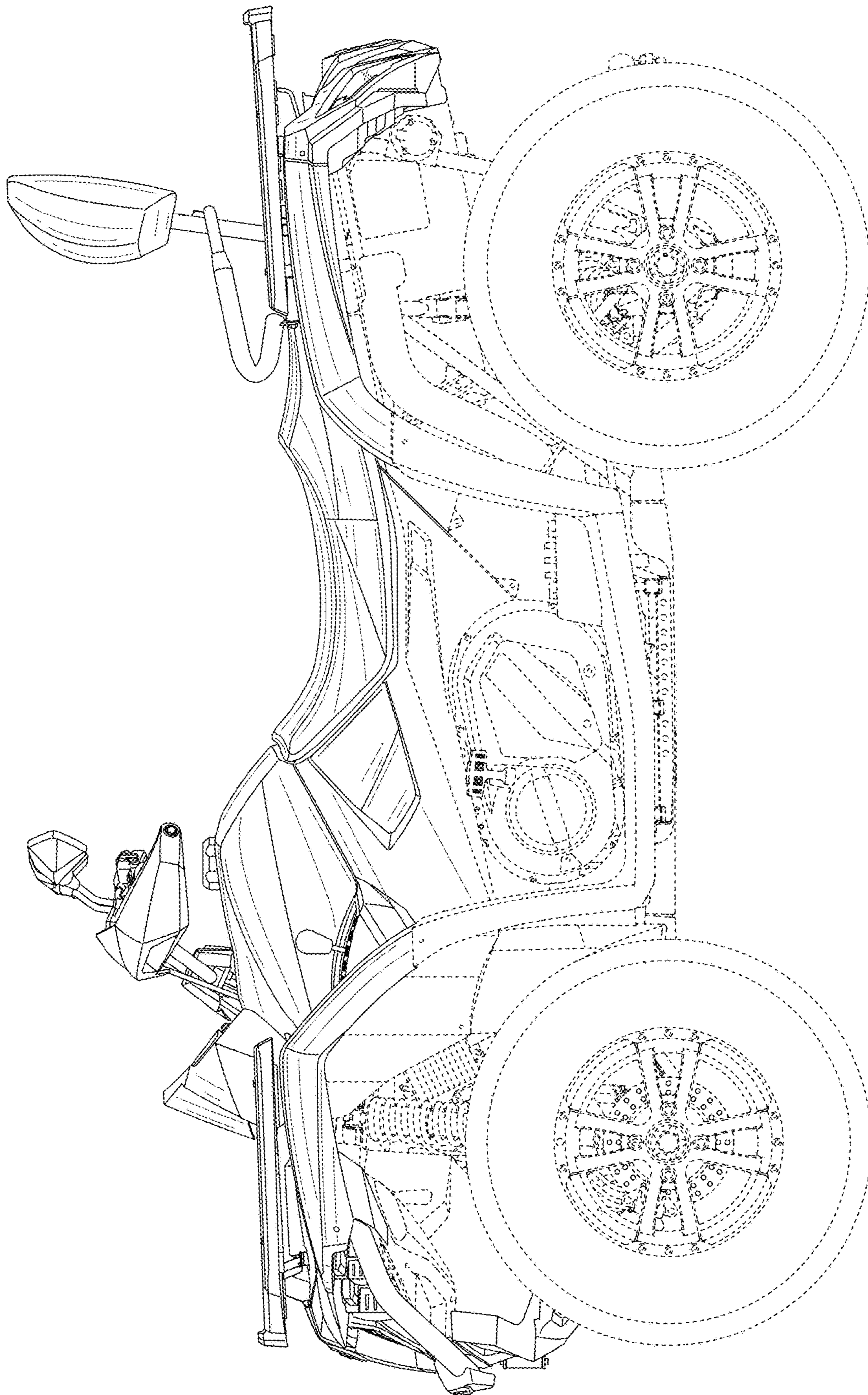


FIG. 4

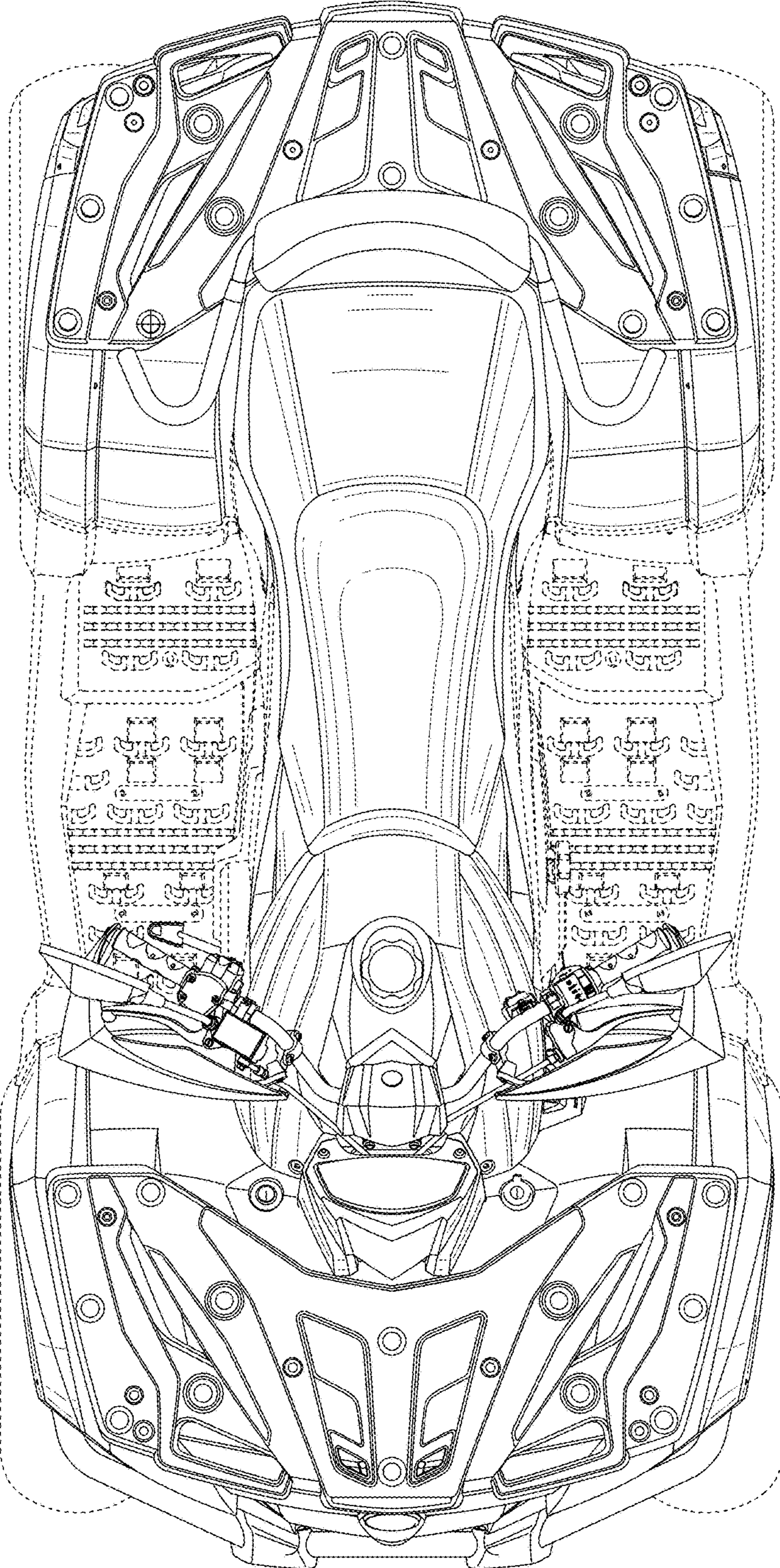


FIG. 5

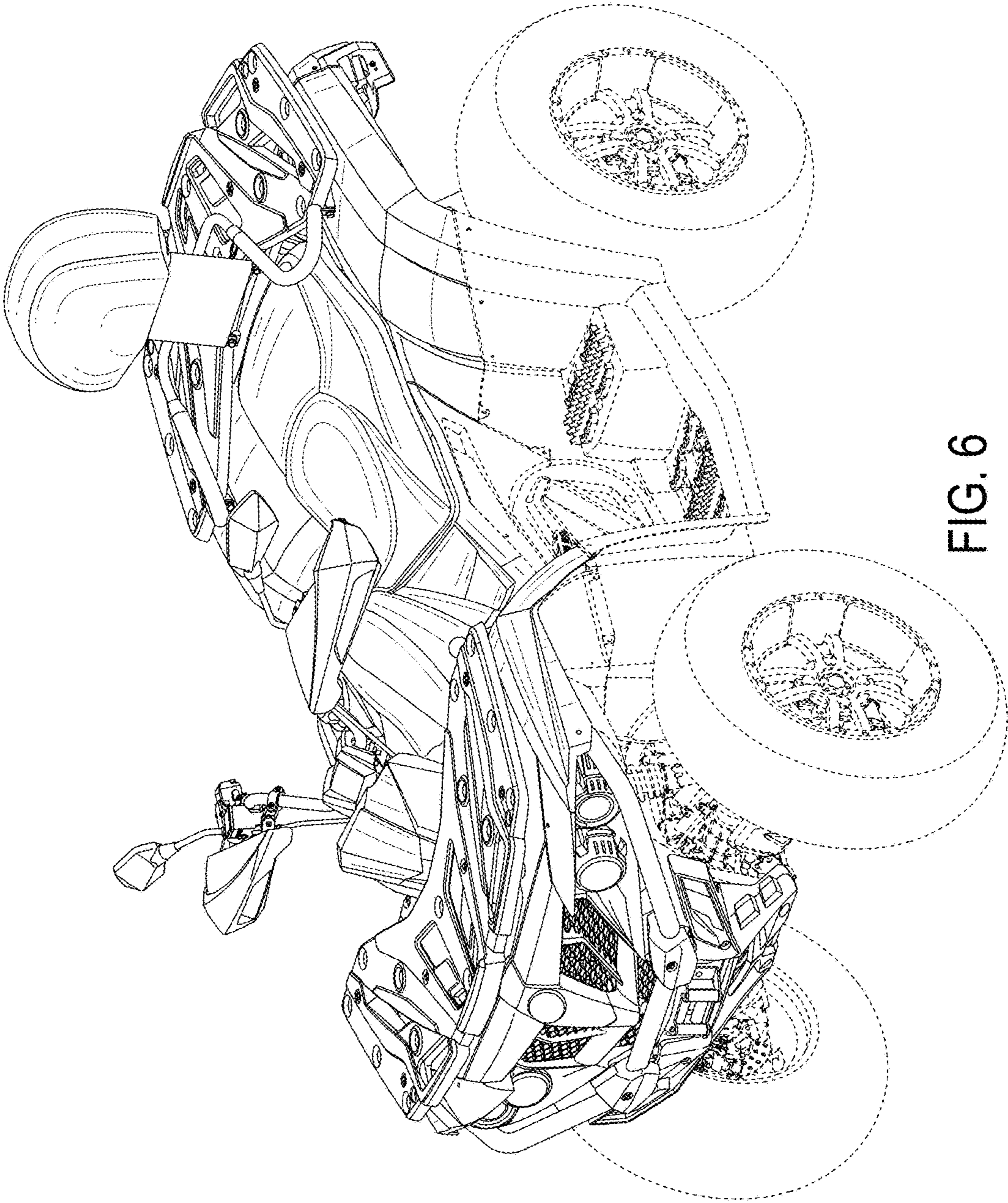


FIG. 6

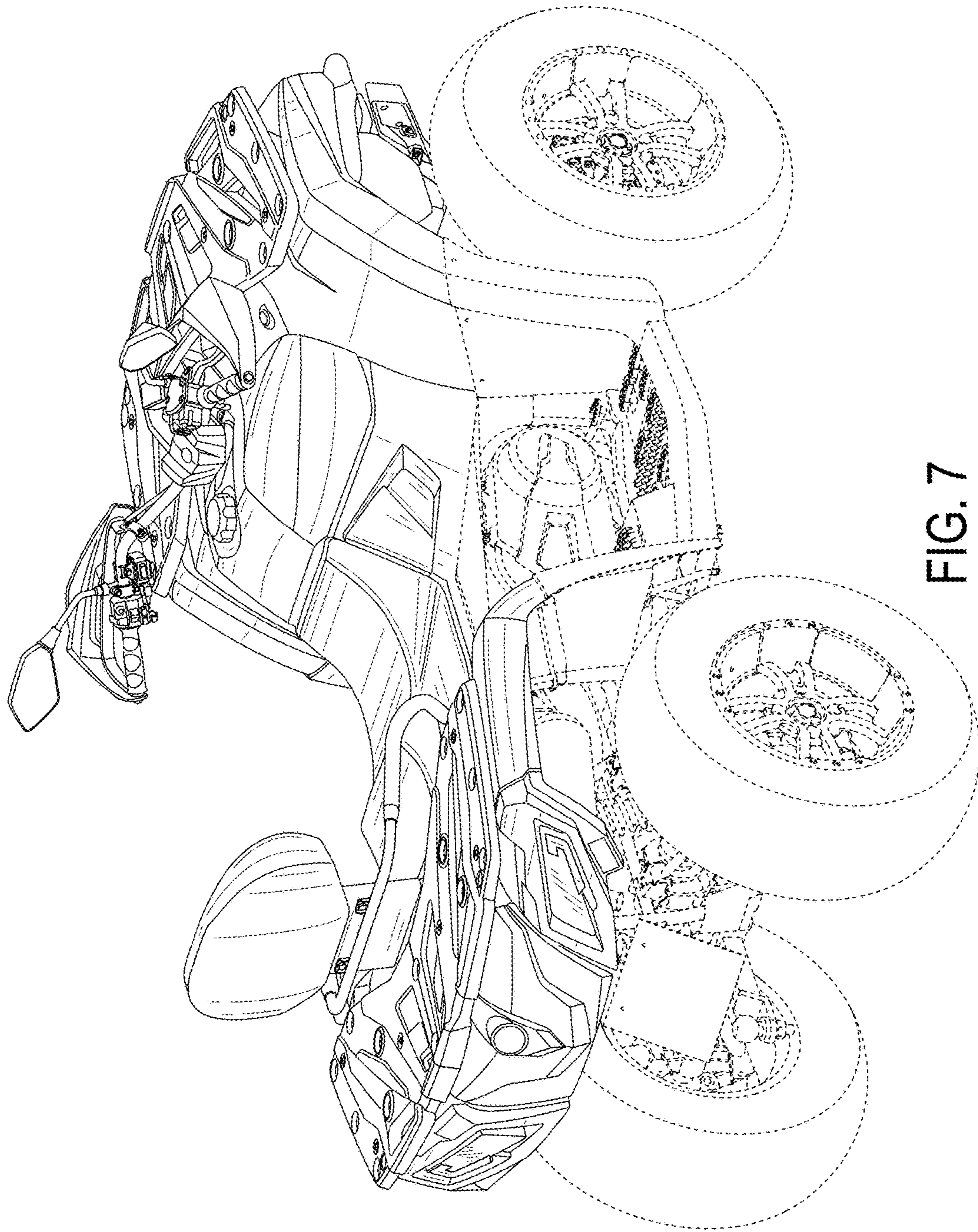


FIG. 7