



US00D774954S

(12) **United States Design Patent** (10) **Patent No.:** **US D774,954 S**
Studebaker, Jr. (45) **Date of Patent:** **** Dec. 27, 2016**

- (54) **FLATBED TRAILER NECK**
- (71) Applicant: **Robert L. Studebaker, Jr.**, Tulsa, OK (US)
- (72) Inventor: **Robert L. Studebaker, Jr.**, Tulsa, OK (US)
- (**) Term: **14 Years**
- (21) Appl. No.: **29/515,698**
- (22) Filed: **Jan. 26, 2015**
- (51) **LOC (10) Cl.** **12-10**
- (52) **U.S. Cl.**
USPC **D12/101**; D12/106
- (58) **Field of Classification Search**
USPC D12/101, 104, 106, 162; 280/43.18, 280/43.23, 788, 789; 414/474, 476, 482, 414/484, 485, 494
CPC B60D 1/01; B60D 1/015; B60D 1/28
See application file for complete search history.

- D758,254 S * 6/2016 Woller, Jr. D12/106
- 2004/0070171 A1 * 4/2004 Freeman B62D 53/0828 280/441.2
- 2010/0140899 A1 * 6/2010 McCoy B60D 1/06 280/441.2

(Continued)

OTHER PUBLICATIONS

Big Tex Trailers. "22GN HD Gooseneck Trailer." YouTube., Oct. 2, 2014 [online], [retrieved on Jul. 10, 2016]. Retrieved from the Internet <URL: <https://www.youtube.com/watch?list=UUK5r46uyqCDuEp7ff0LFGMw&v=EDCZigNYahg>>.*

(Continued)

Primary Examiner — Darlington Ly
(74) *Attorney, Agent, or Firm* — Frederic Dorwart
Lawyers; Penina Michlin Chiu

(57) **CLAIM**

The ornamental design for a flatbed trailer neck, as shown and described.

DESCRIPTION

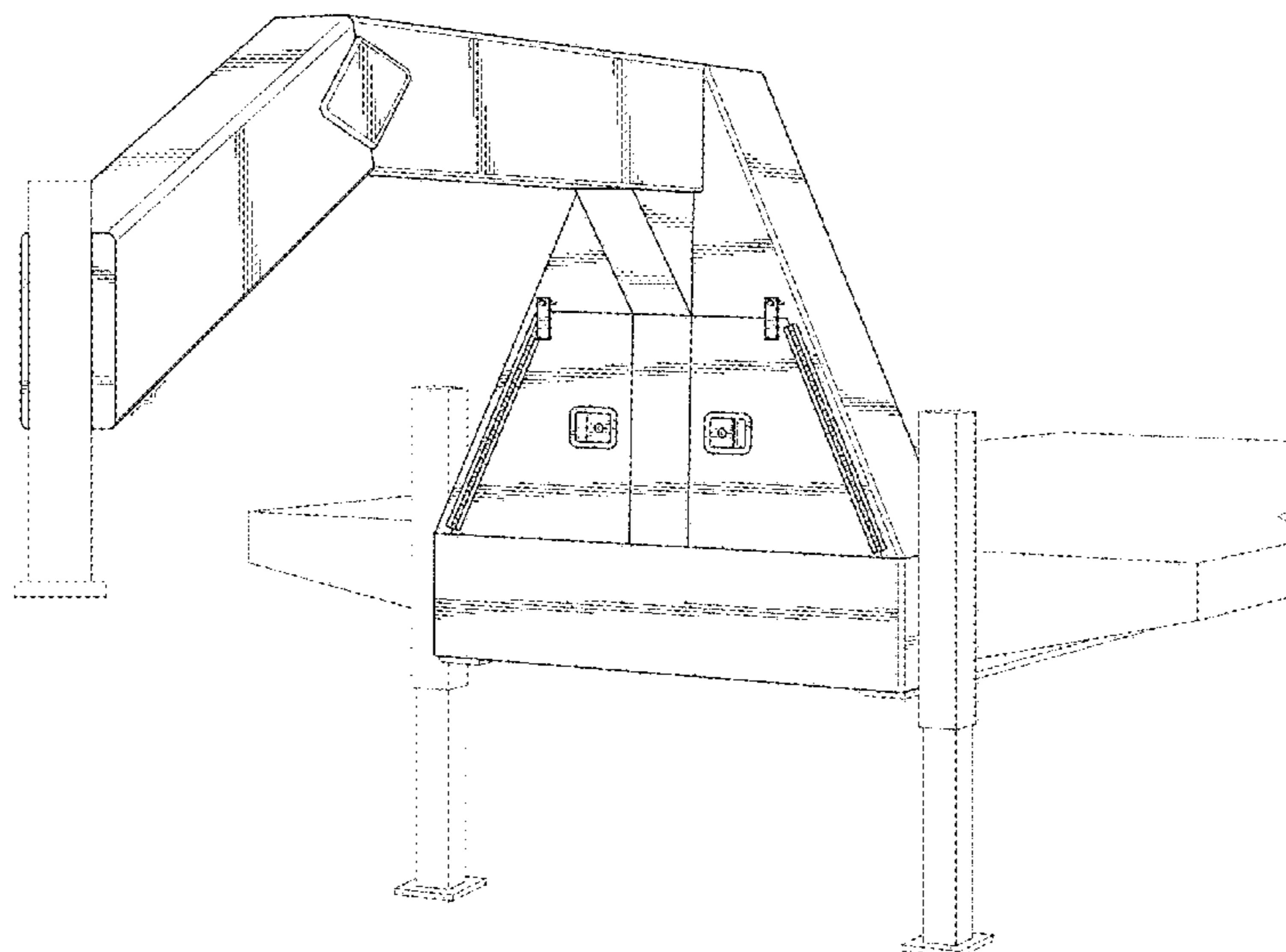
FIG. 1 is a perspective view of a flatbed trailer neck showing my new design.
FIG. 2 is a front elevation view of the flatbed trailer neck of FIG. 1.
FIG. 3 is a rear elevation view of the flatbed trailer neck of FIG. 1.
FIG. 4 is a right side view of the flatbed trailer neck of FIG. 1, where the left side view is a mirror image thereof.
FIG. 5 is a top plan view of the flatbed trailer neck of FIG. 1; and,
FIG. 6 is a bottom plan view of the flatbed trailer neck of FIG. 1.
The broken lines in the Figures depict environmental subject matter only and form no part of the claimed design.

1 Claim, 6 Drawing Sheets

(56) **References Cited**

U.S. PATENT DOCUMENTS

- 3,800,966 A * 4/1974 Newton B66C 3/20 280/423.1
- 3,896,949 A * 7/1975 Shipley B60P 3/127 280/402
- D253,654 S * 12/1979 Davis D12/101
- D264,453 S * 5/1982 Francis D12/101
- D288,912 S * 3/1987 Lucas D12/101
- 4,728,114 A * 3/1988 Bills B62D 53/065 280/425.2
- D300,416 S * 3/1989 Britten D12/101
- D322,948 S * 1/1992 DeMichele D12/101
- D376,336 S * 12/1996 Unruh D12/101
- D442,891 S * 5/2001 McCafferty D12/101
- D443,560 S * 6/2001 McCafferty D12/101
- D483,299 S * 12/2003 McCafferty D12/101
- D658,549 S * 5/2012 Neumann D12/106
- D744,379 S * 12/2015 Penner D12/106



(56)

References Cited

U.S. PATENT DOCUMENTS

2012/0205895 A1* 8/2012 Skalbeck B60D 1/28
280/507

OTHER PUBLICATIONS

“7x20 Gooseneck Flatbed Equipment Trailer—14000 GVW.” Pro-Line Trailers., Jan. 29, 2014 [online], [retrieved on Jul. 10, 2016]. Retrieved from the Internet <URL: <https://www.prolinetrailersales.com/open-trailers/gooseneck-equipment-trailers/7x20-gooseneck-flatbed-equipment-trailer-2>>.*

Stuebaker, Robert L., Jr., “Red Rhino Beast” taken from <http://redrhinotrailers.com/redrhinobeastflatbedtrailer.html> as archived at <https://archive.org/web/>, Feb. 14, 2013, 5 pages.

Stuebaker, Robert L., Jr., “Gooseneck Trailers” taken from <http://redrhinotrailers.com/#gooseneckflatbedtrailers> as archived at <https://archive.org/web/>, May 9, 2008, 14 pages.

Stuebaker, Robert L., Jr., “Hydraulic Dovetail Trailers” taken from <http://redrhinotrailers.com/#hydraulicDovetailTrailers> as archived at <https://archive.org/web/>, Jan. 15, 2013, 2 pages.

Stuebaker, Robert L., Jr., “Car Hauler” taken from <http://redrhinotrailers.com/#carHaulers> as archived at <https://archive.org/web/>, Jan. 15, 2013, 2 pages.

* cited by examiner

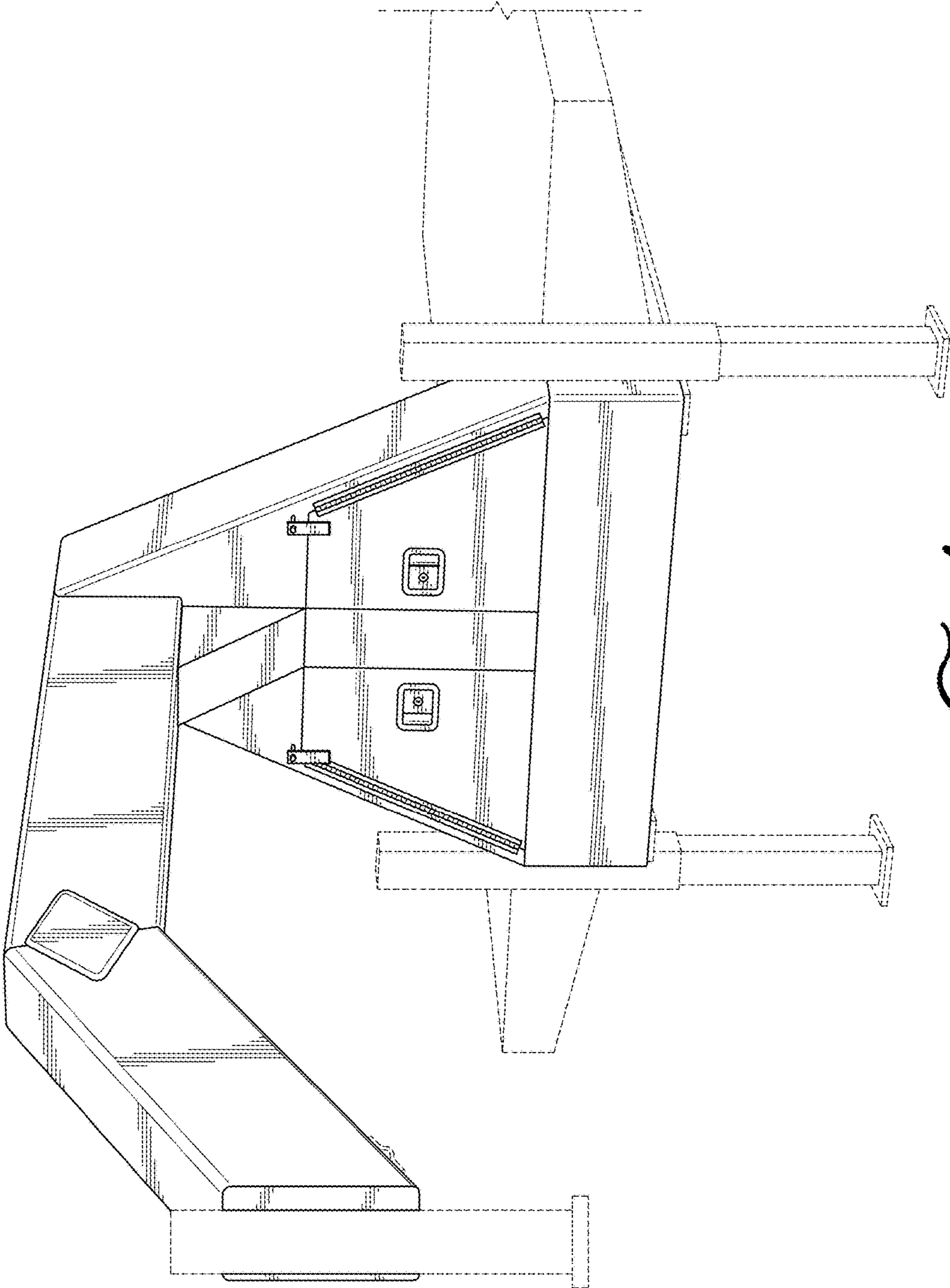


FIG. 1

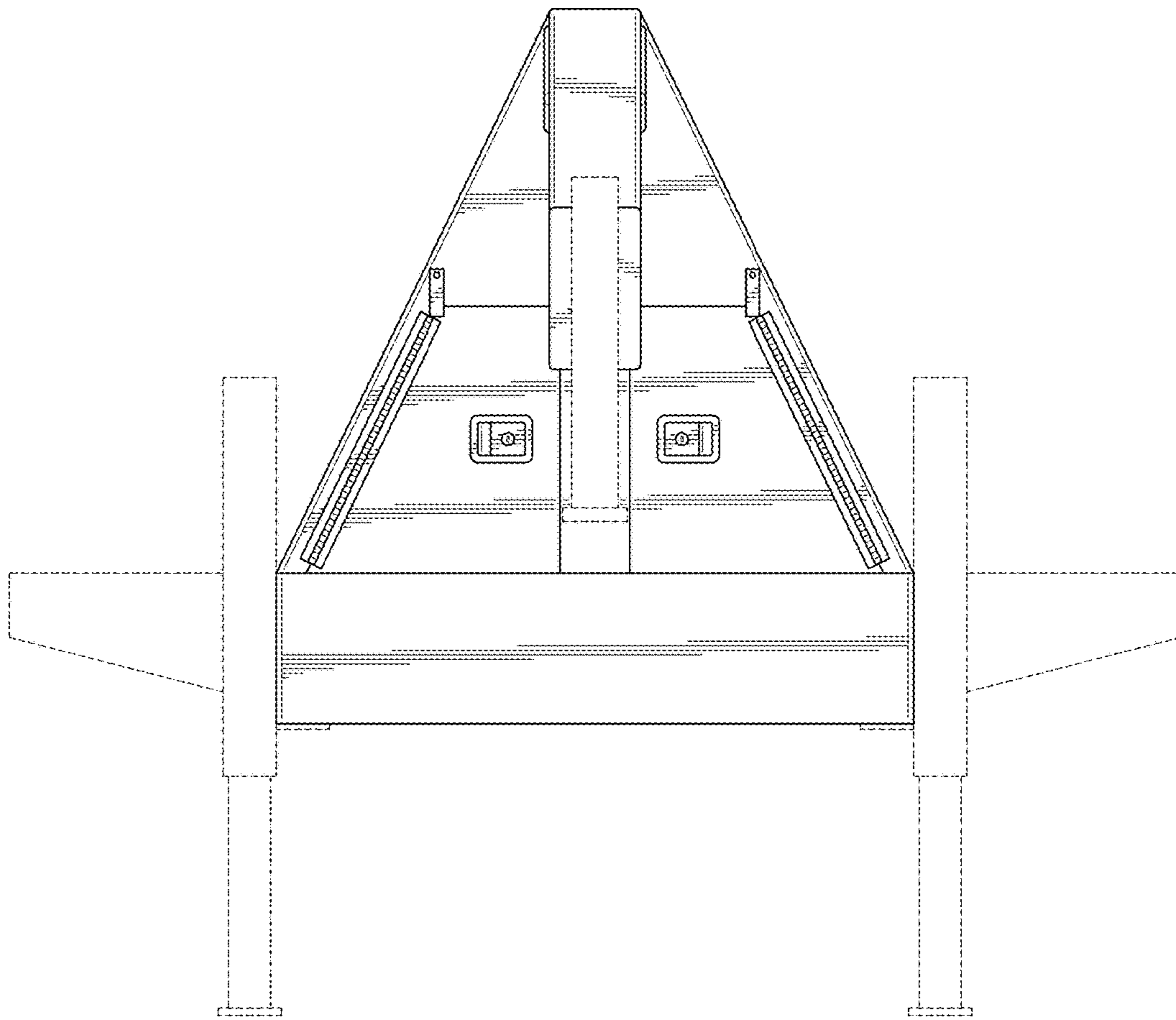


FIG. 2

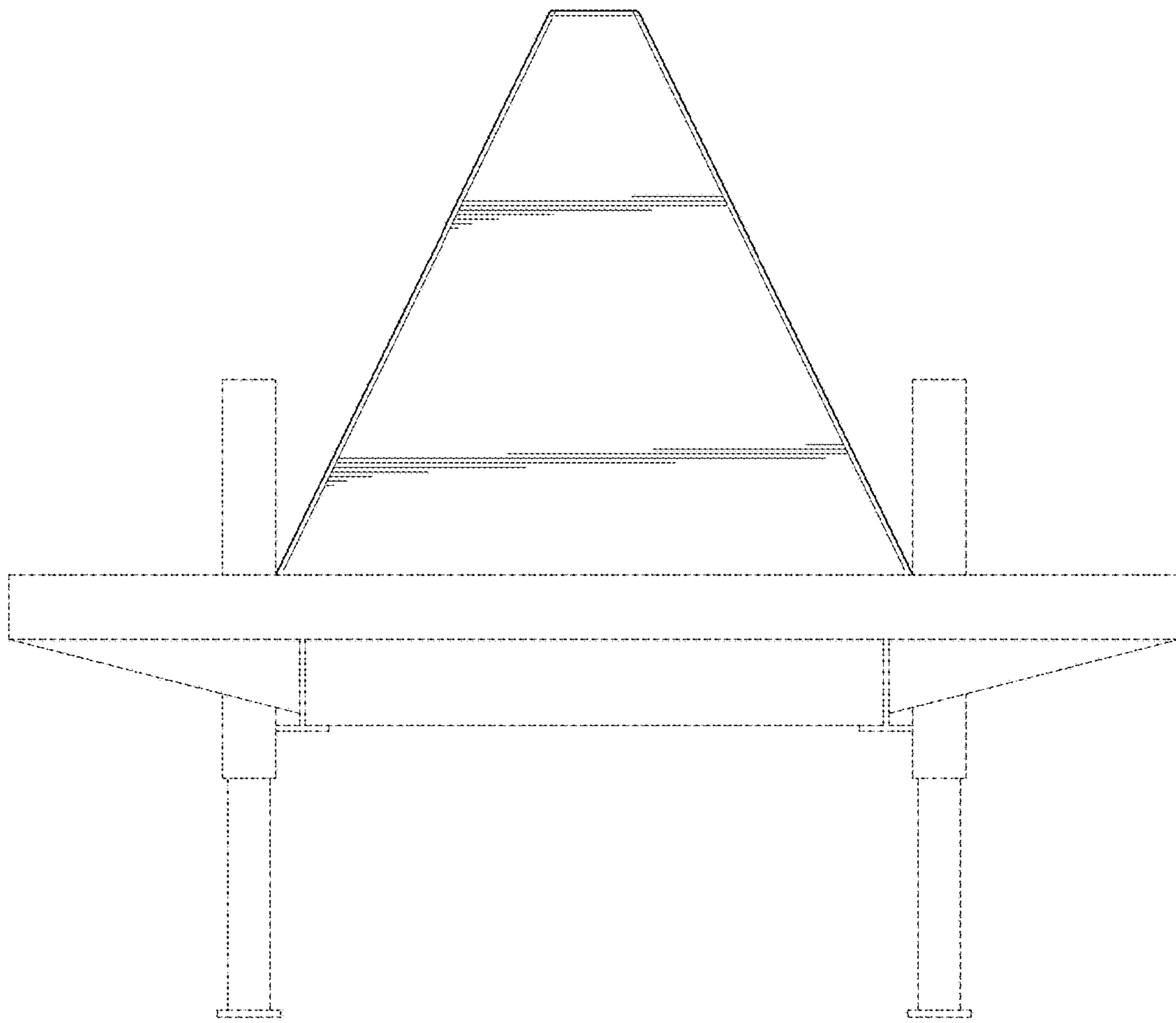


FIG. 3

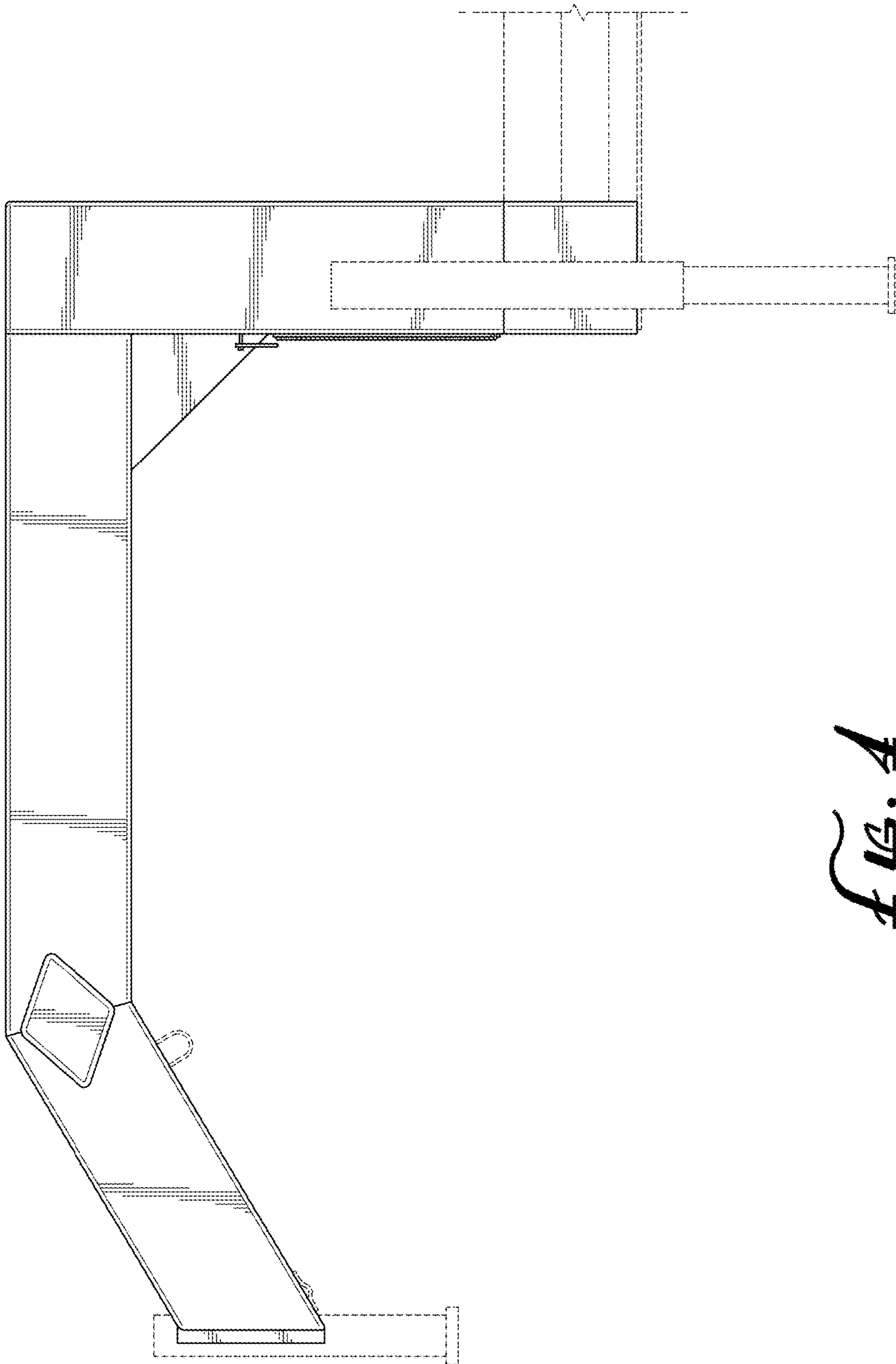


FIG. 4

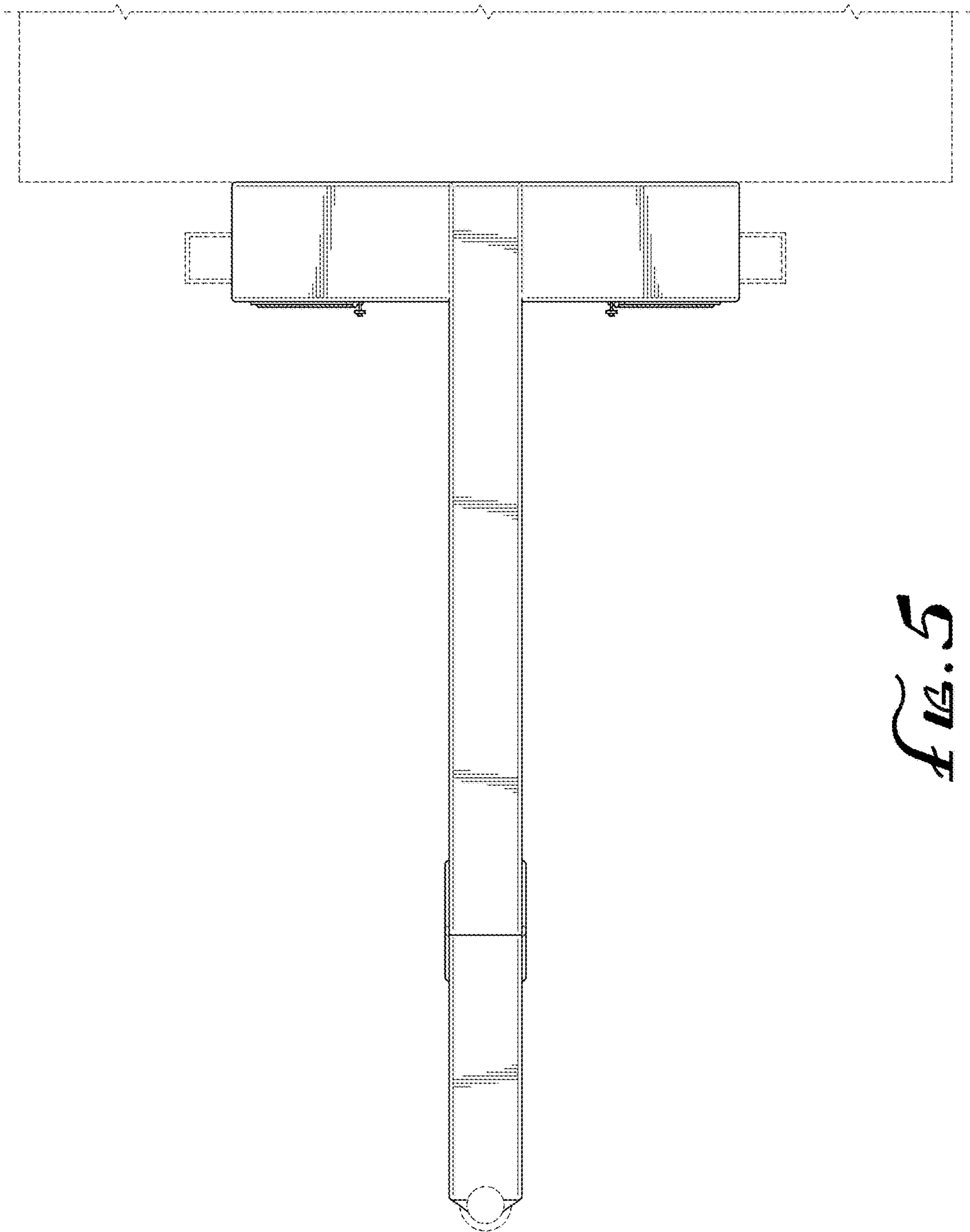


FIG. 5

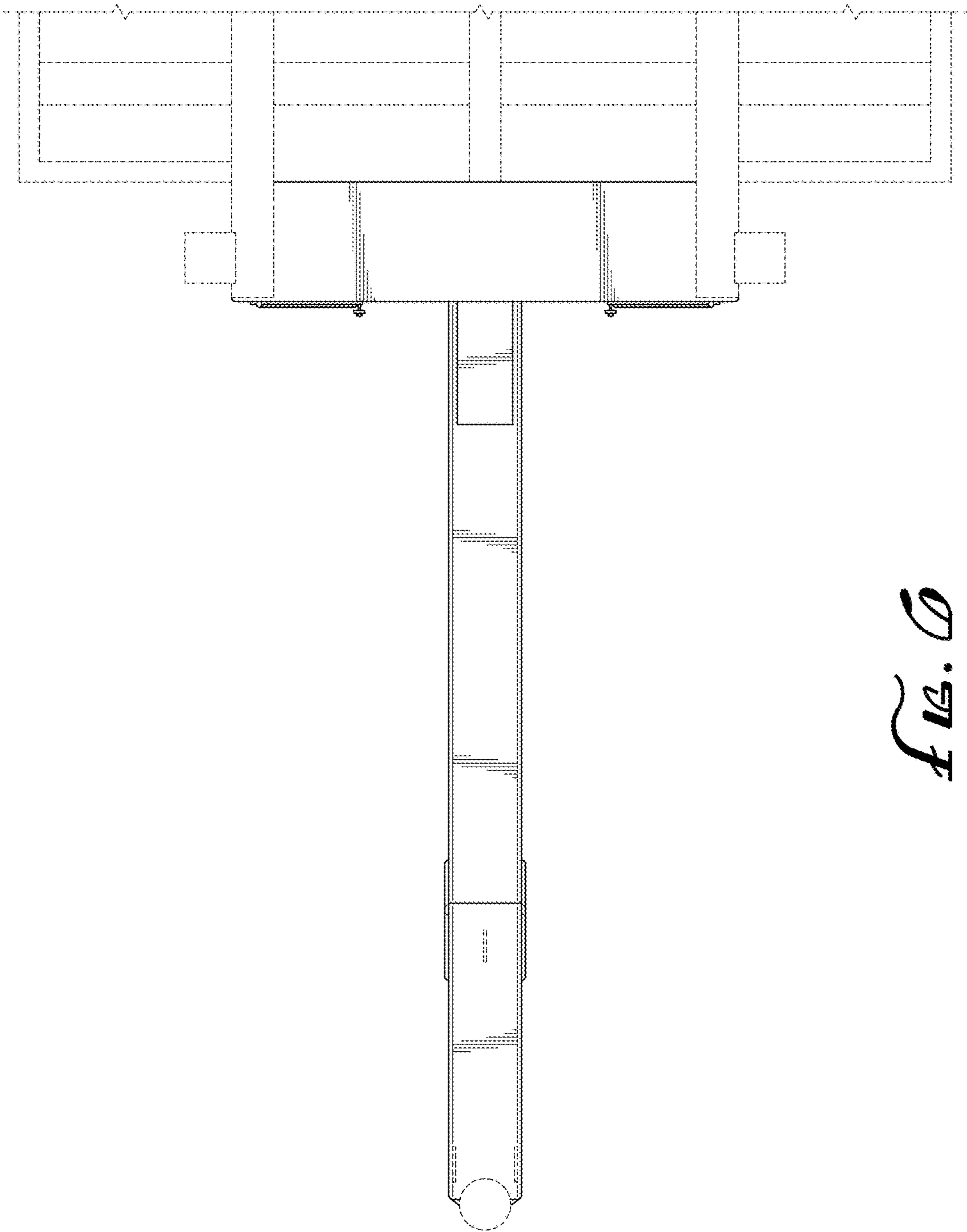


FIG. 6