



US00D774952S

(12) **United States Design Patent** (10) **Patent No.:** **US D774,952 S**
Bischoff et al. (45) **Date of Patent:** **** Dec. 27, 2016**

(54) **MOTOR VEHICLE**

(71) Applicant: **VOLKSWAGEN AKTIENGESELLSCHAFT**,
Wolfsburg (DE)

(72) Inventors: **Klaus Bischoff**, Wolfsburg (DE);
Oliver Stefani, Wolfsburg (DE); **Frank Josef Brüse**, Wolfsburg (DE)

(73) Assignee: **VOLKSWAGEN AKTIENGESELLSCHAFT**,
Wolfsburg (DE)

(**) Term: **15 Years**

(21) Appl. No.: **29/533,088**

(22) Filed: **Jul. 14, 2015**

(30) **Foreign Application Priority Data**

Mar. 10, 2015 (DE) 40 2015 100 221

(51) **LOC (10) Cl.** **12-08**

(52) **U.S. Cl.**
USPC **D12/92; D12/91**

(58) **Field of Classification Search**
USPC D12/86, 90, 91, 92, 98; 296/37.6, 181.1,
296/181.5, 183.1; D21/424, 433, 434
CPC B62D 25/00; B62D 25/06; B62D 33/00;
B62D 35/00

See application file for complete search history.

(56) **References Cited**

U.S. PATENT DOCUMENTS

D367,440 S * 2/1996 Mays D12/90
D378,906 S * 4/1997 Nesbitt D12/91
D385,220 S * 10/1997 Warkuss D12/90
D430,507 S * 9/2000 Warkuss D12/92
D444,102 S * 6/2001 Guillaume D12/91

D533,480 S * 12/2006 Bischoff D12/91
D551,121 S * 9/2007 Schreyer D12/92
D648,654 S * 11/2011 Bischoff D12/92
D683,658 S * 6/2013 Bischoff D12/92
D683,659 S * 6/2013 Bischoff D12/92
D692,351 S * 10/2013 Bischoff D12/92

(Continued)

OTHER PUBLICATIONS

“2016 VW Beetle.” Volkswagen Electronic Brochure., Dec. 11, 2015 [online], [retrieved on Jun. 20, 2016]. Retrieved from the Internet <URL: https://www.vw.com/content/dam/vwcom/brochures/2016/VWA-10335736_MY16_Beetle_Digital.pdf>.*

Primary Examiner — Darlington Ly

(74) *Attorney, Agent, or Firm* — Lucas & Mercanti, LLP;
Klaus P. Stoffel

(57) **CLAIM**

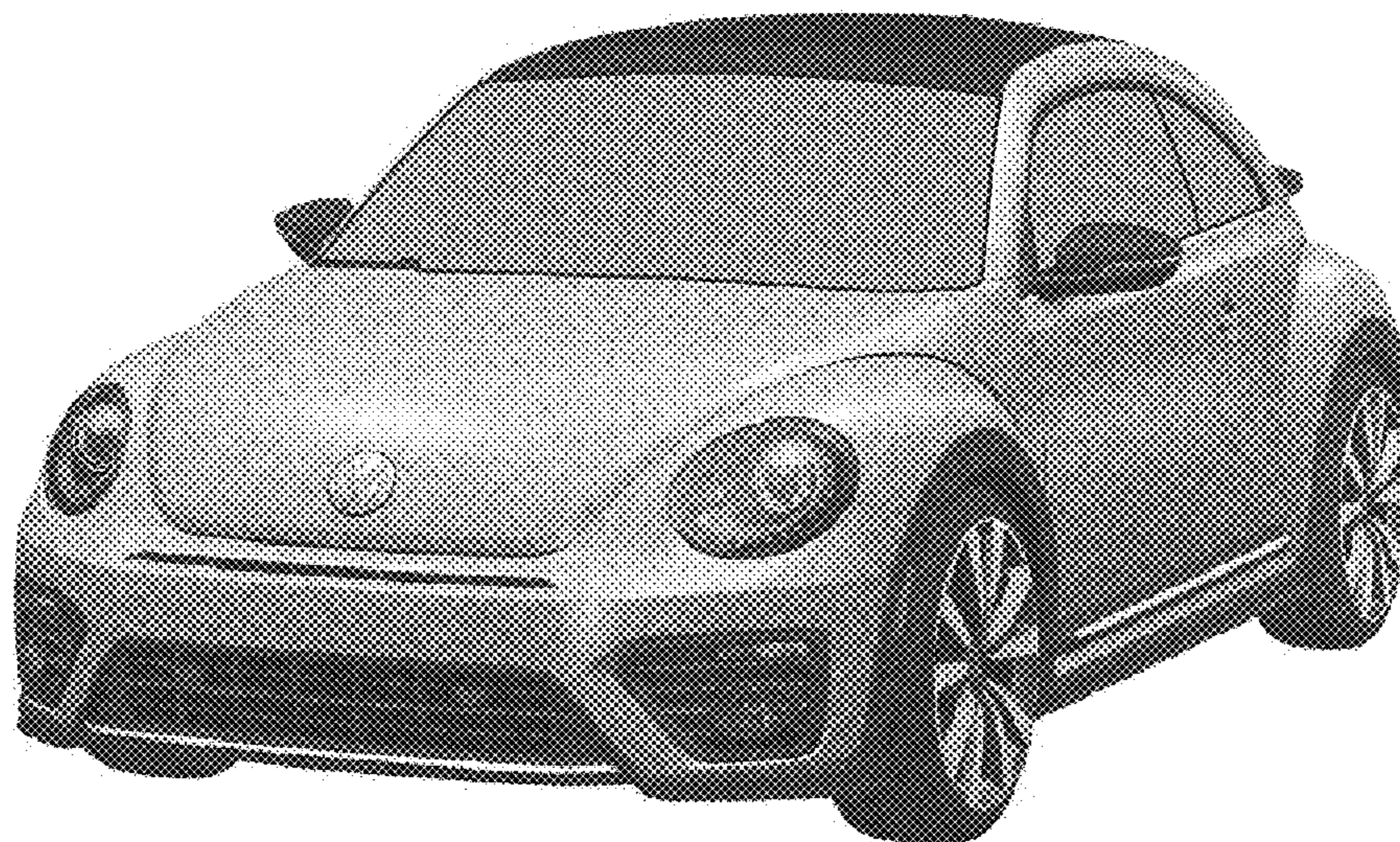
The ornamental design for a motor vehicle, as shown and described.

DESCRIPTION

FIG. 1 is a front, right side perspective view of the motor vehicle of the present invention;
FIG. 2 is a front, left side perspective view thereof;
FIG. 3 is a front view thereof;
FIG. 4 is a rear view thereof;
FIG. 5 is a rear, left side perspective view thereof;
FIG. 6 is a rear, right side perspective view thereof;
FIG. 7 is a left side view thereof;
FIG. 8 is a right side view thereof; and,
FIG. 9 is a top view thereof.

The lighten portions of the interior cabin showing the seats, headrests, steering wheel, dashboard, seat belts, and paneling are provided for the purpose of illustration portions of the motor vehicle that form no part of the claimed design.

1 Claim, 5 Drawing Sheets



(56)

References Cited

U.S. PATENT DOCUMENTS

D729,697 S * 5/2015 Bischoff D12/92
D740,179 S * 10/2015 Bischoff D12/92

* cited by examiner

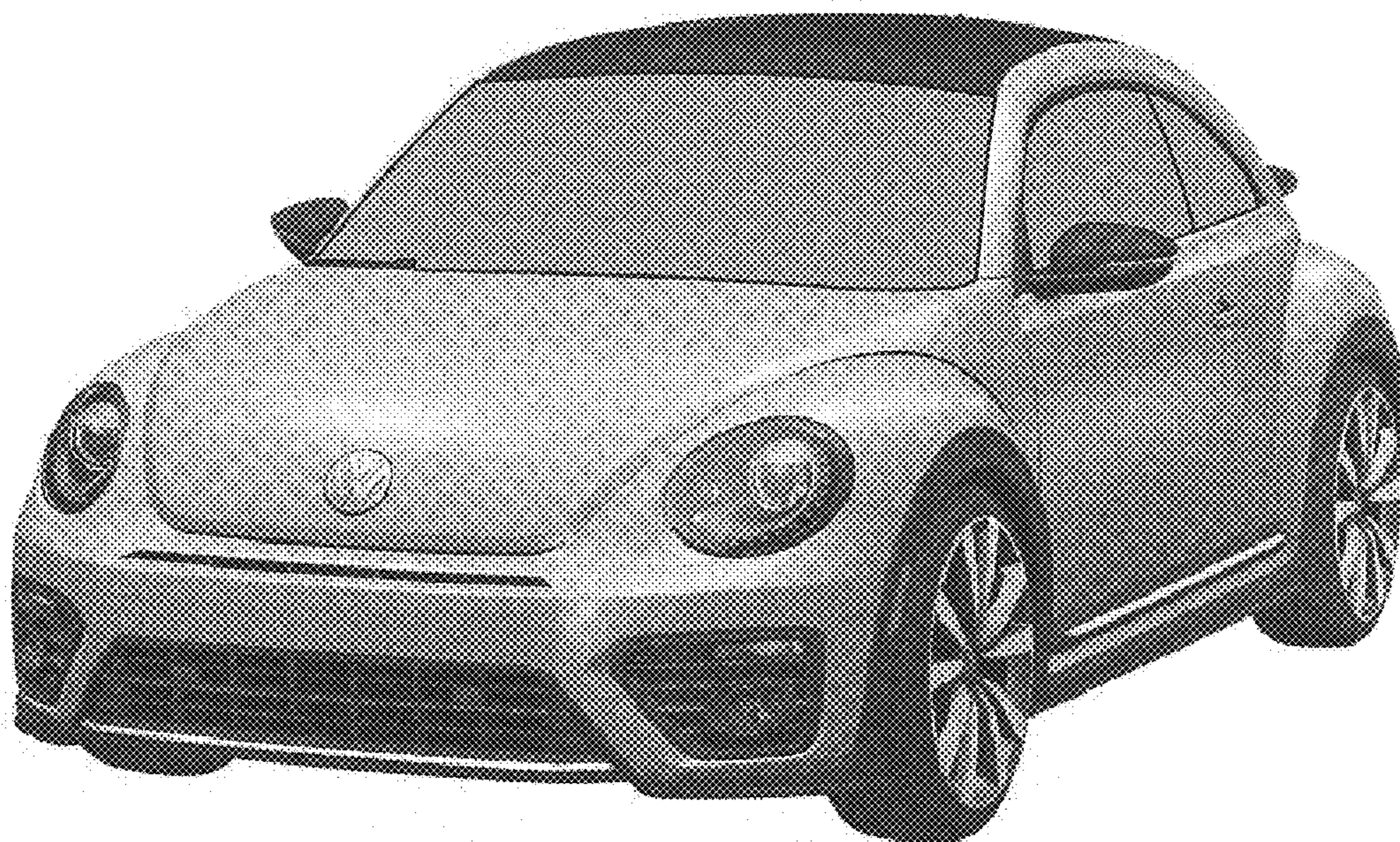


FIG. 1



FIG. 2

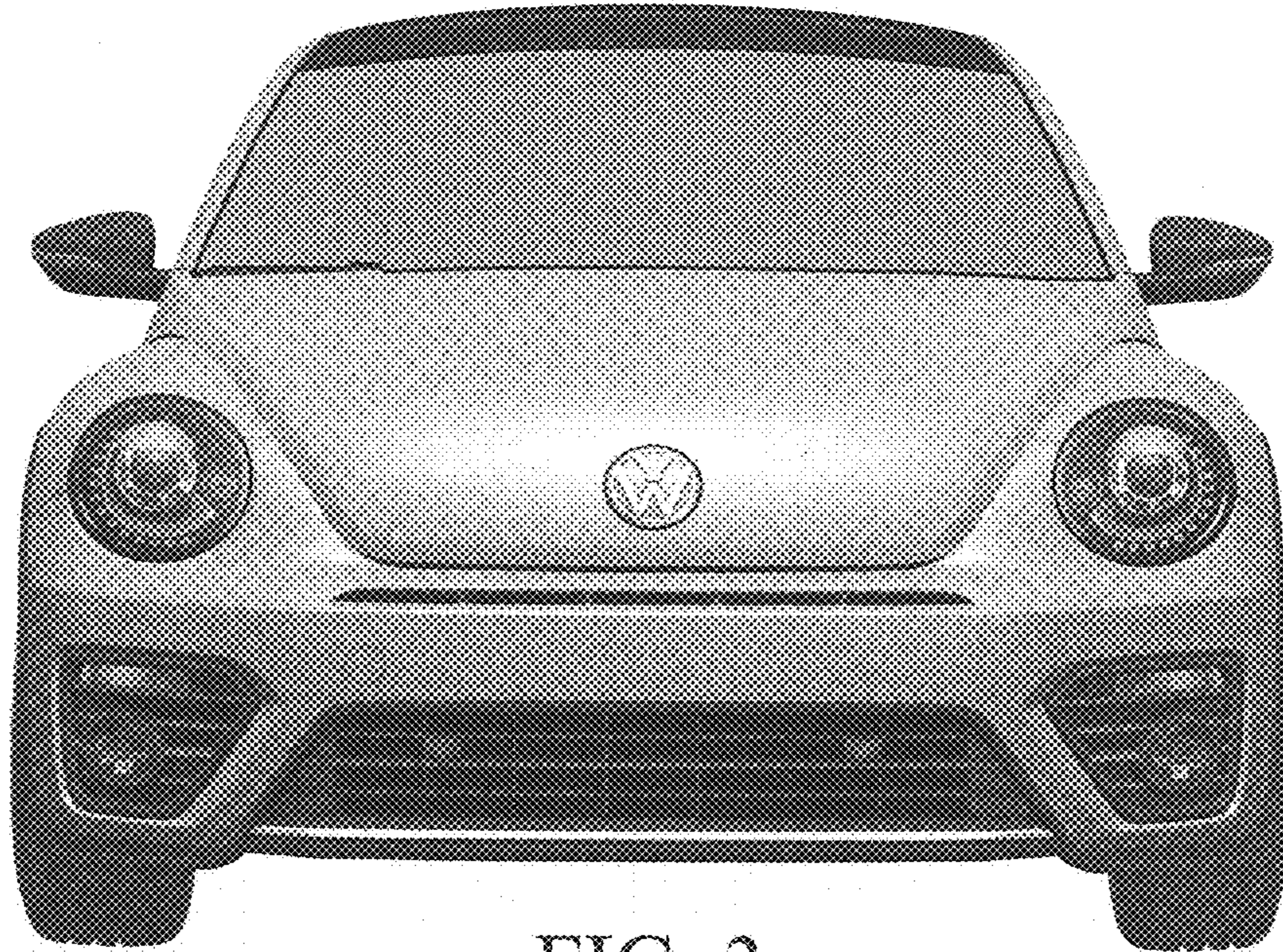


FIG. 3



FIG. 4

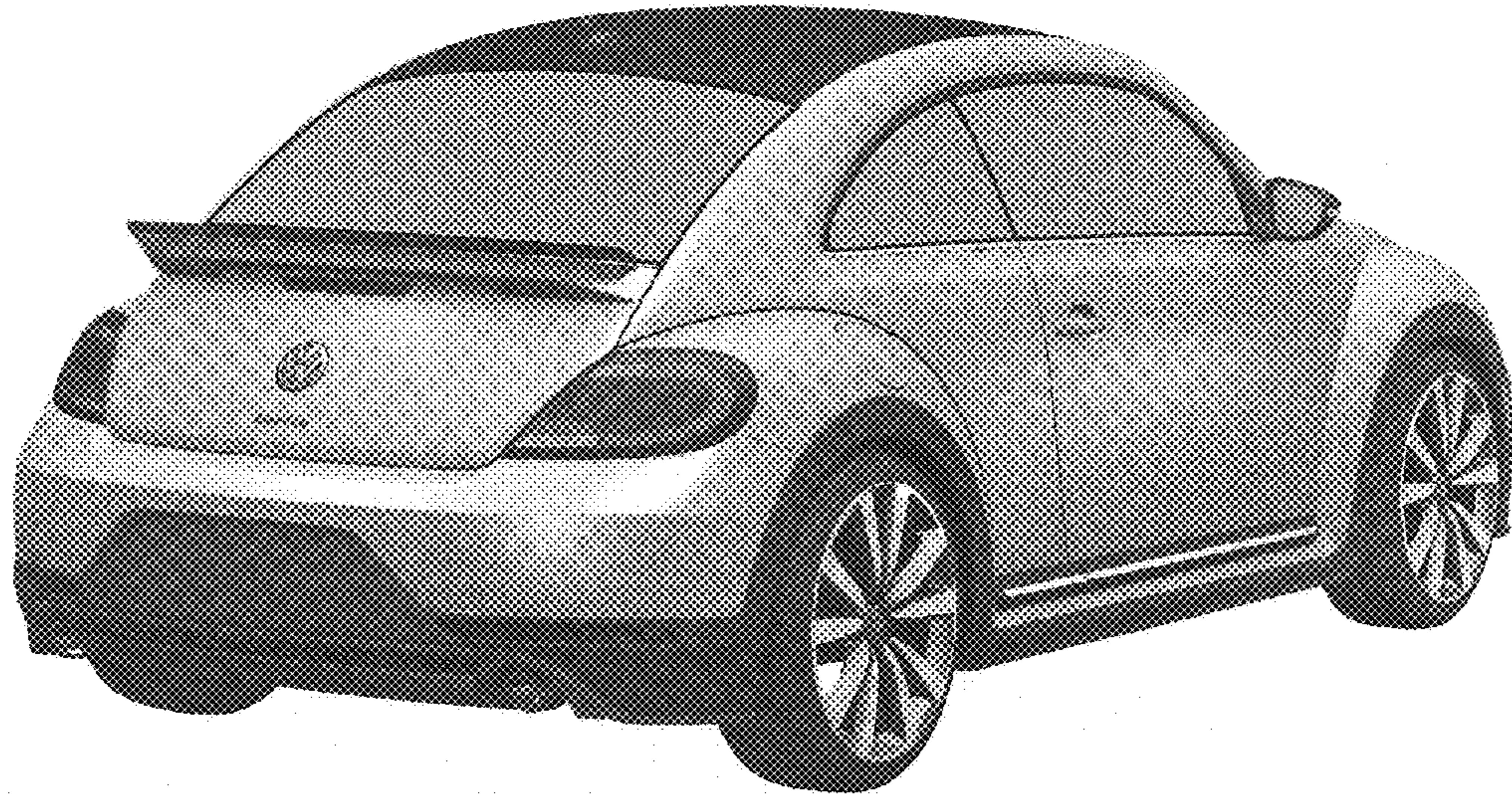


FIG. 5

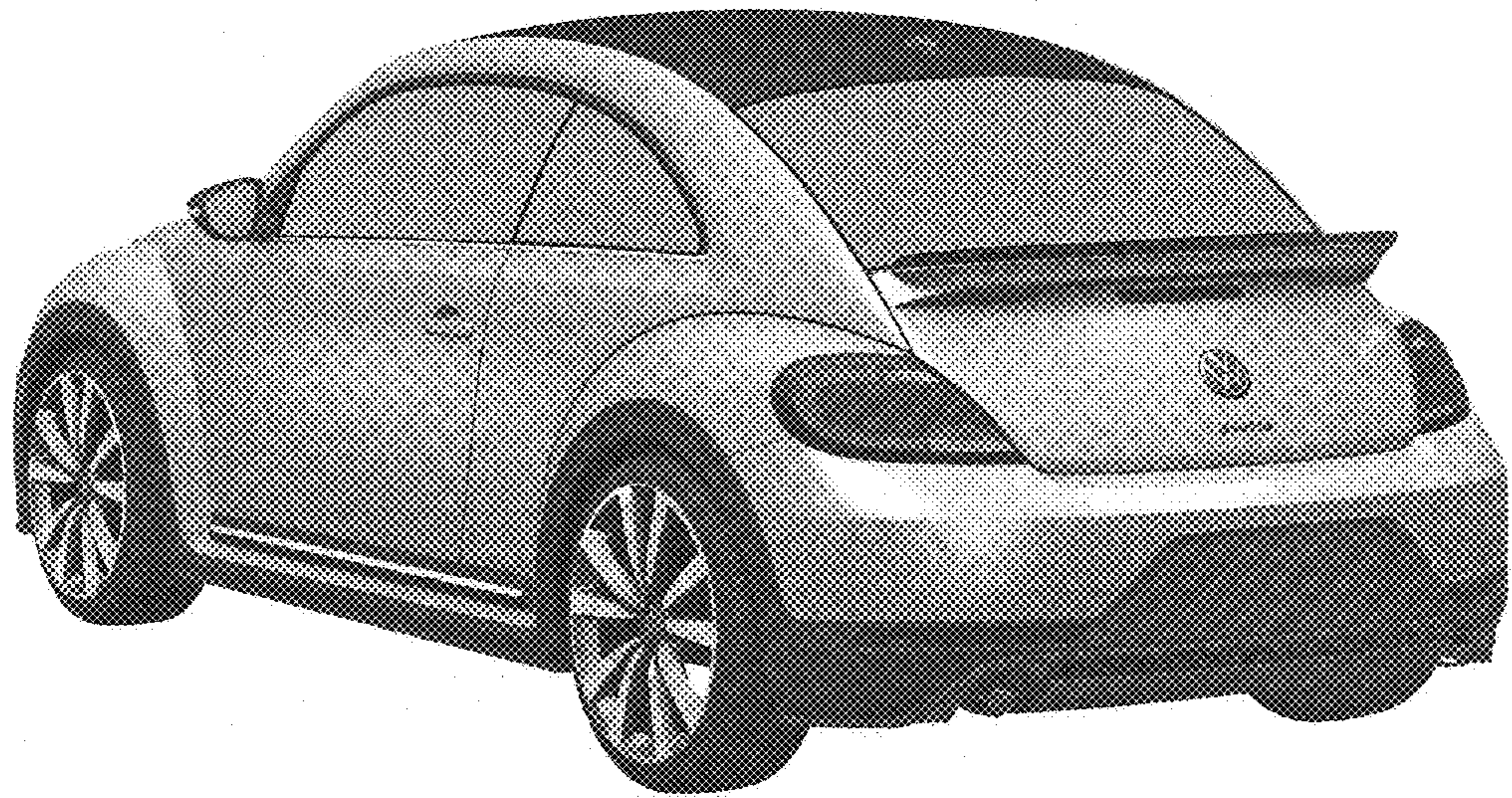


FIG. 6

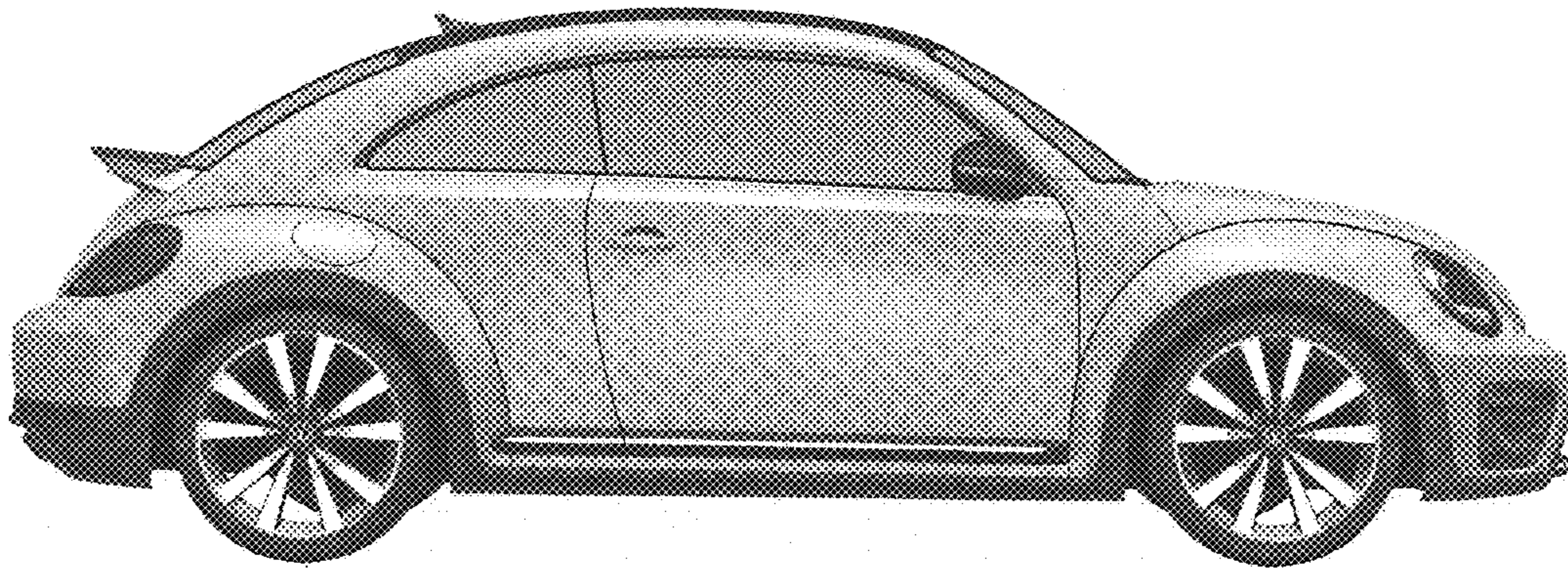


FIG. 7

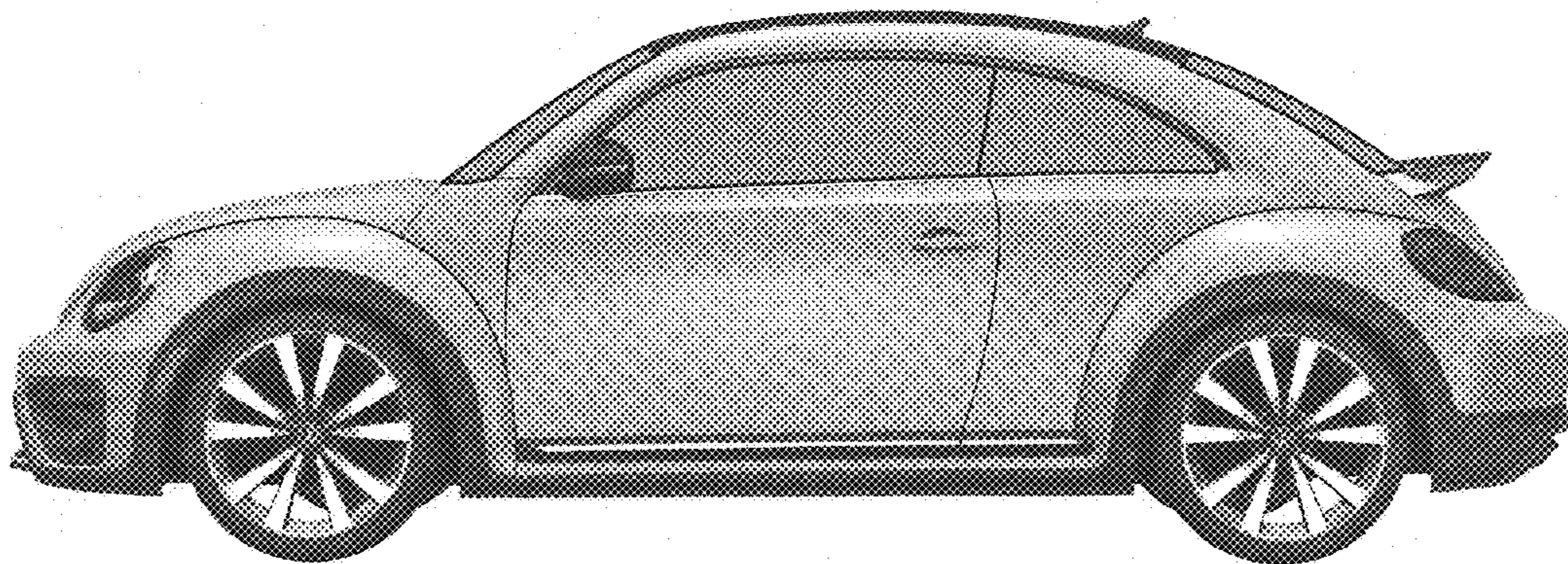


FIG. 8

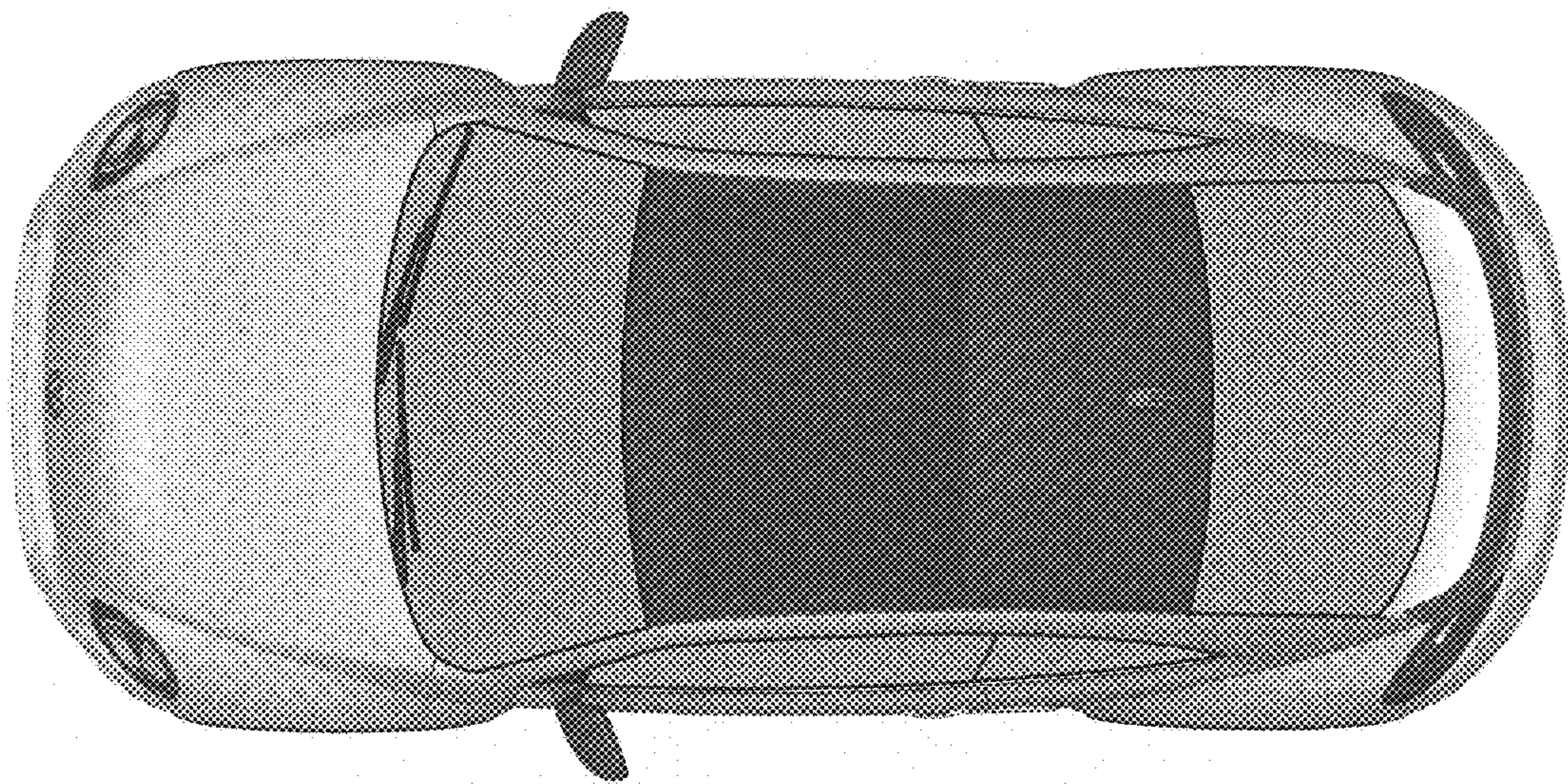


FIG. 9