



US00D774949S

(12) **United States Design Patent**
Okuyama

(10) **Patent No.:** **US D774,949 S**

(45) **Date of Patent:** **** Dec. 27, 2016**

(54) **AUTOMOBILE**

(71) Applicant: **KEN OKUYAMA DESIGN CO., LTD.**, Yamagata (JP)

(72) Inventor: **Kiyoyuki Okuyama**, Yamagata (JP)

(73) Assignee: **KEN OKUYAMA DESIGN CO., LTD.**, Yamagata (JP)

(**) Term: **14 Years**

(21) Appl. No.: **29/476,754**

(22) Filed: **Dec. 17, 2013**

(30) **Foreign Application Priority Data**

Sep. 18, 2013 (JP) 2013-021571

(51) **LOC (10) Cl.** **12-08**

(52) **U.S. Cl.**
USPC **D12/92**

(58) **Field of Classification Search**
USPC D12/86, 88, 90, 91, 92; D21/424, 433,
D21/434; 296/37.6, 181.1, 181.5, 183.1
CPC B62D 35/00; B62D 35/005; B62D 35/02
See application file for complete search history.

(56) **References Cited**

U.S. PATENT DOCUMENTS

D631,796 S *	2/2011	Castriota	D12/92
D673,079 S *	12/2012	Goto et al.	D12/92
D689,796 S *	9/2013	Kubo et al.	D12/92
D692,348 S *	10/2013	Whelan	D12/92
D692,800 S *	11/2013	Wiltshire	D12/92
D703,103 S *	4/2014	Lee	D12/92
D703,104 S *	4/2014	Scaringe et al.	D12/92
D710,257 S *	8/2014	Giovannini	D12/92
D710,259 S *	8/2014	Baccino	D12/92

D710,762 S *	8/2014	Mays et al.	D12/92
2005/0248184 A1 *	11/2005	Piffaretti	296/187.03
2011/0095562 A1 *	4/2011	Yamagishi et al.	296/180.1

OTHER PUBLICATIONS

Baedeker, Jan. "Ken Okuyama Design Kode9: Enzo designer's lightweight sports car." *Classic Driver*, Nov. 21, 2013 [online], [retrieved on Sep. 5, 2014]. Retrieved from the Internet <URL: <http://www.classicdriver.com/en/article/cars/ken-okuyama-design-kode9-enzo-designers-lightweight-sports-car>>.*

Schultz, Johnathan. "Most fascinating concept of 2013: Ken Okuyama Kode 9." *BBC*, Dec. 22, 2013 [online], [retrieved on Sep. 5, 2014]. Retrieved from the Internet <URL: <http://www.bbc.com/autos/story/20131220-concept-car-of-2013-kode-9>>.*

"Speed Racer. Demon on wheels." *Car Type*, Dec. 22, 2013 [online], [retrieved on Sep. 5, 2014]. Retrieved from the Internet <URL: http://www.cartype.com/pages/265/speed_racer>.*

* cited by examiner

Primary Examiner — Darlington Ly

(74) *Attorney, Agent, or Firm* — Bacon & Thomas, PLLC

(57) **CLAIM**

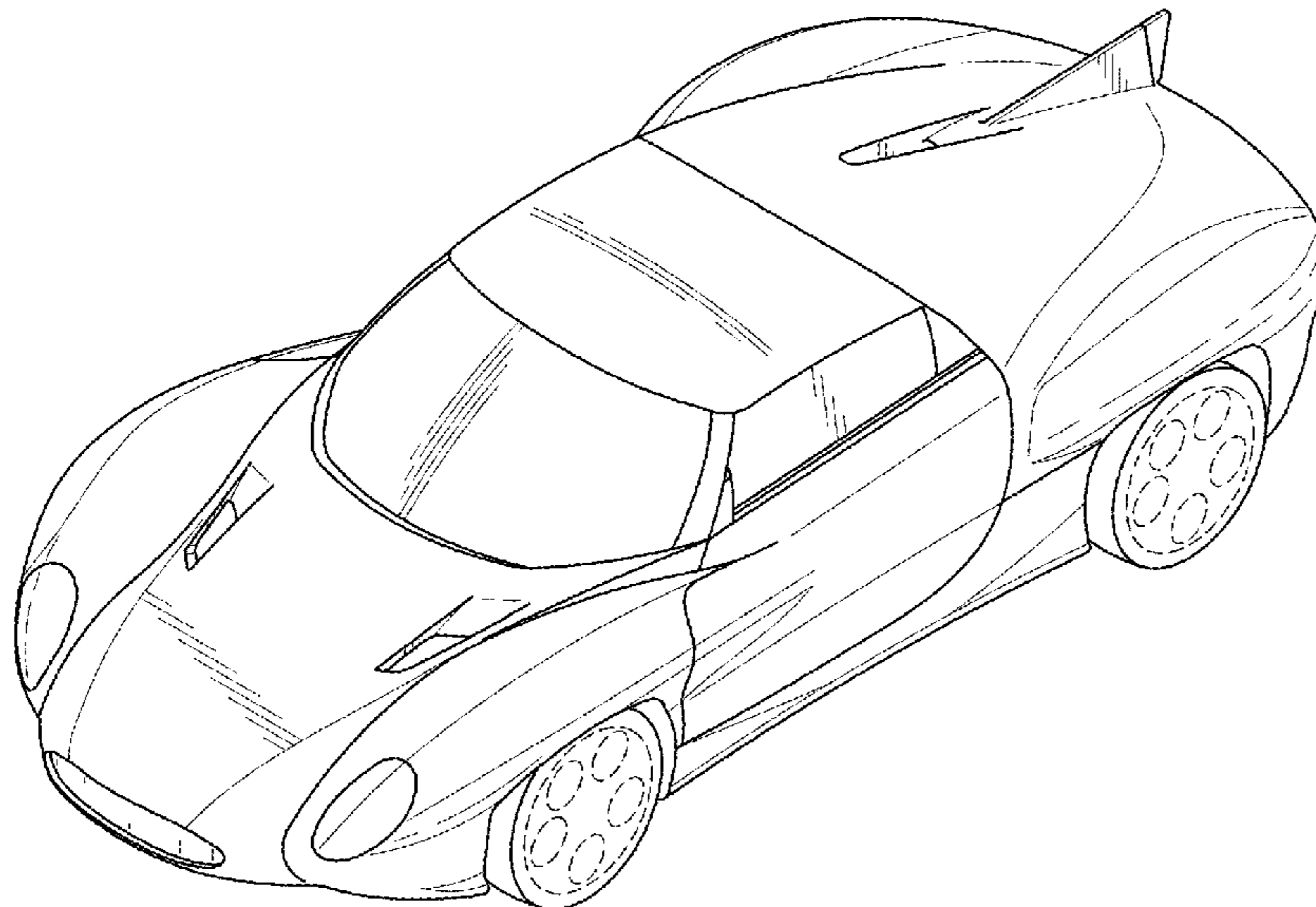
The ornamental design for an automobile, as shown and described.

DESCRIPTION

FIG. 1 is a top, front, and left-side perspective view of an automobile according to the present invention; FIG. 2 is a top, rear, and left-side perspective view thereof; FIG. 3 is a left-side elevation view thereof; FIG. 4 is a top plan view thereof; FIG. 5 is a front elevation view thereof; and, FIG. 6 is a rear elevation view thereof.

The broken lines shown in the drawings illustrate portions of the automobile that form no part of the claimed design.

1 Claim, 5 Drawing Sheets



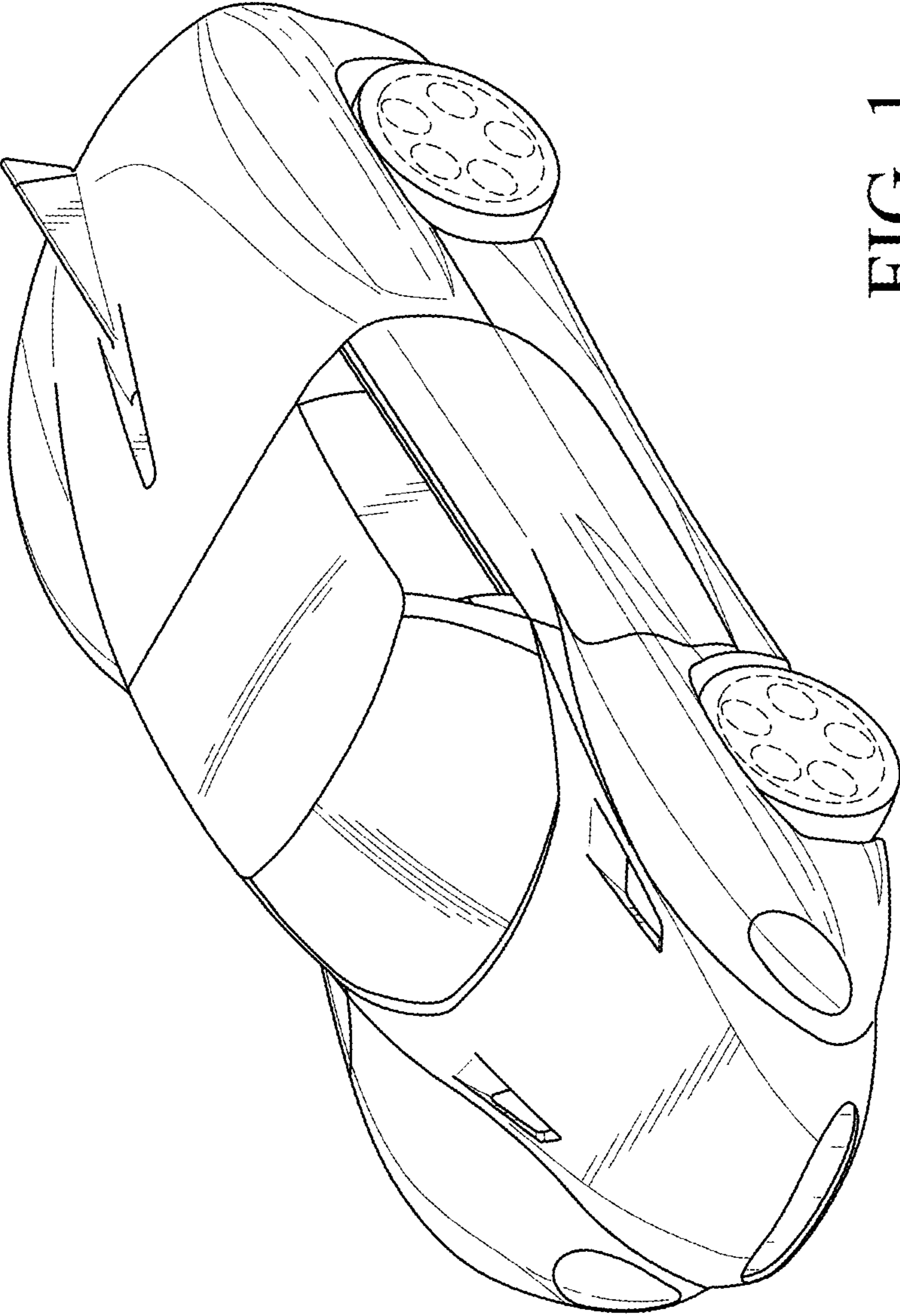


FIG. 1

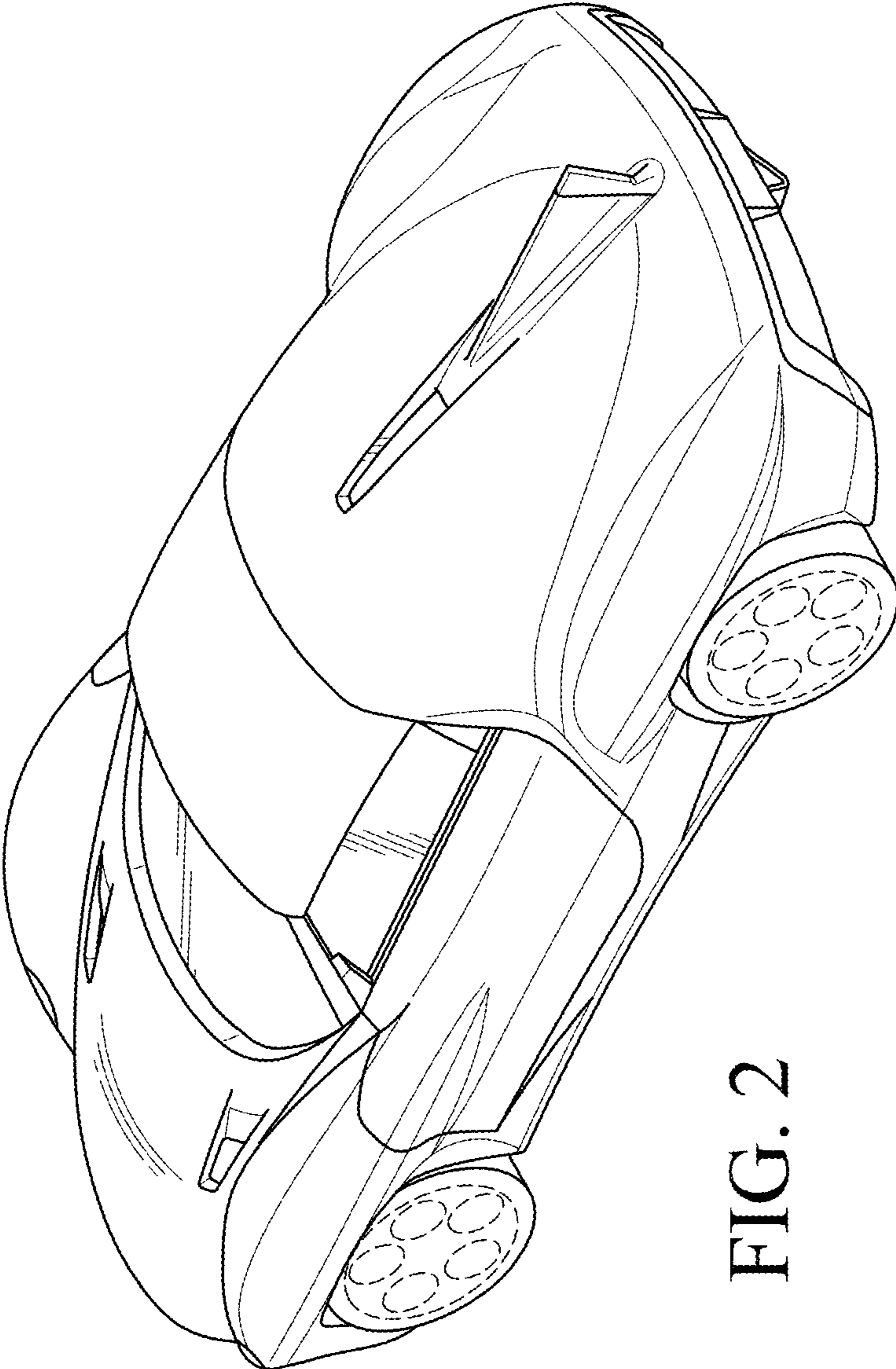


FIG. 2

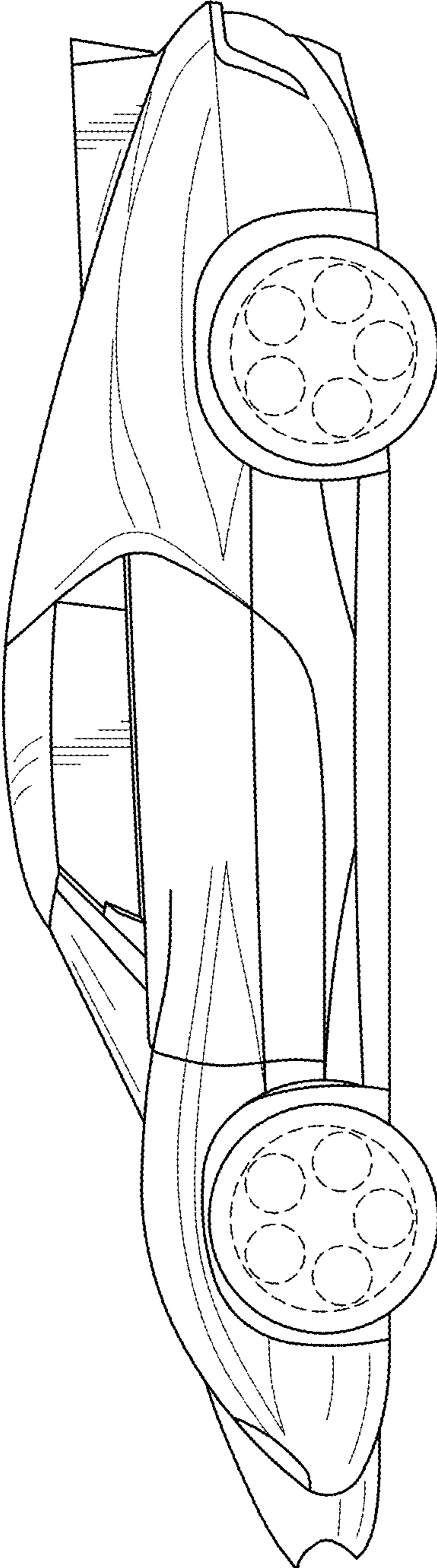


FIG. 3

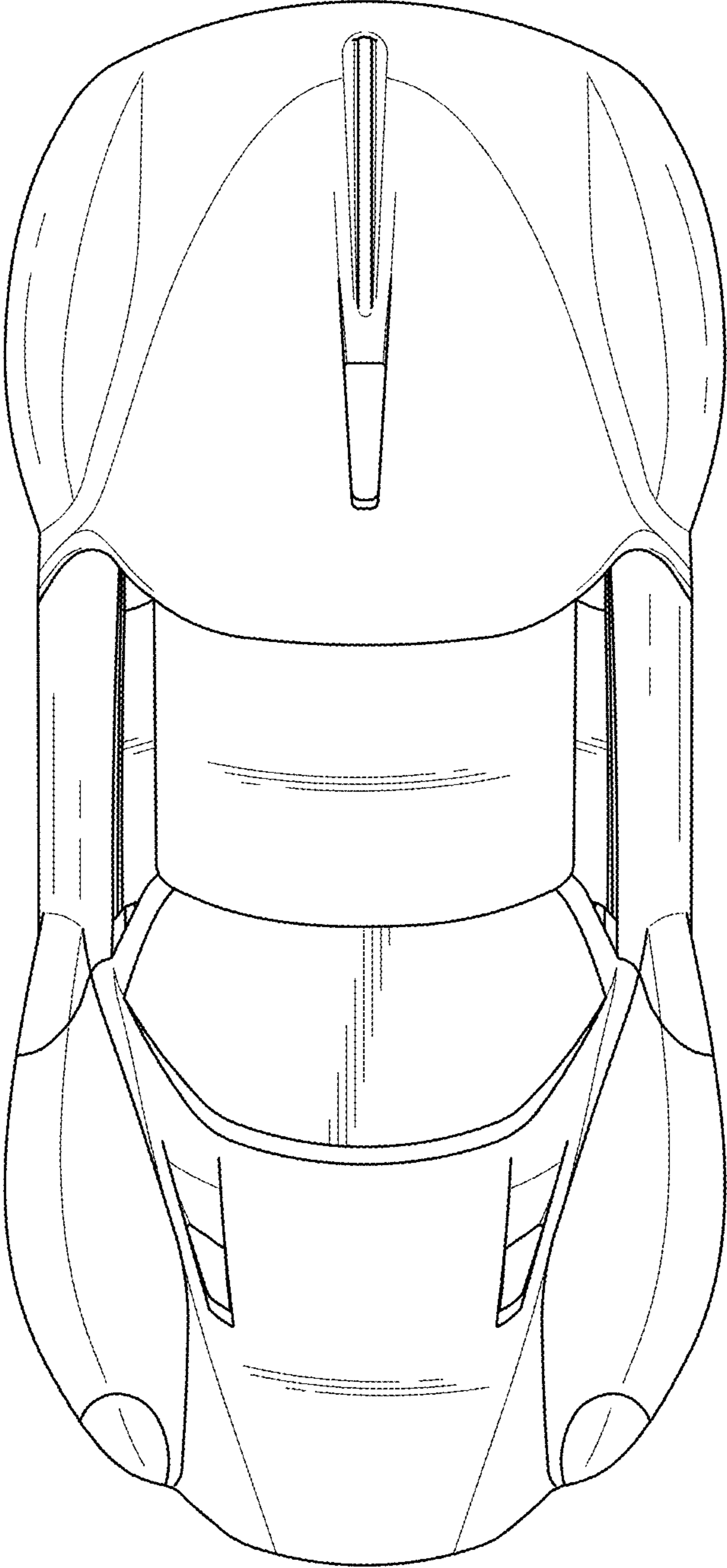


FIG. 4

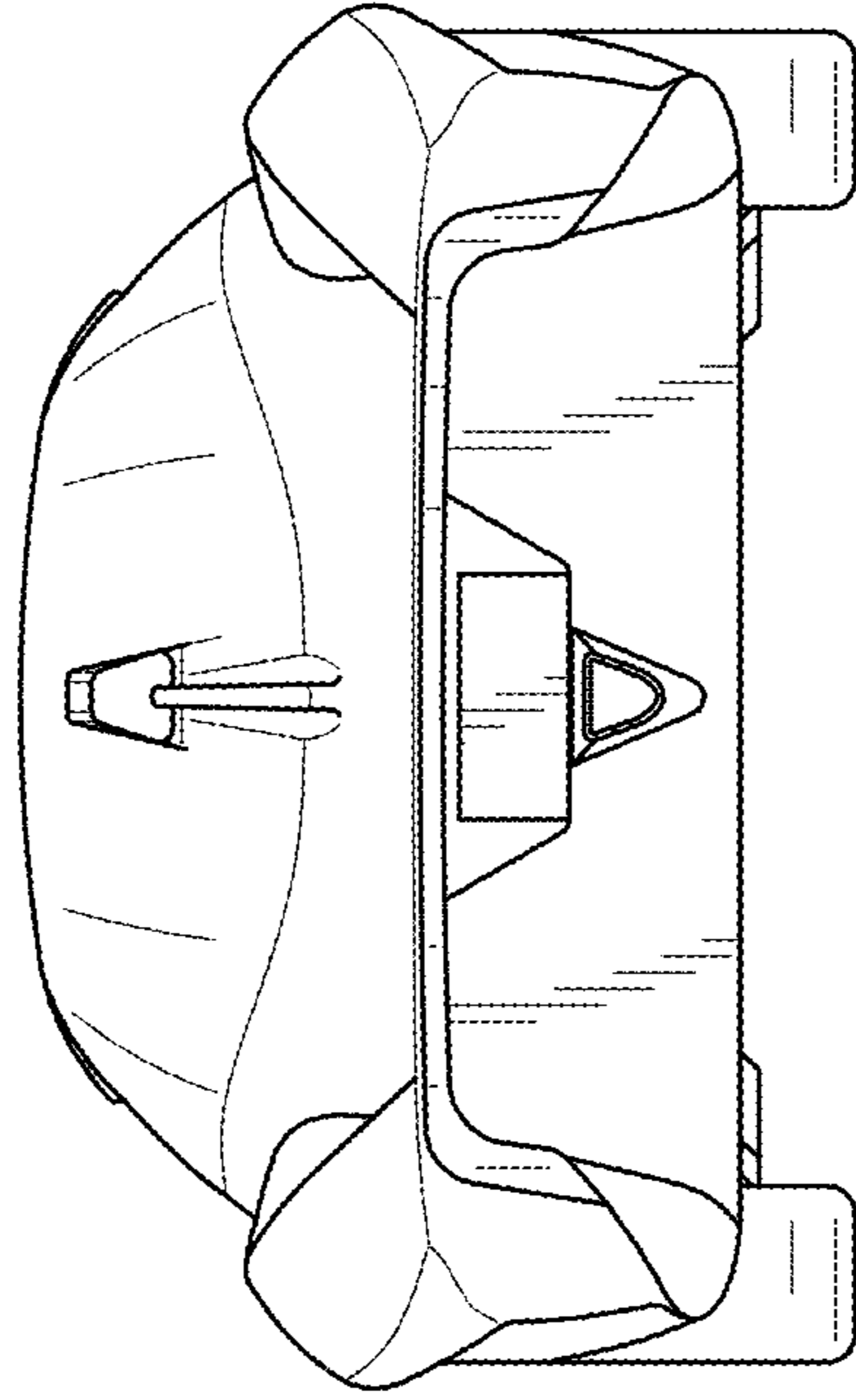


FIG. 5

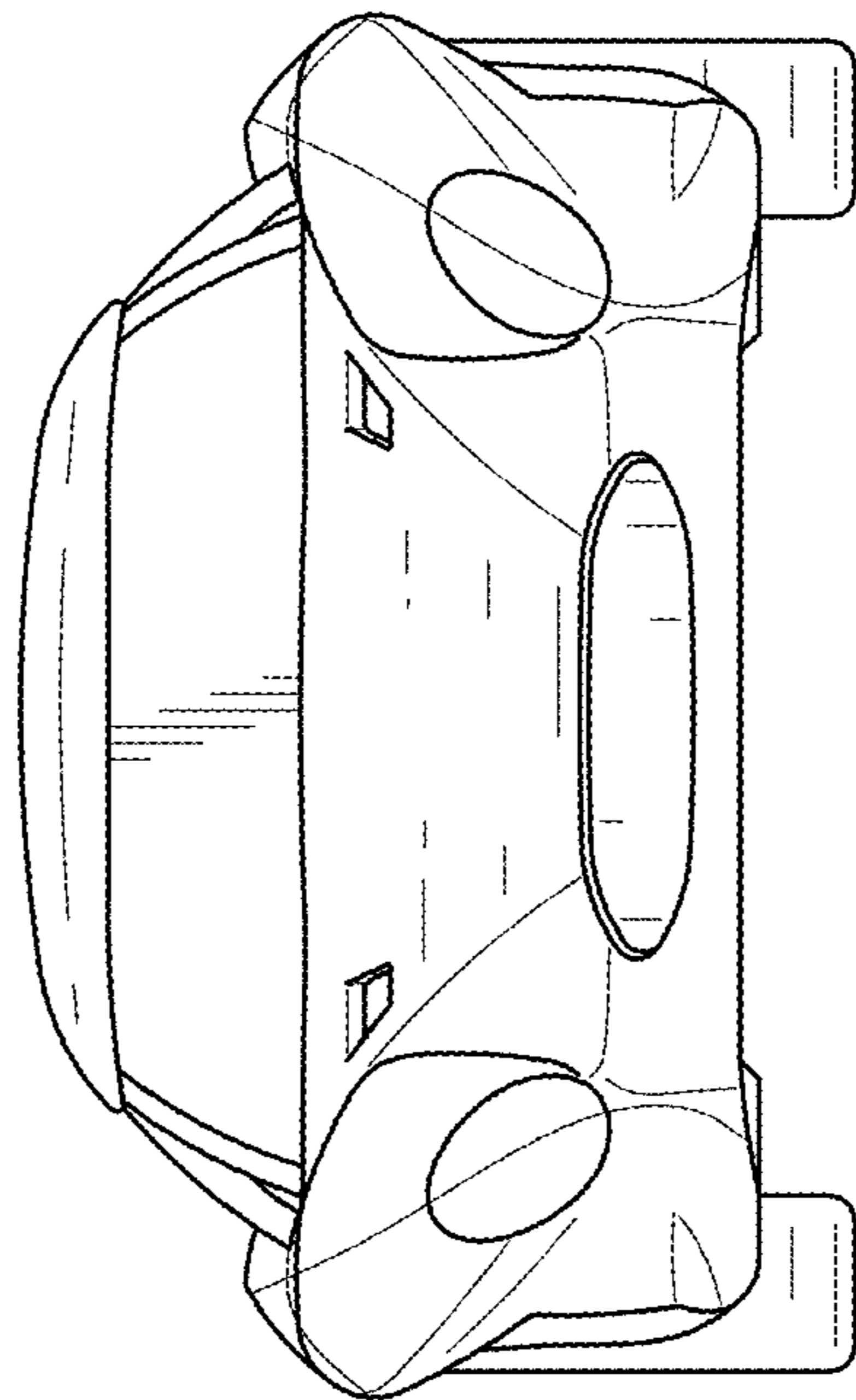


FIG. 6