



US00D774948S

(12) **United States Design Patent** (10) **Patent No.:** **US D774,948 S**
Abbes (45) **Date of Patent:** **** *Dec. 27, 2016**

- (54) **CAR**
- (71) Applicant: **Lazhar Abbes**, Etobicoke (CA)
- (72) Inventor: **Lazhar Abbes**, Etobicoke (CA)
- (73) Assignee: **Lazhar Abbes**, Brampton, Ontario (CA)
- (*) Notice: This patent is subject to a terminal disclaimer.
- (**) Term: **14 Years**
- (21) Appl. No.: **29/438,776**
- (22) Filed: **Dec. 3, 2012**
- (51) **LOC (10) Cl.** **12-08**
- (52) **U.S. Cl.**
USPC **D12/92**
- (58) **Field of Classification Search**
USPC D12/82, 86, 88, 90, 92, 94; D21/424,
D21/433, 548, 551; 296/96.2, 146.9,
296/181.1, 181.5, 185; 280/756
See application file for complete search history.

D307,925 S *	5/1990	Rylands	D21/548
D362,208 S *	9/1995	Gangnant	D12/86
D457,467 S *	5/2002	Shimizu	D12/86
D458,187 S *	6/2002	Shimizu	D12/86
D565,464 S *	4/2008	Falasca	D12/91
D588,500 S *	3/2009	Howell et al.	D12/92
D626,033 S *	10/2010	Browne	D12/86
D677,345 S *	3/2013	Isted	D21/551

- (56) **References Cited**
U.S. PATENT DOCUMENTS
2,027,913 A * 1/1936 Kneale 280/680
2,101,057 A * 12/1937 Fuller 180/215
2,504,725 A * 4/1950 Pezzano 180/359
3,951,222 A * 4/1976 Fletcher 180/242
D296,196 S * 6/1988 Fujimura D12/90

OTHER PUBLICATIONS

Worlds Fastest Hybrid. Website [online]. <http://knstrct.com>, Jul. 19, 2010 [retrieved on Aug. 1, 2013]. Retrieved from the Internet: <URL: <http://knstrct.com/2010/07/19/worlds-fastest-hybrid/>>.*

* cited by examiner

Primary Examiner — Darlington Ly

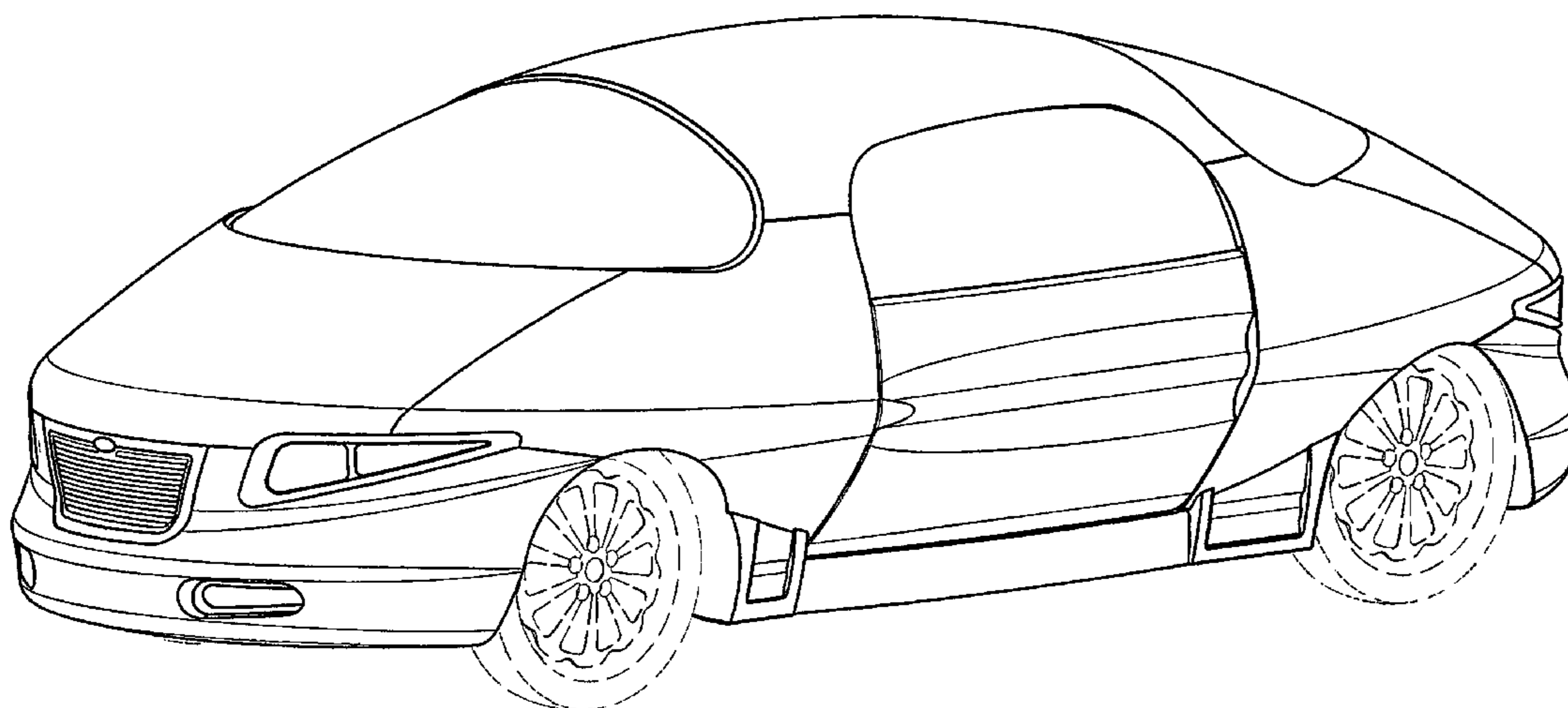
(57) **CLAIM**

The ornamental design for a car, as shown and described.

DESCRIPTION

FIG. 1 is a left side elevation view of a car according to my new design;
FIG. 2 is a top plan view thereof;
FIG. 3 is a front elevation view thereof;
FIG. 4 is a rear elevation view thereof;
FIG. 5 is a section view thereof, taken at 5-5 in FIG. 1; and,
FIG. 6 is an Isometric view thereof.
The broken lines shown in the drawings illustrate portions of the car that form no part of claimed design.

1 Claim, 4 Drawing Sheets



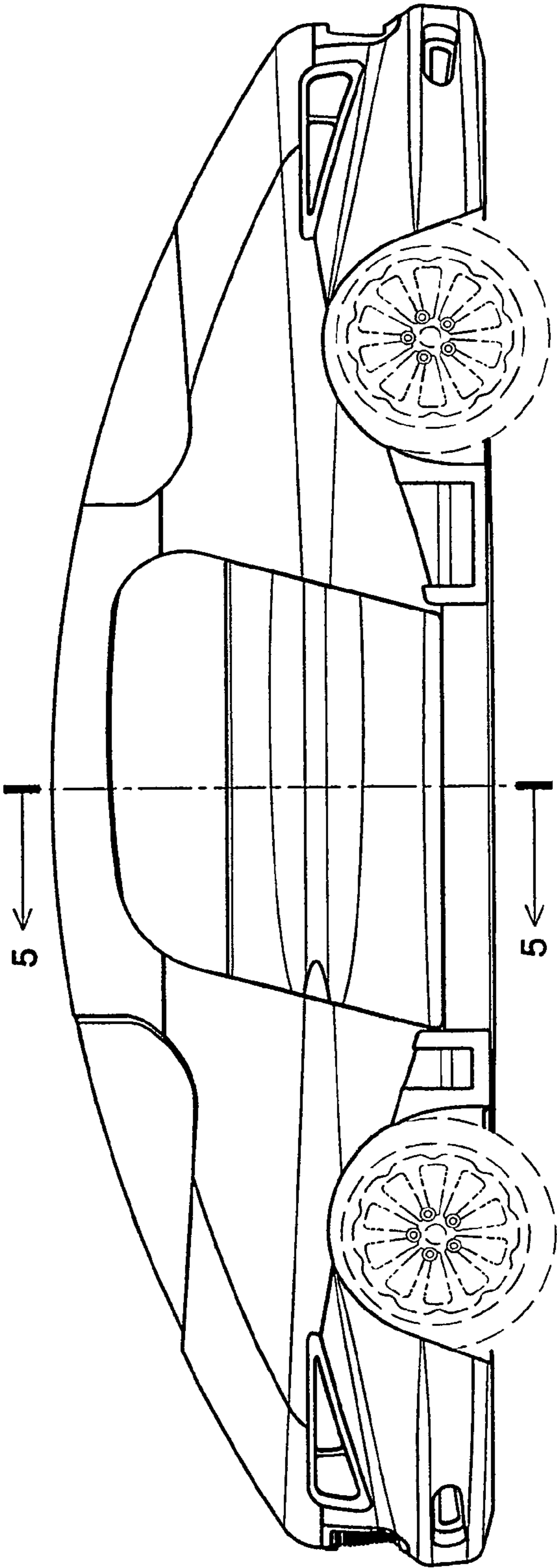


FIG 1

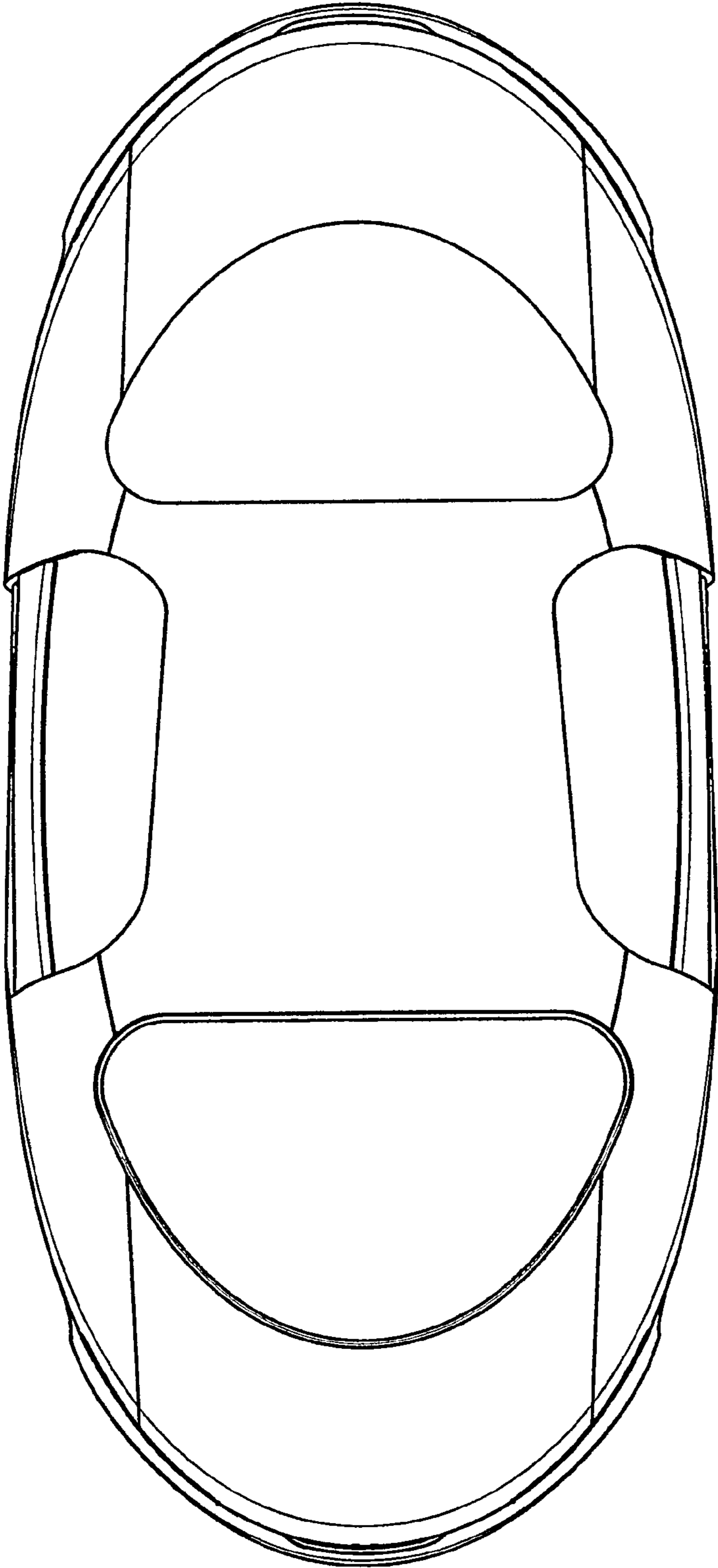


Fig. 2

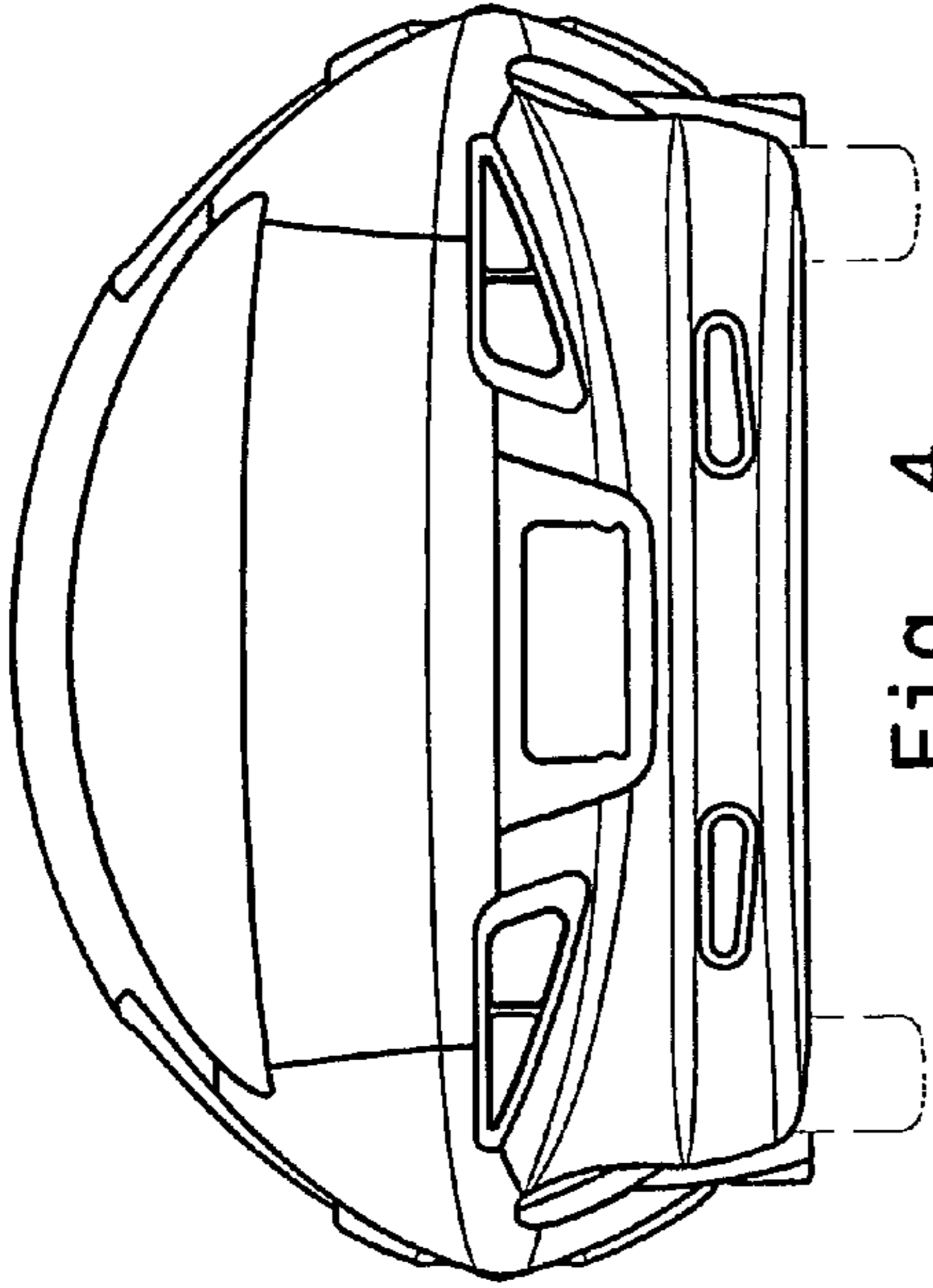


Fig. 4

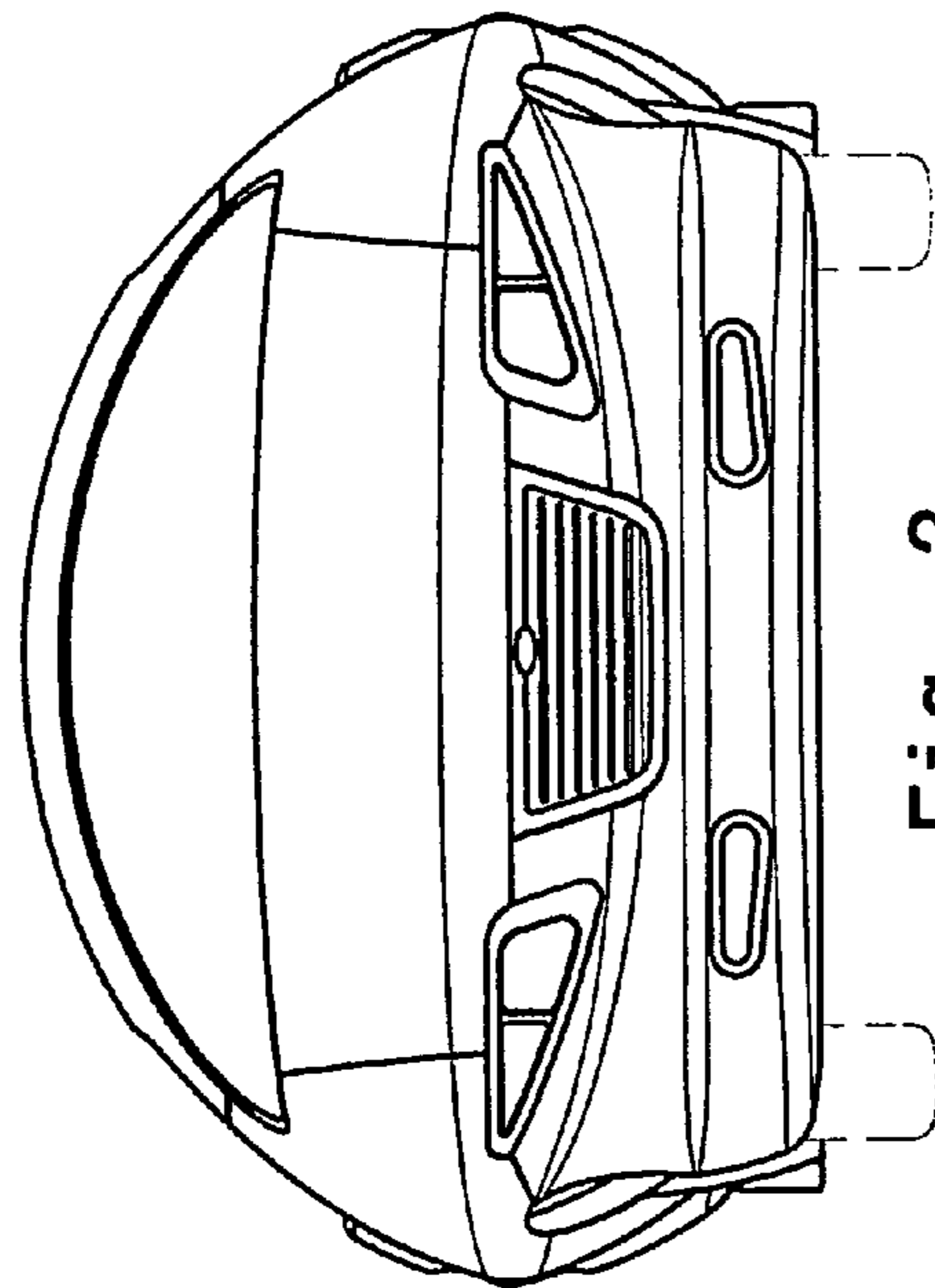


Fig. 3

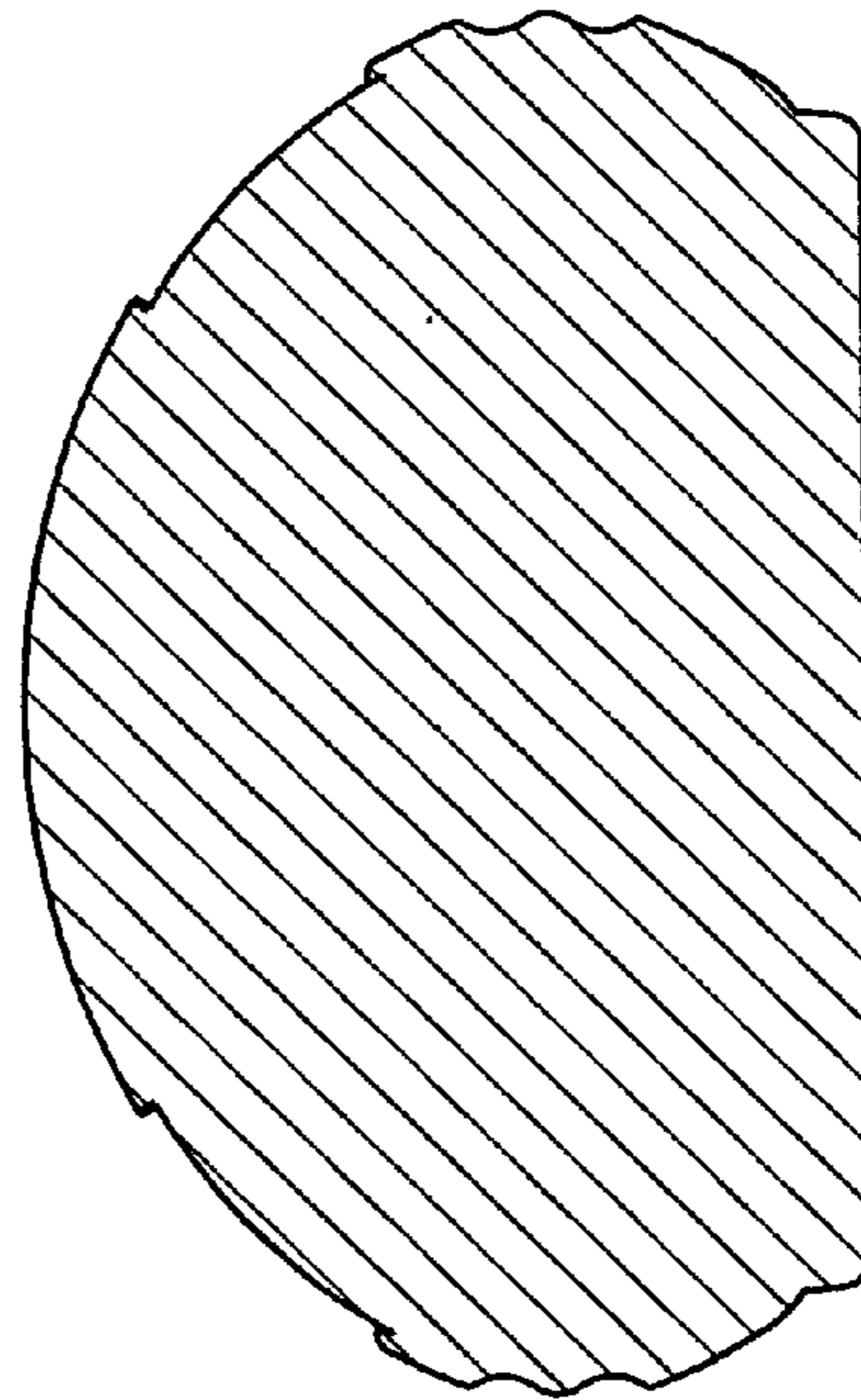


Fig. 5

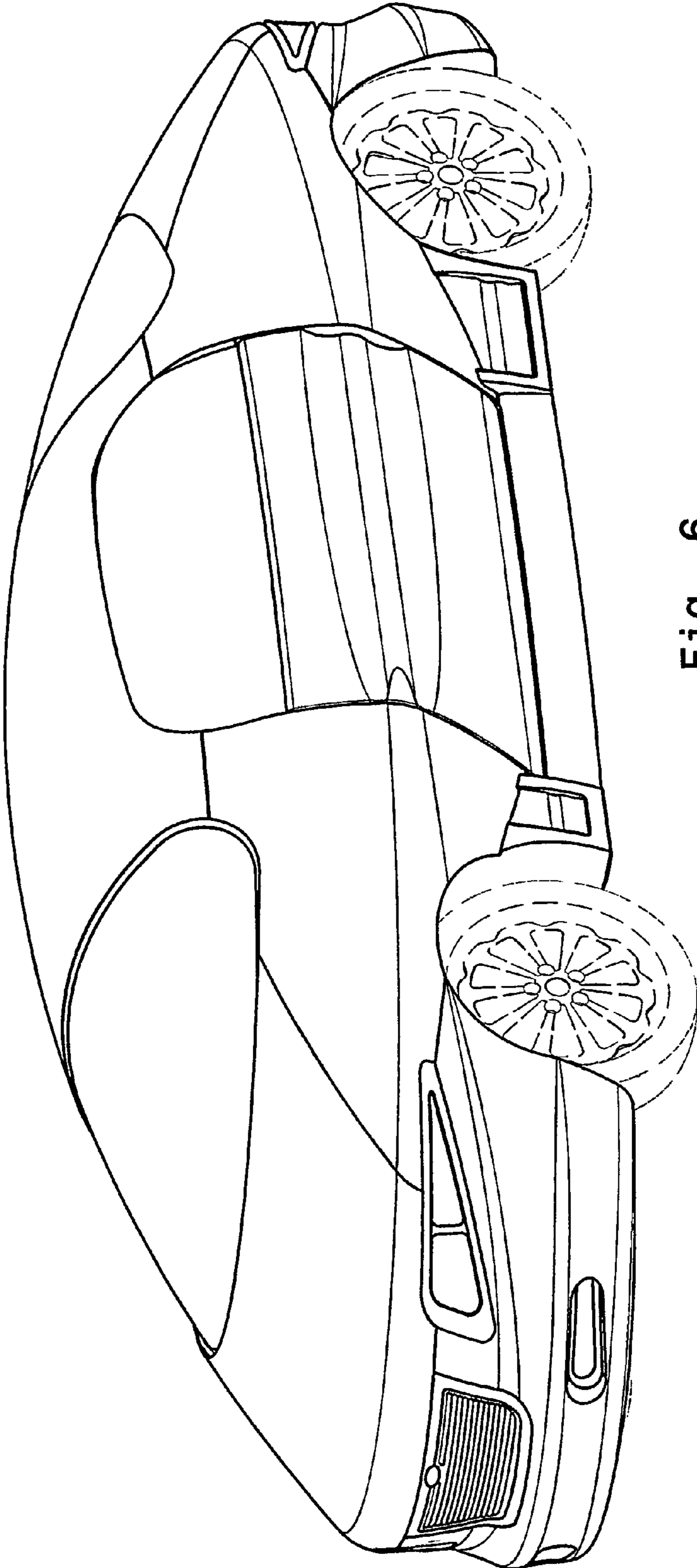


Fig. 6