



US00D774947S

(12) **United States Design Patent** (10) **Patent No.:** **US D774,947 S**
Anscheidt et al. (45) **Date of Patent:** **** Dec. 27, 2016**

(54) **MOTOR VEHICLE**

(71) Applicant: **VOLKSWAGEN AKTIENGESELLSCHAFT**,
Wolfsburg (DE)

(72) Inventors: **Achim Anscheidt**, Wolfsburg (DE);
Etienne Salomé, Wolfsburg (DE);
Frank Heyl, Wolfsburg (DE);
Alexander Selipanov, Wolfsburg (DE)

(73) Assignee: **VOLKSWAGEN AKTIENGESELLSCHAFT**,
Wolfsburg (DE)

(**) Term: **15 Years**

(21) Appl. No.: **29/540,193**

(22) Filed: **Sep. 22, 2015**

(30) **Foreign Application Priority Data**

Mar. 23, 2015 (DE) 40 2015 100 271

(51) **LOC (10) Cl.** **12-08**

(52) **U.S. Cl.**
USPC **D12/88**

(58) **Field of Classification Search**
USPC D12/86, 90-92, 88; D21/421, 433, 434;
296/181.1, 181.5
CPC B62D 35/00; B62D 25/00; B62D 25/06;
B62D 33/00

See application file for complete search history.

(56) **References Cited**

U.S. PATENT DOCUMENTS

D561,645 S	*	2/2008	Kim	D12/88
D670,605 S	*	11/2012	Nauert	D12/88
D692,345 S	*	10/2013	Murray	D12/88
D715,690 S	*	10/2014	Perini	D12/88
D717,698 S	*	11/2014	Beaven	D12/92
D719,067 S	*	12/2014	Matsumoto	D12/92
D722,535 S	*	2/2015	Baudy	D12/92
D740,175 S	*	10/2015	Bischoff	D12/88
D753,549 S	*	4/2016	Manzoni	D12/88

* cited by examiner

Primary Examiner — Melody N Brown

(74) *Attorney, Agent, or Firm* — Lucas & Mercanti, LLP;
Klaus P. Stoffel

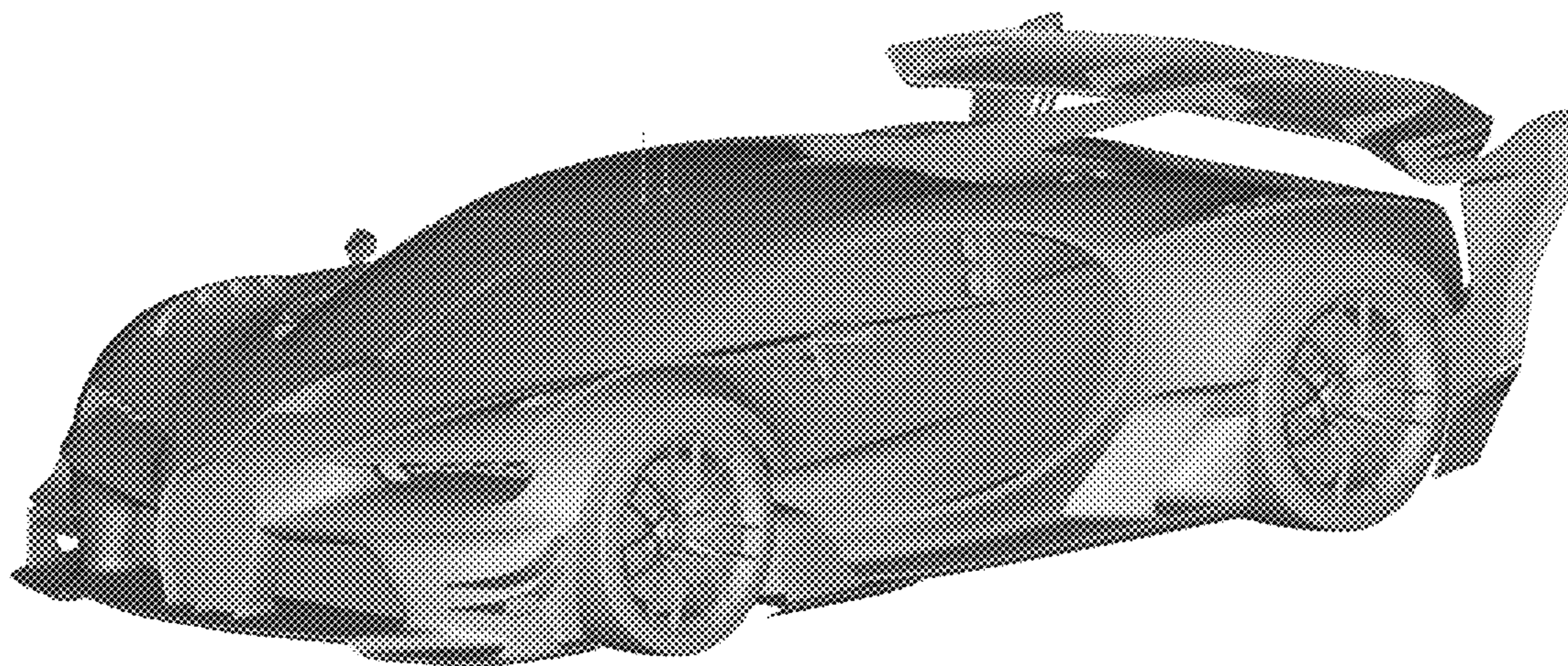
(57) **CLAIM**

The ornamental design for a motor vehicle, as shown and described.

DESCRIPTION

FIG. 1 is a front, right side perspective view of a motor vehicle of the present invention;
FIG. 2 is a rear, right side perspective view thereof;
FIG. 3 is a front view thereof;
FIG. 4 is a rear view thereof;
FIG. 5 is a right side view thereof; and,
FIG. 6 is a top view thereof.

1 Claim, 3 Drawing Sheets



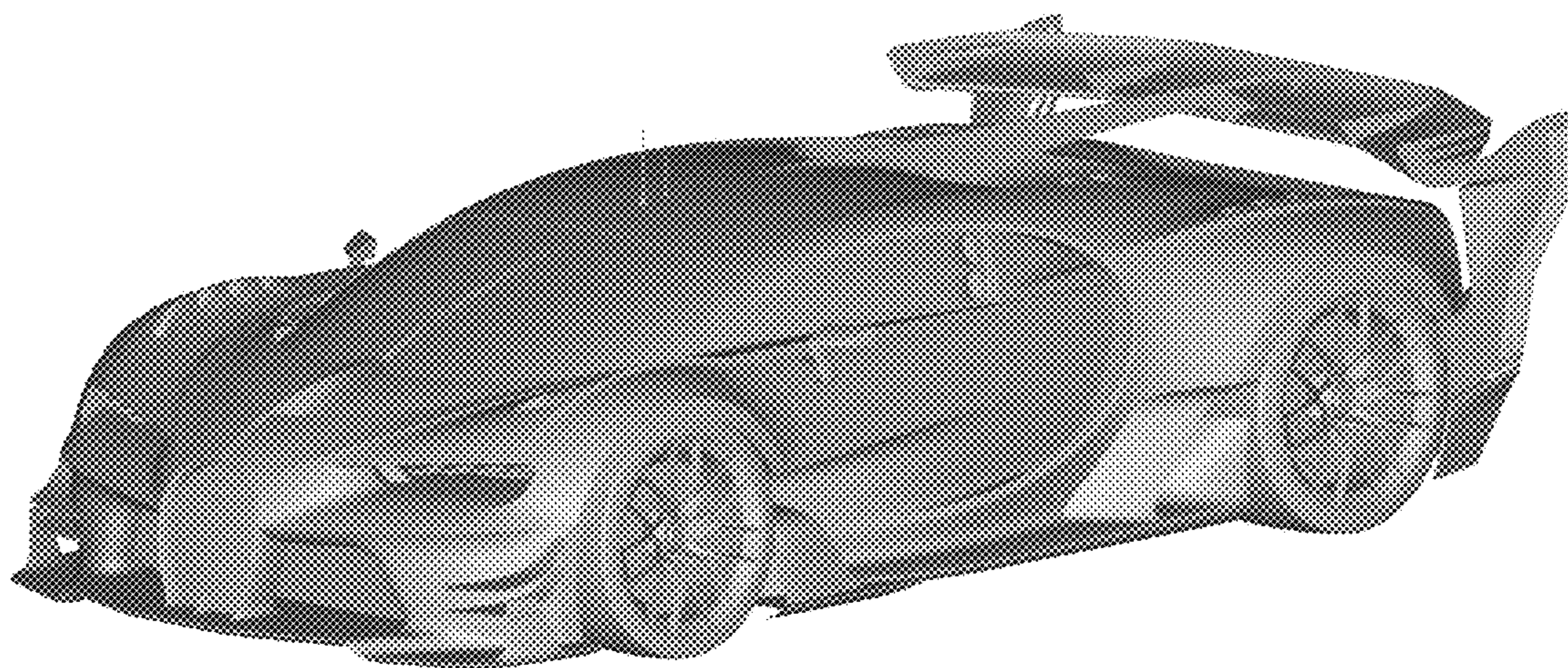


Fig. 1

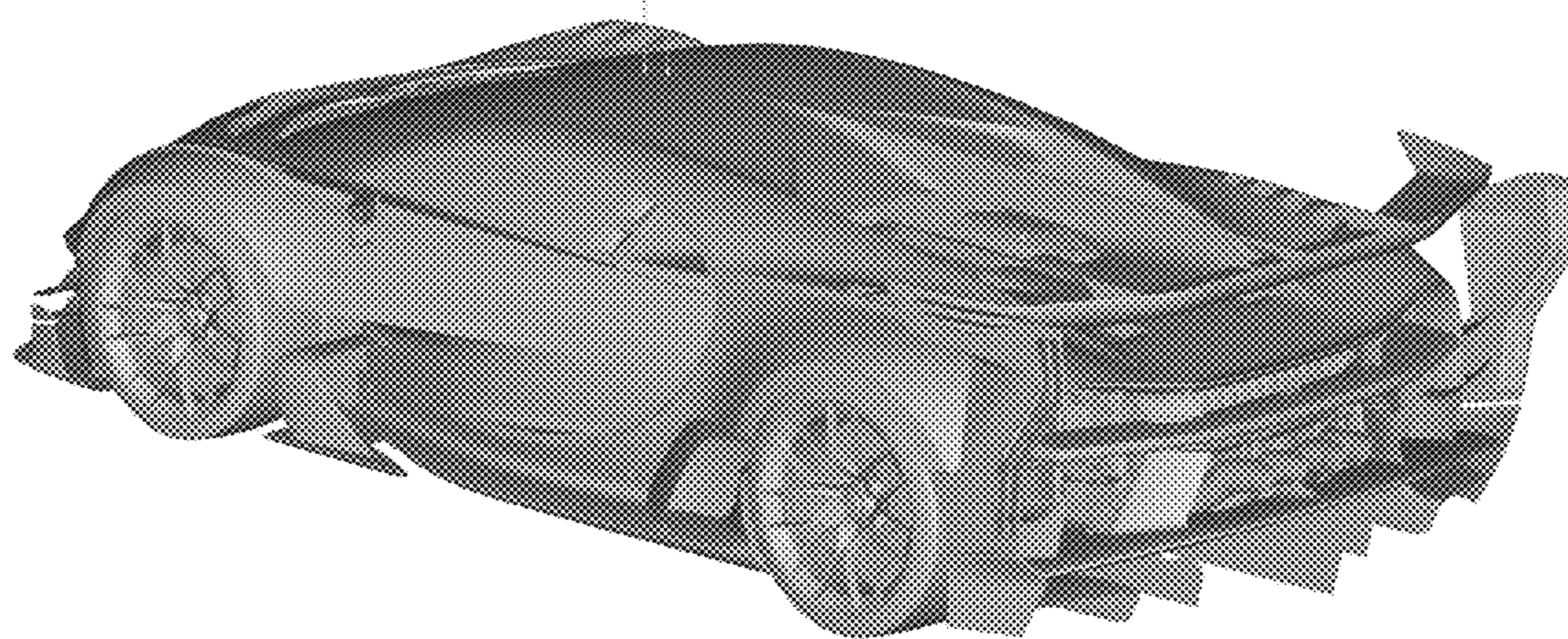


Fig. 2

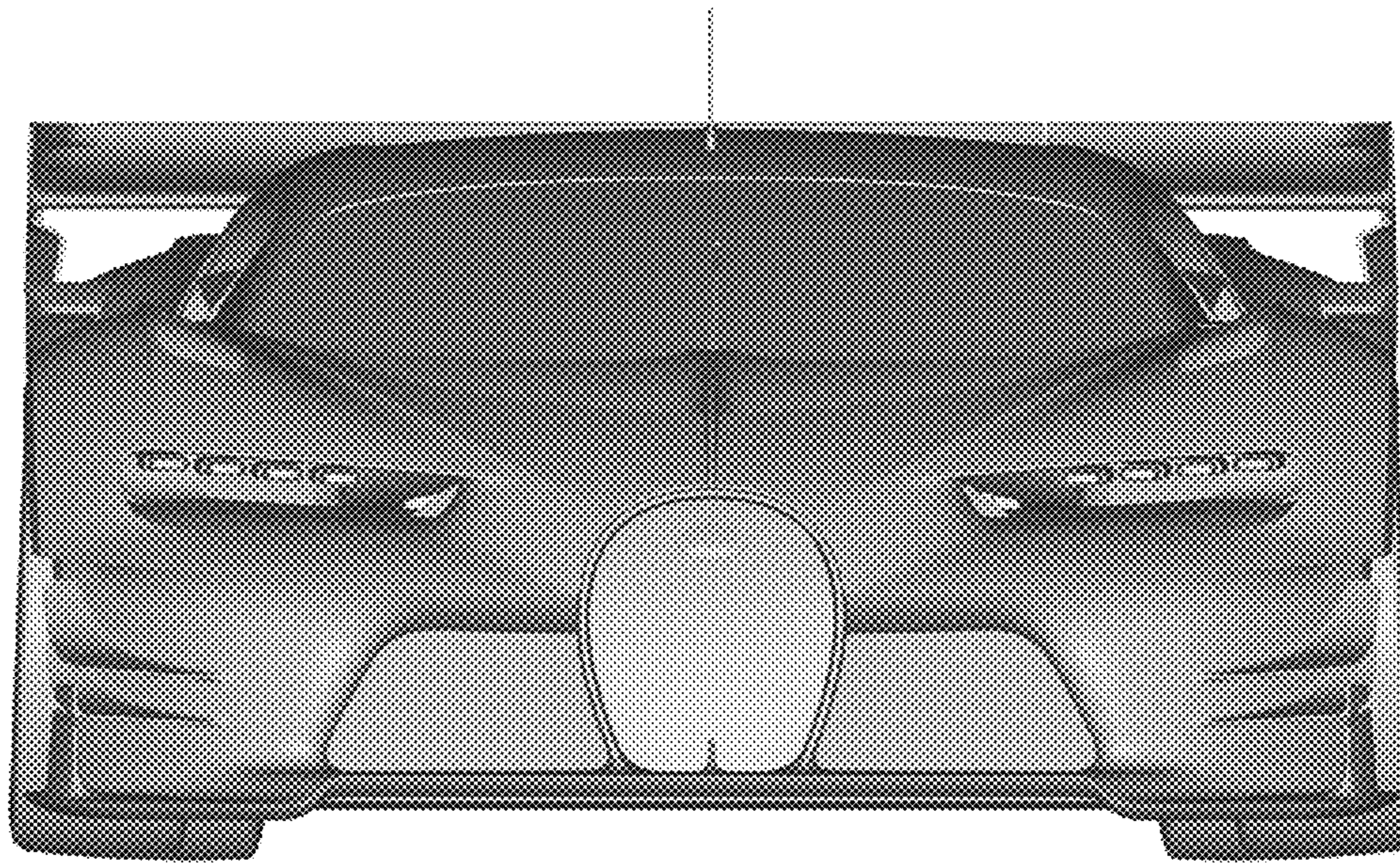


Fig. 3

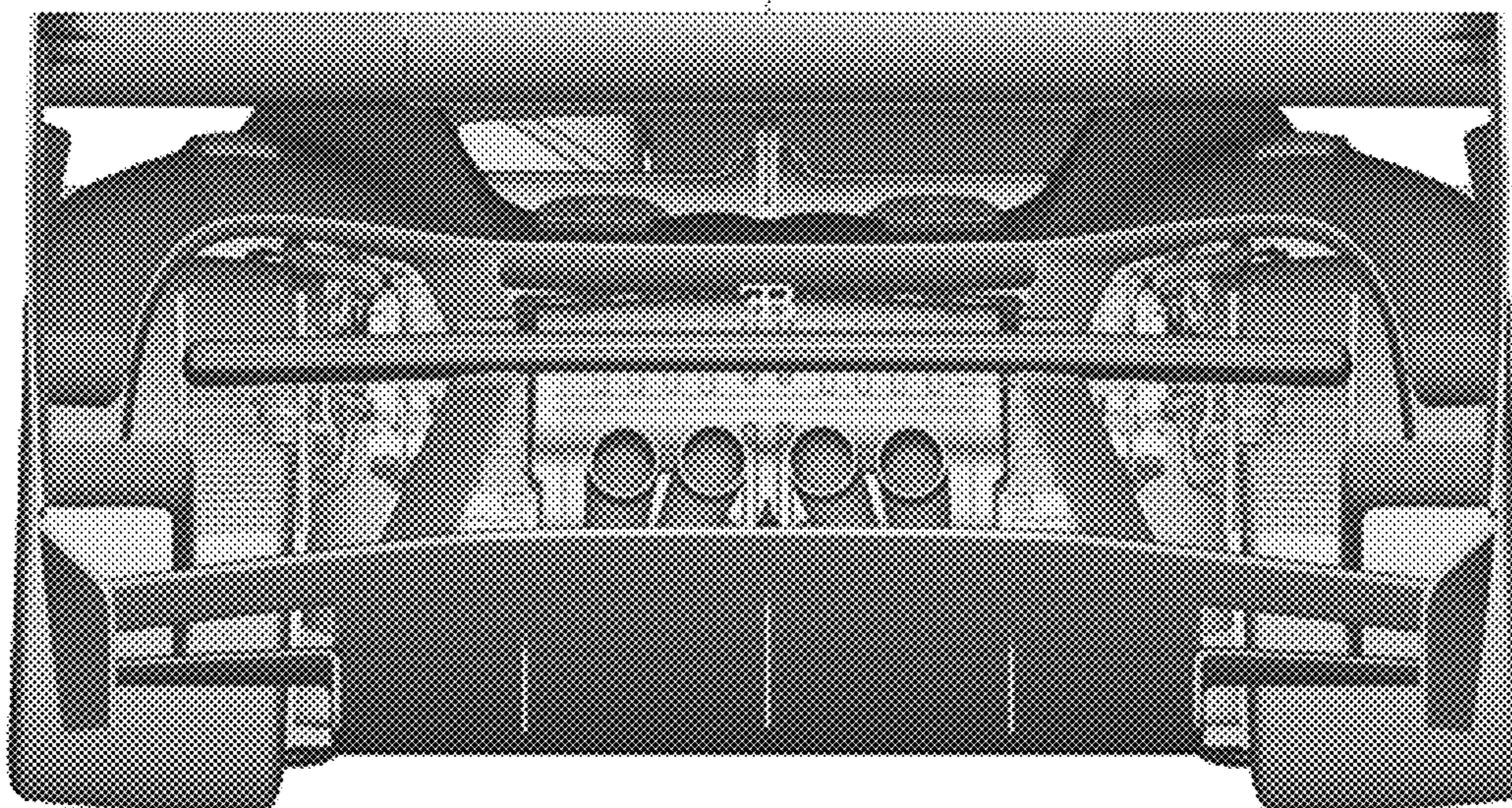


Fig. 4

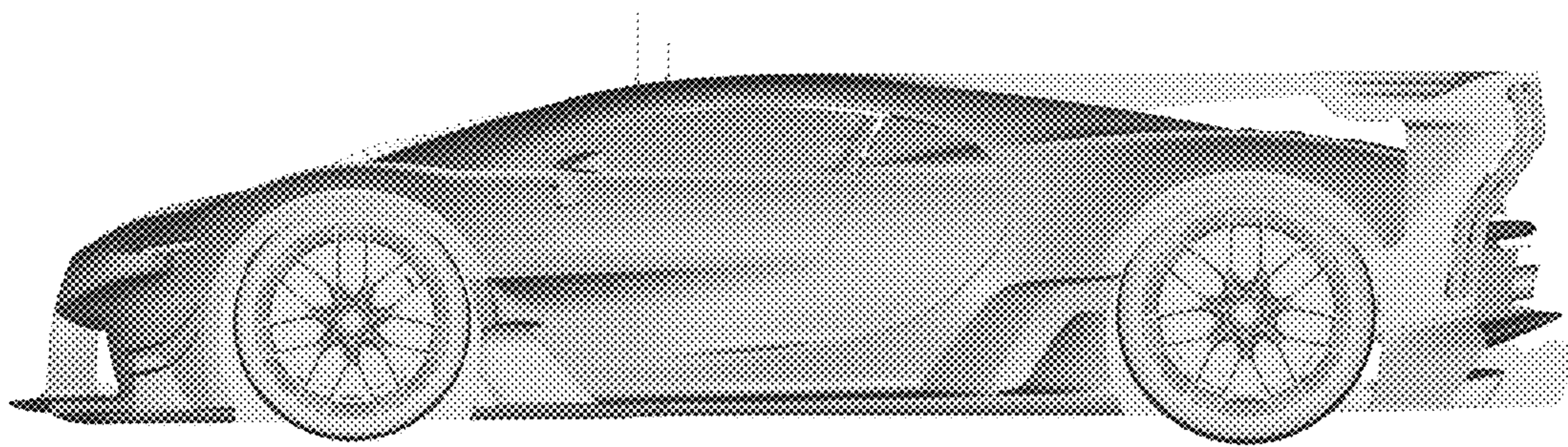


Fig. 5

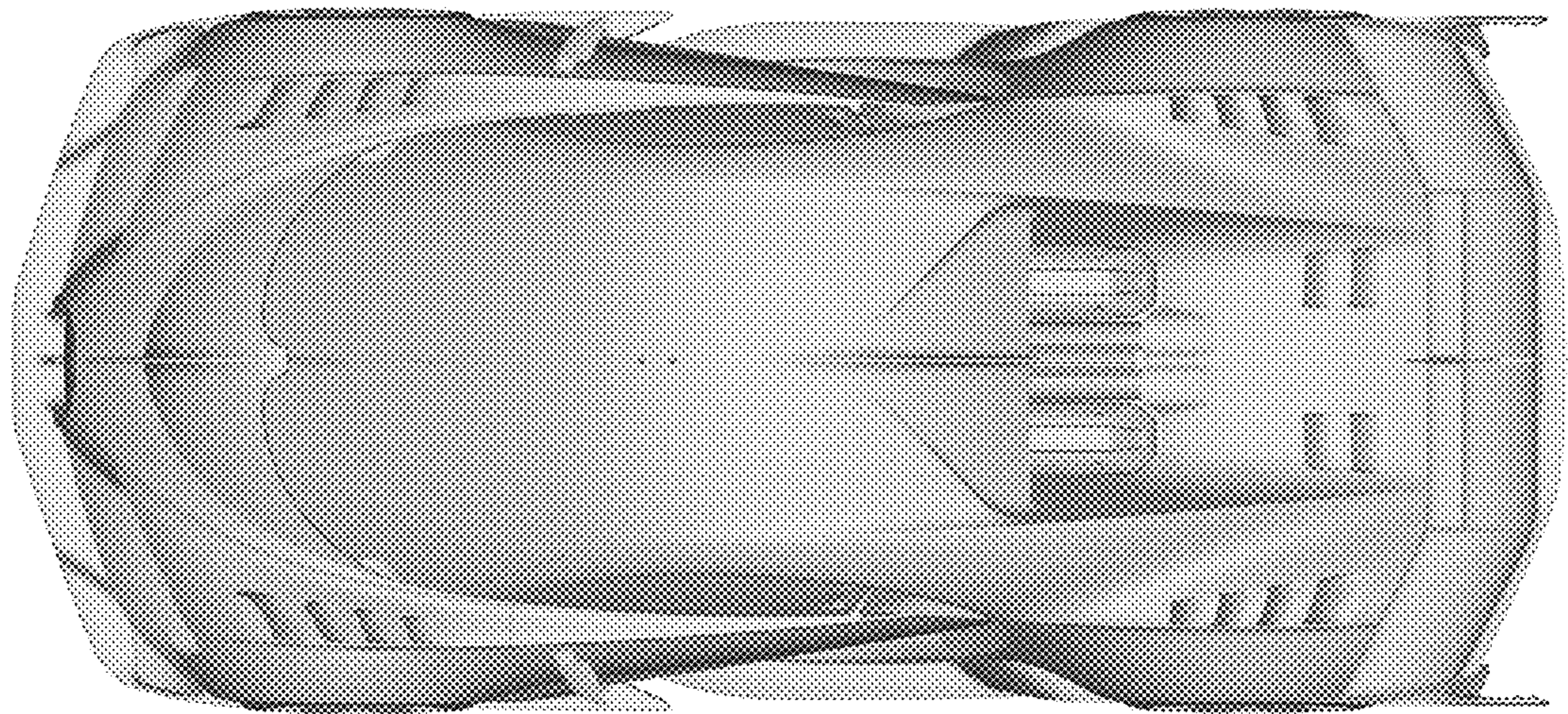


Fig. 6