



US00D774946S

(12) **United States Design Patent**  
**Allison**

(10) **Patent No.:** **US D774,946 S**

(45) **Date of Patent:** **\*\* Dec. 27, 2016**

(54) **CAR, TOY REPLICA AND/OR OTHER REPLICA**

(71) Applicant: **Ferrari S.p.A.**, Modena (IT)

(72) Inventor: **James Shakespeare Allison**, Maranello (IT)

(73) Assignee: **Ferrari S.p.A.**, Modena (IT)

(\*\*) Term: **15 Years**

(21) Appl. No.: **29/534,392**

(22) Filed: **Jul. 28, 2015**

(30) **Foreign Application Priority Data**

Jan. 29, 2015 (EM) ..... 002623256  
Jan. 29, 2015 (EM) ..... 002623272

(51) **LOC (10) Cl.** ..... **12-08**

(52) **U.S. Cl.**  
USPC ..... **D12/88**

(58) **Field of Classification Search**  
USPC ..... D12/86, 90-92, 88; D21/421, 433, 434;  
296/181.1, 181.5  
CPC ..... B62D 35/00; B62D 25/00; B62D 25/06;  
B62D 33/00  
See application file for complete search history.

(56) **References Cited**

**U.S. PATENT DOCUMENTS**

D528,041 S \* 9/2006 Costa ..... D12/88  
D576,918 S \* 9/2008 Dockery ..... D12/88

D577,314 S \* 9/2008 Dockery ..... D12/88  
D597,442 S \* 8/2009 Steinhauer ..... D12/88  
D610,949 S \* 3/2010 Tombazis ..... D12/88  
D630,552 S \* 1/2011 Tombazis ..... D12/88  
D665,306 S \* 8/2012 Tombazis ..... D12/88  
D707,590 S \* 6/2014 Bowlby ..... D12/88  
D710,252 S \* 8/2014 Tombazis ..... D12/88  
D714,188 S \* 9/2014 Bowlby ..... D12/88  
D727,208 S \* 4/2015 Allison ..... D12/88

\* cited by examiner

*Primary Examiner* — Melody N Brown

(74) *Attorney, Agent, or Firm* — Cowan, Liebowitz & Latman, P.C.

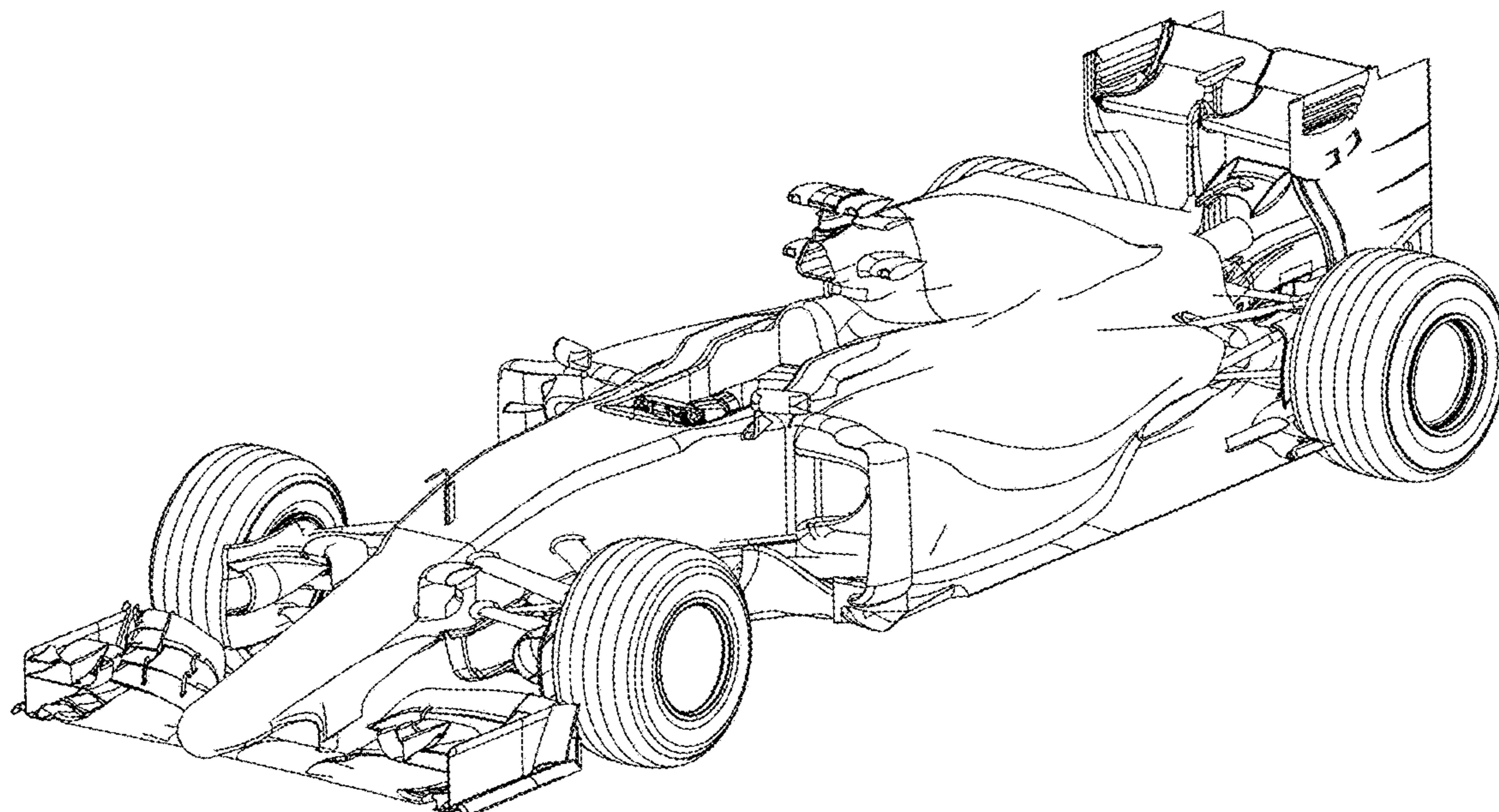
(57) **CLAIM**

The ornamental design for a car, toy replica and/or other replicas, as shown and described.

**DESCRIPTION**

FIG. 1 is a front perspective view of a car, toy replica and/or other replicas showing my new design;  
FIG. 2 is a rear perspective view thereof;  
FIG. 3 is a front view thereof;  
FIG. 4 is a rear view thereof;  
FIG. 5 is a side view thereof, the opposite side a mirror image of that side shown; and,  
FIG. 6 is a top plan view thereof.

**1 Claim, 6 Drawing Sheets**



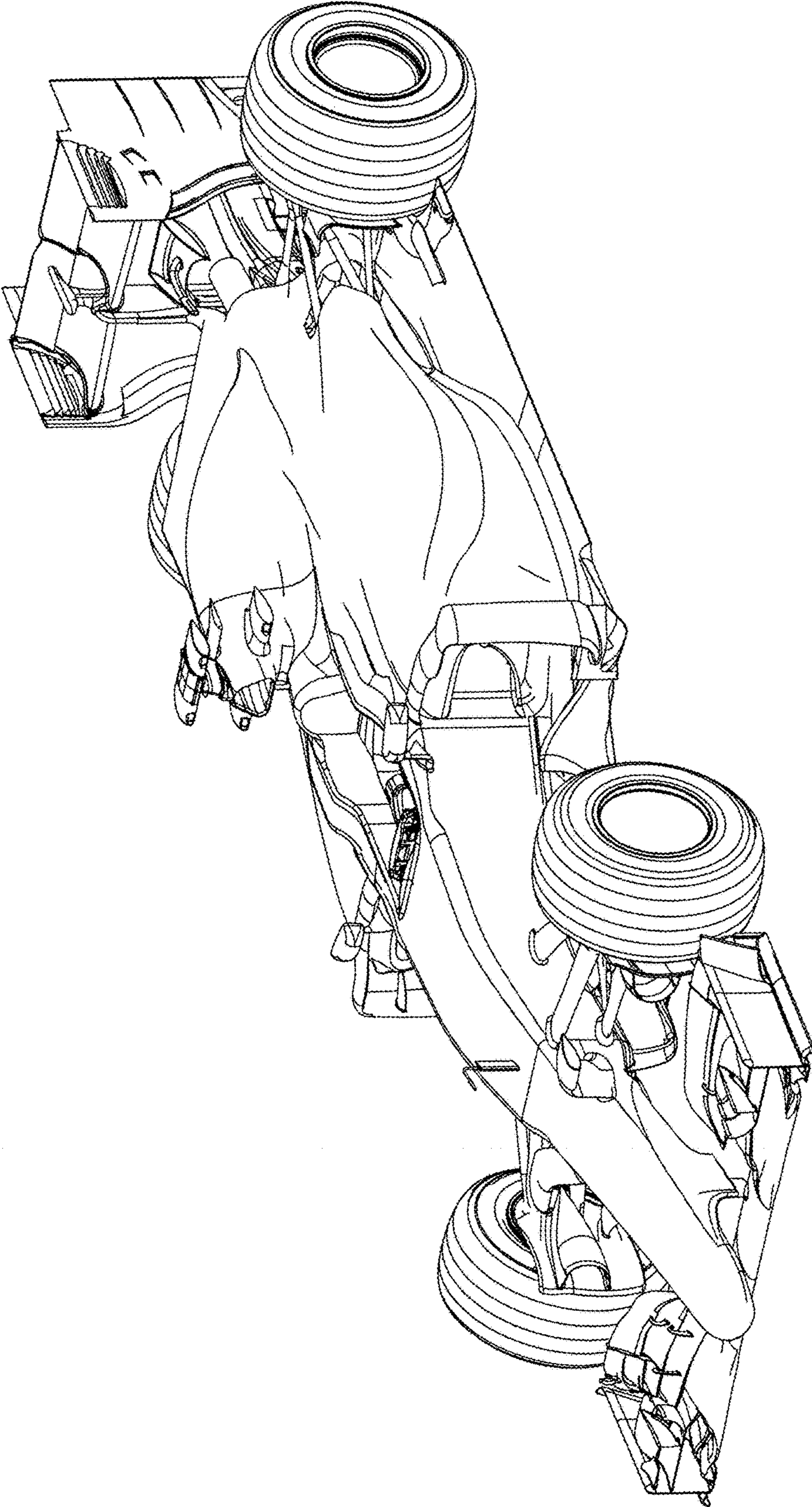


FIG. 1

FIG. 2

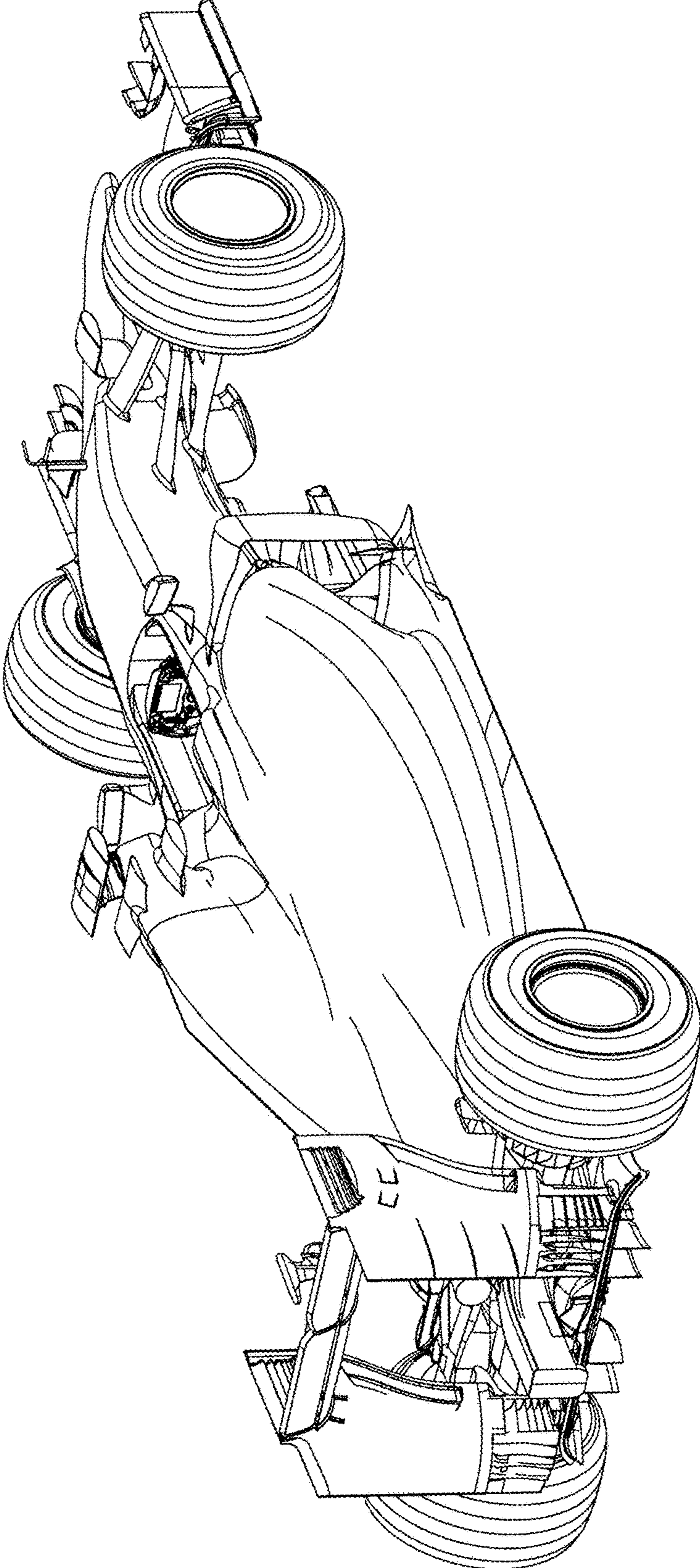


FIG. 3

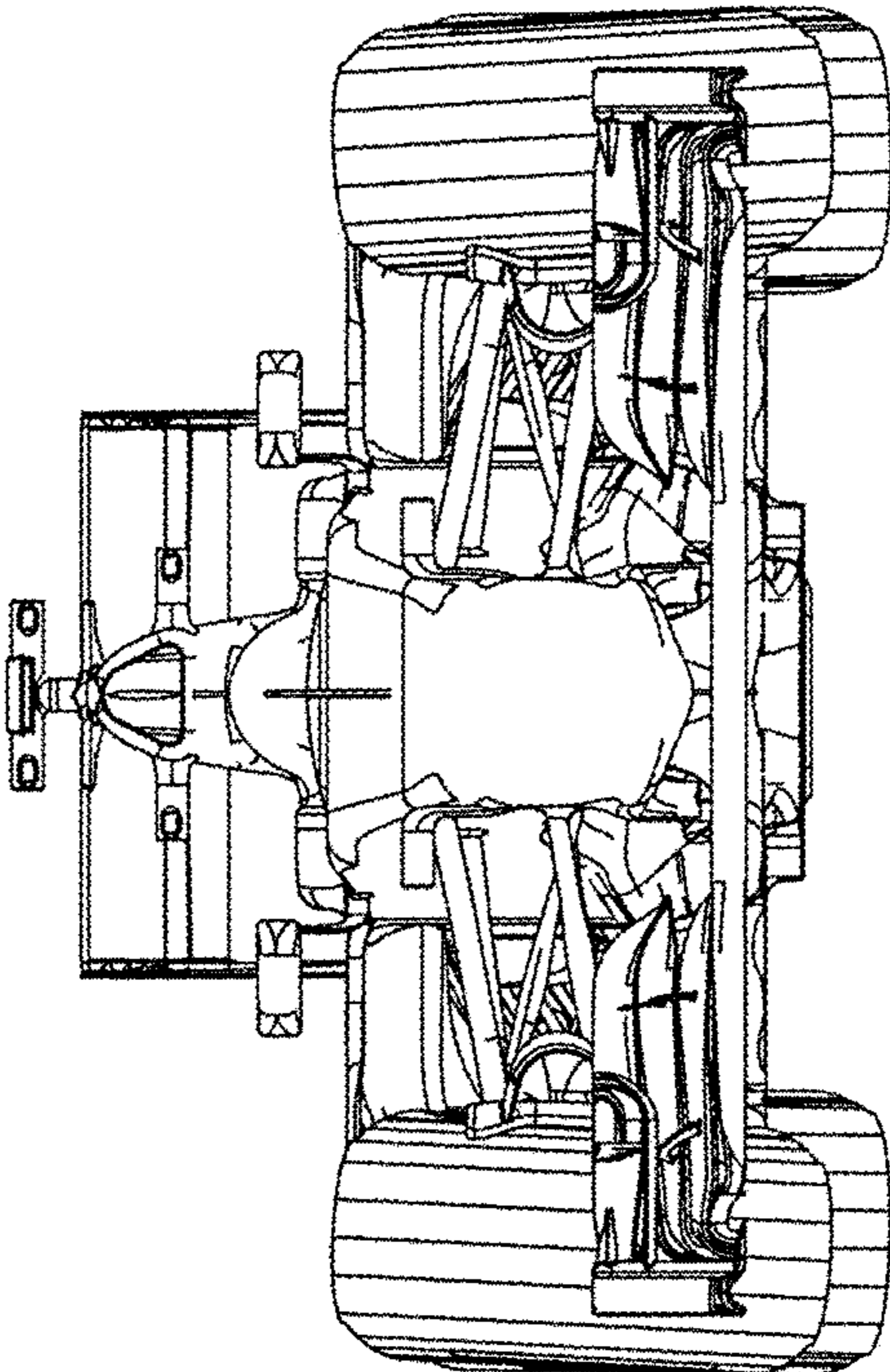


FIG. 4

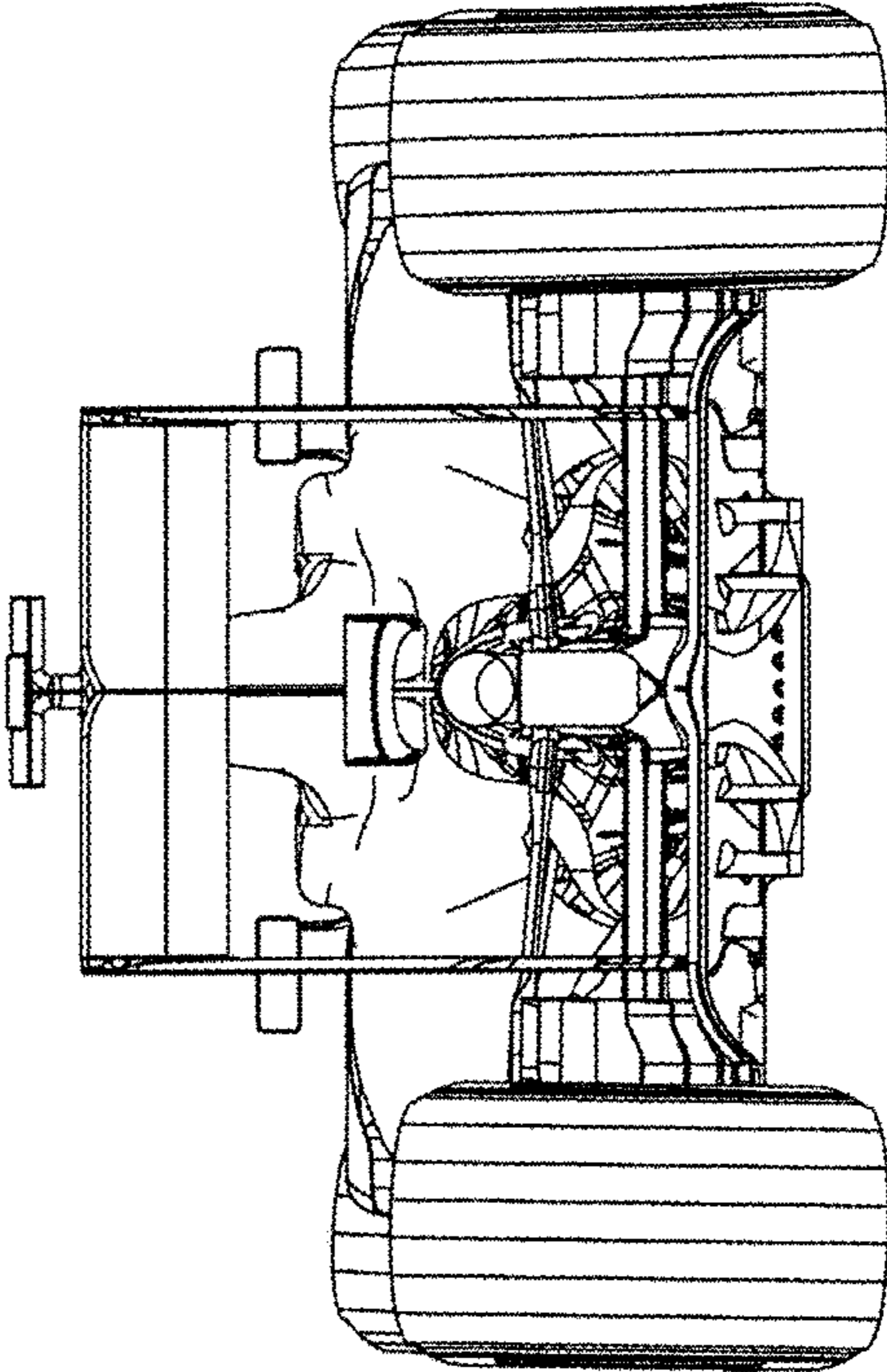


FIG. 5

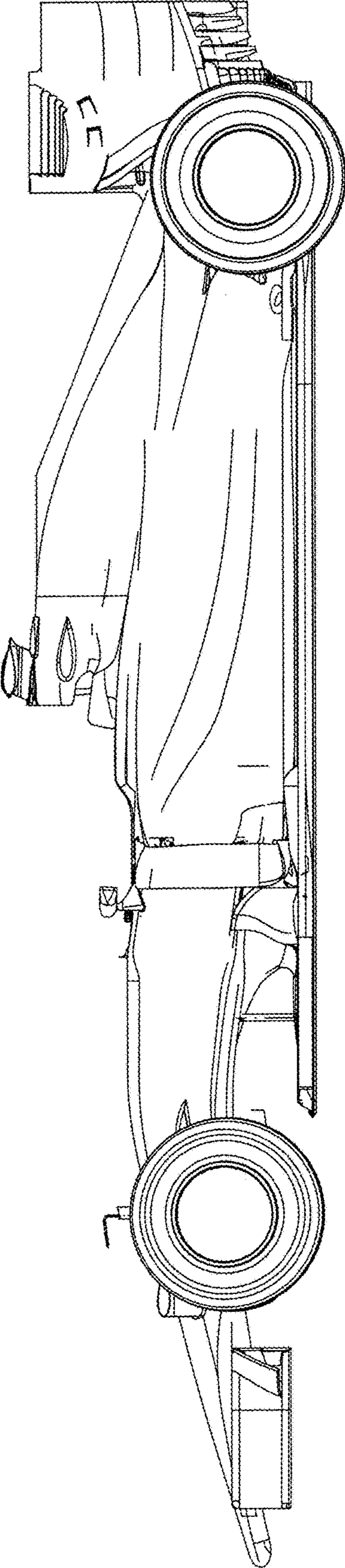


FIG. 6

