



US00D774945S

(12) **United States Design Patent**
Frahm et al.

(10) **Patent No.:** **US D774,945 S**

(45) **Date of Patent:** **** Dec. 27, 2016**

(54) **MOTOR SCOOTER**

(71) Applicant: **Trefor A/S**, Kolding (DK)

(72) Inventors: **Søren Xerxes Frahm**, Horsens (DK);
Robert Byriël Riedel, Horsens (DK)

(73) Assignee: **TREFOR A/S**, Kolding (DK)

(**) Term: **14 Years**

(21) Appl. No.: **29/499,466**

(22) Filed: **Aug. 15, 2014**

(30) **Foreign Application Priority Data**

Feb. 17, 2014 (EM) 002405902-0001

Feb. 17, 2014 (EM) 002405902-0002

(51) **LOC (10) Cl.** **12-08**

(52) **U.S. Cl.**
USPC **D12/85**

(58) **Field of Classification Search**
USPC D12/85, 86, 107, 131; D21/424, 433,
D21/434; 180/65.1, 210-212, 311, 312,
180/908; 296/181.1, 181.5; 280/88, 264,
280/267, 288.1; D15/10, 14-17, 22-26
CPC B62D 21/11; B62D 29/043; B62D 31/00;
B62D 49/00; B62D 61/065; B62L 3/00;
B62K 3/005; B62K 5/01; B62K
5/08; B62K 5/027
See application file for complete search history.

(56) **References Cited**

U.S. PATENT DOCUMENTS

D260,871 S * 9/1981 Cargile D12/85
4,573,546 A * 3/1986 Irimajiri B62D 61/065
180/211
4,703,824 A * 11/1987 Irimajiri B62D 61/065
180/210
D404,688 S * 1/1999 Hanagan D12/85

6,015,022 A * 1/2000 Thuliez B62D 21/04
180/210
D424,979 S * 5/2000 Hanagan D12/85
D427,548 S * 7/2000 Sacco D12/85
D449,018 S * 10/2001 Musser D12/85
D469,037 S * 1/2003 Hanagan D12/85
D584,188 S * 1/2009 Jenkins D12/85
D589,844 S * 4/2009 Aube D12/85
D592,547 S * 5/2009 Riley D12/85
D592,548 S * 5/2009 Aube D12/85
D613,203 S * 4/2010 Geslin D12/85
D626,032 S * 10/2010 Starr D12/85
D633,821 S * 3/2011 Hill D12/85
D666,127 S * 8/2012 Nam D12/85
D678,124 S * 3/2013 Canni D12/85

(Continued)

FOREIGN PATENT DOCUMENTS

JP 59199376 A * 11/1984 B62K 5/04
JP 2008068808 A * 3/2008 B62D 25/00

Primary Examiner — Darlington Ly

(74) *Attorney, Agent, or Firm* — Finnegan, Henderson,
Farabow, Garrett & Dunner, LLP

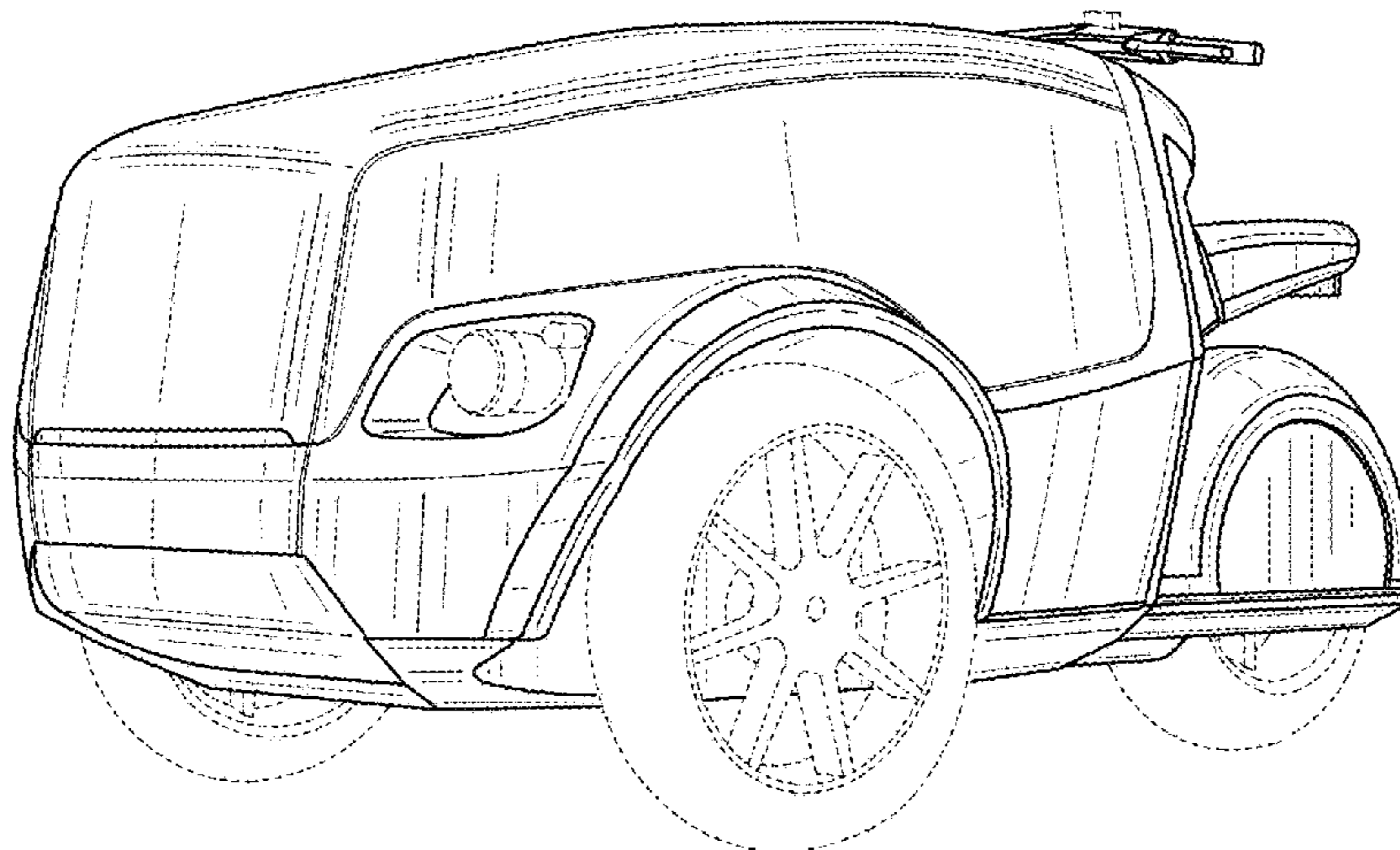
(57) **CLAIM**

The ornamental design for a motor scooter, as shown and described.

DESCRIPTION

FIG. 1 is a front and right side perspective view of a motor scooter showing our new design;
FIG. 2 is a rear and right side perspective view thereof;
FIG. 3 is a front perspective view thereof;
FIG. 4 is a right side elevation view thereof, the left side elevation being a mirror image thereto;
FIG. 5 is a rear perspective view thereof; and,
FIG. 6 is a top plan view thereof.
The broken lines in the drawings illustrate portions of the motor scooter that form no part of the claimed design.

1 Claim, 6 Drawing Sheets



(56)

References Cited

U.S. PATENT DOCUMENTS

D682,158 S * 5/2013 Canni D12/85
2012/0241239 A1 * 9/2012 Holroyd B62K 5/05
180/210

* cited by examiner

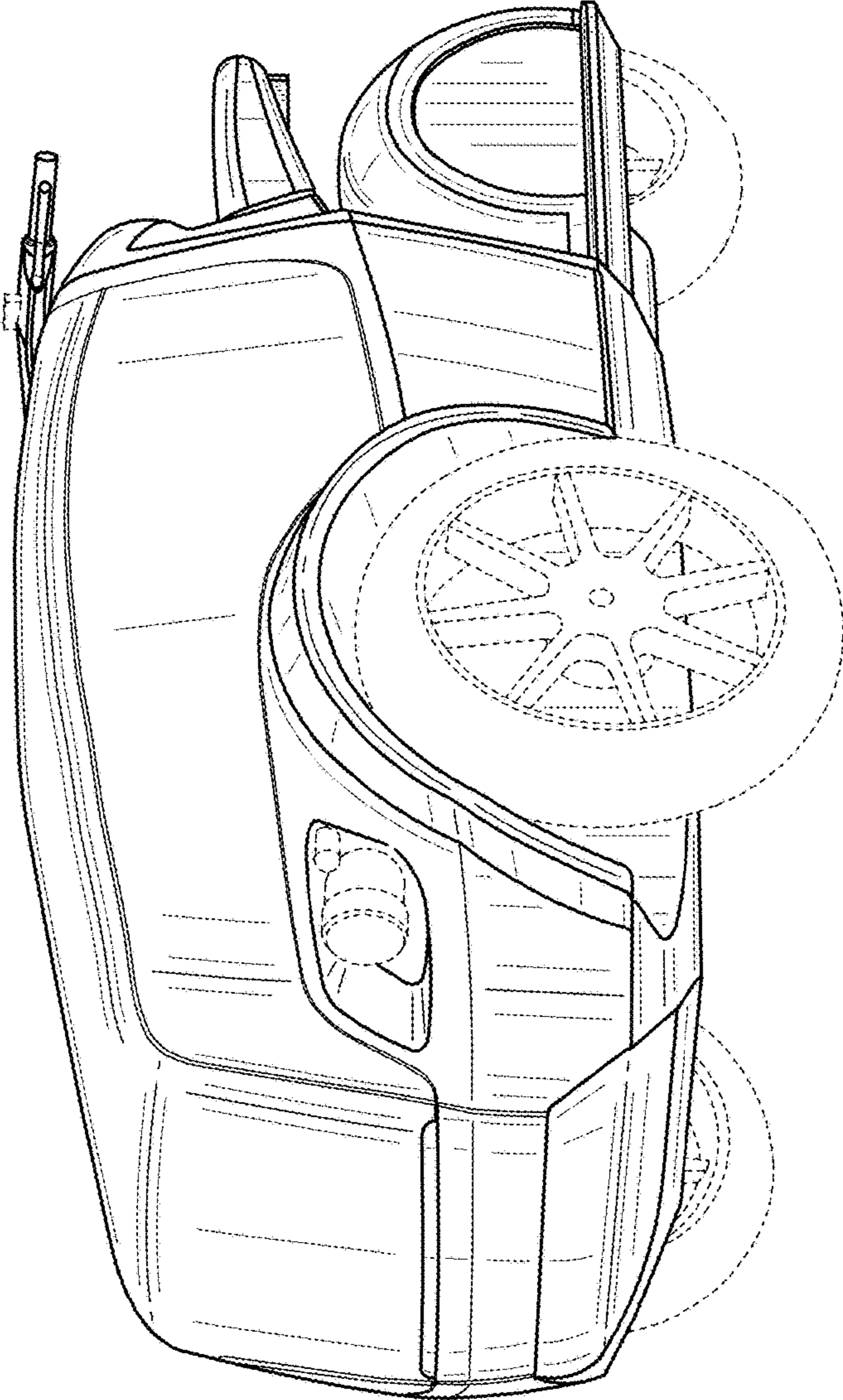


FIG. 1

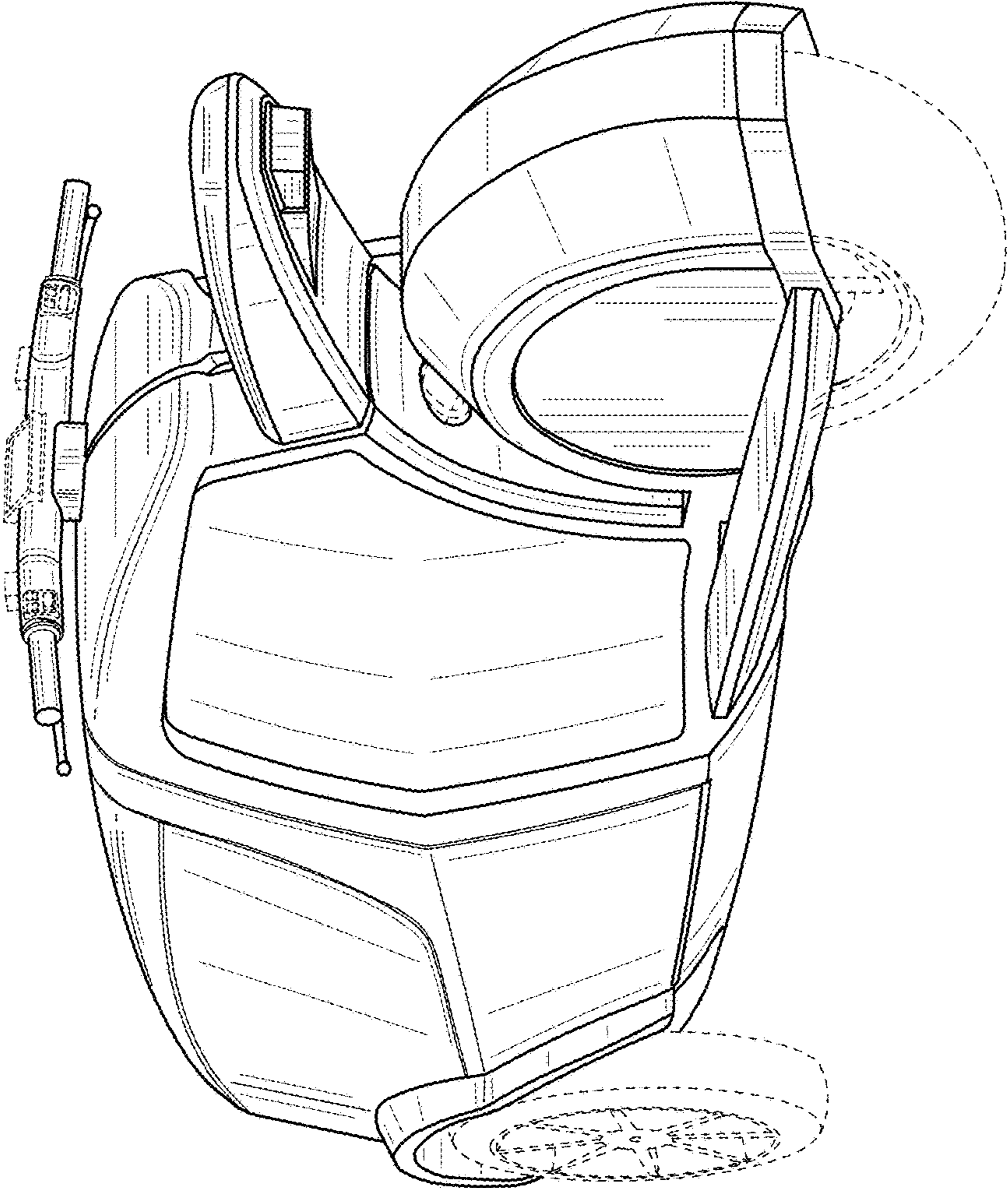


FIG. 2

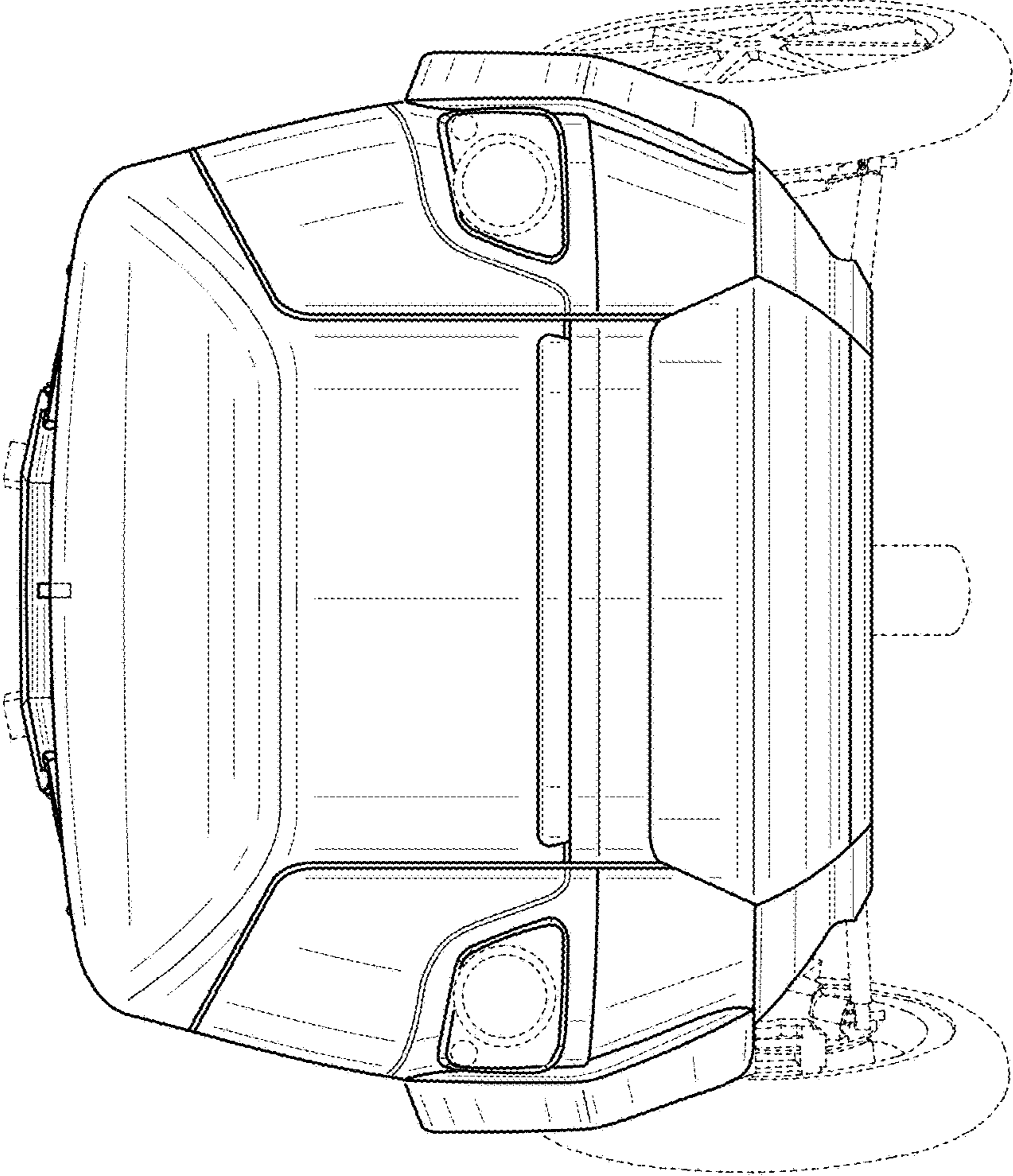


FIG. 3

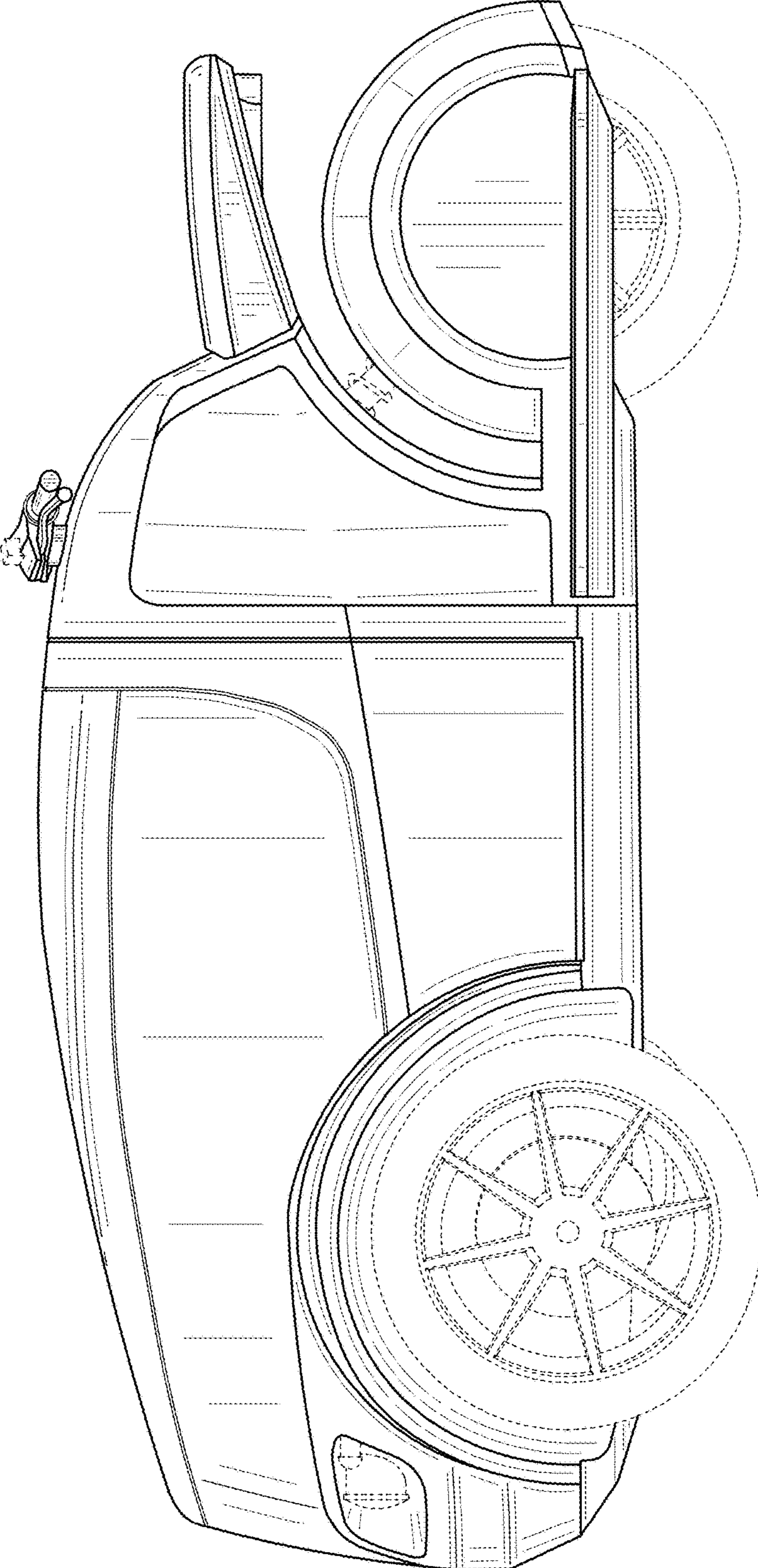


FIG. 4

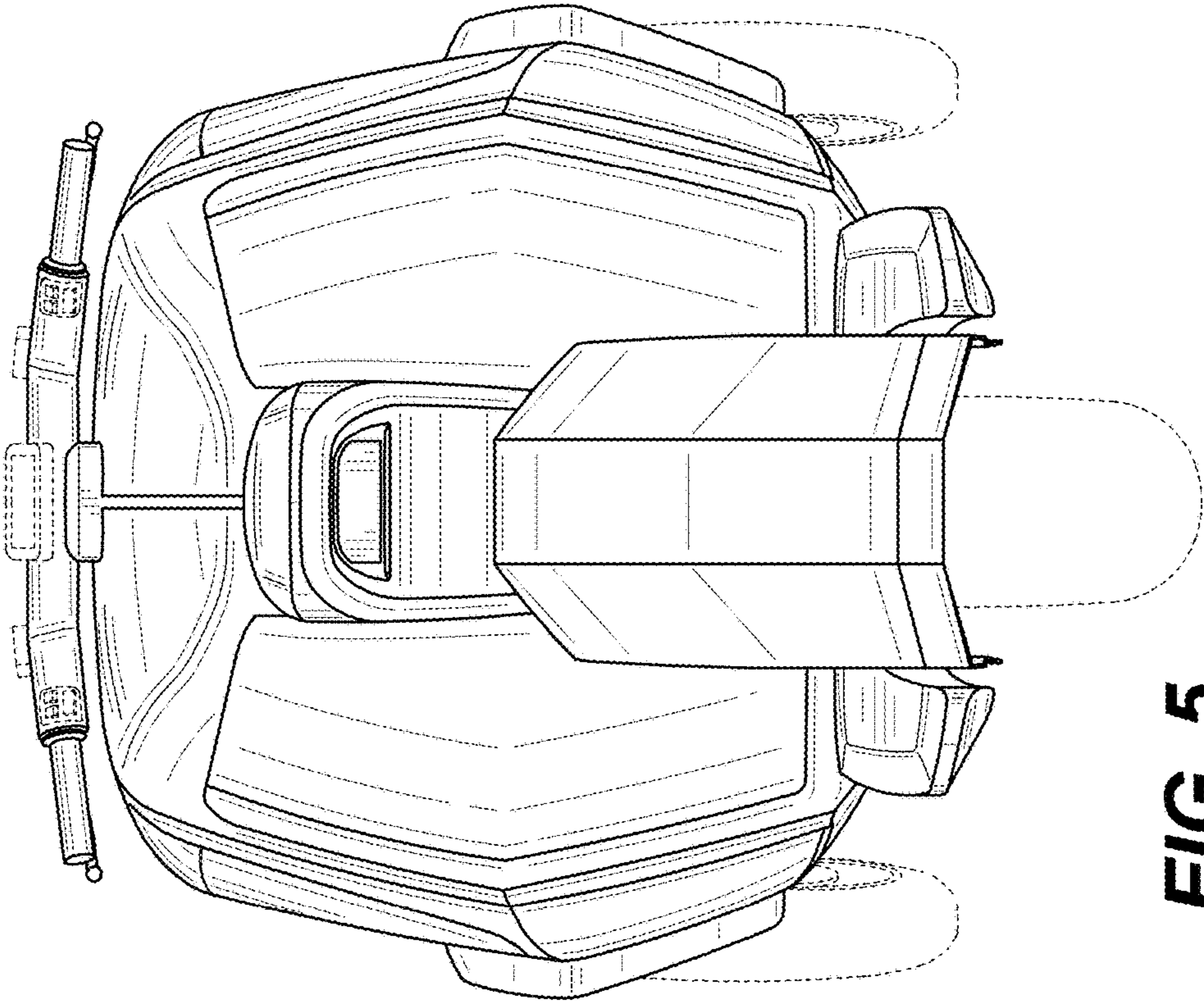


FIG. 5

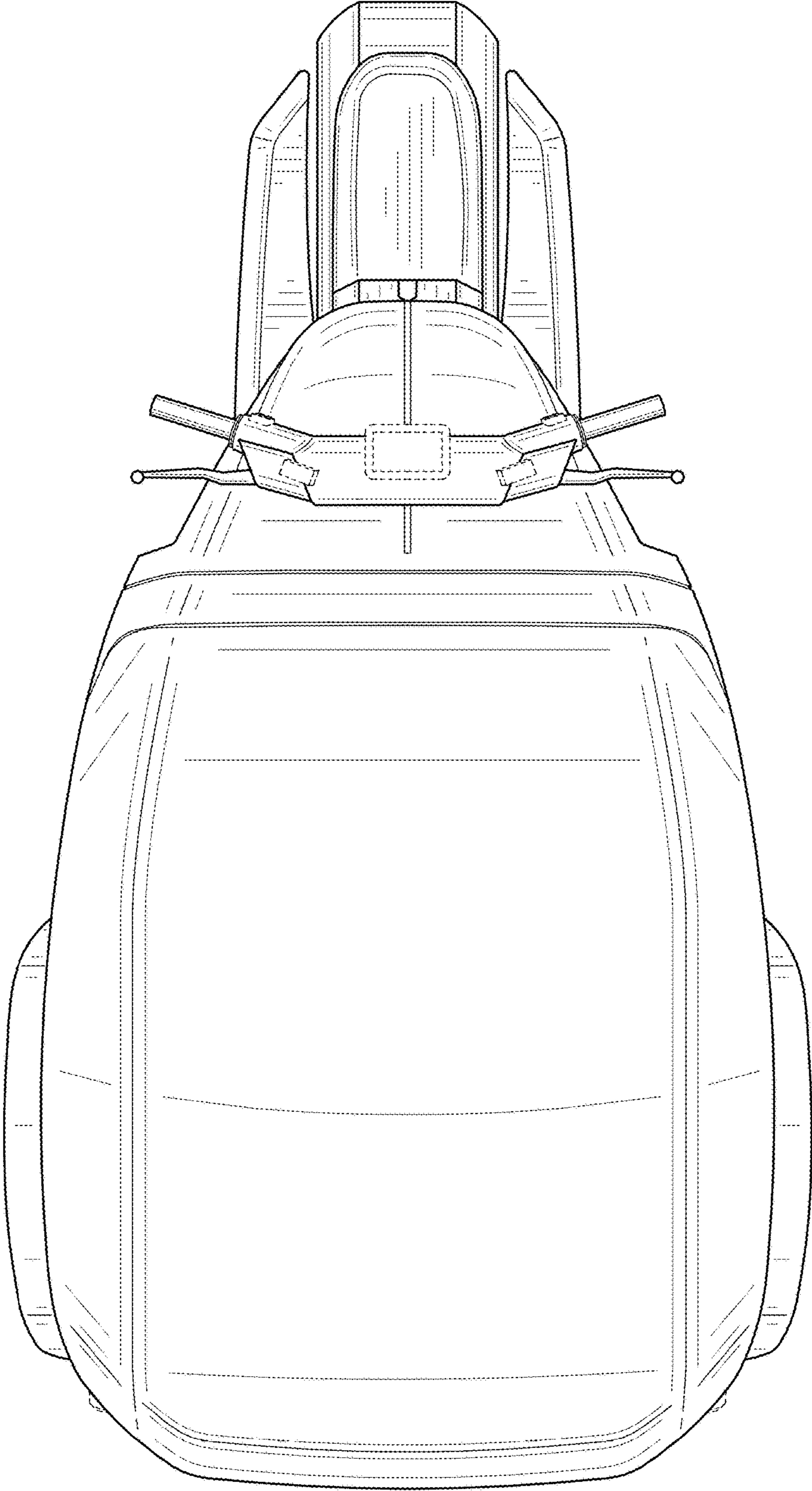


FIG. 6