



US00D774944S

(12) **United States Design Patent**
Guo et al.

(10) **Patent No.:** **US D774,944 S**

(45) **Date of Patent:** **** Dec. 27, 2016**

(54) **BUS**

(71) Applicant: **BYD COMPANY LIMITED**,
Shenzhen (CN)

(72) Inventors: **Kai Guo**, Shenzhen (CN); **Qian Jiang**,
Shenzhen (CN); **Jianchao Li**, Shenzhen
(CN); **Yubo Lian**, Shenzhen (CN);
Yichao Wu, Shenzhen (CN)

(73) Assignee: **BYD COMPANY LIMITED**,
Shenzhen (CN)

(**) Term: **14 Years**

(21) Appl. No.: **29/519,256**

(22) Filed: **Mar. 3, 2015**

(30) **Foreign Application Priority Data**

Sep. 3, 2014 (CN) 2014 3 0323937

(51) **LOC (10) Cl.** **12-08**

(52) **U.S. Cl.**
USPC **D12/84**

(58) **Field of Classification Search**
USPC D12/82, 84, 86, 92, 100; 296/25, 178,
296/203; 280/6.152; 29/897.2
CPC B62D 23/00; B62D 25/00; B62D 31/02;
B62D 31/04; B62D 53/062; B62D 65/00;
B60G 2202/152; B60G 2300/14; B60P
3/007; B21D 53/88
See application file for complete search history.

(56) **References Cited**

U.S. PATENT DOCUMENTS

D248,033 S * 5/1978 James D12/84
D254,609 S * 4/1980 Neal D12/84
D255,340 S * 6/1980 Flesche D12/84
D257,141 S * 9/1980 Flesche D12/84
D268,997 S * 5/1983 Dubernard D12/84

D302,802 S * 8/1989 Manning D12/84
D305,623 S * 1/1990 Gallitzendoerfer D12/84
D345,120 S * 3/1994 Normand, Jr. D12/84
D376,562 S * 12/1996 Sealy D12/84
5,669,307 A * 9/1997 Cichy B61B 1/02
104/28
D442,888 S * 5/2001 Papke D12/84
D503,126 S * 3/2005 Papke D12/84
D531,933 S * 11/2006 Delamour D12/84
D537,755 S * 3/2007 Toth D12/84

(Continued)

OTHER PUBLICATIONS

“BYD K9 Electric Bus to Be Tested in Denmark.” China Auto Web.,
Mar. 16, 2011 [online], [retrieved on Jul. 27, 2016]. Retrieved from
the Internet <URL: <http://chinaautoweb.com/2011/03/byd-k9-electric-bus-to-be-tested-in-denmark/>>.*

(Continued)

Primary Examiner — Darlington Ly

(74) *Attorney, Agent, or Firm* — Morgan, Lewis &
Bockius LLP

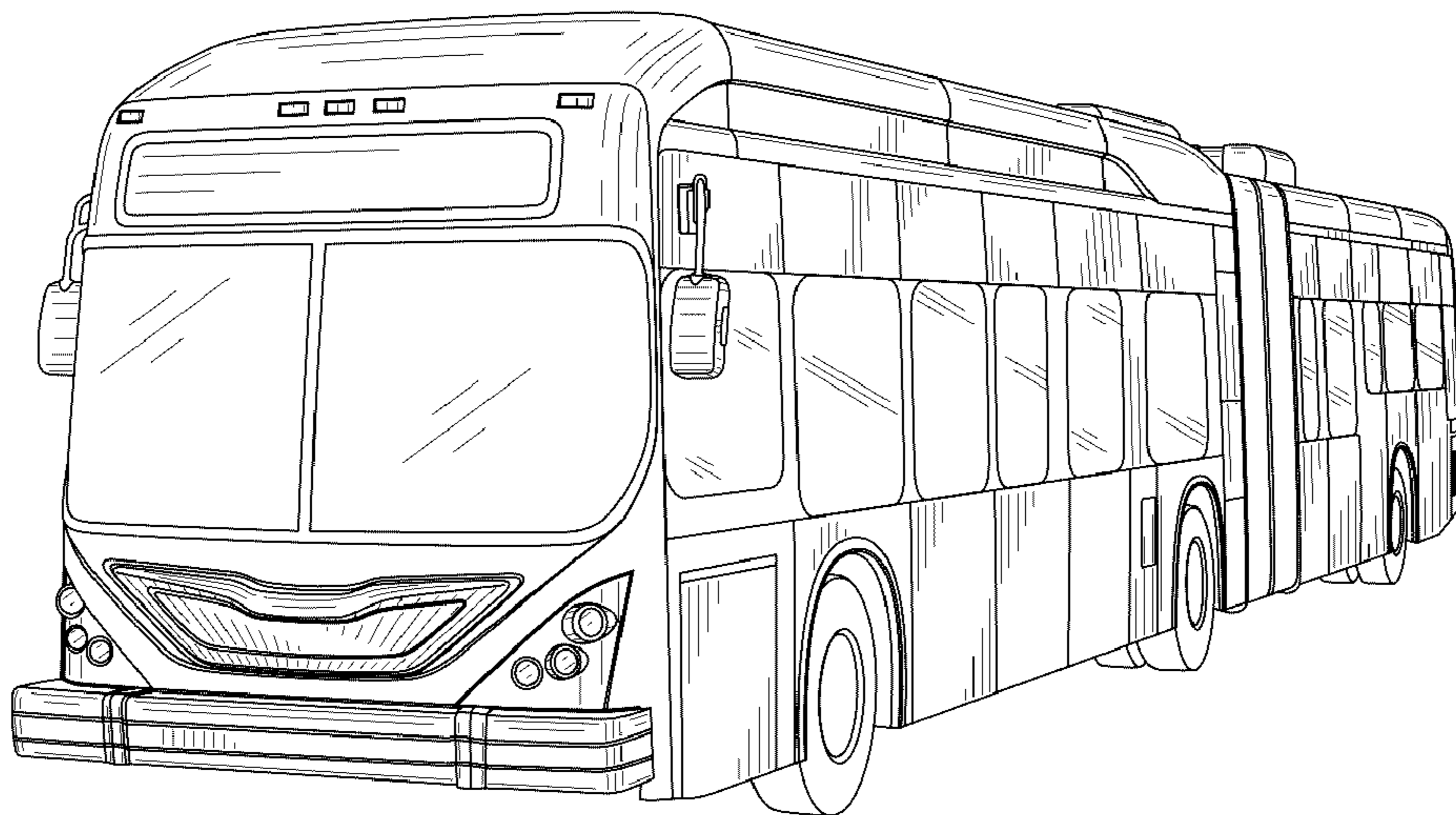
(57) **CLAIM**

The ornamental design for a bus, substantially as shown and
described.

DESCRIPTION

FIG. 1 is a front elevation view of a bus in accordance with
our design;
FIG. 2 is a rear elevation view thereof;
FIG. 3 is a left side elevation view thereof;
FIG. 4 is a right side elevation view thereof;
FIG. 5 is a top plan view thereof;
FIG. 6 is a front perspective view thereof; and,
FIG. 7 is a rear perspective view thereof.
The broken lines in the drawings illustrate portions of the
bus that forms no part of the claimed design.

1 Claim, 4 Drawing Sheets



(56)

References Cited

U.S. PATENT DOCUMENTS

D617,236	S *	6/2010	Counts	D12/84
D637,520	S *	5/2011	Kerr	D12/84
D642,092	S *	7/2011	Wiens	D12/84
D704,595	S *	5/2014	Streicher	D12/84
D714,187	S *	9/2014	Lian	D12/84
D717,210	S *	11/2014	Wang	D12/84
D718,659	S *	12/2014	Lin	D12/84
D721,297	S *	1/2015	Zhang	D12/84
D721,298	S *	1/2015	Li	D12/84
2009/0224570	A1 *	9/2009	Haswell	B62D 47/02 296/178
2012/0161469	A1 *	6/2012	Kerr	B62D 47/02 296/178

OTHER PUBLICATIONS

“Europe’s Largest Electric Bus Contract Awarded to BYD.” Electric Cars Report., Jul. 17, 2013 [online], [retrieved on Jul. 27, 2016]. Retrieved from the Internet <URL: <http://electriccarsreport.com/2013/07/europes-largest-electric-bus-contract-awarded-to-byd/>>.*

“More Choices and a Better Experience with Royal Excursion.” Royal Excursion., Apr. 18, 2014 [online], [retrieved on Jul. 27, 2016]. Retrieved from the Internet <URL: <http://www.royalexursion.com/>>.*

Gambetta, Vern. “The Parable of the Buses.” Elite Track—Sport Training & Conditioning., Oct. 11, 2014 [online], [retrieved on Jul. 27, 2016]. Retrieved from the Internet <URL: <http://elitetrack.com/parable-buses/>>.*

* cited by examiner

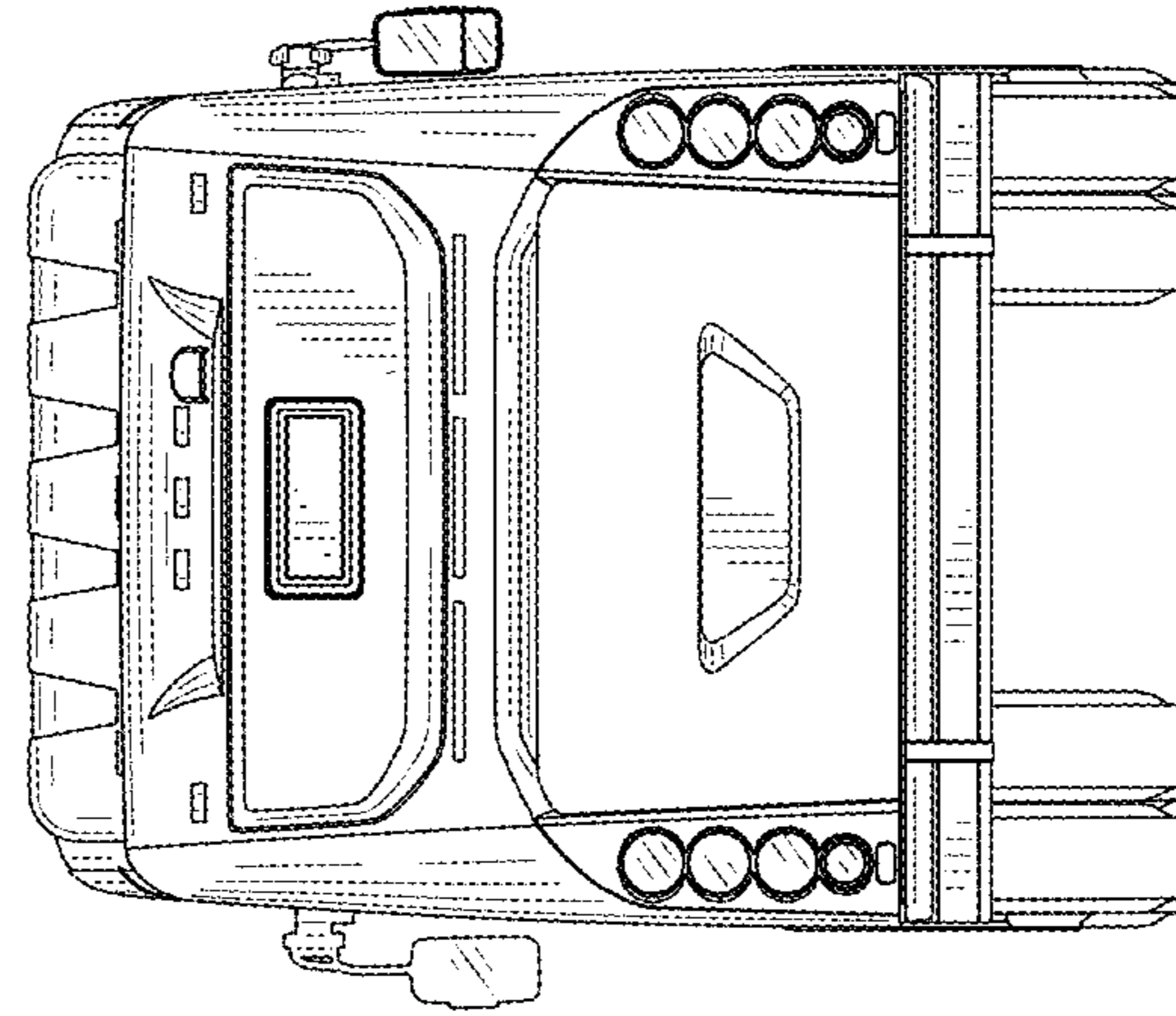


FIG. 1

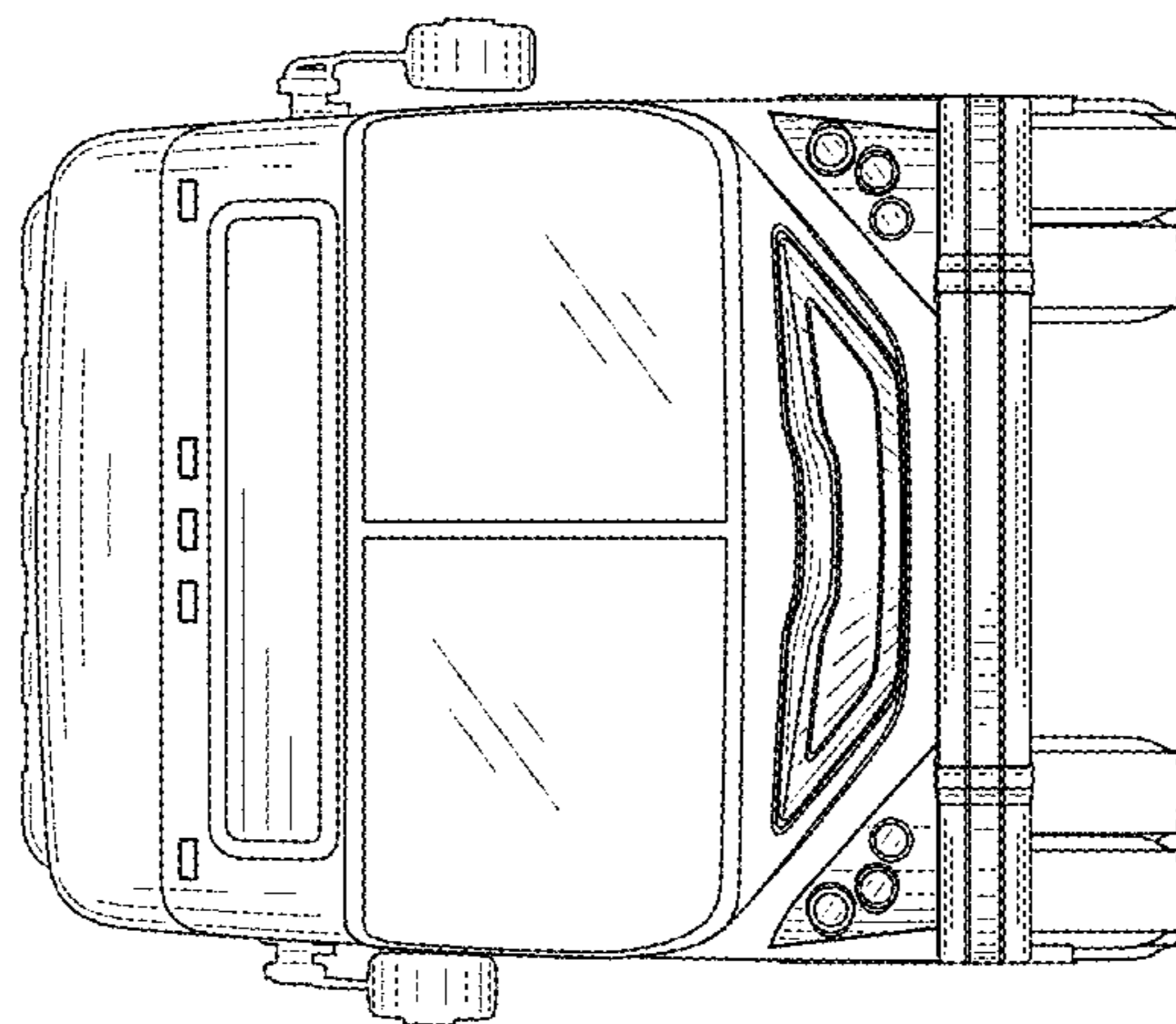


FIG. 2

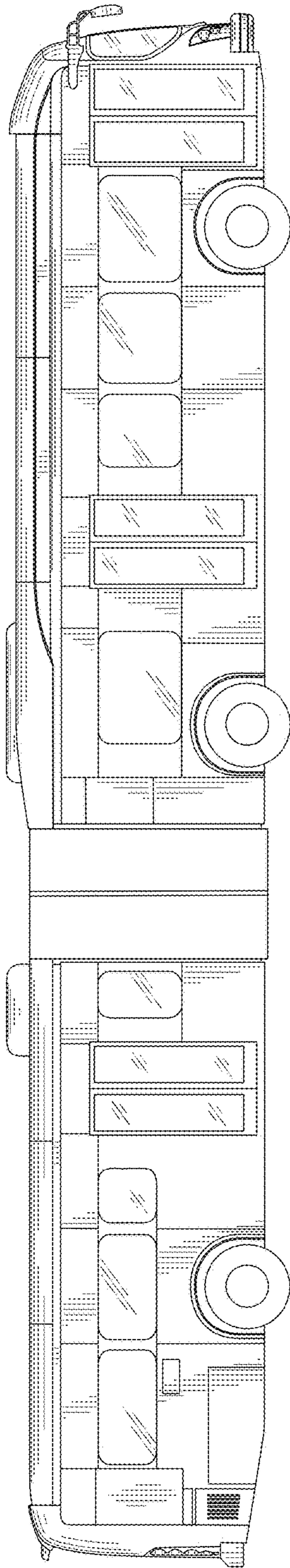


FIG. 3

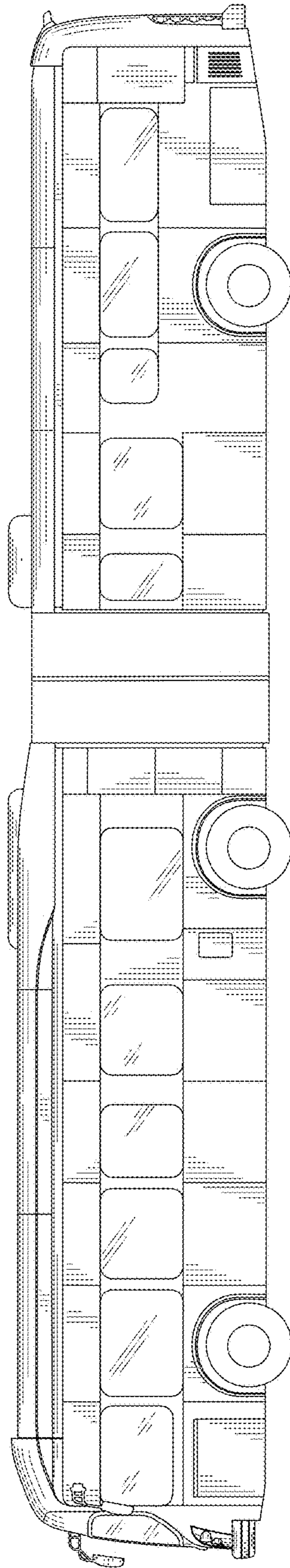


FIG. 4

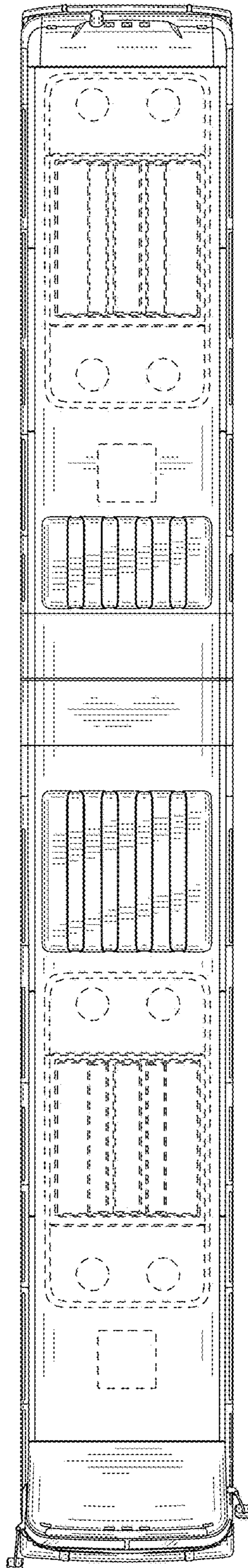


FIG. 5

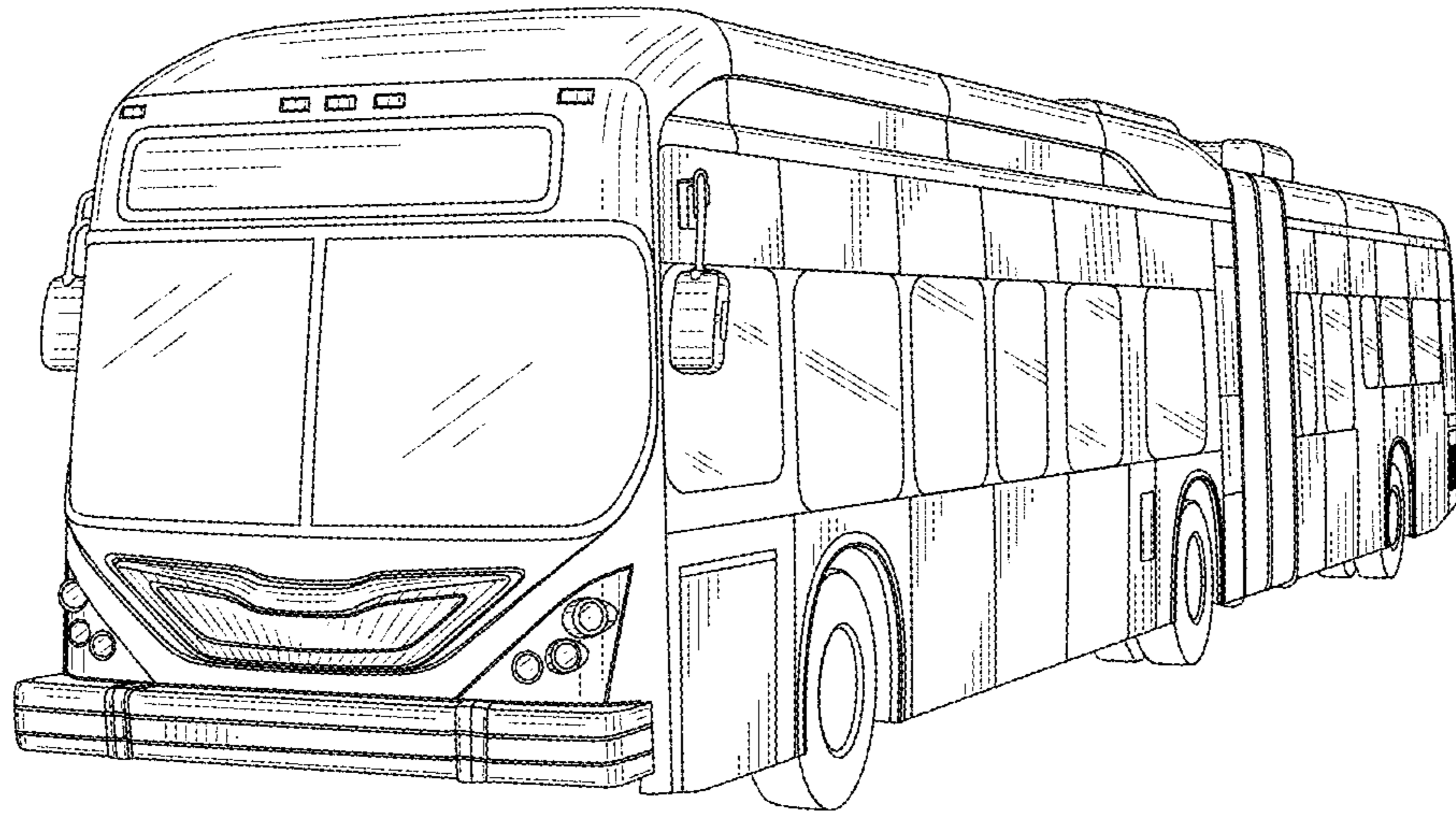


FIG. 6

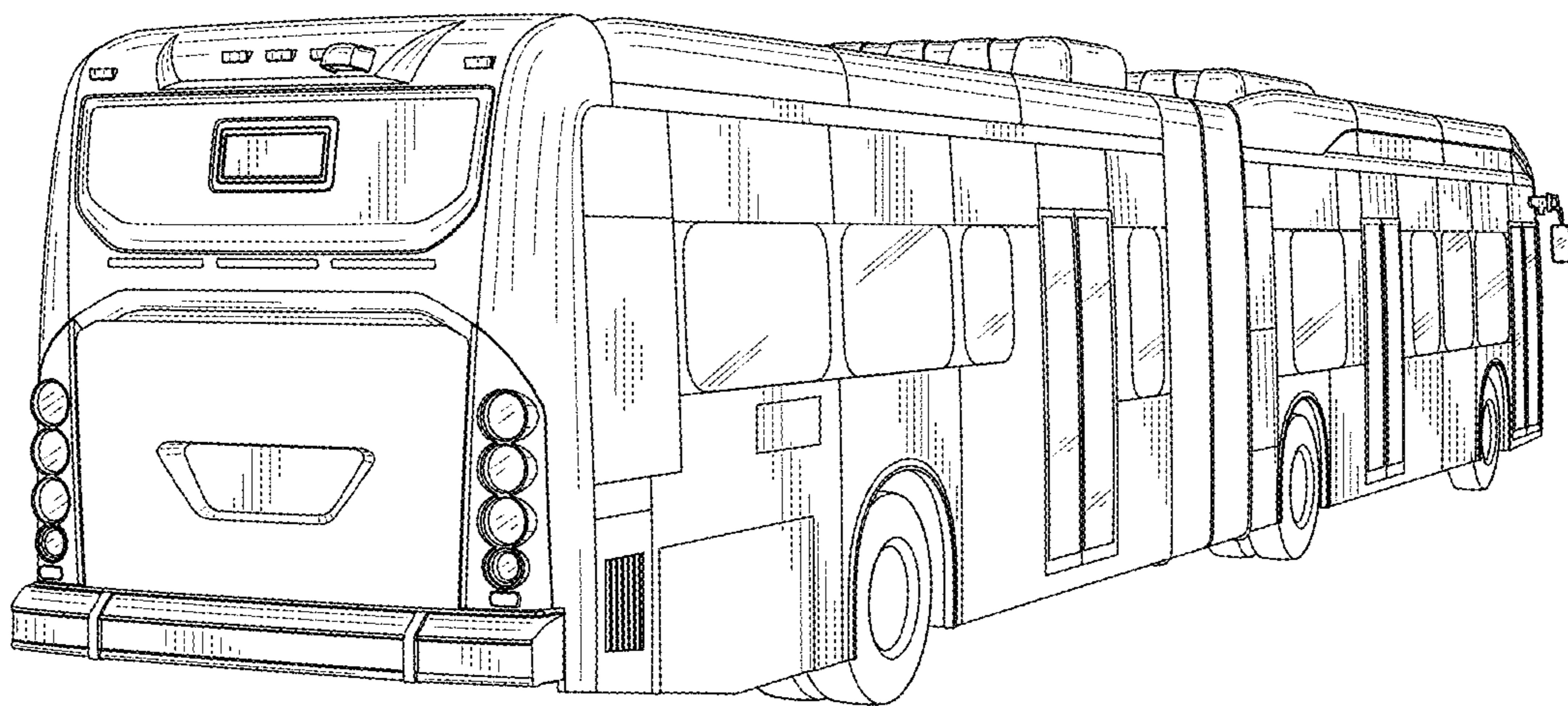


FIG. 7