

US00D774941S

(12) **United States Design Patent** (10) **Patent No.:** **US D774,941 S**
Lupashin et al. (45) **Date of Patent:** **** Dec. 27, 2016**

(54) **FOLDING DRONE**

(71) Applicant: **PERSPECTIVE ROBOTICS AG,**
Zürich (CH)

(72) Inventors: **Sergei Lupashin, Zürich (CH); David Sekanina, Zürich (CH); Rohrer Milan, Kerns (CH)**

(**) Term: **15 Years**

(21) Appl. No.: **35/500,578**

(22) Filed: **Aug. 10, 2015**

(80) **Hague Agreement Data**

Int. Filing Date: **Aug. 10, 2015**

Int. Reg. No.: **DM/087476**

Int. Reg. Date: **Aug. 10, 2015**

Int. Reg. Pub. Date: **Feb. 12, 2016**

(51) **LOC (10) Cl.** **12-07**

(52) **U.S. Cl.**
USPC **D12/16.1**

(58) **Field of Classification Search**

USPC D12/16.1, 19, 322, 323, 326, 327, 328,
D12/329, 330, 339, 341, 342, 343, 344;
D21/436, 438, 439, 440, 441, 446, 447,
D21/448, 449, 450, 453

CPC B64C 5/06; B64C 29/00; B64C 30/00;
B64C 39/00; B64C 39/024

See application file for complete search history.

(56) **References Cited**

U.S. PATENT DOCUMENTS

D189,462 S * 12/1960 Vogt D12/329
3,053,480 A * 9/1962 Vanderlip B64C 27/54
244/17.13
4,913,377 A * 4/1990 Eickmann B64C 29/00
244/17.11
5,082,079 A * 1/1992 Lissaman B64C 27/20
180/118
D648,809 S * 11/2011 Seydoux D21/441

D659,771 S * 5/2012 Seydoux D21/441
D691,514 S * 10/2013 Wang D12/16.1
D708,272 S * 7/2014 Schmelter D12/16.1
D710,454 S * 8/2014 Barajas D12/16.1
D741,751 S * 10/2015 Klaptocz D12/16.1
D745,435 S * 12/2015 Park D12/16.1
2012/0241555 A1* 9/2012 Savoye A63H 27/12
244/54

(Continued)

OTHER PUBLICATIONS

Liszewski, Andrew. "A Cheap Folding Drone That's Strong Enough to Carry a GoPro." Gizmodo., Jan. 15, 2014 [online], [retrieved on Sep. 18, 2016]. Retrieved from the Internet <URL: <http://gizmodo.com/a-cheap-folding-drone-thats-strong-enough-to-carry-a-go-1501819576>>.*

(Continued)

Primary Examiner — Darlington Ly

(57) **CLAIM**

The ornamental design for a folding drone, as shown and described.

DESCRIPTION

1.1 is a top and side perspective view of the folding drone showing our new design, wherein the wings are shown in a folded position;

1.2 is a top plan view of the folding drone, wherein the wings are shown in a folded position;

1.3 is a top and side perspective view of the folding drone, wherein the wings are shown in an unfolded position;

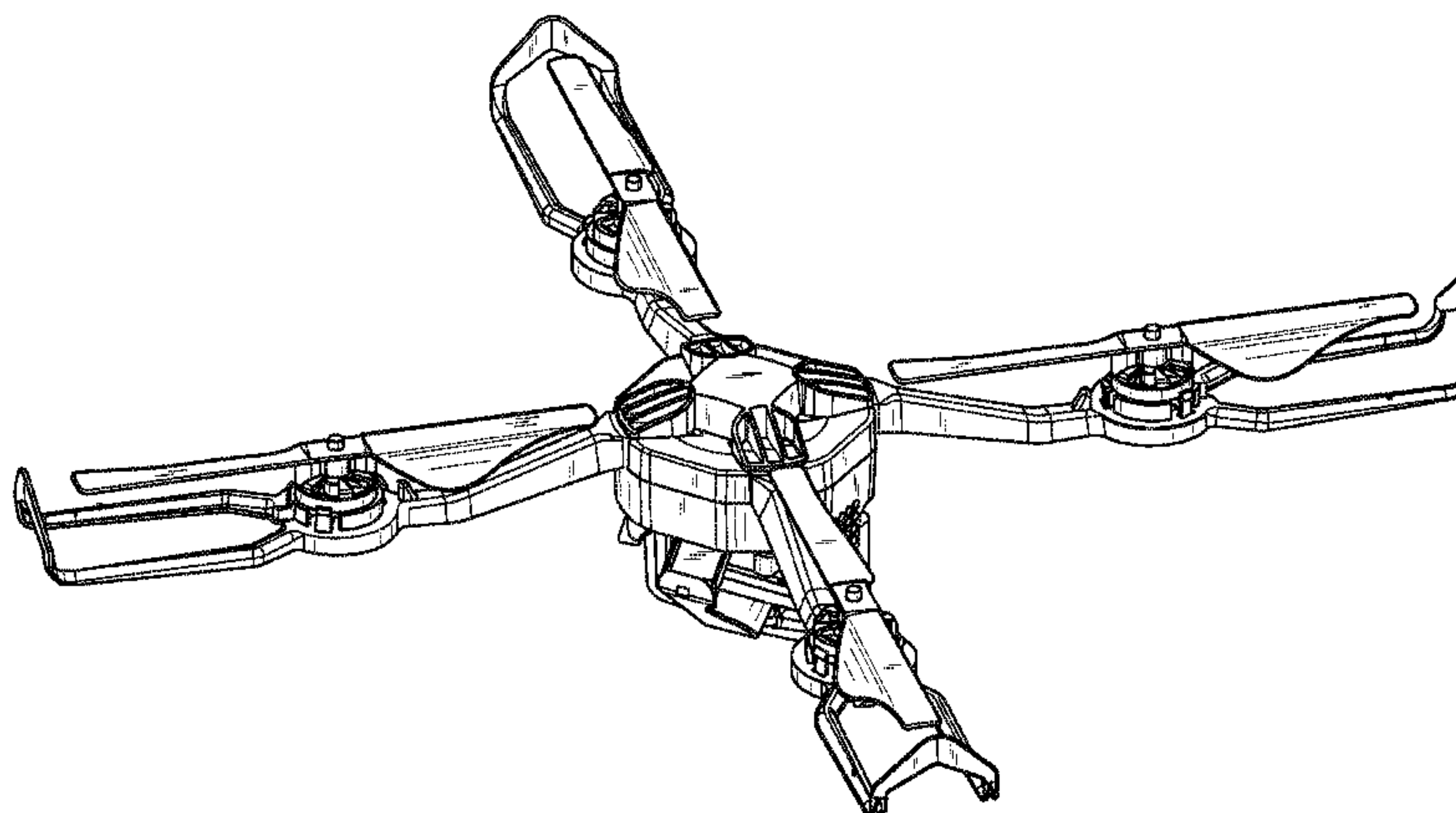
1.4 is a bottom and side perspective view of the folding drone, wherein the wings are shown in an unfolded position;

1.5 is a top plan view of the folding drone, wherein the wings are shown in an unfolded position;

1.6 is a front elevation view of the folding drone, wherein the wings are shown in an unfolded position; and,

1.7 is a side elevation view of the folding drone, wherein the wings are shown in an unfolded position.

1 Claim, 7 Drawing Sheets



(56)

References Cited

U.S. PATENT DOCUMENTS

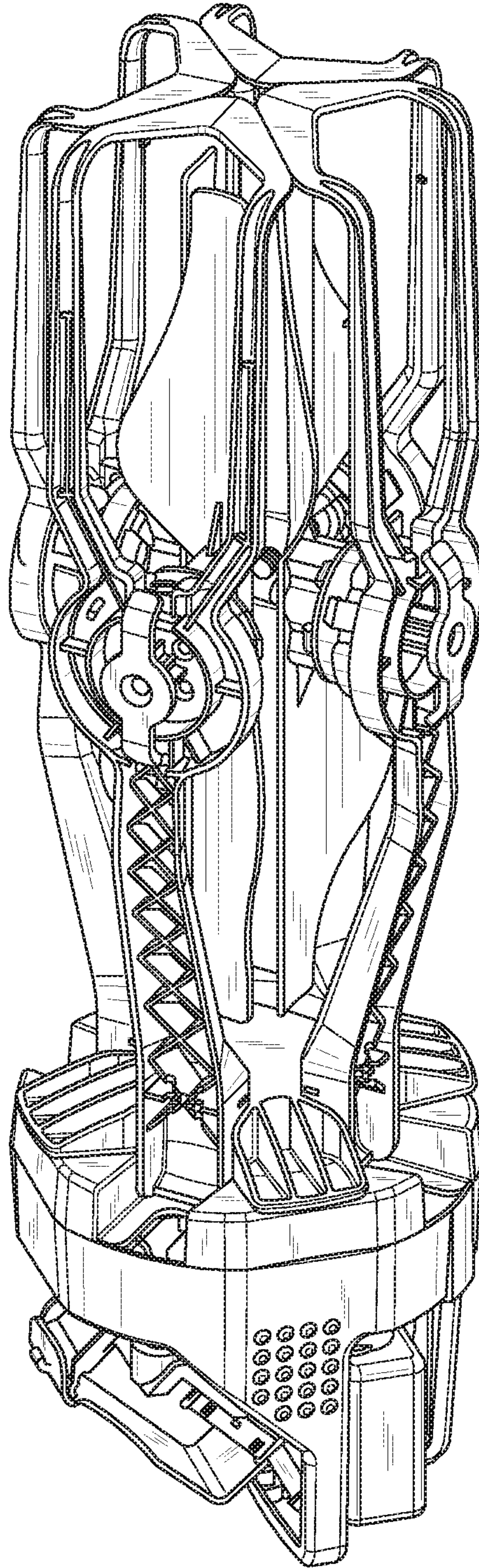
2014/0374532 A1* 12/2014 Duffy B64C 37/02
244/2
2015/0129711 A1* 5/2015 Caubel B64C 27/08
244/17.23
2015/0148988 A1* 5/2015 Fleck G05D 1/0011
701/2
2015/0321759 A1* 11/2015 Caubel B64C 39/024
244/17.23
2016/0062364 A1* 3/2016 Foinet A63H 27/14
701/2
2016/0068266 A1* 3/2016 Carroll B64C 39/024
244/53 R

OTHER PUBLICATIONS

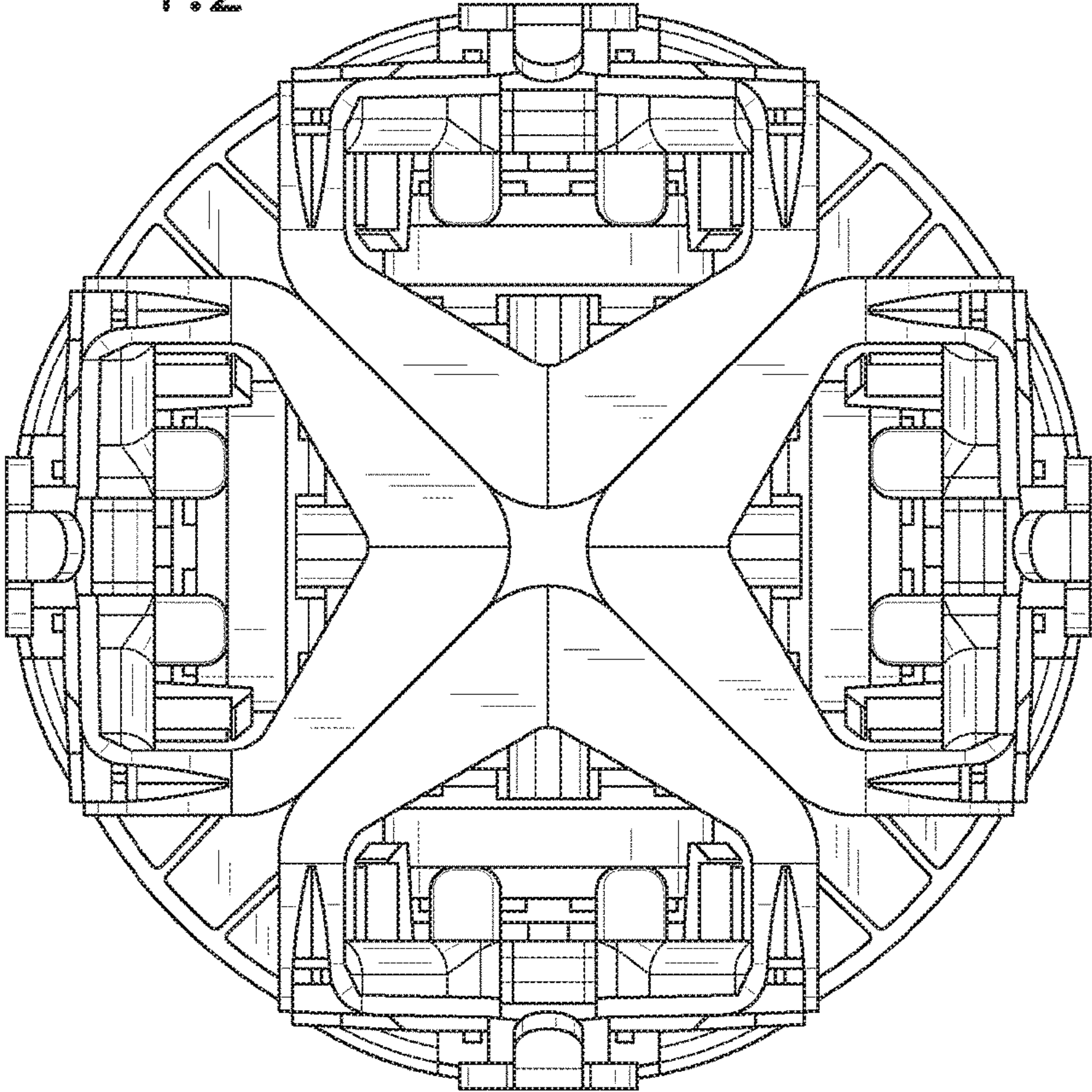
Lewis, Tanya. "Pocket-Size Drone Can Fold Up Like Origami." Live Science., May 18, 2015 [online], [retrieved on Sep. 18, 2016]. Retrieved from the Internet <URL: <http://www.livescience.com/50866-tiny-foldable-drone.html>>.*
"The New ProDrone—There is a new folding drone in town." FPVguy., May 30, 2015 [online], [retrieved on Sep. 18, 2016]. Retrieved from the Internet <URL: <http://www.fpvguy.com/2015/11/pro-drone-1.html>>.*
Constine, Josh. "Fotokite Phi Is A \$349 Drone on a Leash That Needs No Pilot, Just A GoPro." Tech Crunch., Aug. 18, 2015 [online], [retrieved on Sep. 18, 2016]. Retrieved from the Internet <URL: <https://techcrunch.com/2015/08/18/fotokite/>>.*

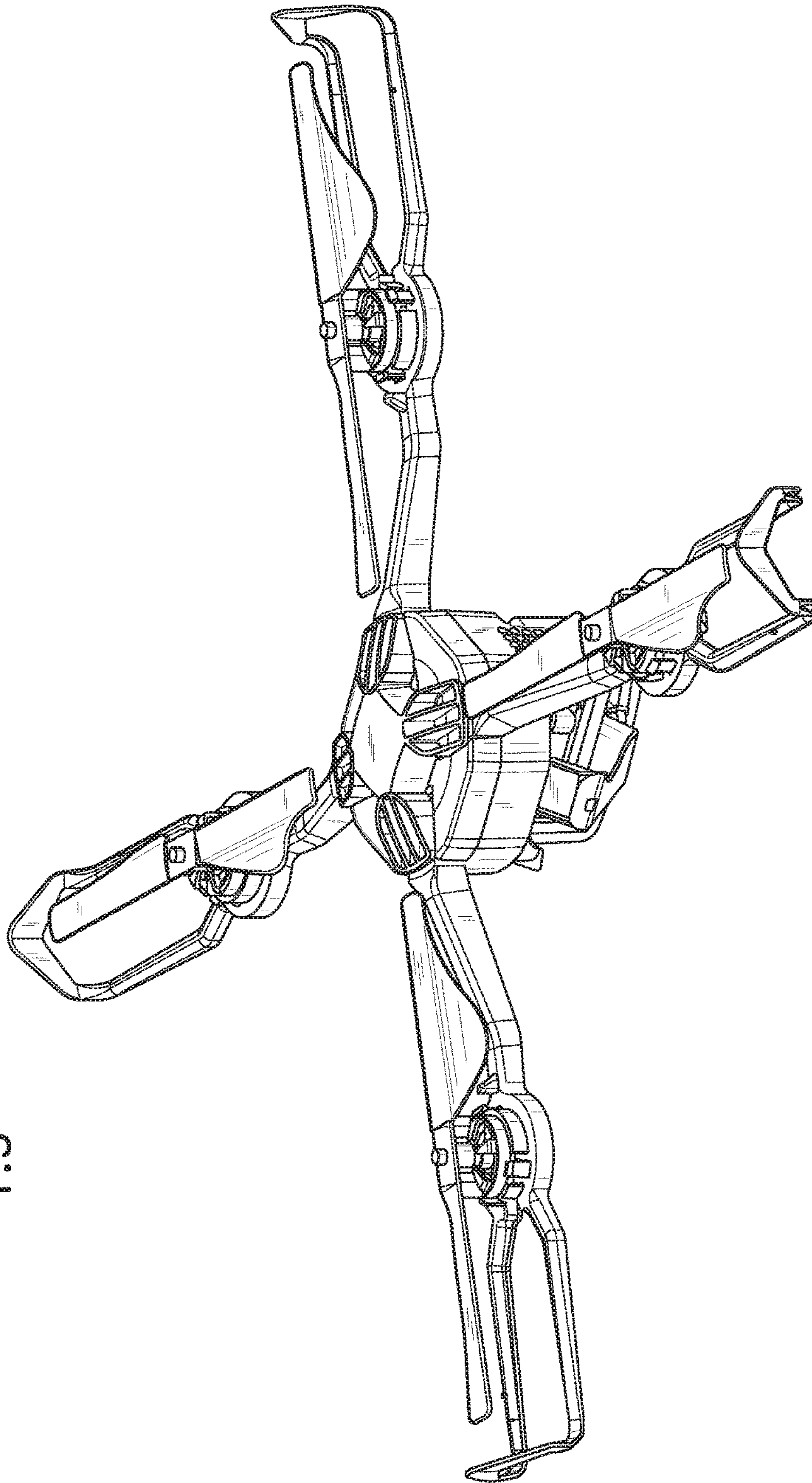
* cited by examiner

1.1



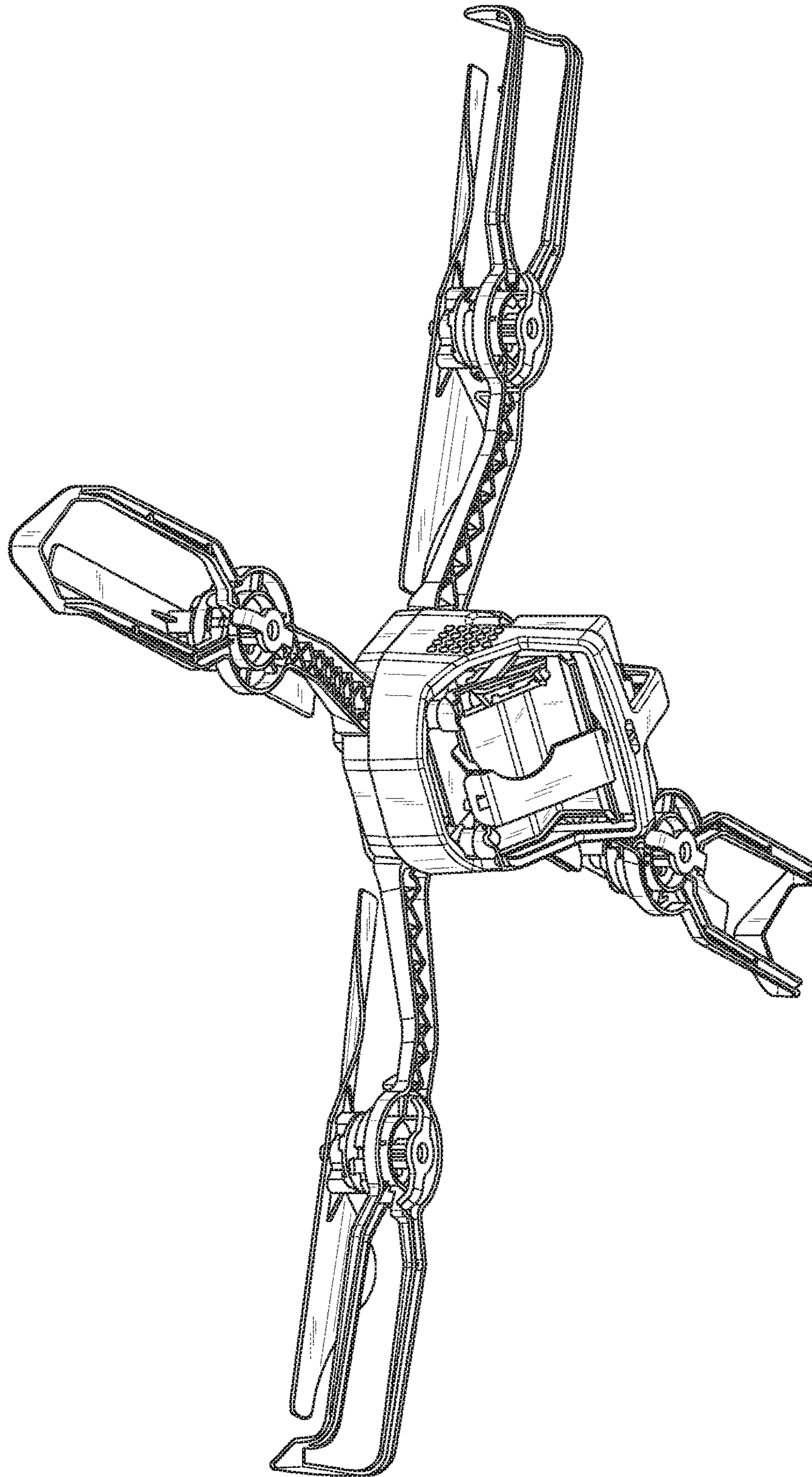
1.2



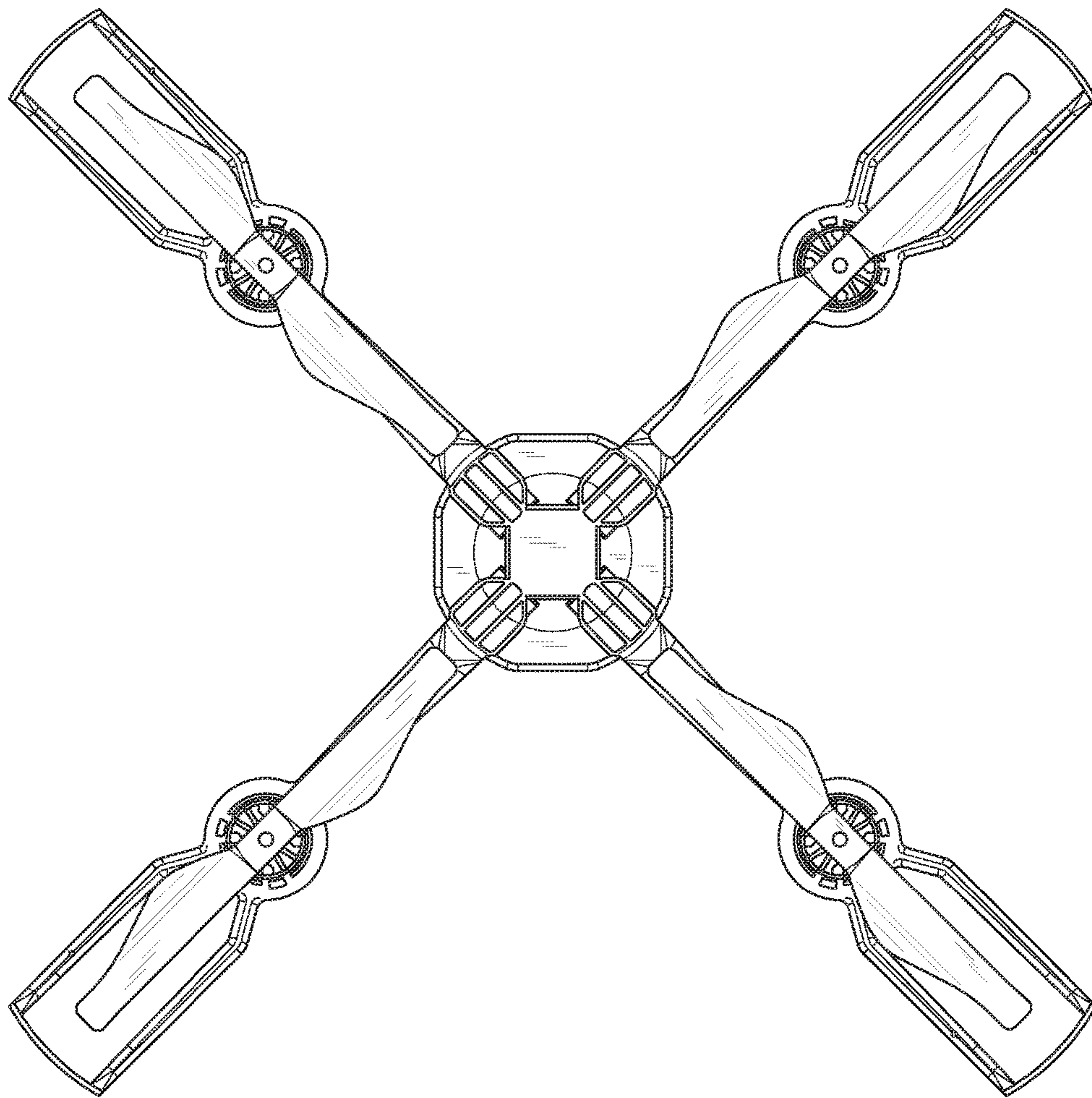


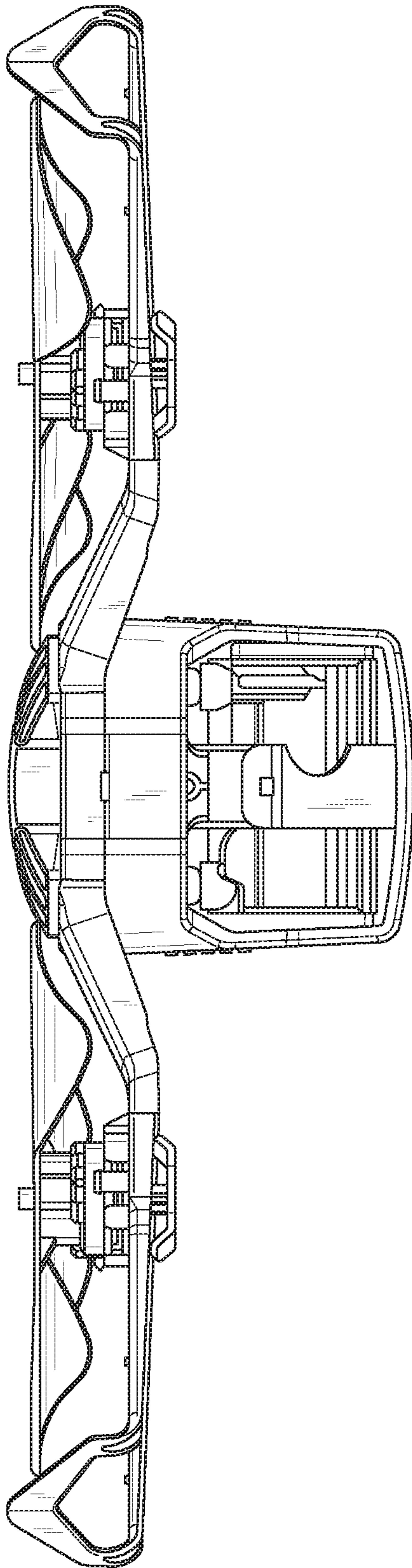
1.3

1.4



1.5





1.6

1.7

