



US00D774936S

(12) **United States Design Patent**  
**O'Neil**

(10) **Patent No.:** **US D774,936 S**

(45) **Date of Patent:** **\*\* Dec. 27, 2016**

(54) **OCCUPANCY SENSOR**

(71) Applicant: **EuControls Corporation**, Gardena, CA (US)

(72) Inventor: **Tom O'Neil**, Torrance, CA (US)

(73) Assignee: **EUCONTROLS CORPORATION**, Gardena, CA (US)

(\*\*) Term: **15 Years**

(21) Appl. No.: **29/548,826**

(22) Filed: **Dec. 16, 2015**

(51) **LOC (10) Cl.** ..... **10-05**

(52) **U.S. Cl.**  
USPC ..... **D10/104.1**

(58) **Field of Classification Search**  
USPC ..... D10/75, 104.1, 106.1-106.9, 116.1, 118, D10/118.1, 118.2, 119.1, 121, 125, 126, D10/132; D8/401; D13/158, 184; D14/159

CPC ..... G08B 17/06; G08B 17/10; G08B 17/103; G08B 17/107; G08B 21/12; G08B 21/22; G08B 15/00; H04M 11/02; H04M 11/025; H04N 7/186

See application file for complete search history.

(56) **References Cited**

**U.S. PATENT DOCUMENTS**

D254,728 S \* 4/1980 Mitumori ..... D10/116.1  
D294,231 S \* 2/1988 Cameron, Jr. .... D10/106.6

D294,808 S \* 3/1988 Zeigner ..... D10/116.1  
D297,316 S \* 8/1988 Mastro ..... D10/106.2  
D304,309 S \* 10/1989 Vories ..... D10/106.1  
D308,646 S \* 6/1990 Grilk ..... D10/106.1  
D320,758 S \* 10/1991 Lutz ..... D10/104.1  
D325,356 S \* 4/1992 Kin Man Tse ..... D10/106.1  
5,221,919 A \* 6/1993 Hermans ..... G08B 13/193  
250/342  
D749,050 S \* 2/2016 Zheng ..... D13/158  
2014/0043733 A1 \* 2/2014 Huang ..... H05B 37/0227  
361/679.01

\* cited by examiner

*Primary Examiner* — George D Kirschbaum

*Assistant Examiner* — Joseph Kukella

(74) *Attorney, Agent, or Firm* — Clement Cheng

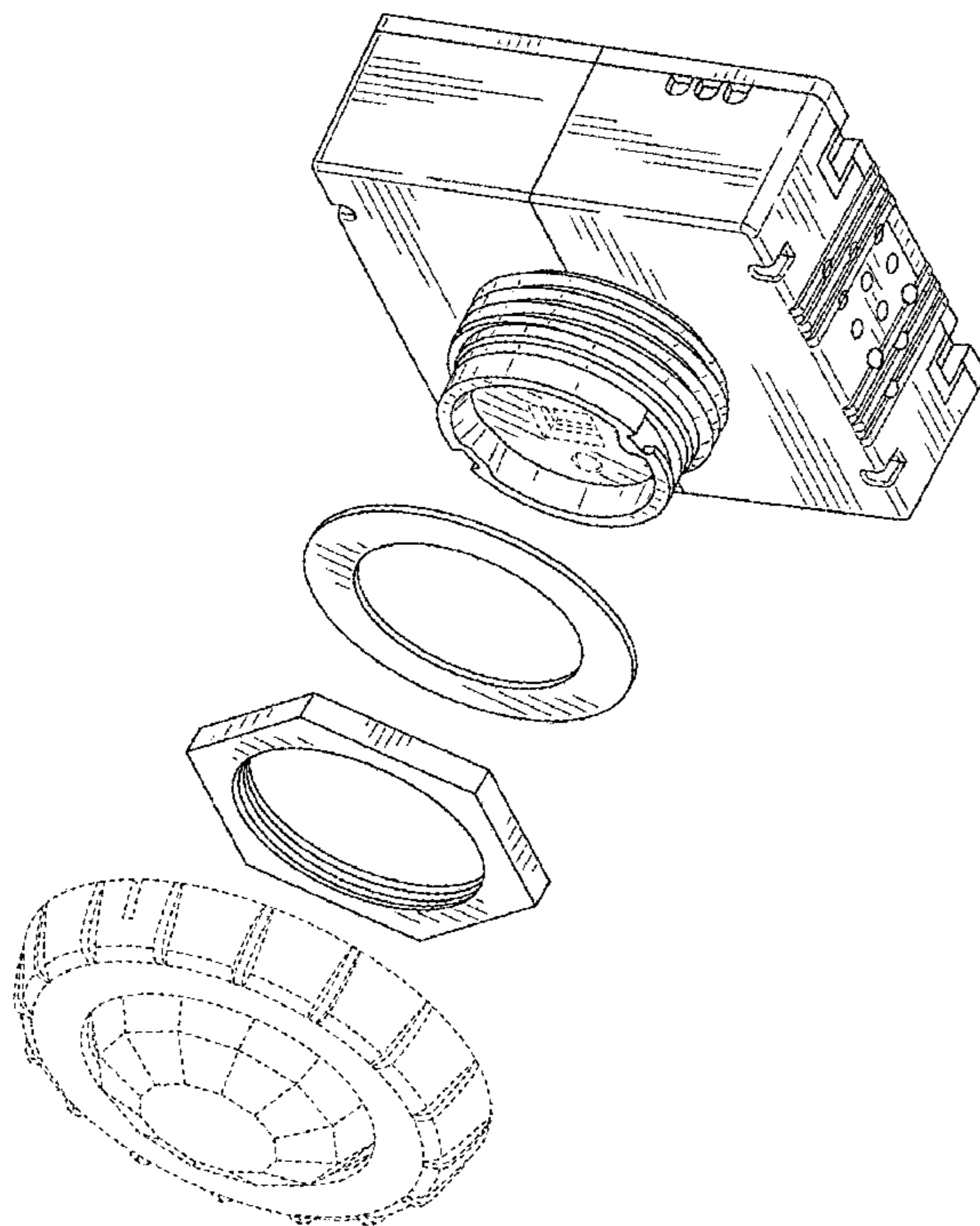
(57) **CLAIM**

The ornamental design for an occupancy sensor thereof, as shown and described.

**DESCRIPTION**

FIG. 1 is an exploded perspective view of my ornamental design for an occupancy sensor;  
FIG. 2 is a perspective view, thereof;  
FIG. 3 is a rear view, thereof;  
FIG. 4 is a front side view, thereof;  
FIG. 5 is a right side view, thereof;  
FIG. 6 is a left side view, thereof;  
FIG. 7 is a top view, thereof; and,  
FIG. 8 is a bottom view, thereof.

**1 Claim, 8 Drawing Sheets**



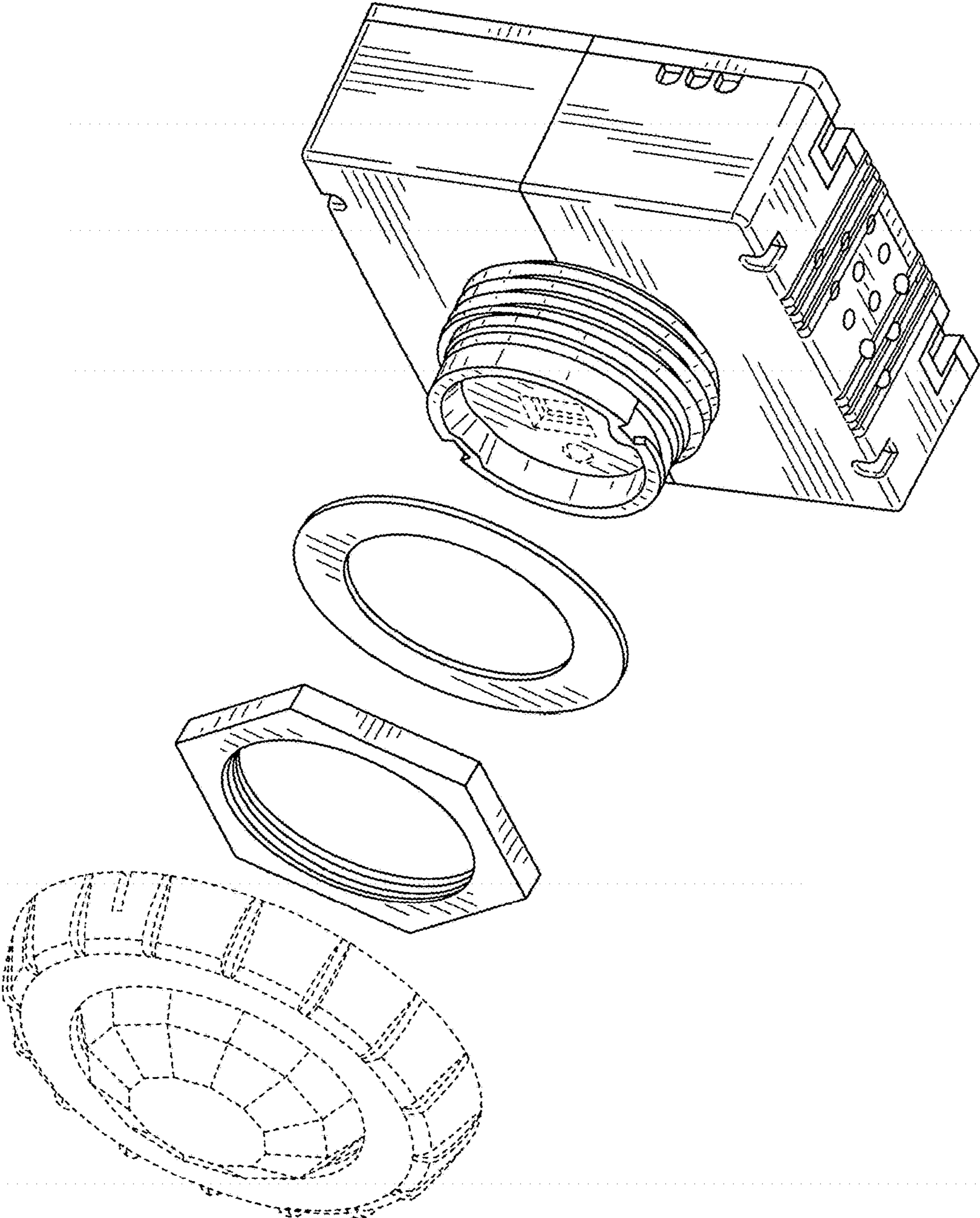


FIG. 1

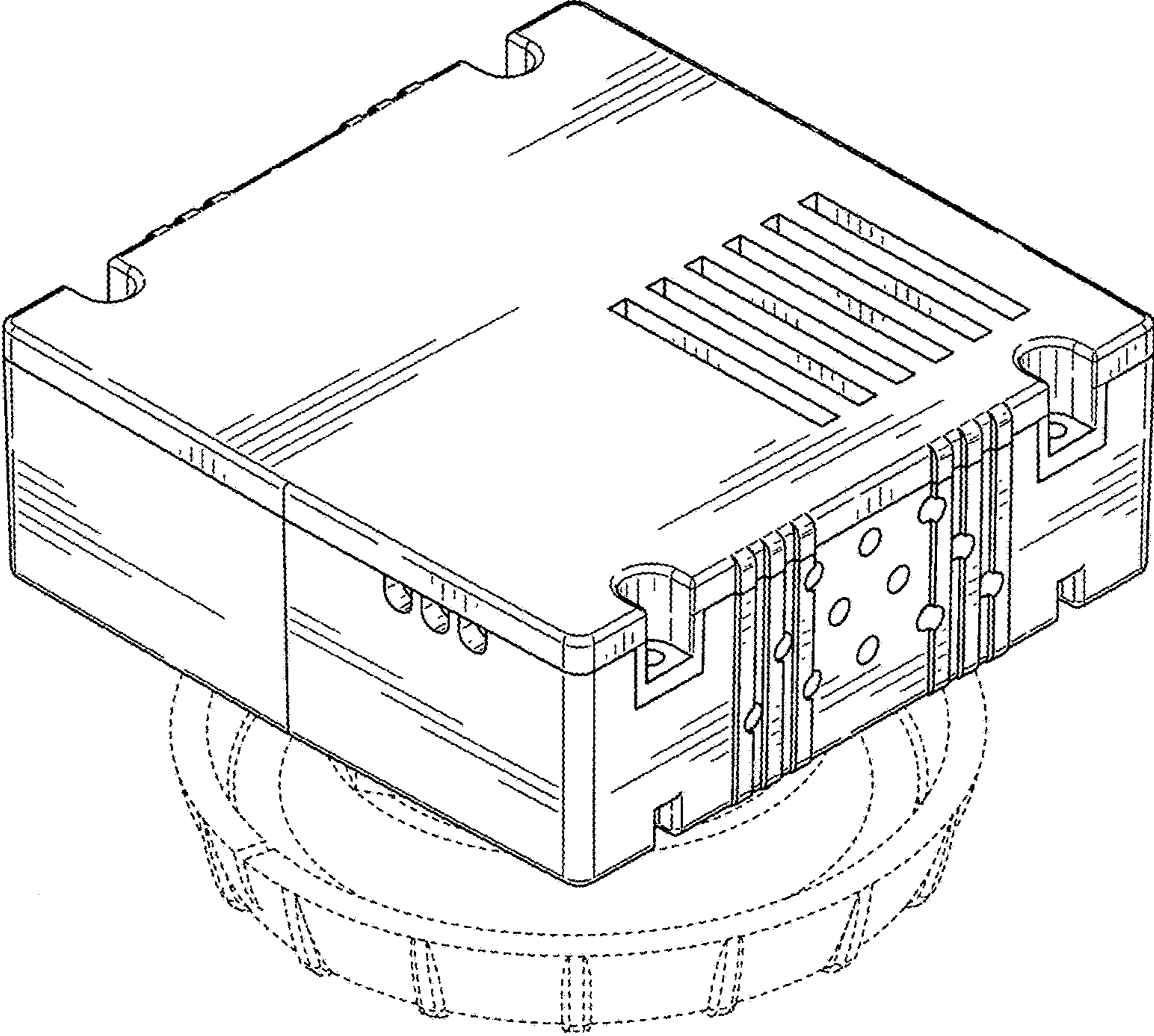


FIG. 2

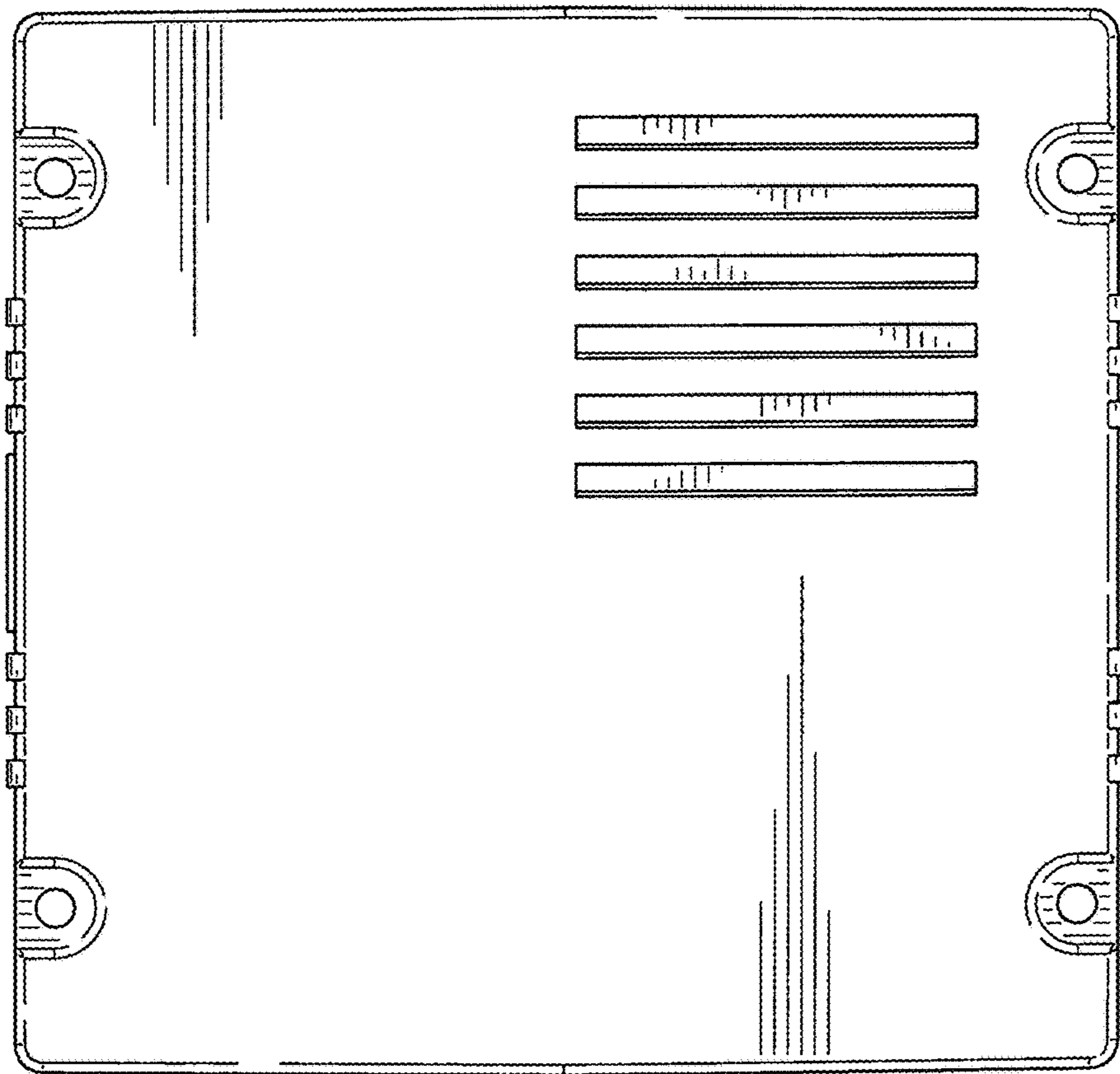


FIG. 3

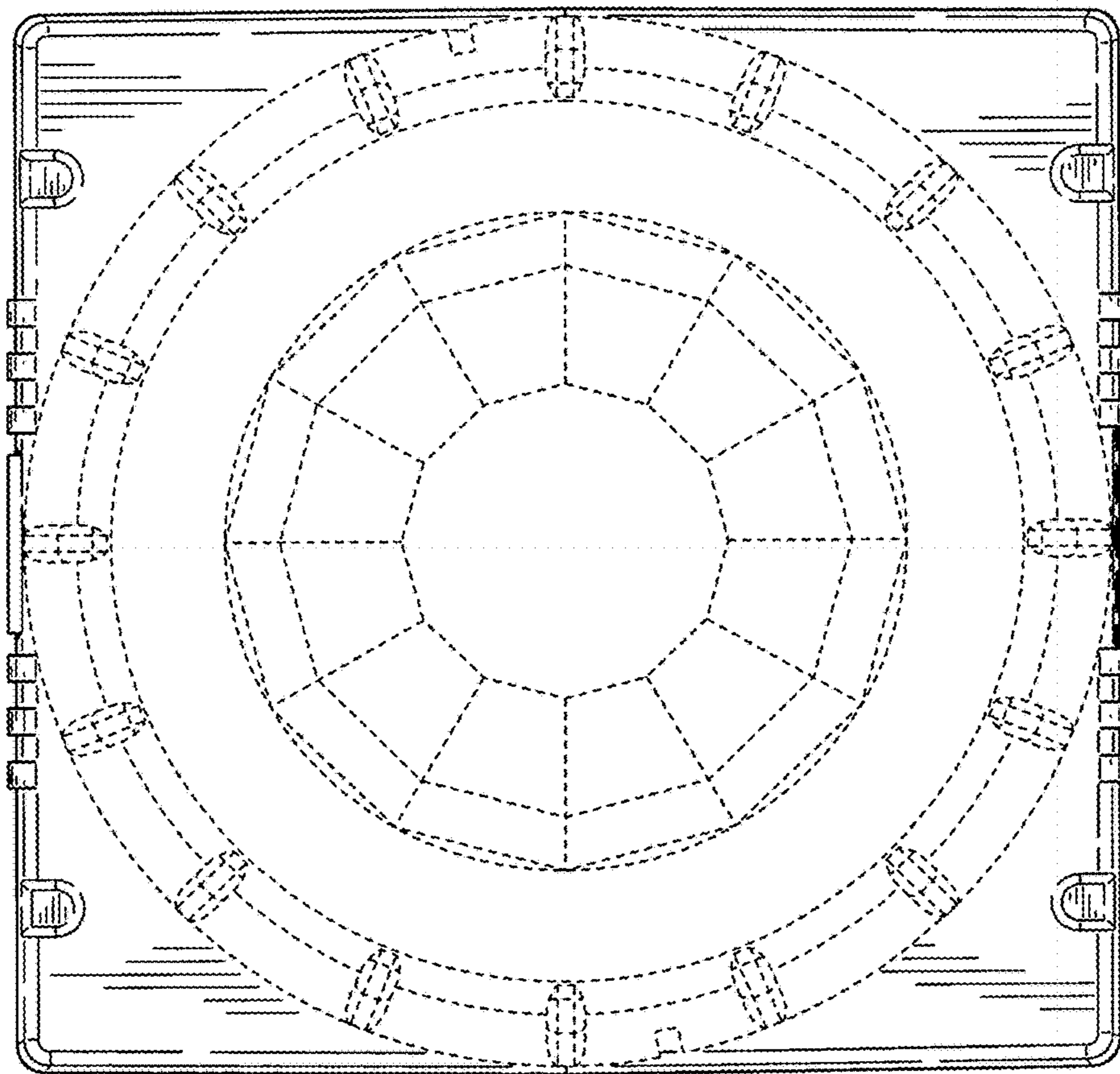


FIG. 4

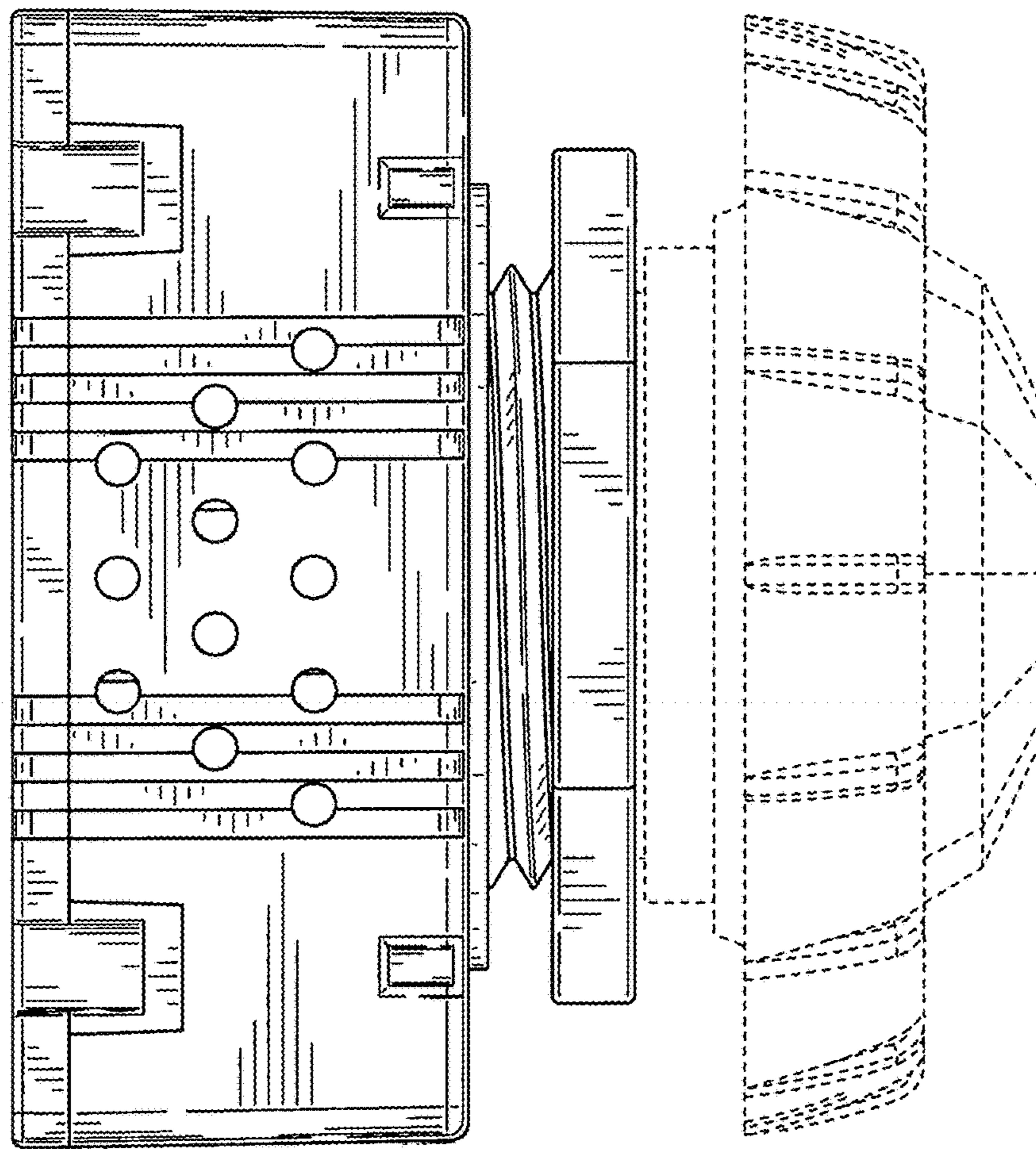


FIG. 5

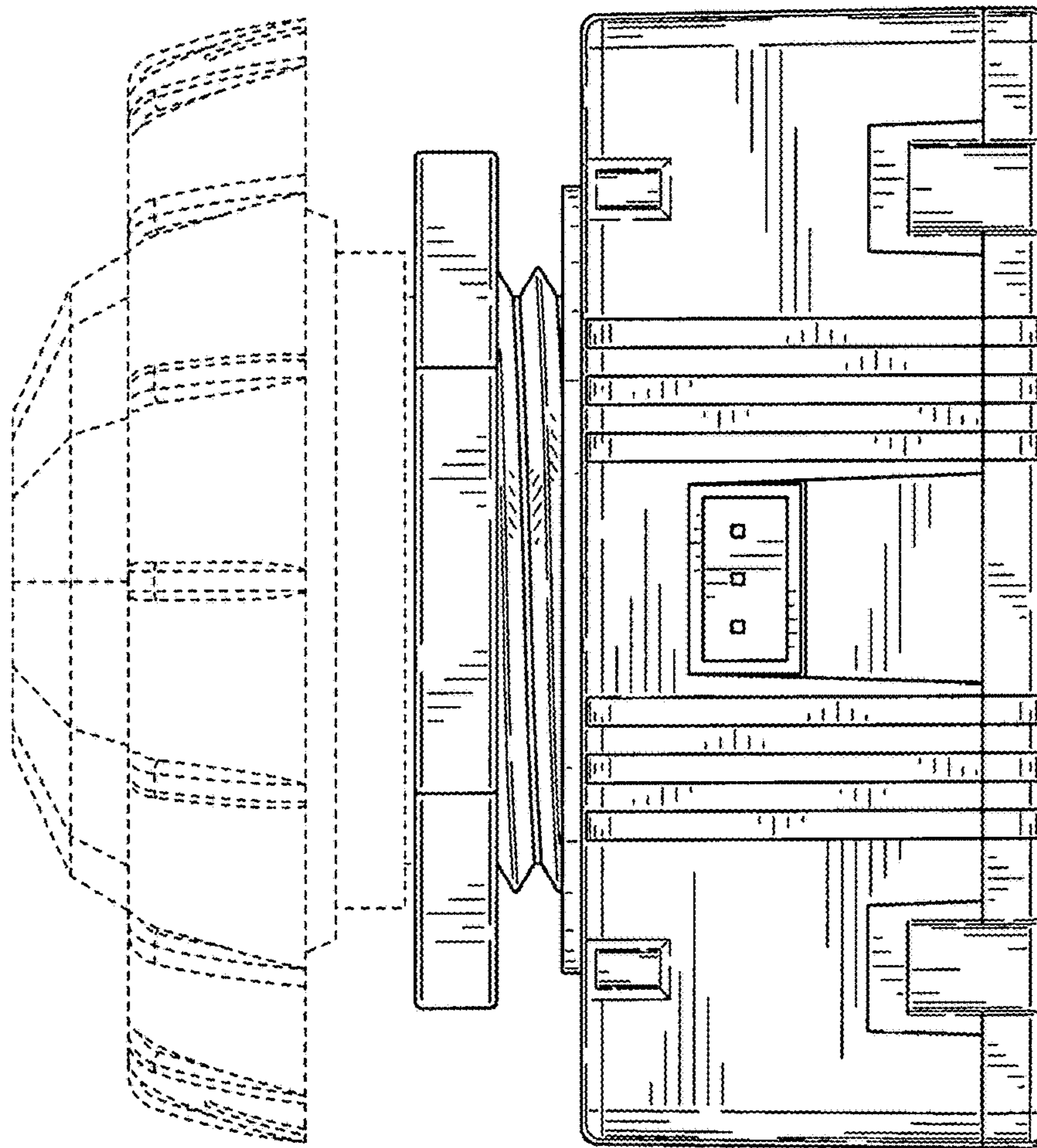


FIG. 6

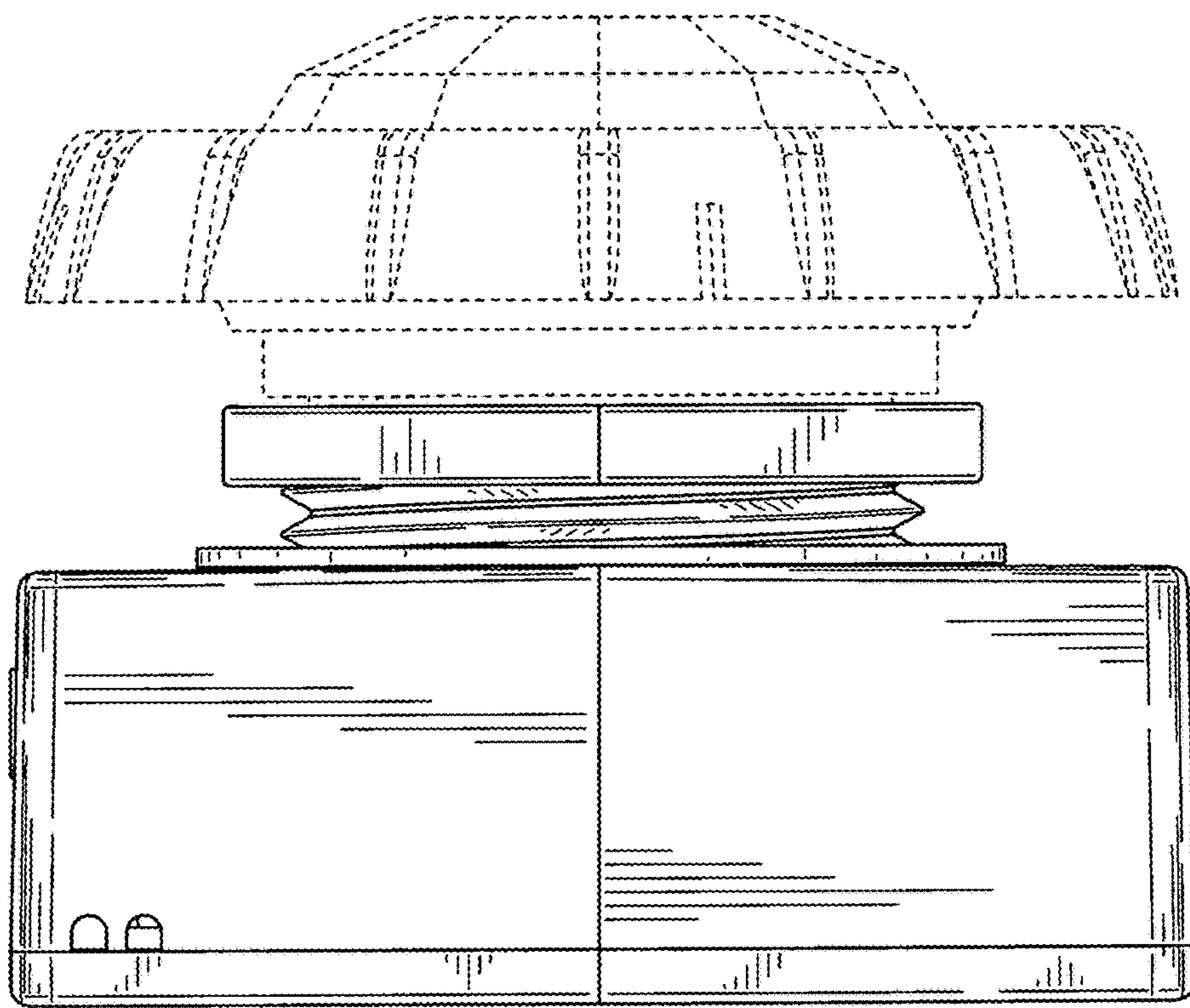


FIG. 7



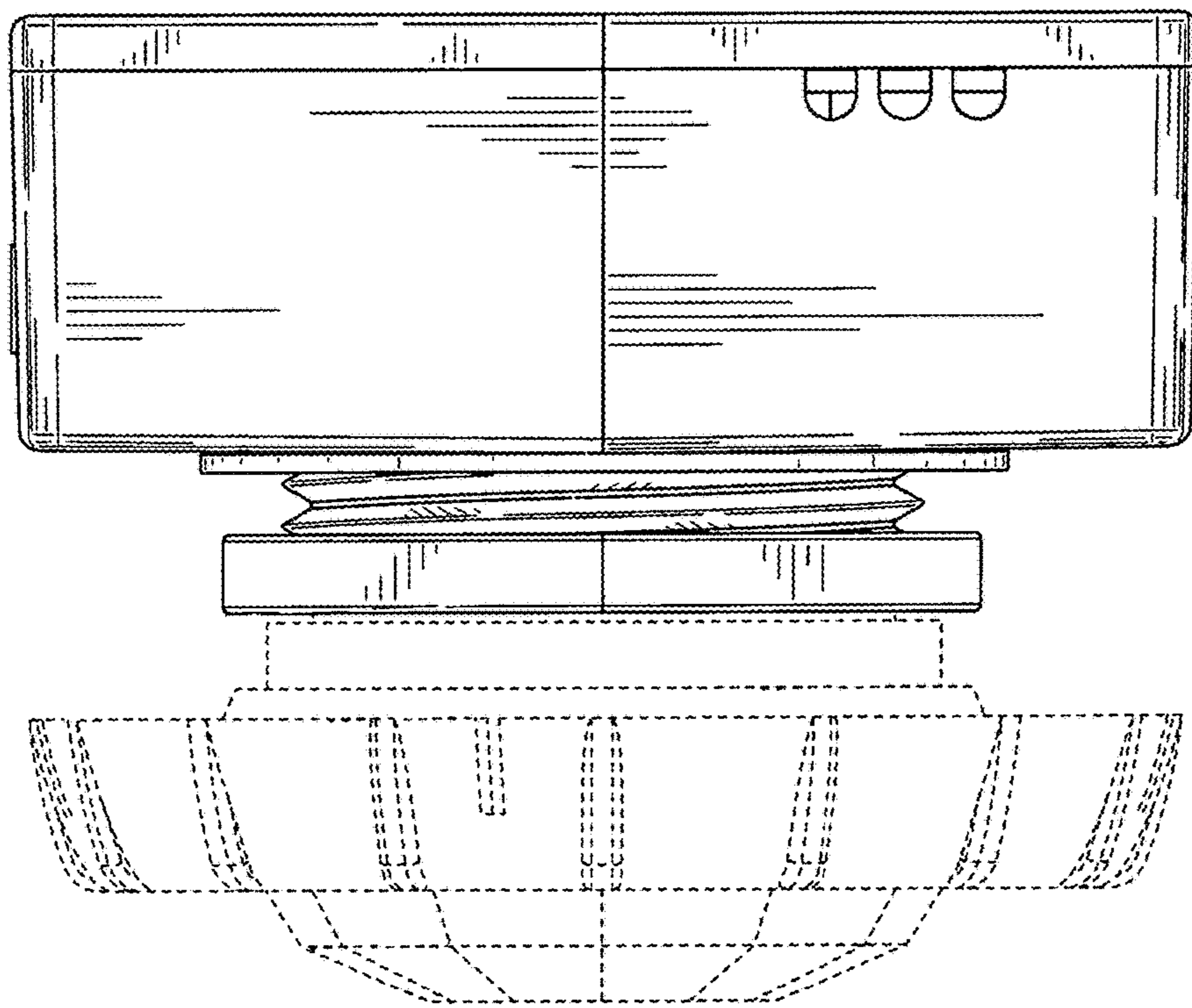


FIG. 8