



US00D774935S

(12) **United States Design Patent** (10) **Patent No.:** **US D774,935 S**
Liu (45) **Date of Patent:** **** Dec. 27, 2016**

(54) **TRANSMITTER FOR DOG TRAINER**

(71) Applicant: **Shenzhen Aetertek Technology Co., Ltd., Shenzhen (CN)**

(72) Inventor: **Yunbing Liu, Shenzhen (CN)**

(**) Term: **15 Years**

(21) Appl. No.: **29/547,051**

(22) Filed: **Dec. 1, 2015**

(51) **LOC (10) Cl.** **10-05**

(52) **U.S. Cl.**
USPC **D10/104.1**

(58) **Field of Classification Search**
USPC D14/137, 144, 147-148, 155, 159, 188,
D14/191-192, 225, 218, 247-248,
D14/383-385, 417, 496; D10/104.1,
D10/104.2; D13/168
CPC A01K 15/21; A45F 2200/0508; A45F
2200/0516; A45F 2200/0525; H04B
1/3827

See application file for complete search history.

(56) **References Cited**

U.S. PATENT DOCUMENTS

- 6,131,535 A * 10/2000 So A01K 15/021
119/719
- 6,167,843 B1 * 1/2001 Kim A01K 15/021
119/720
- D445,706 S * 7/2001 Myers D10/104.1
- D446,144 S * 8/2001 Christensen D10/104.1
- 6,474,269 B2 * 11/2002 So A01K 15/021
119/719
- D482,630 S * 11/2003 So D30/199
- D571,757 S * 6/2008 Kesler D14/137
- D576,128 S * 9/2008 Tran D14/137
- D616,844 S * 6/2010 Xia D14/137
- D644,133 S * 8/2011 Register D10/65
- D663,277 S * 7/2012 Yong D14/137

- D685,756 S * 7/2013 Liu D14/155
- D685,757 S * 7/2013 Liu D14/155
- D691,118 S * 10/2013 Ingham D14/218
- D700,148 S * 2/2014 Paul D13/168
- D711,848 S * 8/2014 Liu D14/155
- D719,708 S * 12/2014 Ye D10/104.1
- D721,861 S * 1/2015 Guo D10/104.1
- D737,004 S * 8/2015 Russell D30/199
- D737,250 S * 8/2015 Ingham D14/218

OTHER PUBLICATIONS

Findway 998DR Rechargeable LCD Shock Vibra Remote Control Dog Training Collar. Sales Page [online]. Amazon.com, Inc., first available Jul. 8, 2013 [retrieved on Aug. 26, 2016]. Retrieved from the internet: <URL: <https://www.amazon.ca/Findway-Rechargeable-Remote-Control-Training/dp/B006NSPMDI>>.*

* cited by examiner

Primary Examiner — George D Kirschbaum

Assistant Examiner — Joseph Kukella

(74) *Attorney, Agent, or Firm* — Prakash Nama; Global IP Services, PLLC

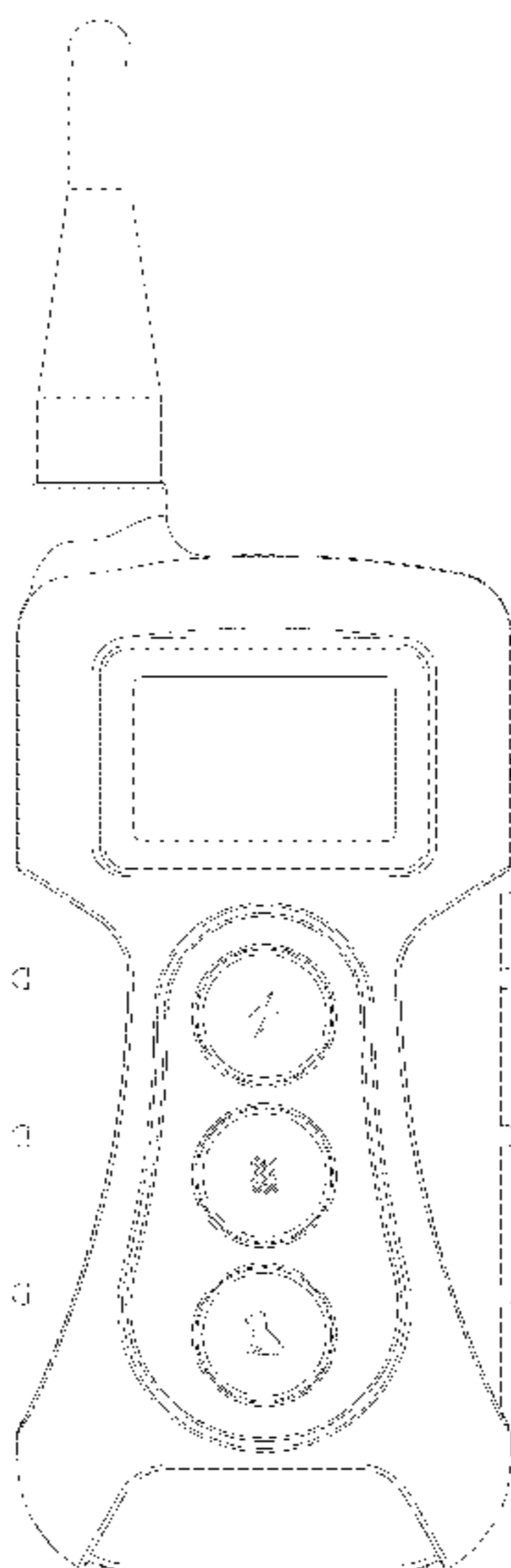
(57) **CLAIM**

The ornamental design for a transmitter for dog trainer, as shown.

DESCRIPTION

FIG. 1 is a front elevational view of a transmitter for dog trainer showing my new design;
FIG. 2 is a rear elevational view thereof;
FIG. 3 is a left side elevational view thereof;
FIG. 4 is a right side elevational view thereof;
FIG. 5 is a top plan view thereof;
FIG. 6 is a bottom plan view thereof;
FIG. 7 is a front perspective view thereof; and,
FIG. 8 is a rear perspective view thereof.

1 Claim, 7 Drawing Sheets



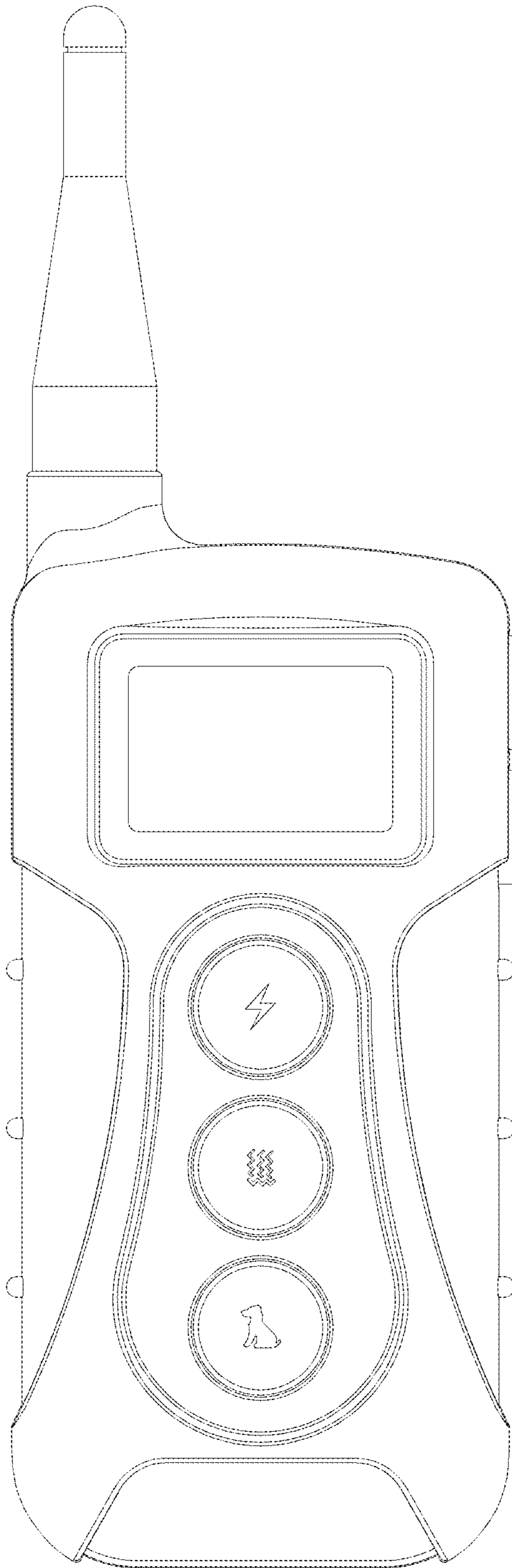


FIG. 1

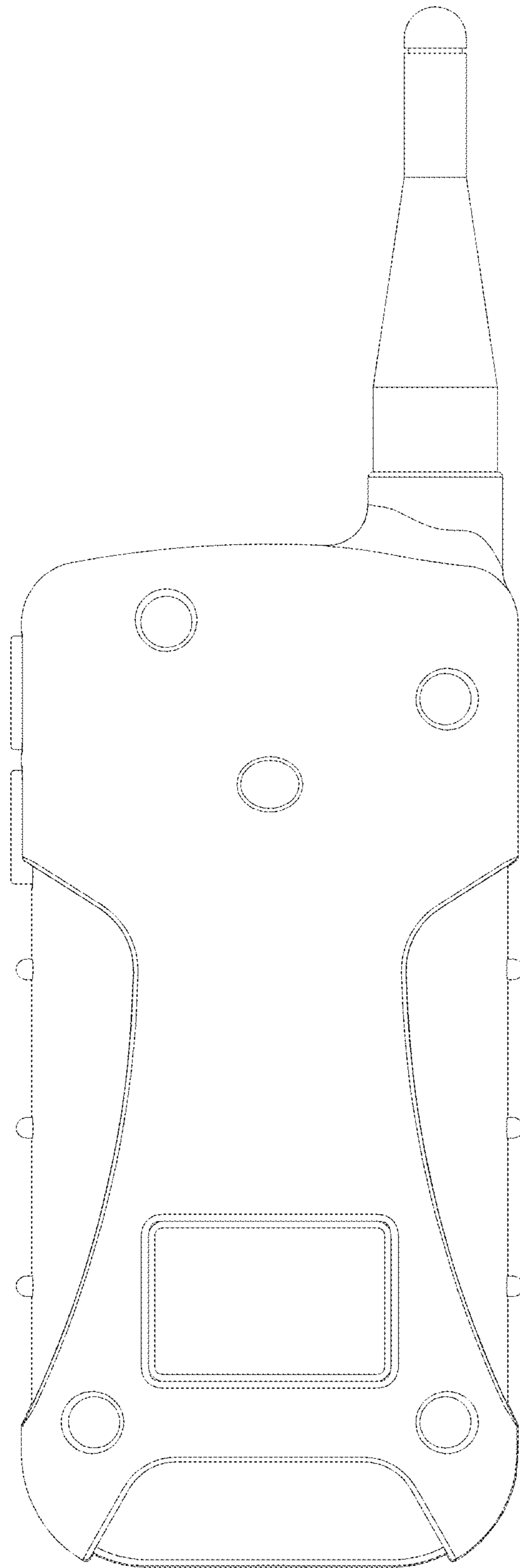


FIG. 2

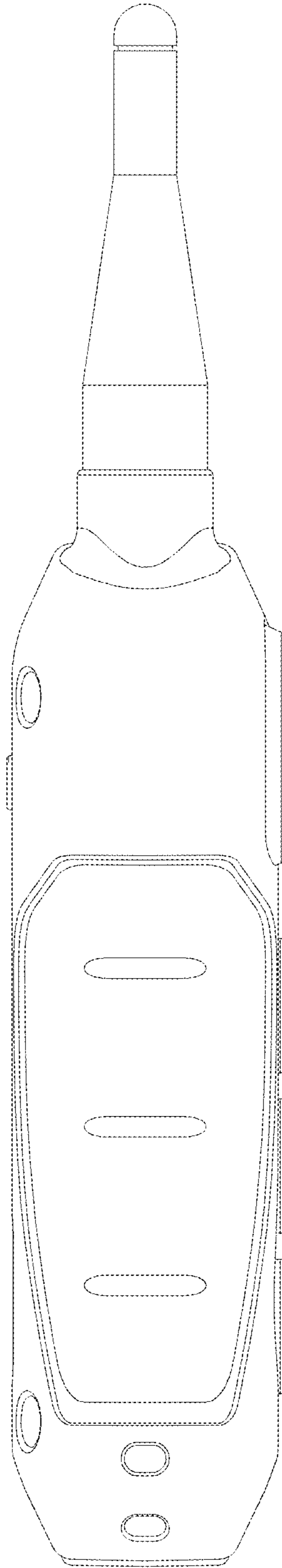


FIG. 3

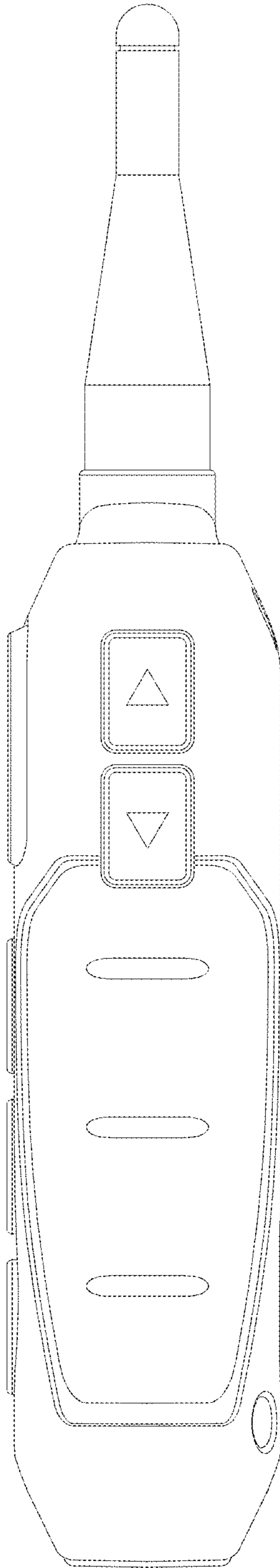


FIG. 4

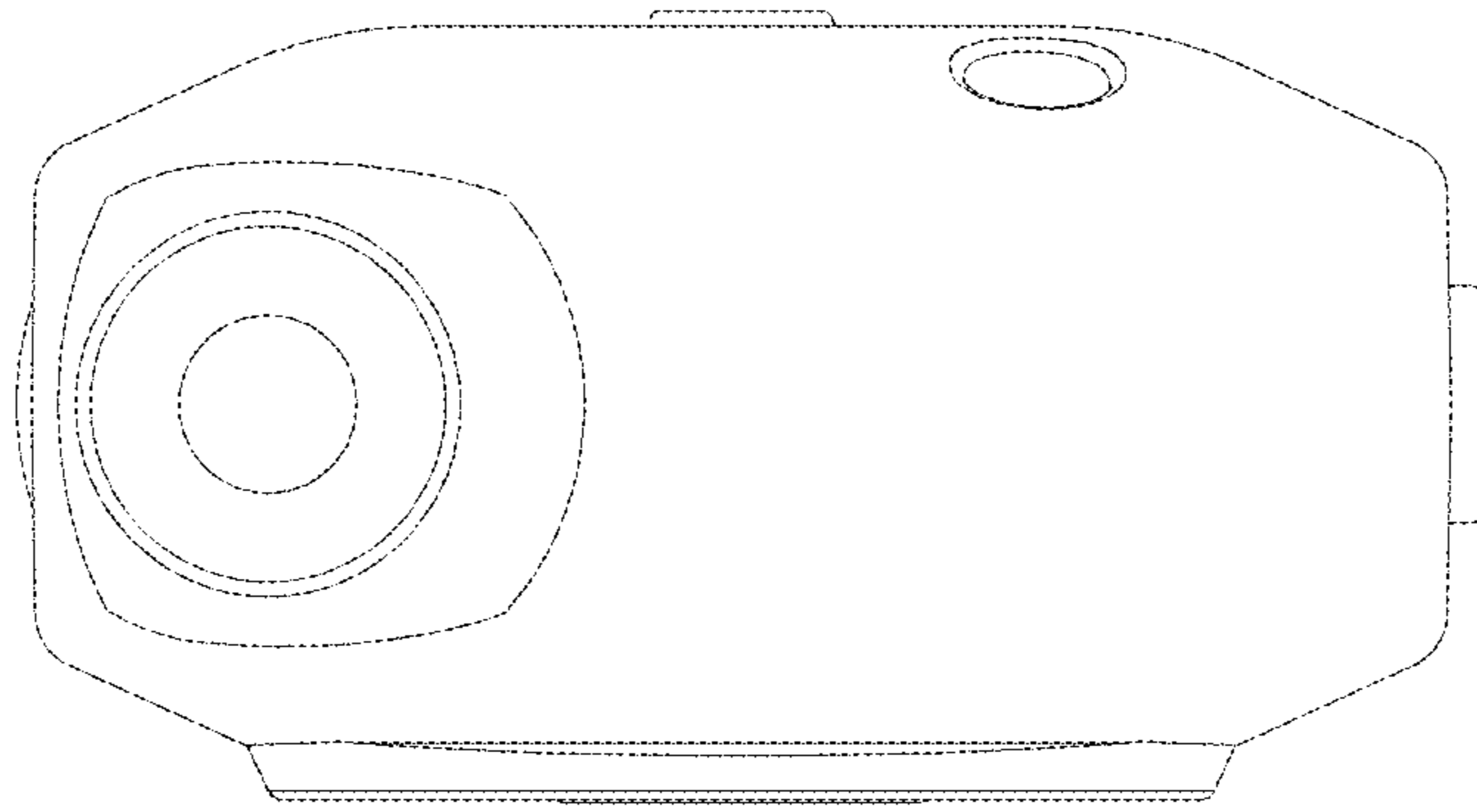


FIG. 5

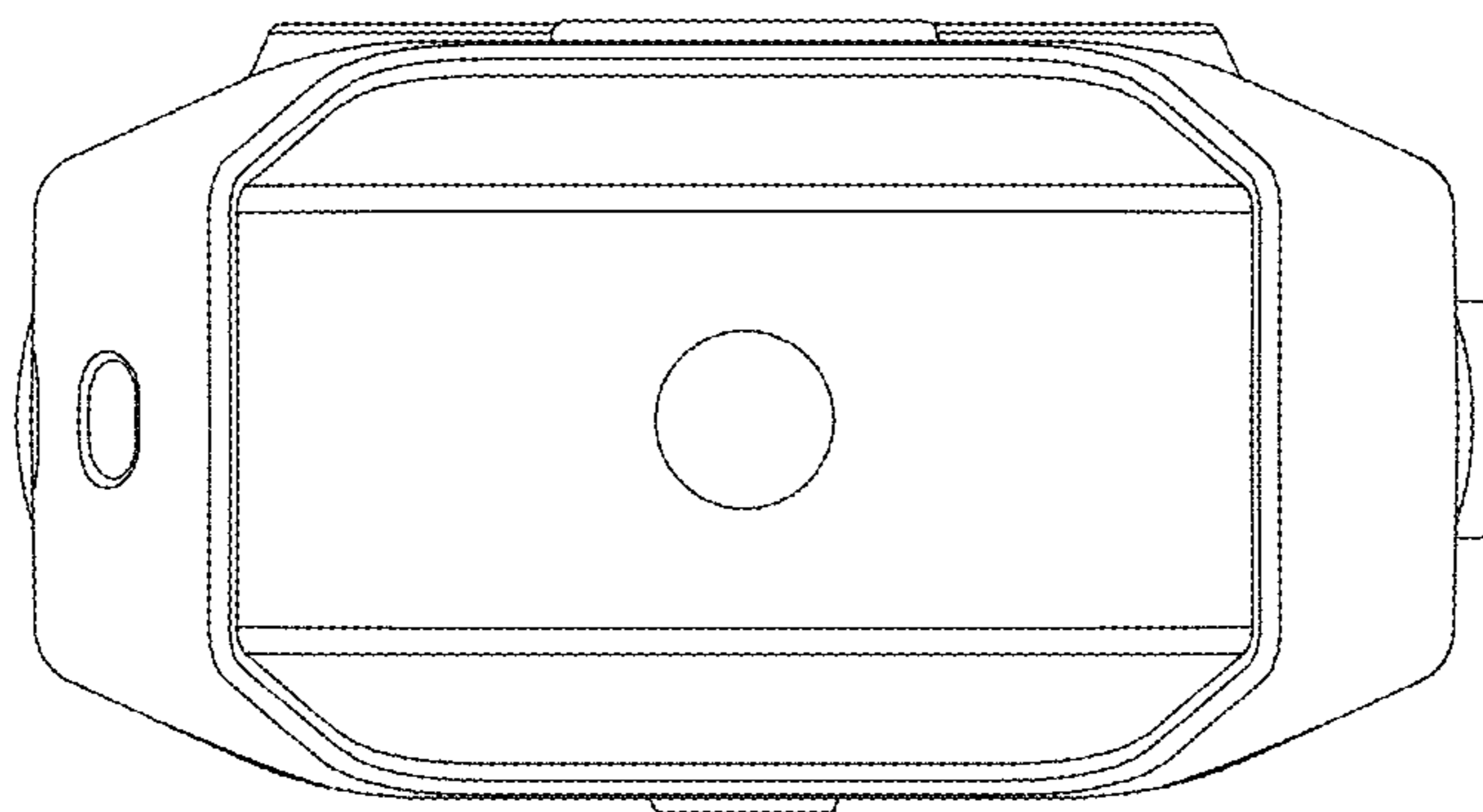


FIG. 6

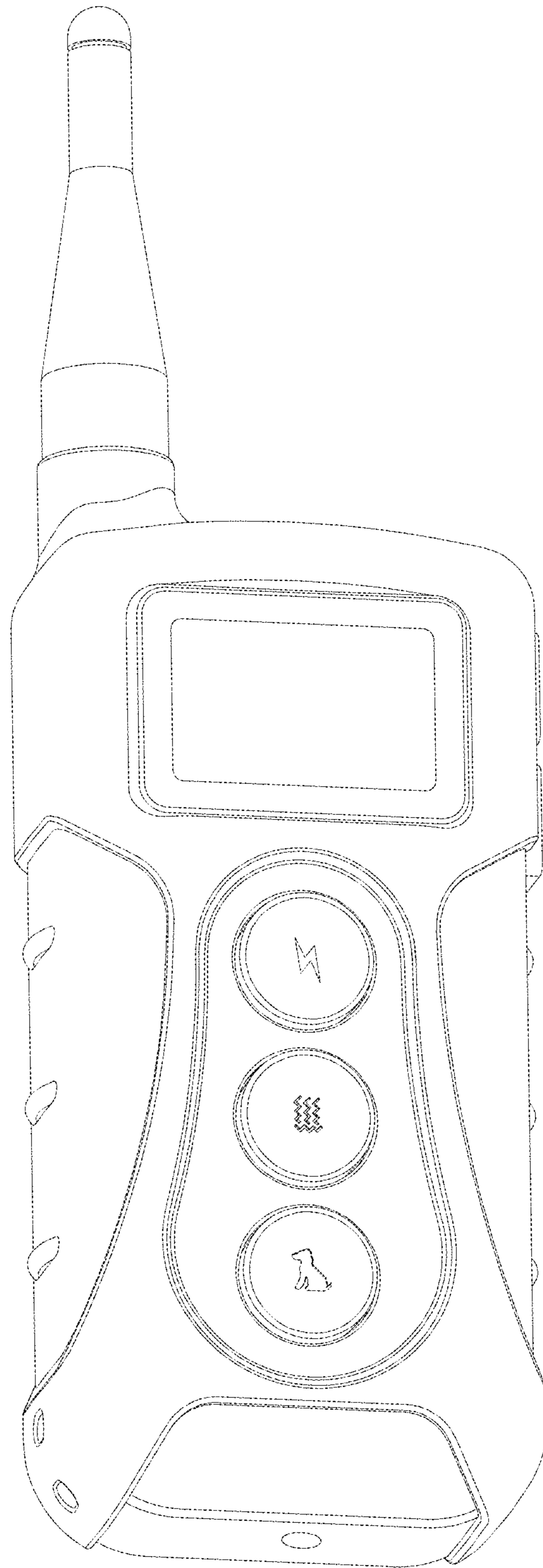


FIG. 7

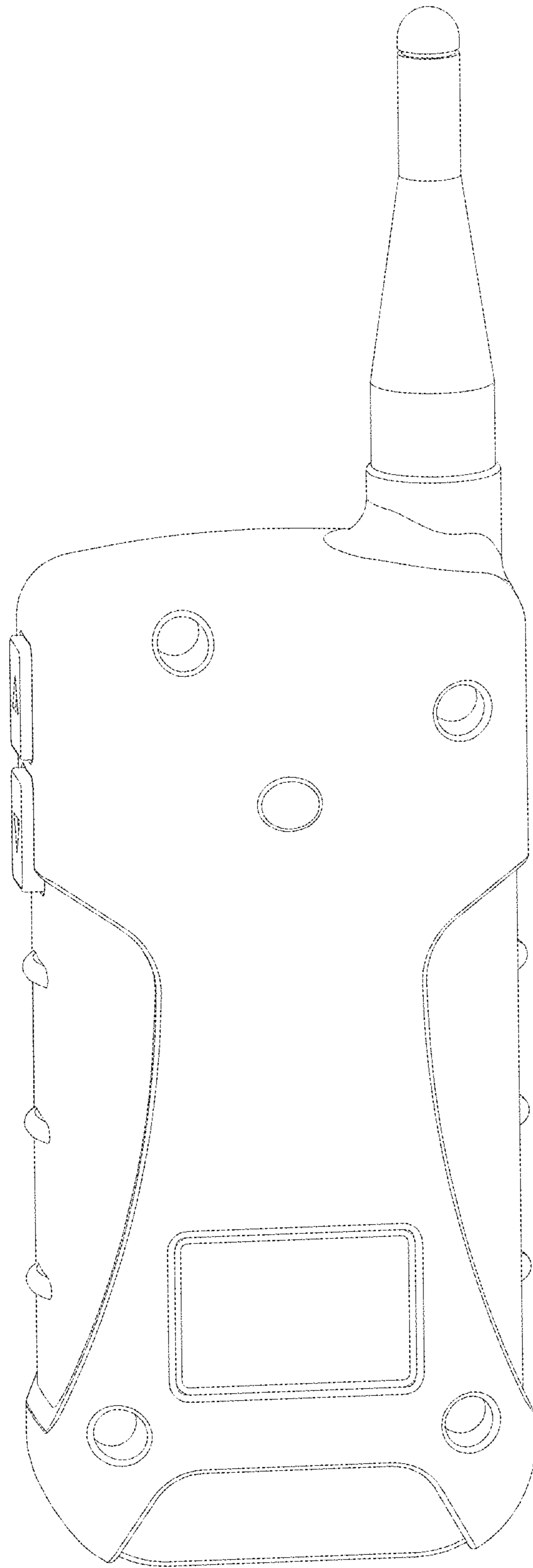


FIG. 8