



US00D774934S

(12) **United States Design Patent** (10) **Patent No.:** **US D774,934 S**
Akana et al. (45) **Date of Patent:** **** Dec. 27, 2016**

(54) **SECURITY ATTACHMENT**

(71) Applicant: **Apple Inc.**, Cupertino, CA (US)

(72) Inventors: **Jody Akana**, San Francisco, CA (US); **Molly Anderson**, San Francisco, CA (US); **Bartley K. Andre**, Palo Alto, CA (US); **Shota Aoyagi**, San Francisco, CA (US); **Anthony Michael Ashcroft**, San Francisco, CA (US); **Jeremy Bataillou**, San Francisco, CA (US); **Daniel J. Coster**, San Francisco, CA (US); **Daniele De Iuliis**, San Francisco, CA (US); **Michael Gorman**, Dublin, CA (US); **M. Evans Hankey**, San Francisco, CA (US); **Russell John Kaaihue Heirakuji**, Cupertino, CA (US); **Julian Hoenig**, San Francisco, CA (US); **Richard P. Howarth**, San Francisco, CA (US); **Jonathan P. Ive**, San Francisco, CA (US); **Duncan Robert Kerr**, San Francisco, CA (US); **Peter Russell-Clarke**, San Francisco, CA (US); **Charles A. Schwalbach**, Menlo Park, CA (US); **Benjamin Andrew Shaffer**, San Jose, CA (US); **Mikael Silvanto**, San Francisco, CA (US); **Christopher J. Stringer**, Woodside, CA (US); **Clement Tissandier**, San Francisco, CA (US); **Eugene Antony Whang**, San Francisco, CA (US); **Sheng Yang**, Mountain View, CA (US); **Rico Zörkendörfer**, San Francisco, CA (US)

(73) Assignee: **Apple Inc.**, Cupertino, CA (US)

(**) Term: **15 Years**

(21) Appl. No.: **29/543,306**

(22) Filed: **Oct. 22, 2015**

Related U.S. Application Data

(63) Continuation of application No. 29/543,183, filed on Oct. 21, 2015.

(51) **LOC (10) Cl.** **10-05**

(52) **U.S. Cl.**
USPC **D10/104.1**

(58) **Field of Classification Search**
USPC D10/104.1, 106.1, 106.9; D8/332, 333, D8/342, 343; 340/572.1, 572.2, 572.8, 340/572.9; 70/14, 57.1, 58; 24/704.1
(Continued)

(56) **References Cited**

U.S. PATENT DOCUMENTS

D356,044 S * 3/1995 Clements D10/104.1
5,493,878 A * 2/1996 Murray, Jr. E05B 73/0005
248/553

(Continued)

Primary Examiner — George D Kirschbaum

Assistant Examiner — Joseph Kukella

(74) *Attorney, Agent, or Firm* — Sterne, Kessler, Goldstein & Fox P.L.L.C.

(57) **CLAIM**

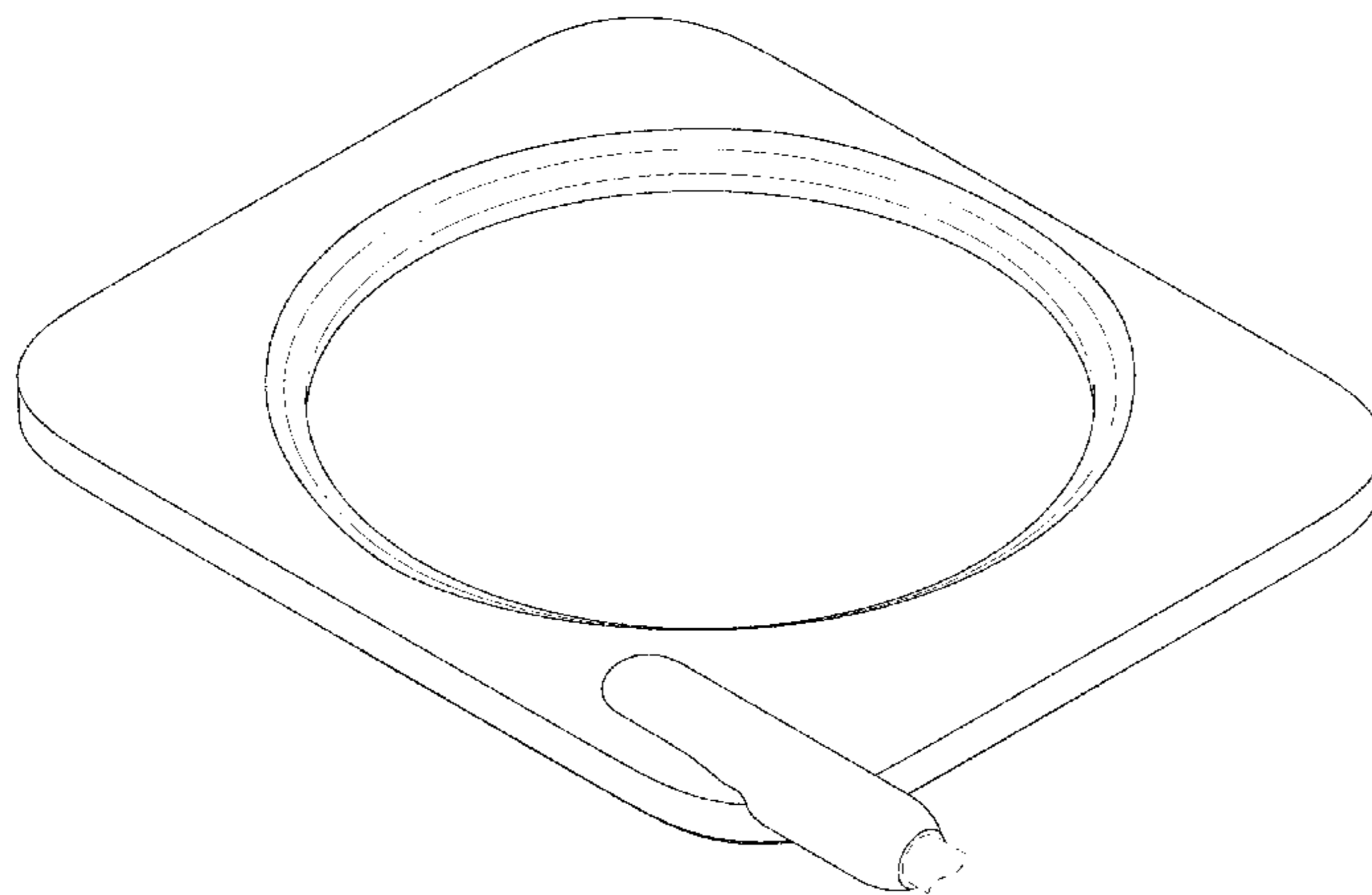
The ornamental design for a security attachment, as shown and described.

DESCRIPTION

FIG. 1 is a top front perspective view of a security attachment showing our new design;
FIG. 2 is a bottom front perspective view thereof;
FIG. 3 is a front view thereof;
FIG. 4 is a rear view thereof;
FIG. 5 is a left side view thereof;
FIG. 6 is a right side view thereof;
FIG. 7 is a top view thereof; and,
FIG. 8 is a bottom view thereof.

The broken lines in the figures show portions of the security attachment that form no part of the claimed design.

1 Claim, 6 Drawing Sheets



(58) **Field of Classification Search**

CPC E05B 73/00; E05B 45/005; G08B 13/1445;
 A44B 19/301; A45C 13/18; G06K
 19/005; G06K 19/07749; G09F 3/20
 See application file for complete search history.

D599,241	S	*	9/2009	Andre	D10/104.1
D647,107	S	*	10/2011	Akana	D14/203.3
D657,381	S	*	4/2012	Akana	D14/203.3
D692,921	S	*	11/2013	Akana	D14/203.3
D710,231	S	*	8/2014	Barksdale	D10/106.9
D728,624	S		5/2015	Akana et al.		
D752,044	S	*	3/2016	Akana	D14/344
2009/0128339	A1	*	5/2009	Mitchell	B66F 17/00 340/572.8
2009/0276984	A1	*	11/2009	Rabe	A44B 19/301 24/388
2010/0180648	A1	*	7/2010	Knox	E05B 73/0082 70/58
2011/0061427	A1	*	3/2011	Mahaffey	E05B 73/0005 70/58
2011/0283750	A1	*	11/2011	Will	E05B 45/005 70/18
2012/0279780	A1	*	11/2012	Villarreal	G08B 13/1445 174/71 R

(56) **References Cited**

U.S. PATENT DOCUMENTS

5,787,739	A	*	8/1998	Derman	E05B 67/383 70/14
5,814,968	A	*	9/1998	Lovegreen	H01M 2/1022 320/113
6,038,891	A	*	3/2000	Zeren	E05B 73/0005 70/14
D511,984	S	*	11/2005	Kumagai	D10/104.1
D539,635	S	*	4/2007	Weinerman	D8/343
D559,138	S	*	1/2008	Cothron	D10/104.1

* cited by examiner

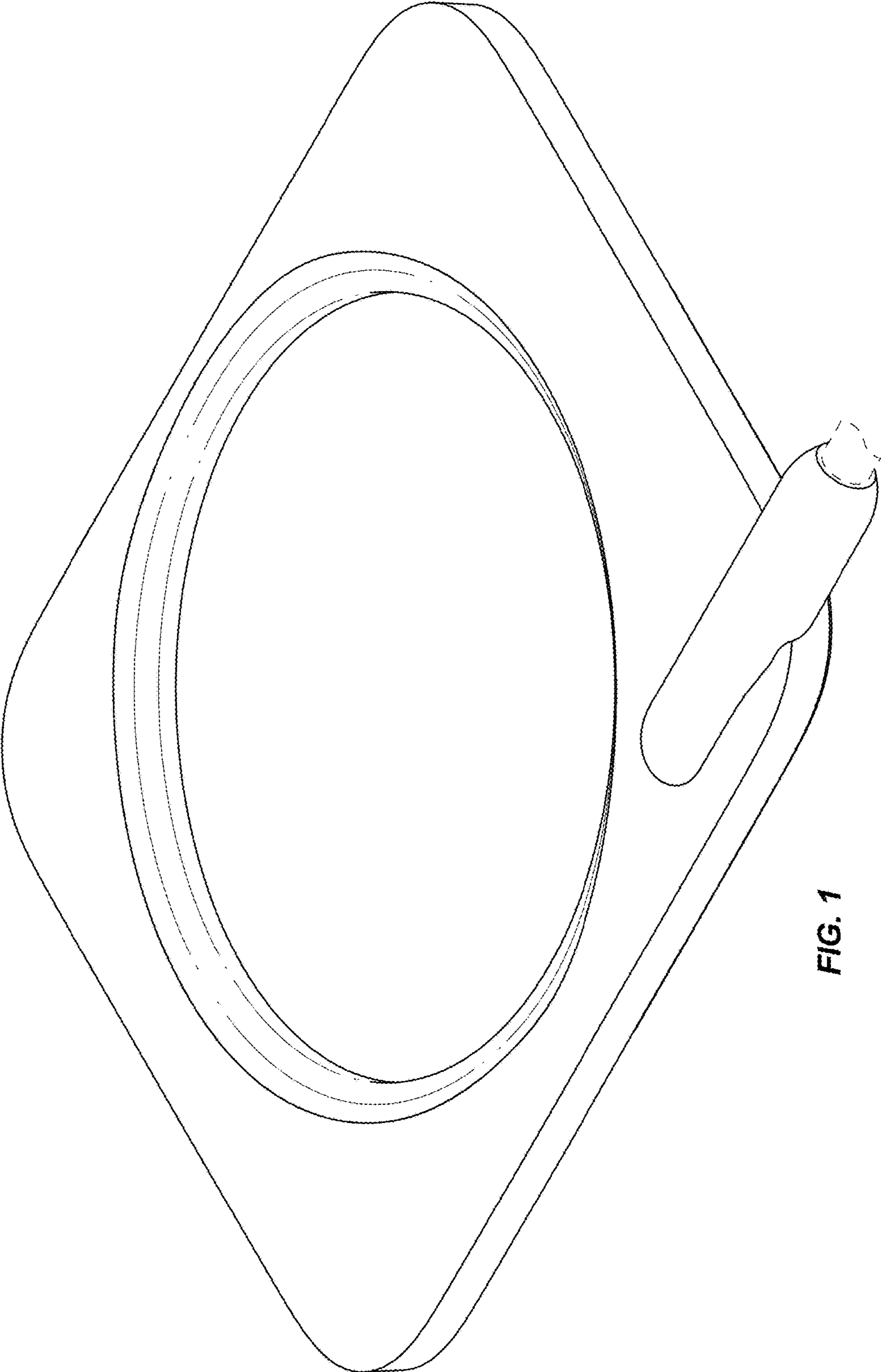


FIG. 1

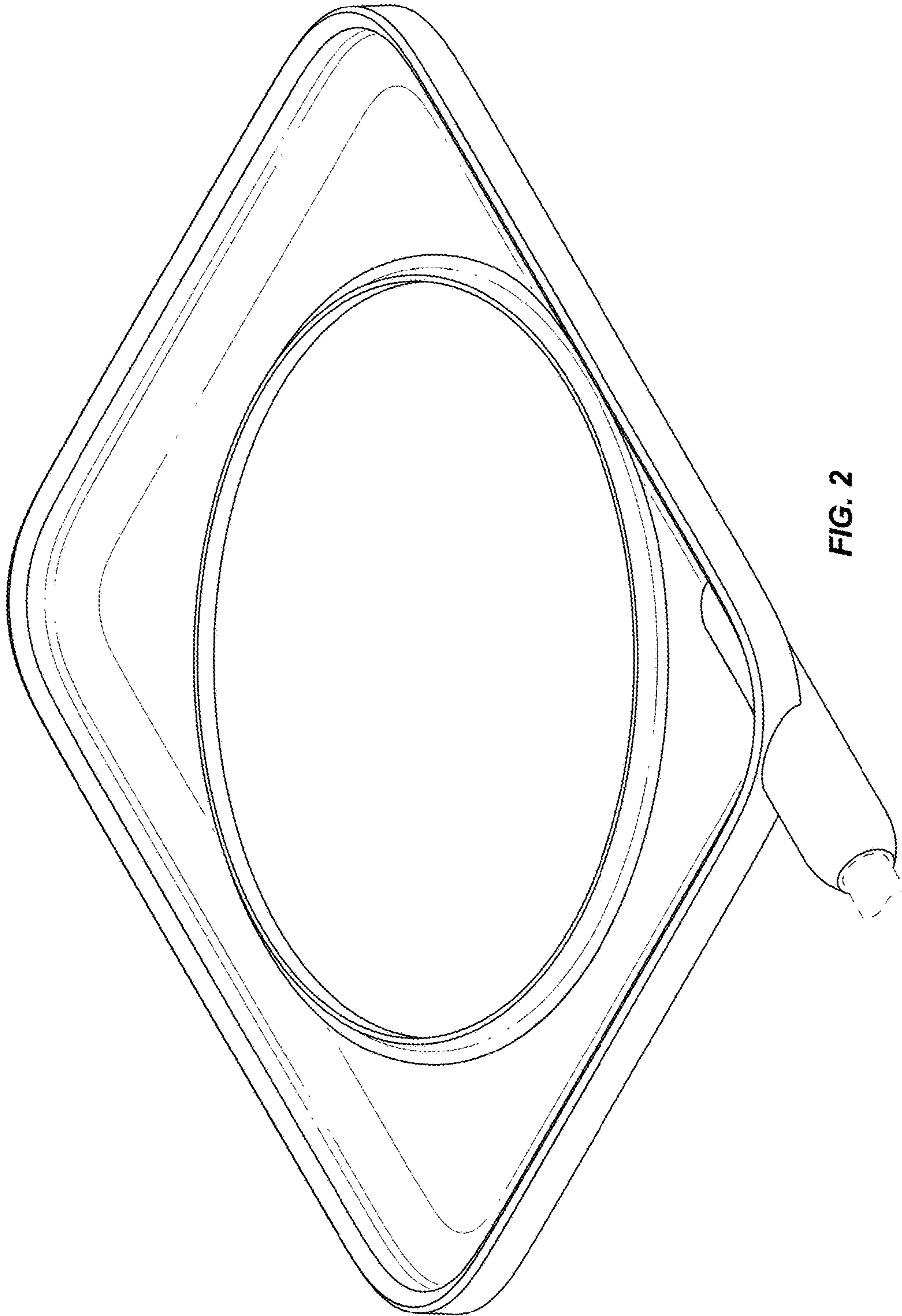


FIG. 2

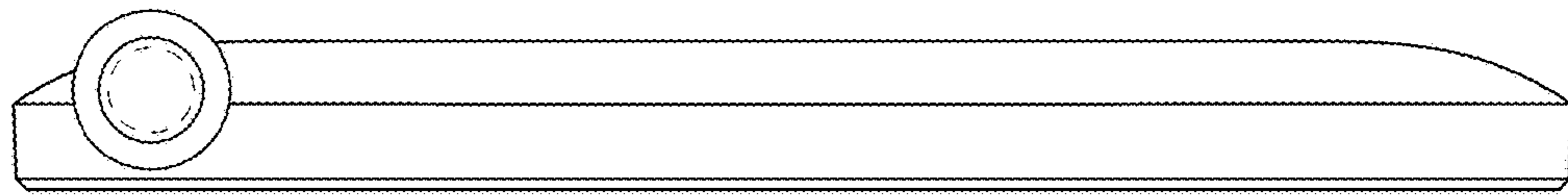


FIG. 3

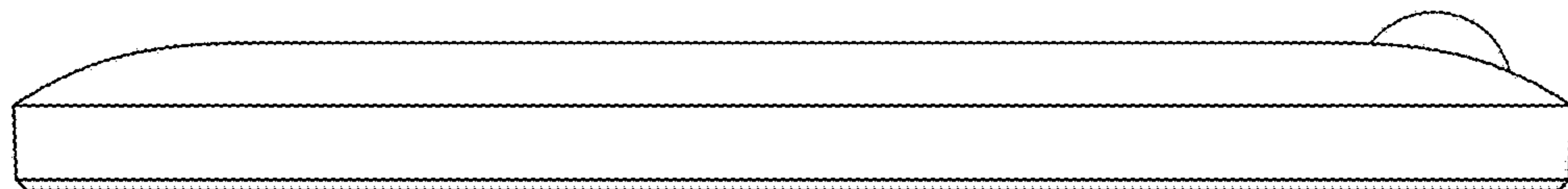


FIG. 4

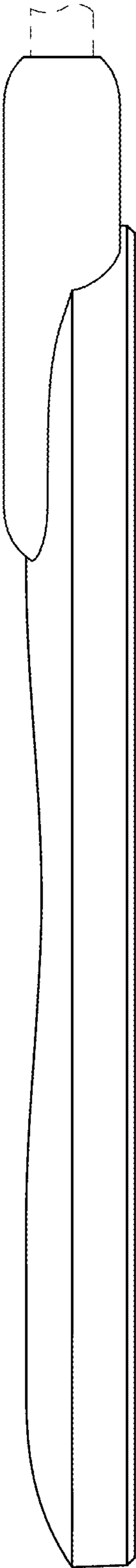


FIG. 5

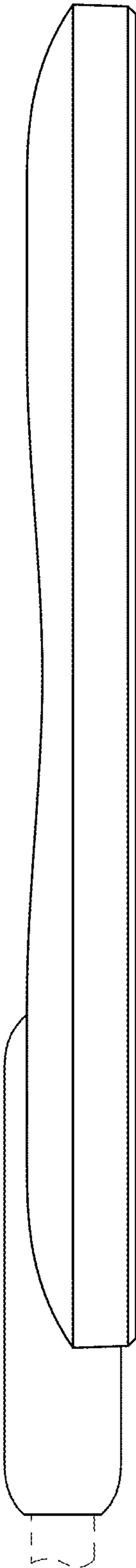


FIG. 6

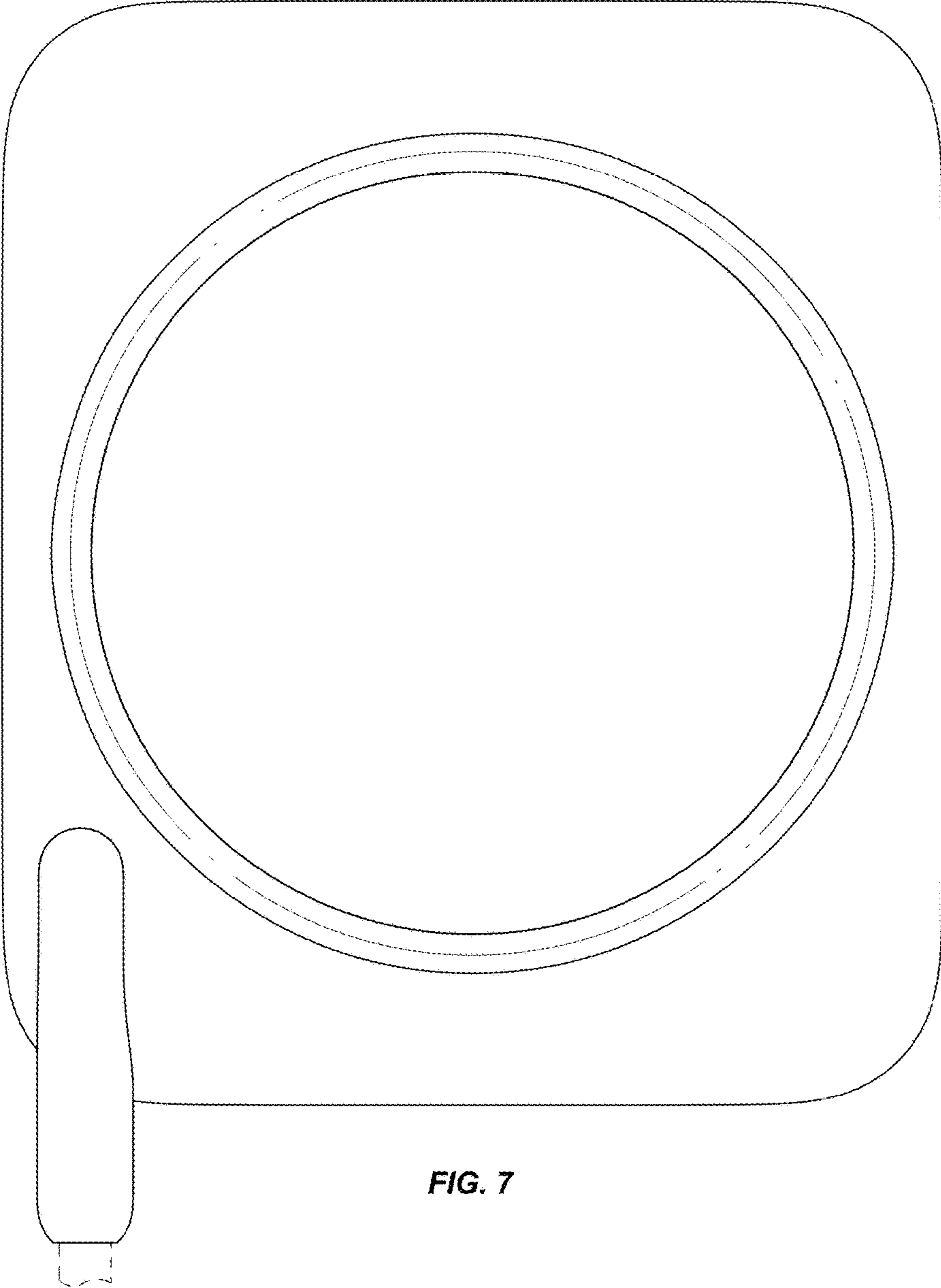


FIG. 7

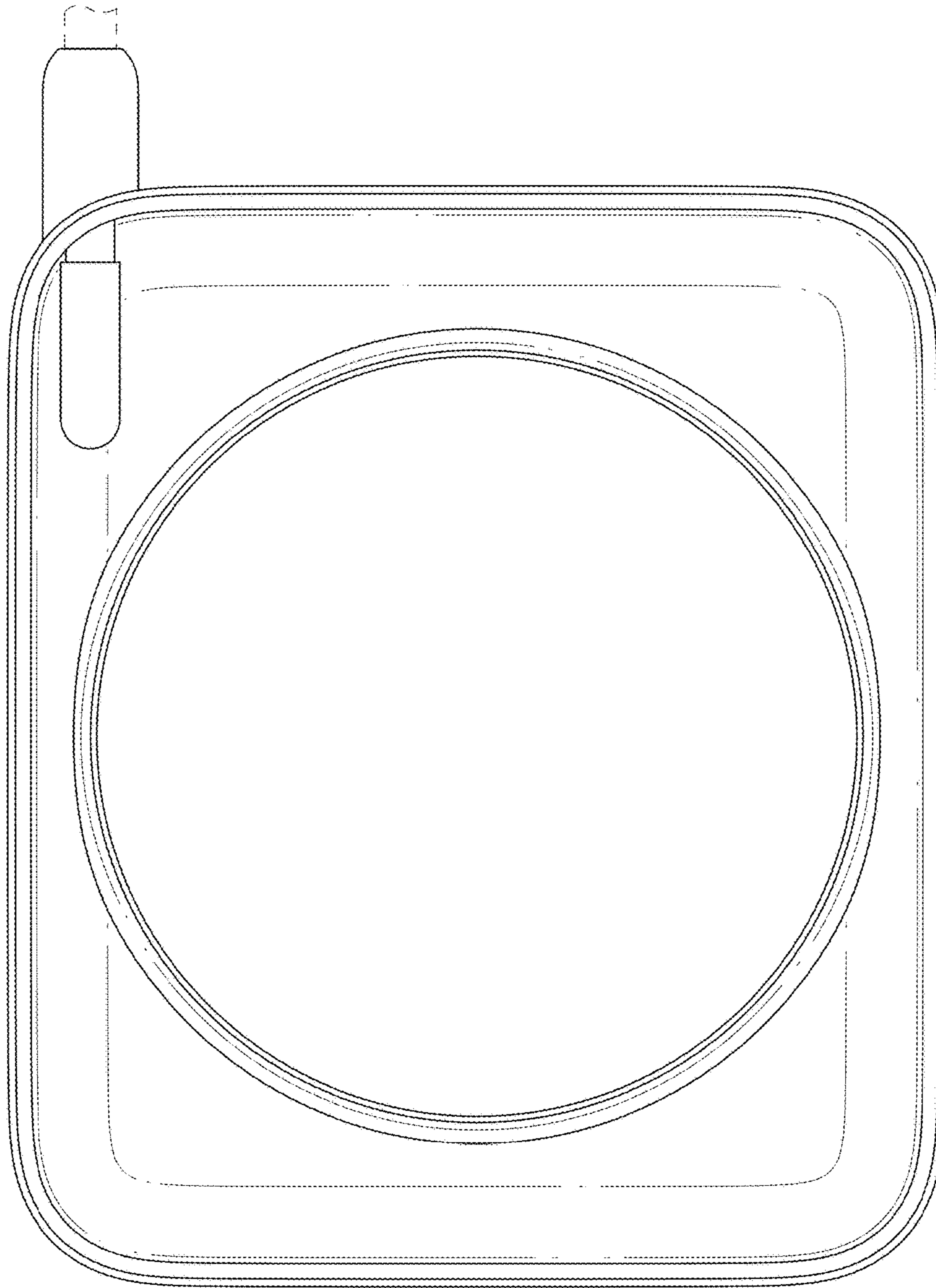


FIG. 8