



US00D774933S

(12) **United States Design Patent** (10) **Patent No.:** **US D774,933 S**  
**Pecorari et al.** (45) **Date of Patent:** **\*\* Dec. 27, 2016**

(54) **TRANSMITTER**  
(71) Applicant: **Horizon Hobby, LLC**, Champaign, IL (US)  
(72) Inventors: **Mirco Pecorari**, Modena (IT); **Danny Snyder**, Monticello, IL (US)  
(73) Assignee: **Horizon Hobby, LLC**, Champaign, IL (US)

D447,778 S \* 9/2001 Bao ..... D21/566  
D453,929 S \* 2/2002 Gartrell et al. .... D14/248  
D456,050 S \* 4/2002 Bao ..... D21/566  
D471,603 S \* 3/2003 Morita et al. .... D21/566  
6,620,022 B1 \* 9/2003 Smith et al. .... 446/454  
D514,172 S \* 1/2006 Jinno et al. .... D21/566  
D516,136 S \* 2/2006 Yuen ..... D21/566  
D517,129 S \* 3/2006 Yamamoto et al. .... D21/566  
D519,468 S \* 4/2006 Khasminsky ..... D13/168

(Continued)

(\*\*) Term: **14 Years**  
(21) Appl. No.: **29/519,700**

(22) Filed: **Mar. 6, 2015**  
(51) **LOC (10) Cl.** ..... **10-06**  
(52) **U.S. Cl.**  
USPC ..... **D10/104.1**  
(58) **Field of Classification Search**  
USPC ..... D10/18, 21, 24, 25, 27, 28, 46, 93, 104,  
D10/106, 113, 116.1, 121  
CPC ..... A63H 30/04; G05G 2009/04748;  
H04B 1/1027  
See application file for complete search history.

**OTHER PUBLICATIONS**

Remote Control RC, image post date Nov. 29, 2010, site visited May 30, 2015, (online), <<http://design-site.net/cutpapercollage/remote-control-rc>>.\*

(Continued)

*Primary Examiner* — Kevin Rudzinski  
*Assistant Examiner* — Sean D Lough  
(74) *Attorney, Agent, or Firm* — Barnes & Thornburg LLP

(57) **CLAIM**

The ornamental design for a transmitter, as shown and described.

(56) **References Cited**

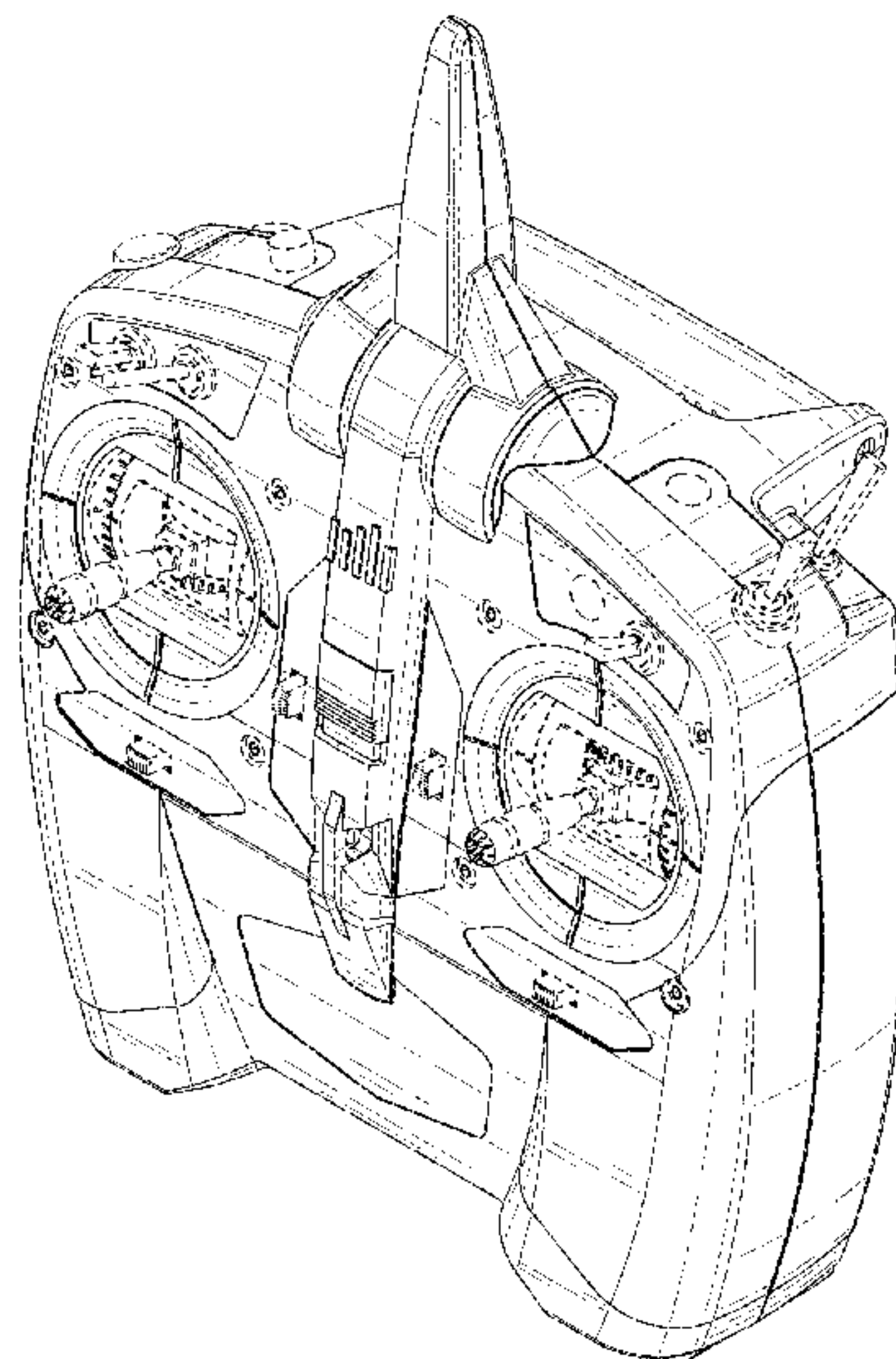
**U.S. PATENT DOCUMENTS**

2,272,937 A \* 2/1942 Emde ..... 312/7.1  
D322,103 S \* 12/1991 Kohno ..... D21/566  
D322,297 S \* 12/1991 Kohno ..... D21/566  
D342,297 S \* 12/1993 Kouno ..... D21/566  
D344,553 S \* 2/1994 Arai ..... D21/566  
5,499,388 A \* 3/1996 Song ..... 455/62  
D374,694 S \* 10/1996 Arai ..... D21/566  
D377,198 S \* 1/1997 Oikawa et al. .... D14/401  
D395,472 S \* 6/1998 Kanetsuna et al. .... D21/566  
D397,169 S \* 8/1998 Kanetsuna et al. .... D21/453  
D408,398 S \* 4/1999 Arnold ..... D14/138 AA  
D426,226 S \* 6/2000 Ridinger ..... D14/188  
D433,674 S \* 11/2000 Buckley ..... D14/218  
D443,258 S \* 6/2001 Gartrell et al. .... D14/138 AA

**DESCRIPTION**

FIG. 1 is a perspective view of my new design for a transmitter;  
FIG. 2 is a front view thereof;  
FIG. 3 is a rear view thereof;  
FIG. 4 is a left side view thereof;  
FIG. 5 is a right side view thereof;  
FIG. 6 is a top view thereof; and,  
FIG. 7 is a bottom view thereof.  
The broken lines illustrate portions of the transmitter that form no part of the claimed design. The shade lines in the figures show contour and not surface ornamentation.

**1 Claim, 7 Drawing Sheets**



(56)

**References Cited**

U.S. PATENT DOCUMENTS

D521,573	S	*	5/2006	Jinno et al.	.....	D21/566
D546,905	S	*	7/2007	Arai et al.	.....	D21/566
7,250,844	B2	*	7/2007	Arai et al.	.....	338/118
D560,204	S	*	1/2008	Bhavnani	.....	D14/171
D568,420	S	*	5/2008	Hamasaki	.....	D21/566
D568,421	S	*	5/2008	Sonoda	.....	D21/566
D570,924	S	*	6/2008	Wai	.....	D21/566
D573,204	S	*	7/2008	Arai et al.	.....	D21/566
D577,394	S	*	9/2008	Wai	.....	D21/566
D594,071	S	*	6/2009	Jinno et al.	.....	D21/566
D636,825	S	*	4/2011	Tanaka et al.	.....	D21/566
D650,021	S	*	12/2011	Suzuki et al.	.....	D21/566
D670,768	S	*	11/2012	Isono et al.	.....	D21/566
D707,758	S	*	6/2014	Norman et al.	.....	D21/566
2003/0114075	A1	*	6/2003	Moll et al.	.....	446/456
2006/0228987	A1	*	10/2006	Hayashi	.....	446/456

OTHER PUBLICATIONS

Tamco 2 Channel 2.4Ghz FHSS Radio Combo, image post date May 13, 2012, site visited Sep. 11, 2015, (online), <[http://web.archive.org/web/20120513210041/http://cornwallmodelboats.co.uk/acatalog/Tamco\\_2.4Ghz\\_Radio\\_Control\\_Systems.html](http://web.archive.org/web/20120513210041/http://cornwallmodelboats.co.uk/acatalog/Tamco_2.4Ghz_Radio_Control_Systems.html)>.\*

\* cited by examiner

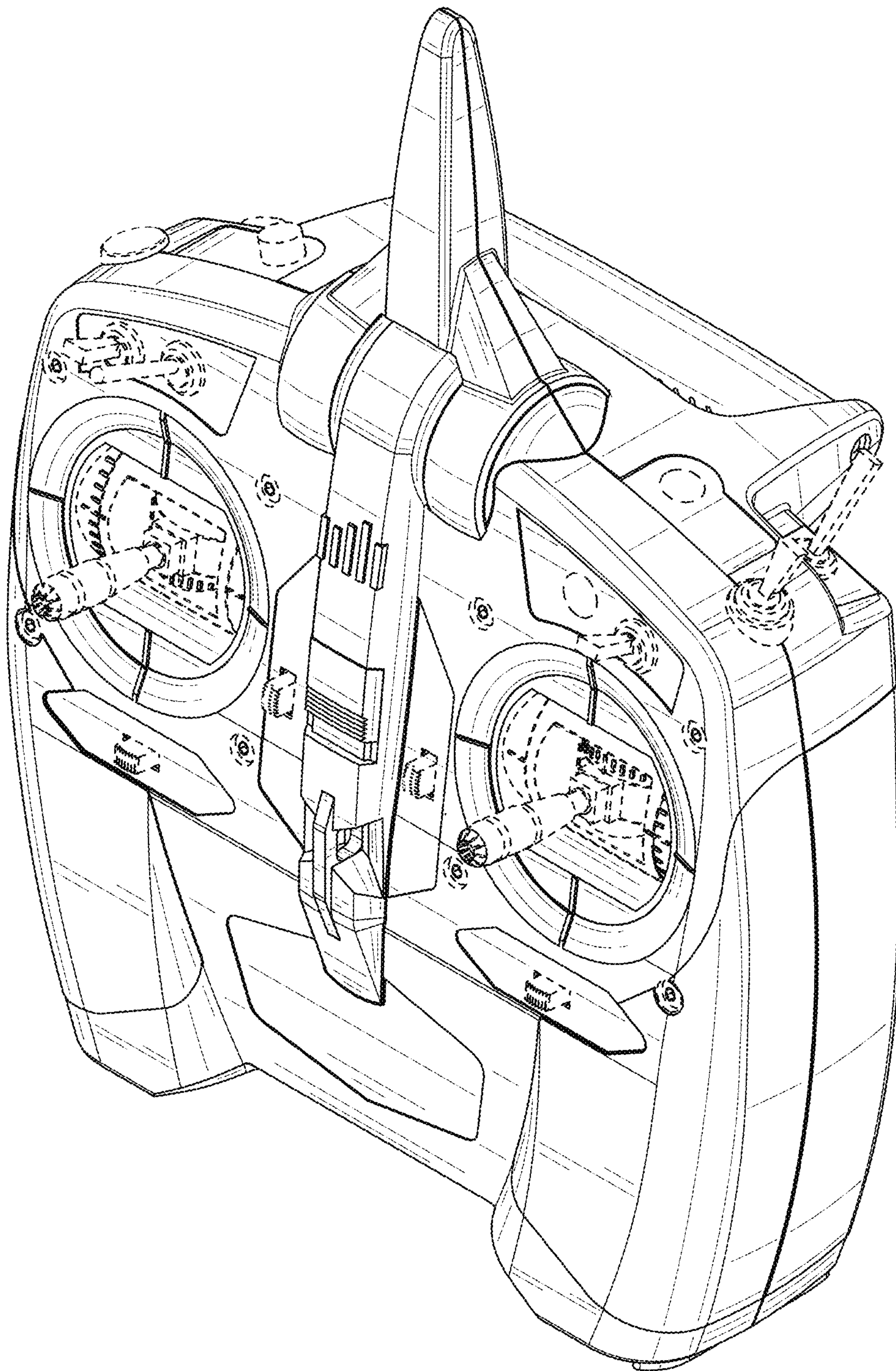


FIG. 1



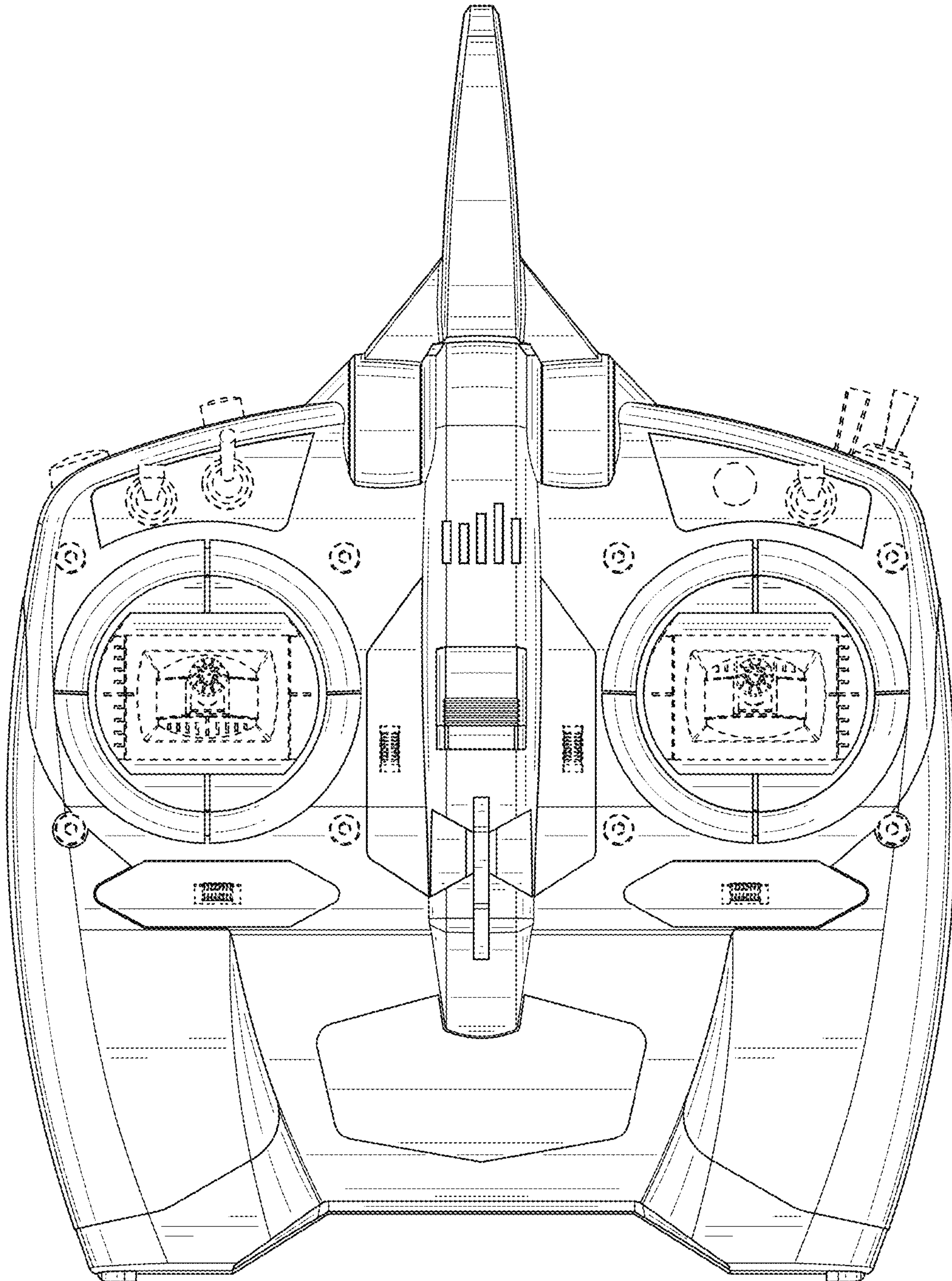


FIG. 2

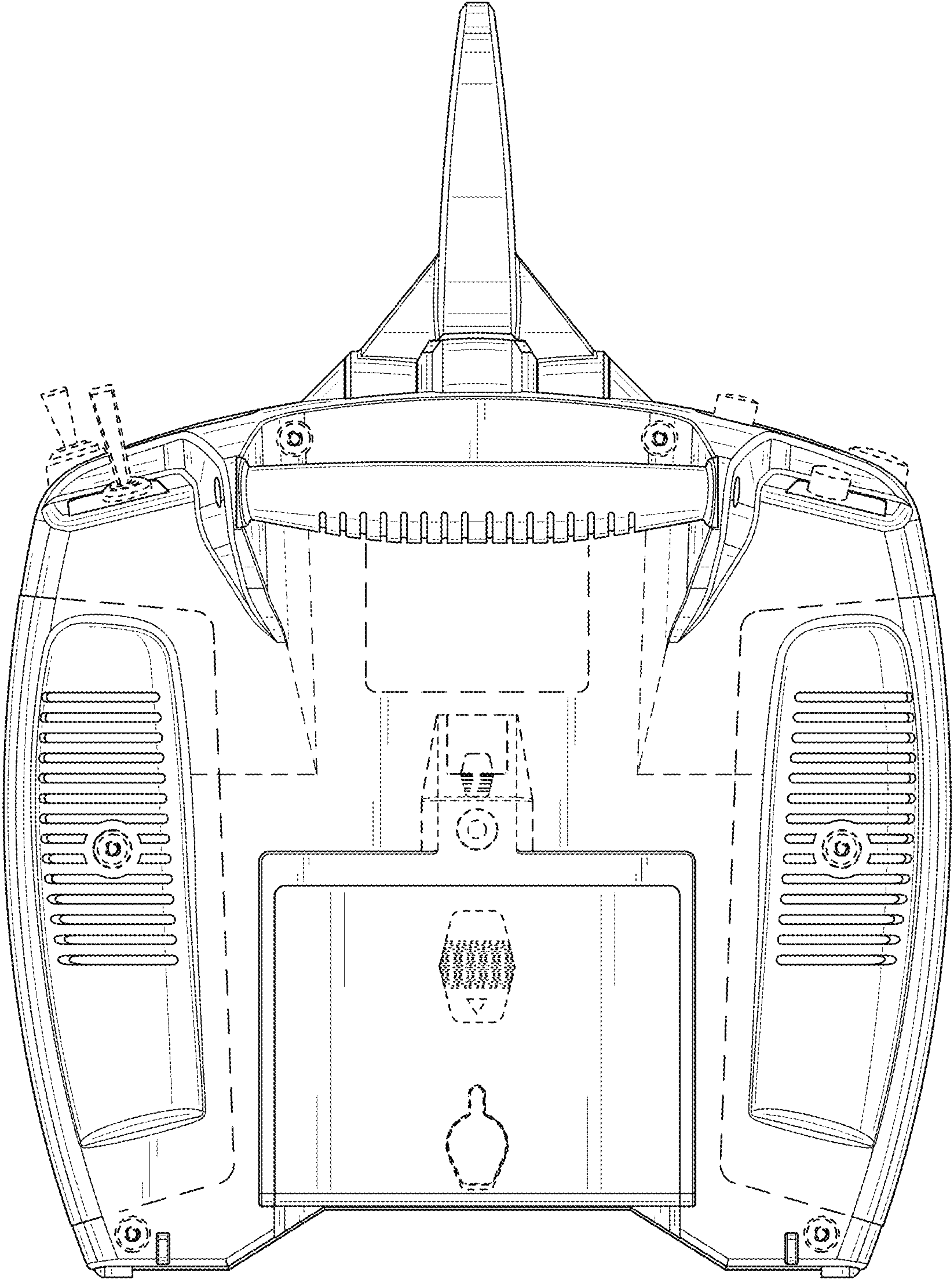


FIG. 3

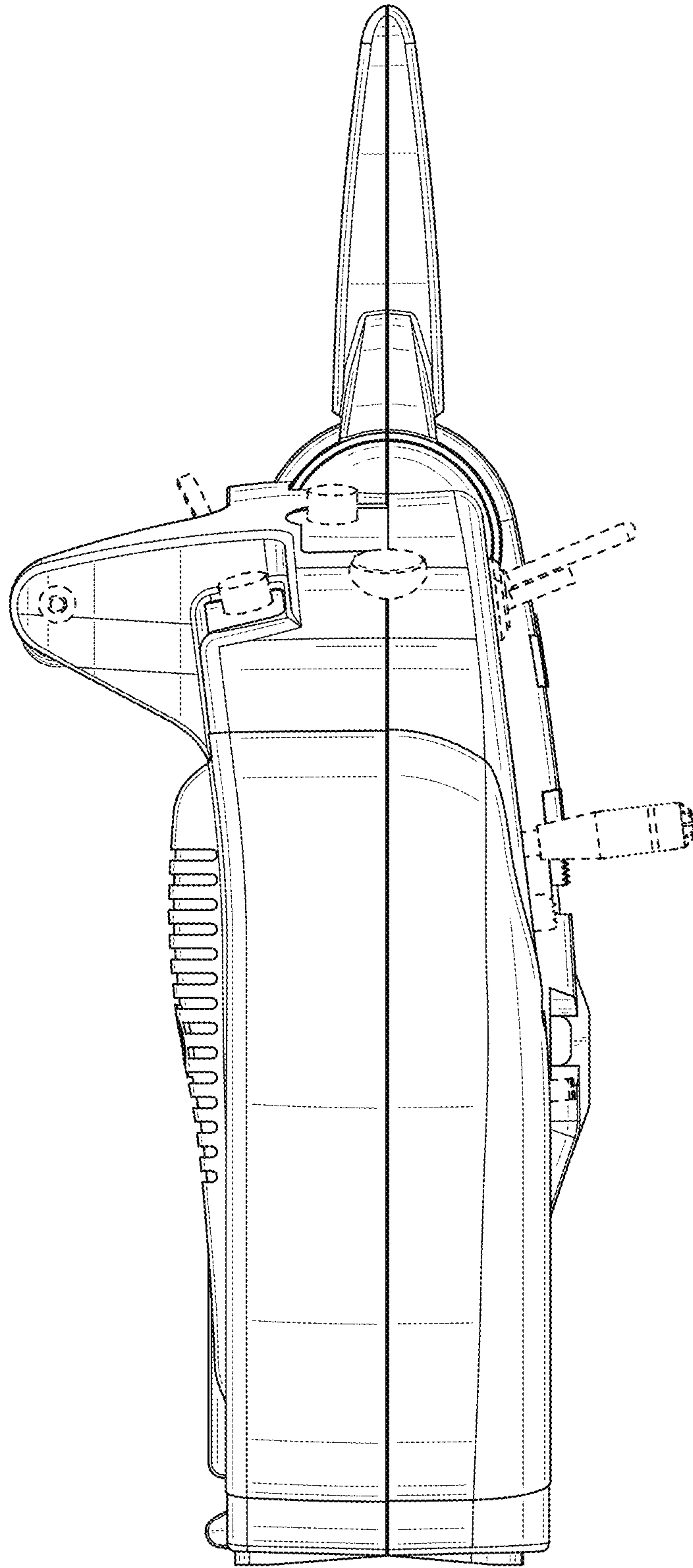


FIG. 4



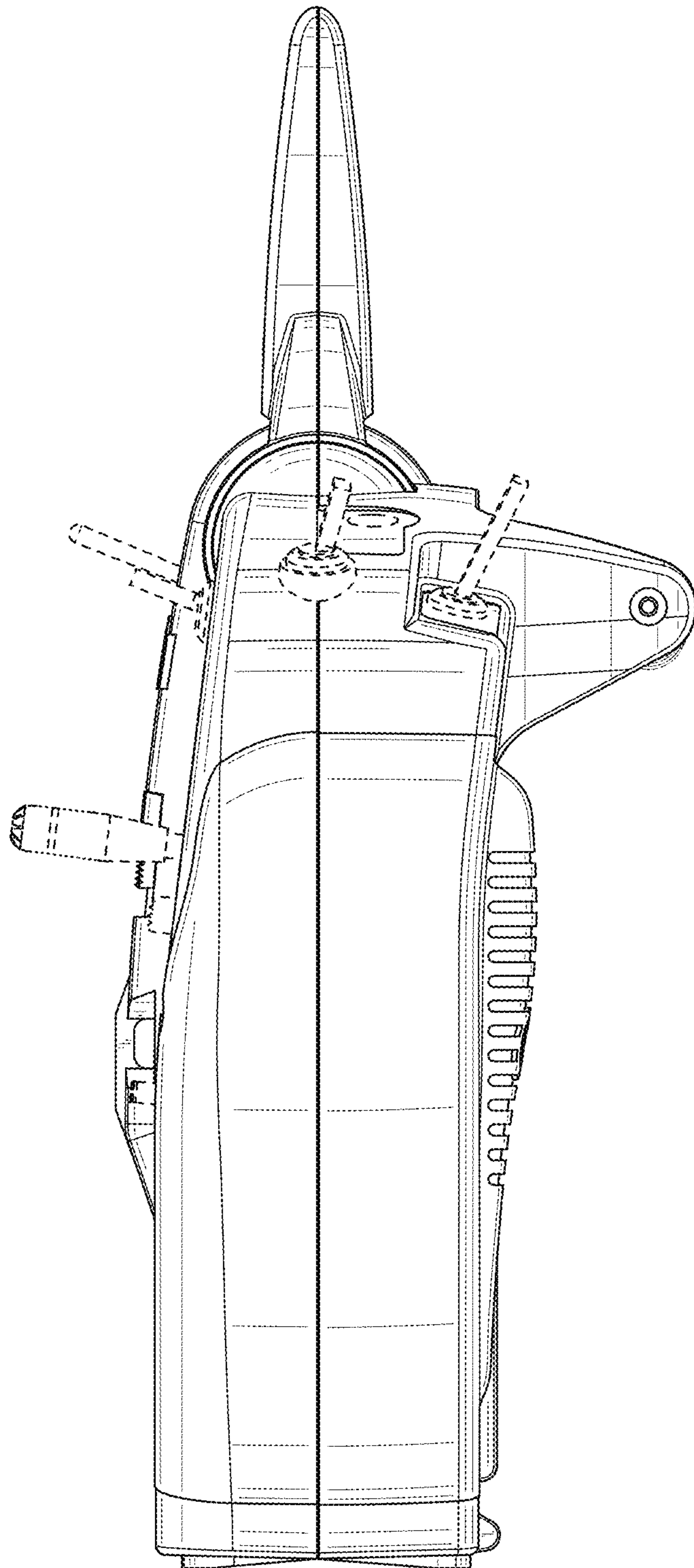


FIG. 5

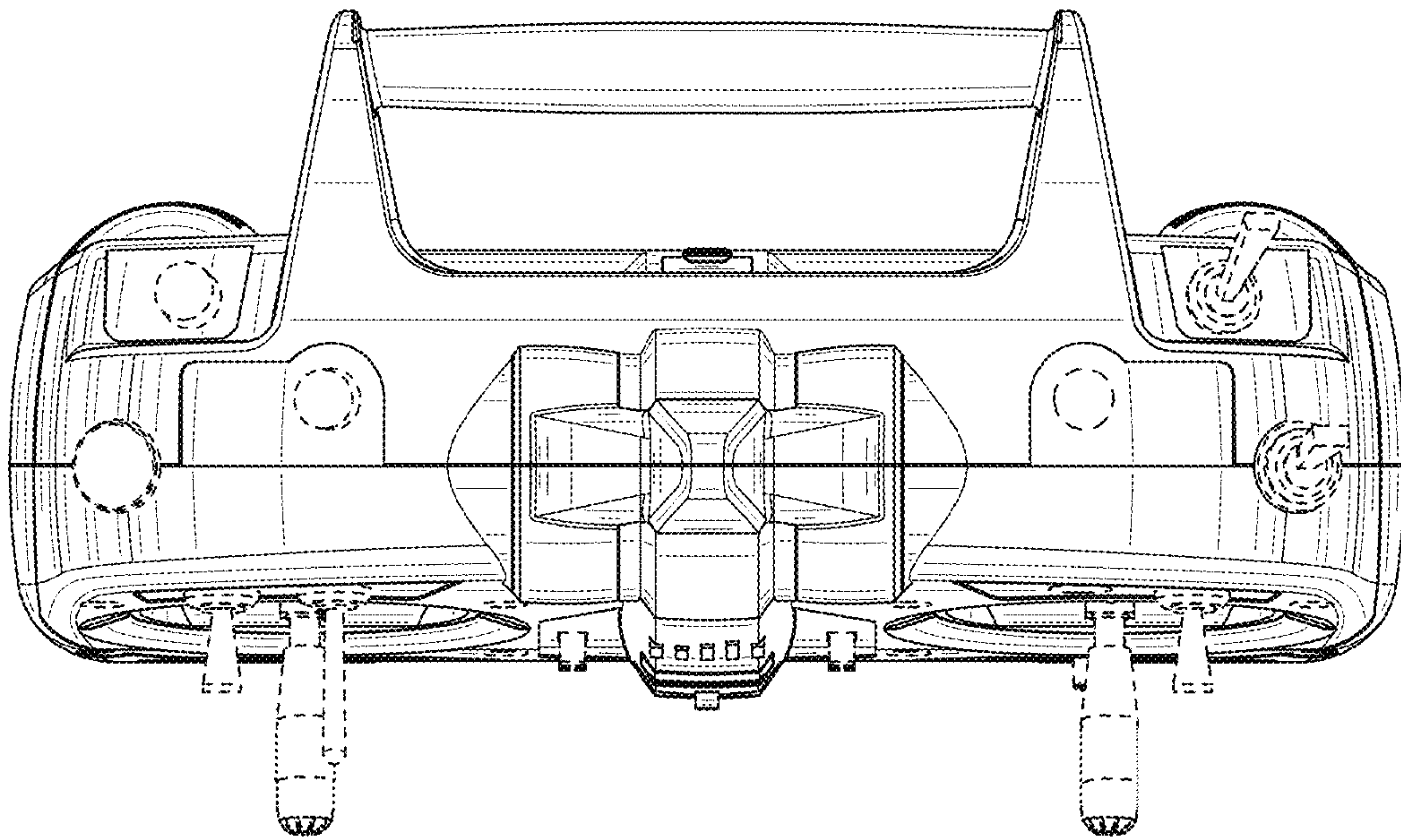


FIG. 6



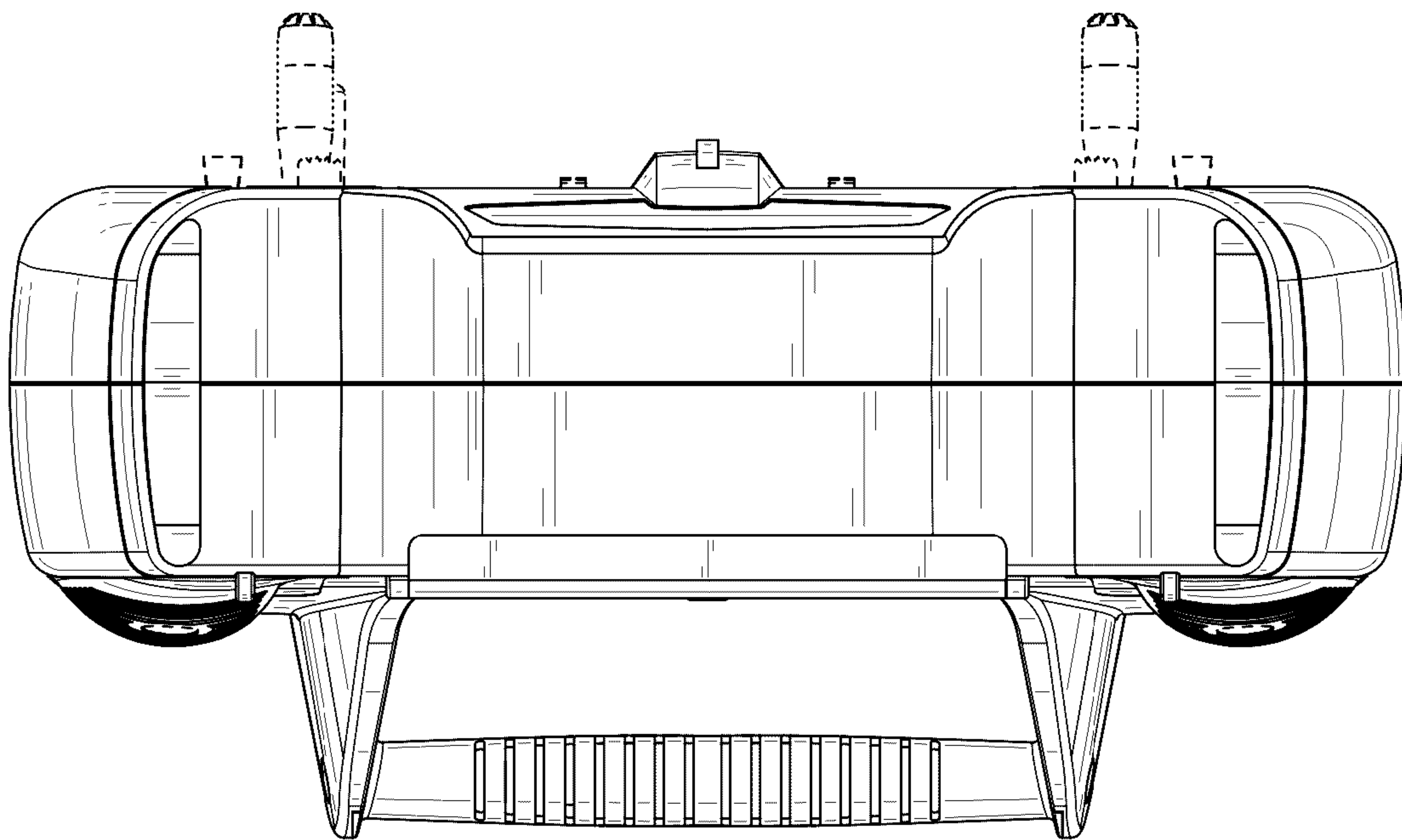


FIG. 7