



US00D774930S

(12) **United States Design Patent** (10) **Patent No.:** **US D774,930 S**  
**Reynolds, IV et al.** (45) **Date of Patent:** **\*\* Dec. 27, 2016**

(54) **CYCLE COUNT INSTRUMENT**

FOREIGN PATENT DOCUMENTS

(71) Applicant: **BROADLEY-JAMES CORPORATION**, Irvine, CA (US)

DE 10 2007 039 088 A1 2/2009

(72) Inventors: **William E. Reynolds, IV**, Irvine, CA (US); **Robert J. Garrahy**, Walnut, CA (US); **Andrew W. Hayward**, Flitwick (GB); **Robert Fish**, Rancho Cucamonga, CA (US); **Jared H. Nathanson**, Mission Viejo, CA (US); **Bradley Joseph Sargent**, Mission Viejo, CA (US); **Scott T. Broadley**, Laguna Beach, CA (US)

OTHER PUBLICATIONS

International Search Report for International Application No. PCT/US2014/025025, dated Sep. 9, 2014.

Written Opinion of the International Searching Authority for International Application No. PCT/US2014/025025, dated Sep. 9, 2014.

\* cited by examiner

*Primary Examiner* — Antoine D Davis

(74) *Attorney, Agent, or Firm* — Knobbe Martens Olson & Bear LLP

(73) Assignee: **Broadley-James Corporation**, Irvine, CA (US)

(57) **CLAIM**

(\*\*) Term: **15 Years**

The ornamental design for a cycle count instrument, as shown and described.

(21) Appl. No.: **29/539,296**

**DESCRIPTION**

(22) Filed: **Sep. 11, 2015**

(51) **LOC (10) Cl.** ..... **10-04**

(52) **U.S. Cl.**  
USPC ..... **D10/97**

(58) **Field of Classification Search**  
USPC ..... D10/97  
CPC ..... A61L 2/26; A61L 2/28; A61B 18/14;  
A61B 2018/00989; A61B 2018/00178;  
G01N 27/72; G01R 33/12  
See application file for complete search history.

FIG. 1 is a perspective view of the cycle count instrument in accordance with the present invention.

FIG. 2 is a front view of the cycle count instrument in accordance with the present invention.

FIG. 3 is a rear view of the cycle count instrument of FIG. 1.

FIG. 4 is a left side view of the cycle count instrument of FIG. 1.

FIG. 5 is a right side view of the cycle count instrument of FIG. 1.

FIG. 6 is a top view of the cycle count instrument of FIG. 1; and,

FIG. 7 is a bottom view of the cycle count instrument of FIG. 1.

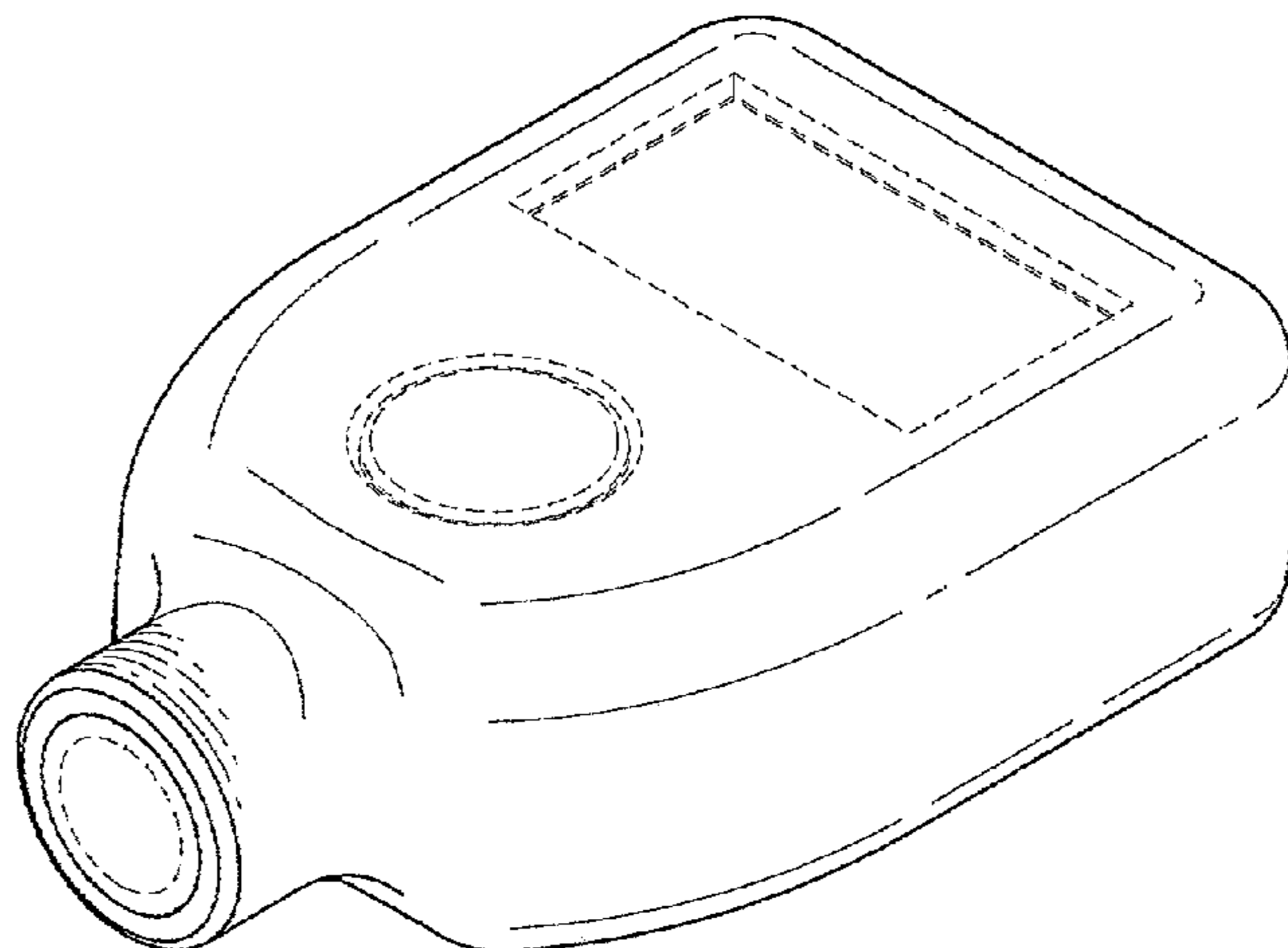
Broken lines are used for illustrative purposes only and form no part of the claimed design.

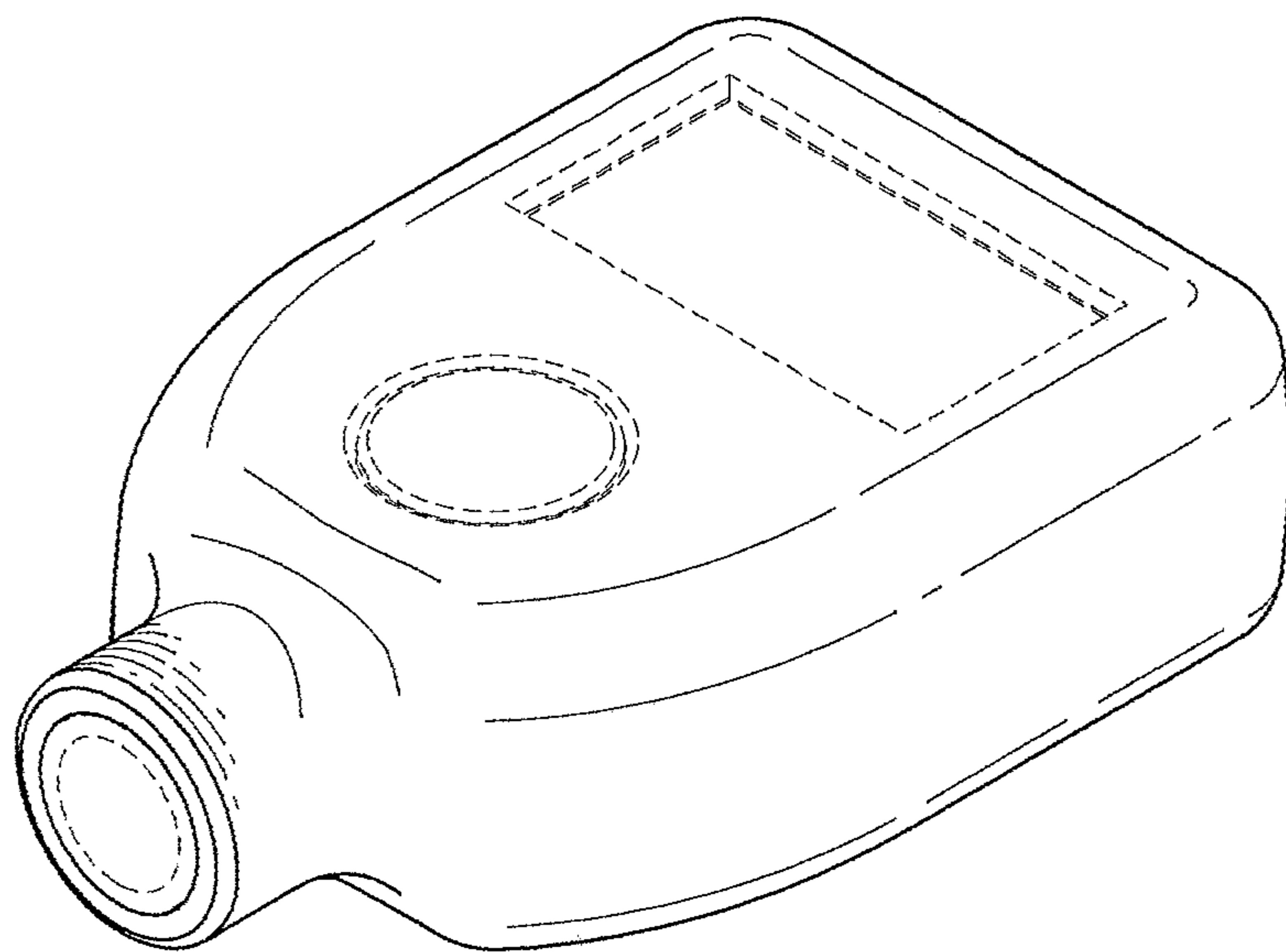
(56) **References Cited**

U.S. PATENT DOCUMENTS

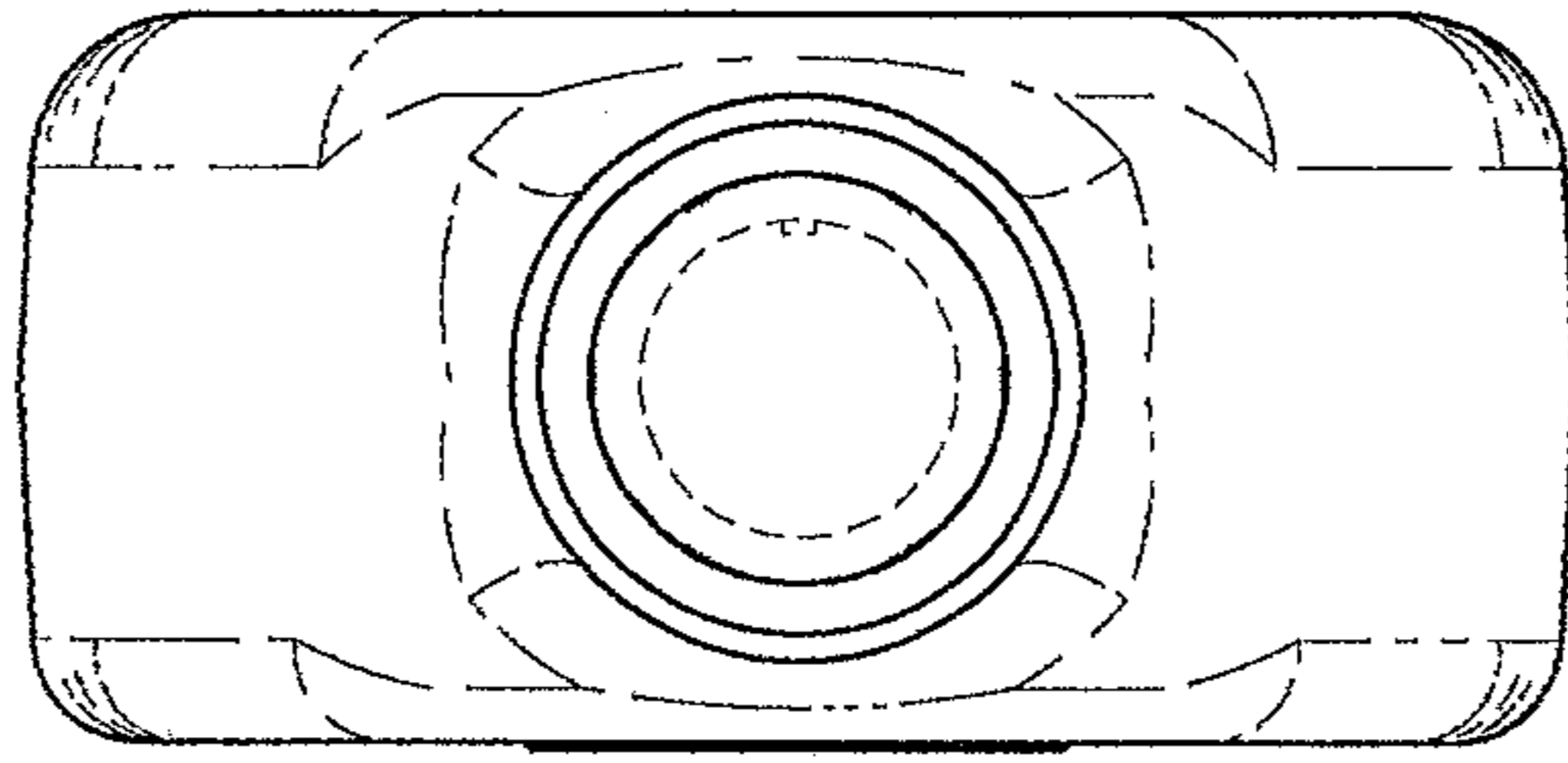
6,166,538 A 12/2000 D'Alfonso  
6,295,330 B1 9/2001 Skog  
D682,718 S \* 5/2013 Azuma ..... D10/70  
2011/0034910 A1 2/2011 Ross

**1 Claim, 5 Drawing Sheets**

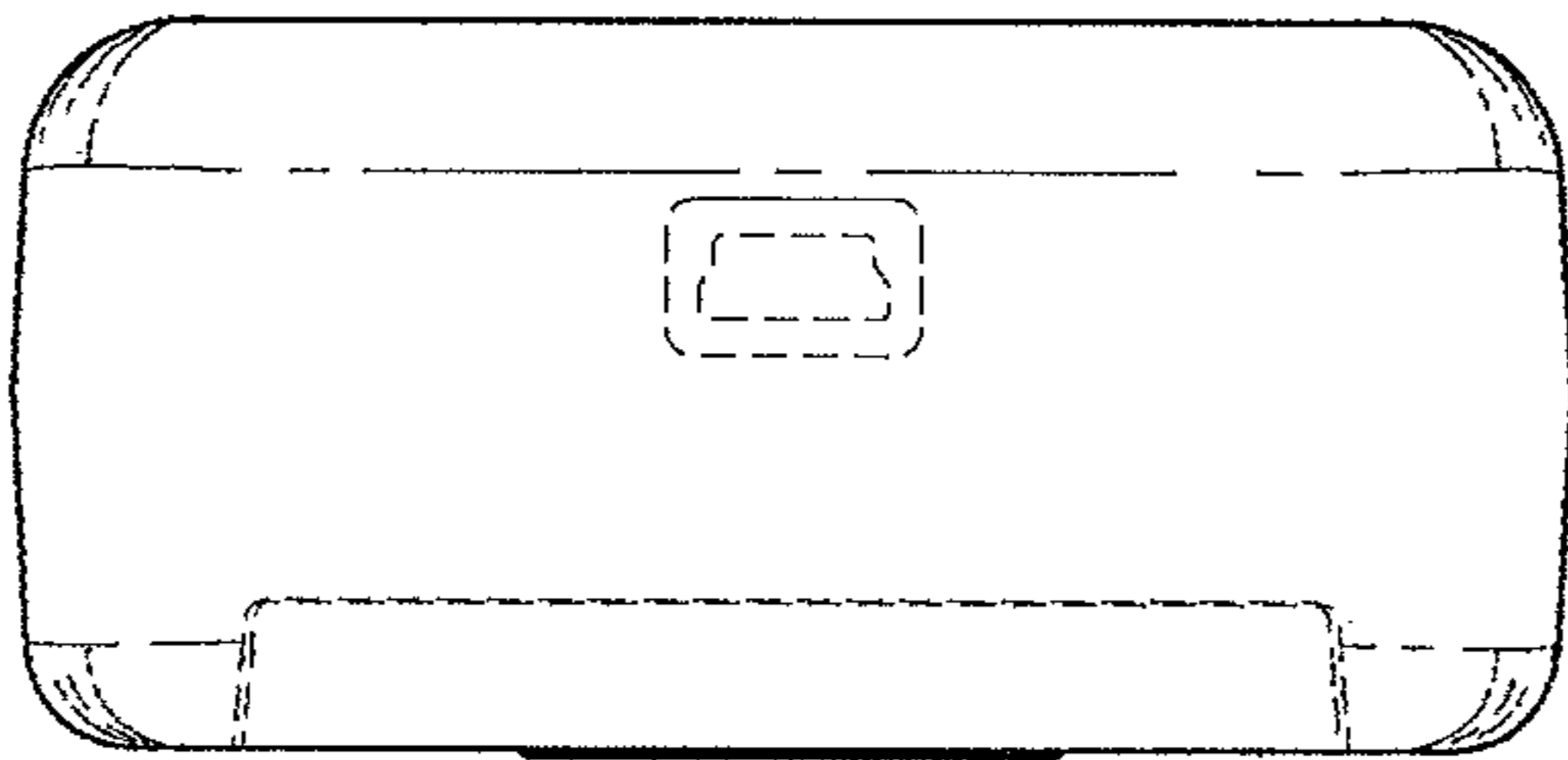




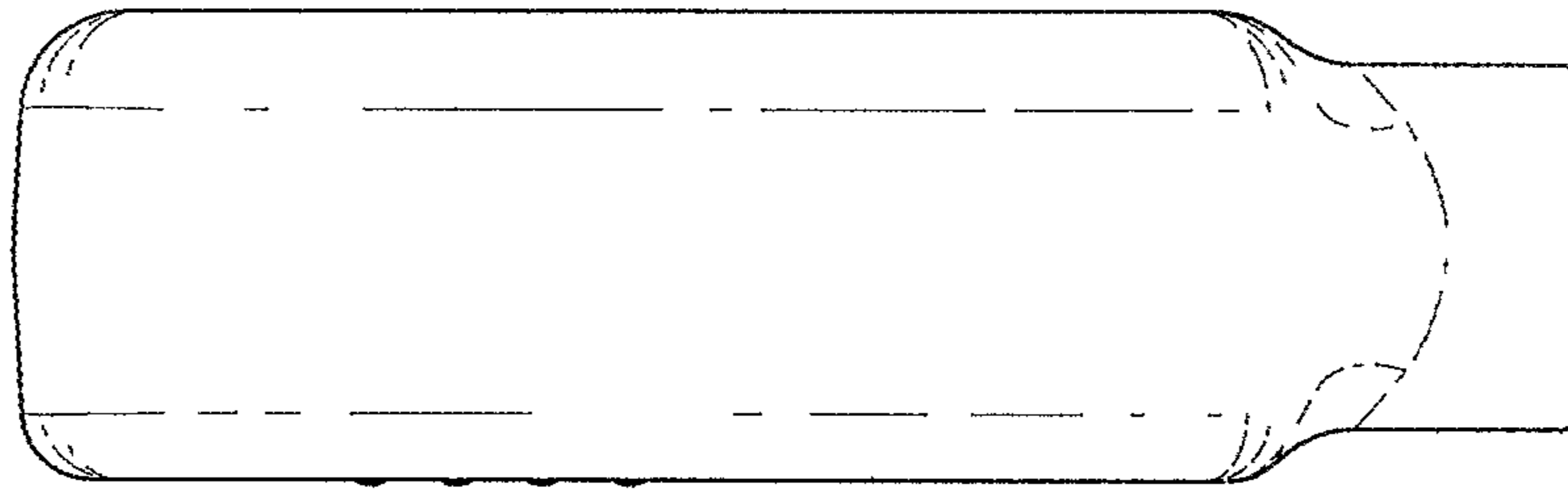
*FIG. 1*



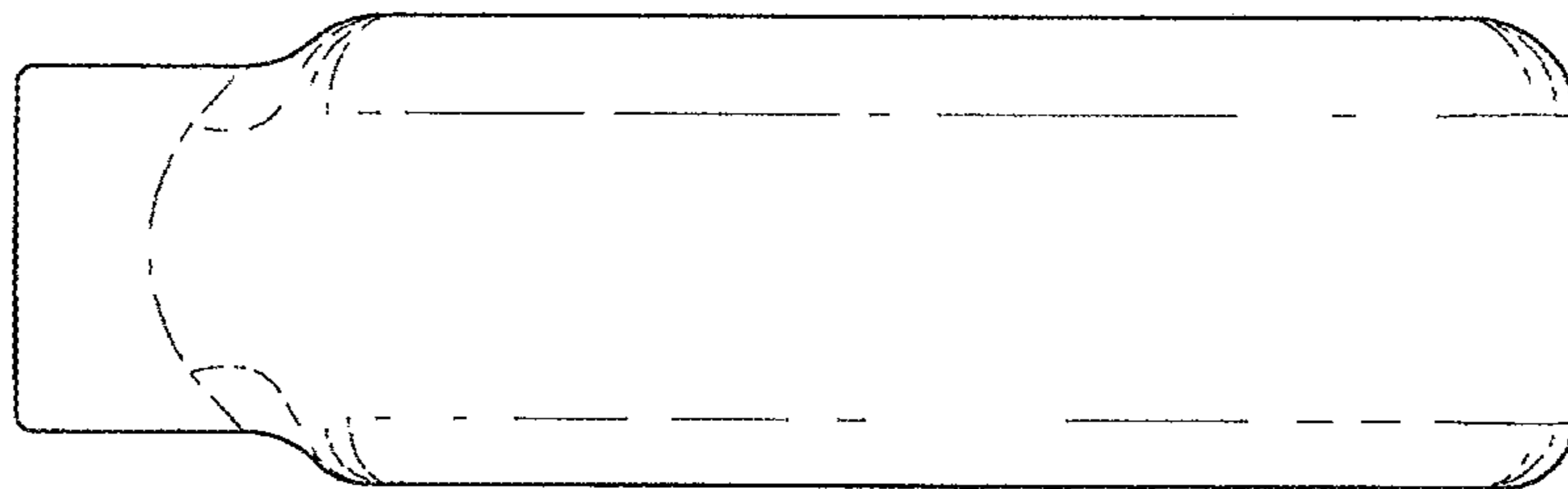
*FIG. 2*



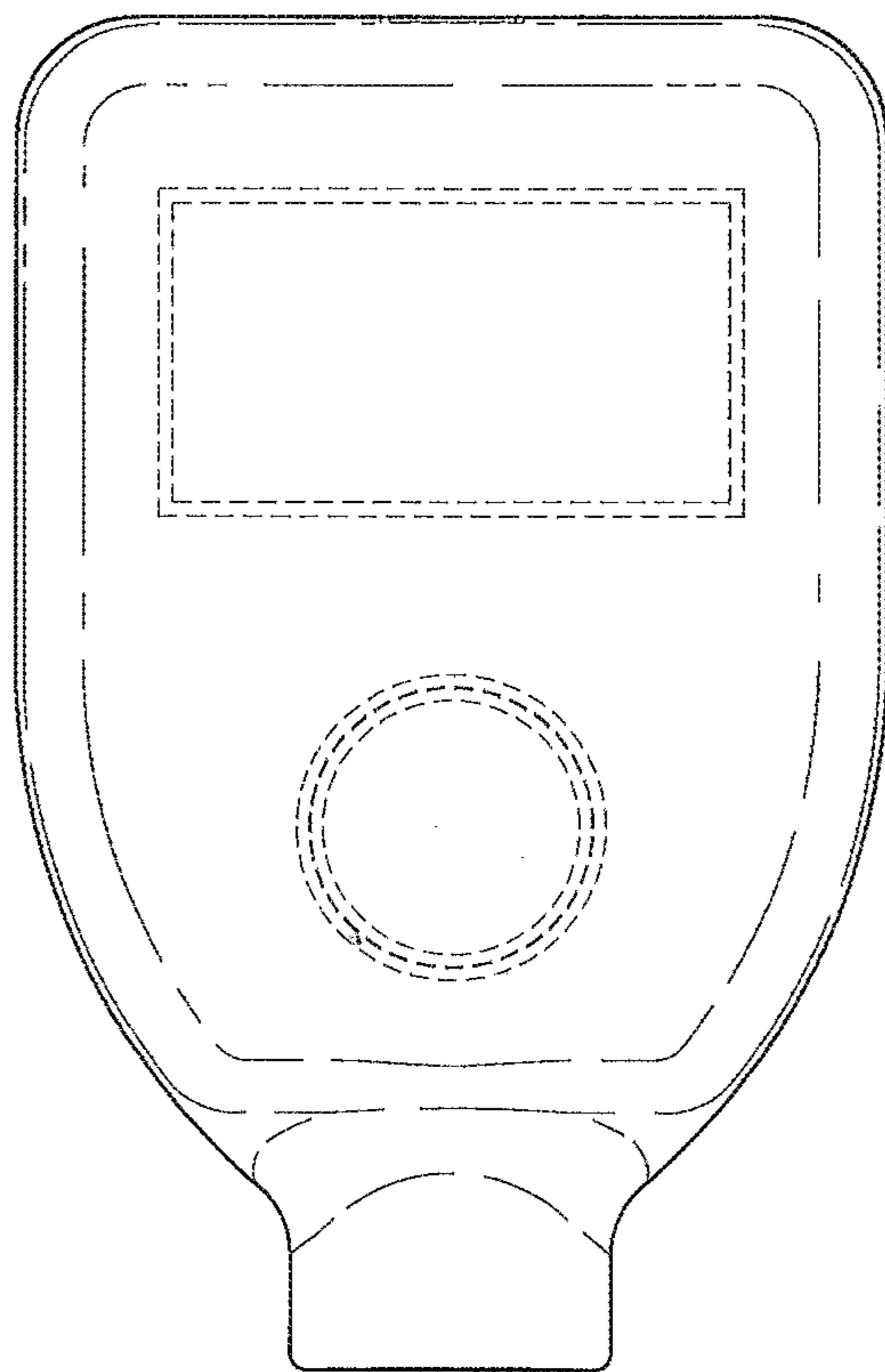
*FIG. 3*



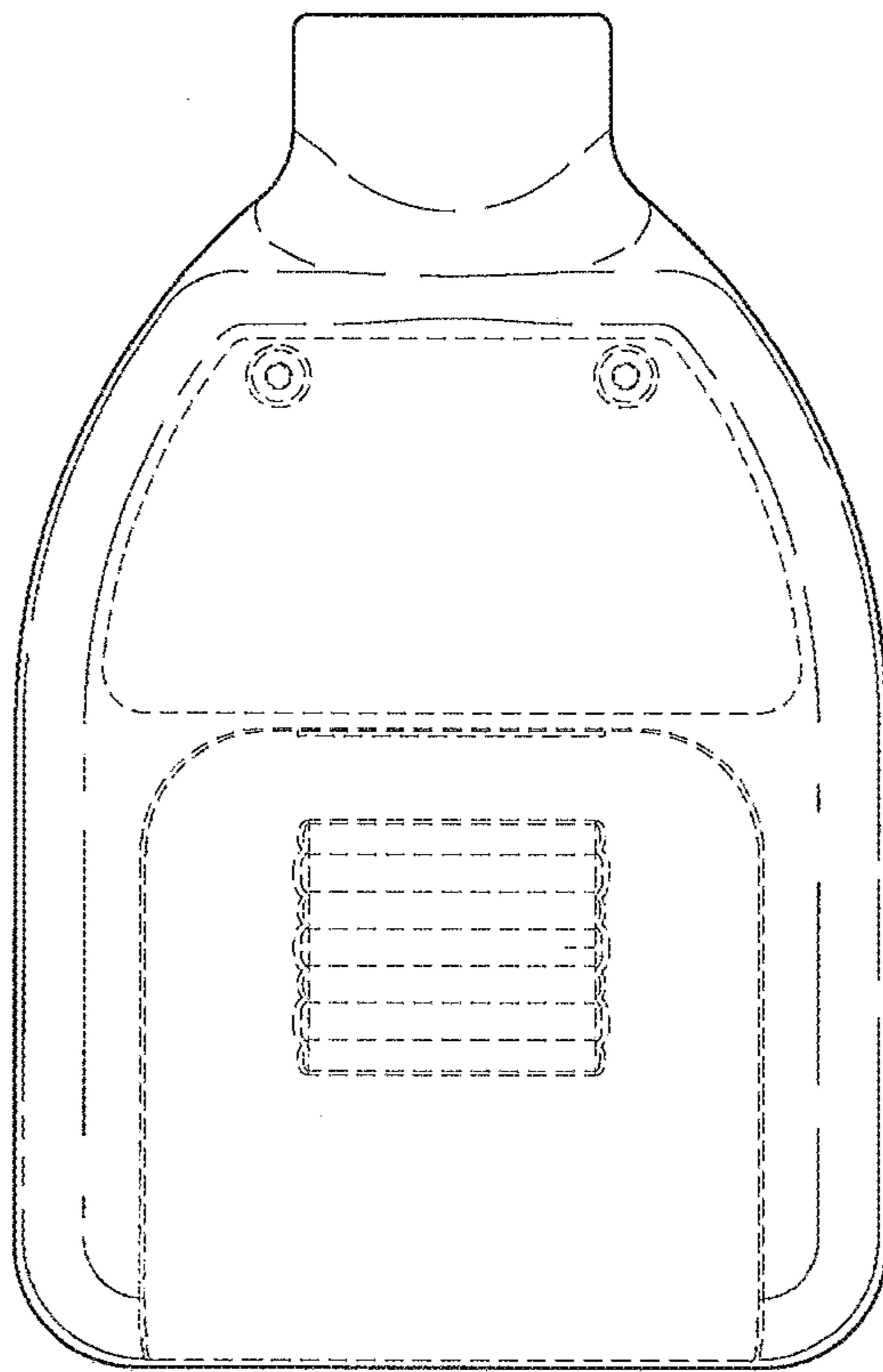
*FIG. 4*



*FIG. 5*



*FIG. 6*



*FIG. 7*