



US00D774929S

(12) **United States Design Patent**
Pan

(10) **Patent No.:** **US D774,929 S**

(45) **Date of Patent:** **** Dec. 27, 2016**

(54) **WEIGHING SCALE**

(71) Applicant: **Guangshe Pan**, Brea, CA (US)

(72) Inventor: **Guangshe Pan**, Brea, CA (US)

(**) Term: **15 Years**

(21) Appl. No.: **29/539,286**

(22) Filed: **Sep. 11, 2015**

(51) **LOC (10) Cl.** **10-04**

(52) **U.S. Cl.**

USPC **D10/92**; D10/91; D10/94

(58) **Field of Classification Search**

USPC D10/87, 88, 89, 90, 91, 92, 93, 94

CPC A61B 5/053; A61B 5/4872; A61B 5/0537;

A61B 5/4869; A61B 5/6825; A61B

5/6829; A61B 5/7445; G01G

19/44; G01G 19/445; G01G 19/46; G01G

19/48; G01G 19/50; G01G 21/28; G01G

21/283; G01G 19/286; G01G 19/30

See application file for complete search history.

(56) **References Cited**

U.S. PATENT DOCUMENTS

D523,366 S * 6/2006 Ulrich D10/92

D587,152 S * 2/2009 Scholpp D10/92

D742,264 S * 11/2015 Pan D10/91

* cited by examiner

Primary Examiner — Antoine D Davis

(74) *Attorney, Agent, or Firm* — Tsz Lung Yeung

(57) **CLAIM**

The ornamental design for a weighing scale, substantially as shown and described.

DESCRIPTION

FIG. 1 is a perspective view of a weighing scale showing my new design.

FIG. 2 is a front end view thereof.

FIG. 3 is a rear end view thereof.

FIG. 4 is a left side view thereof.

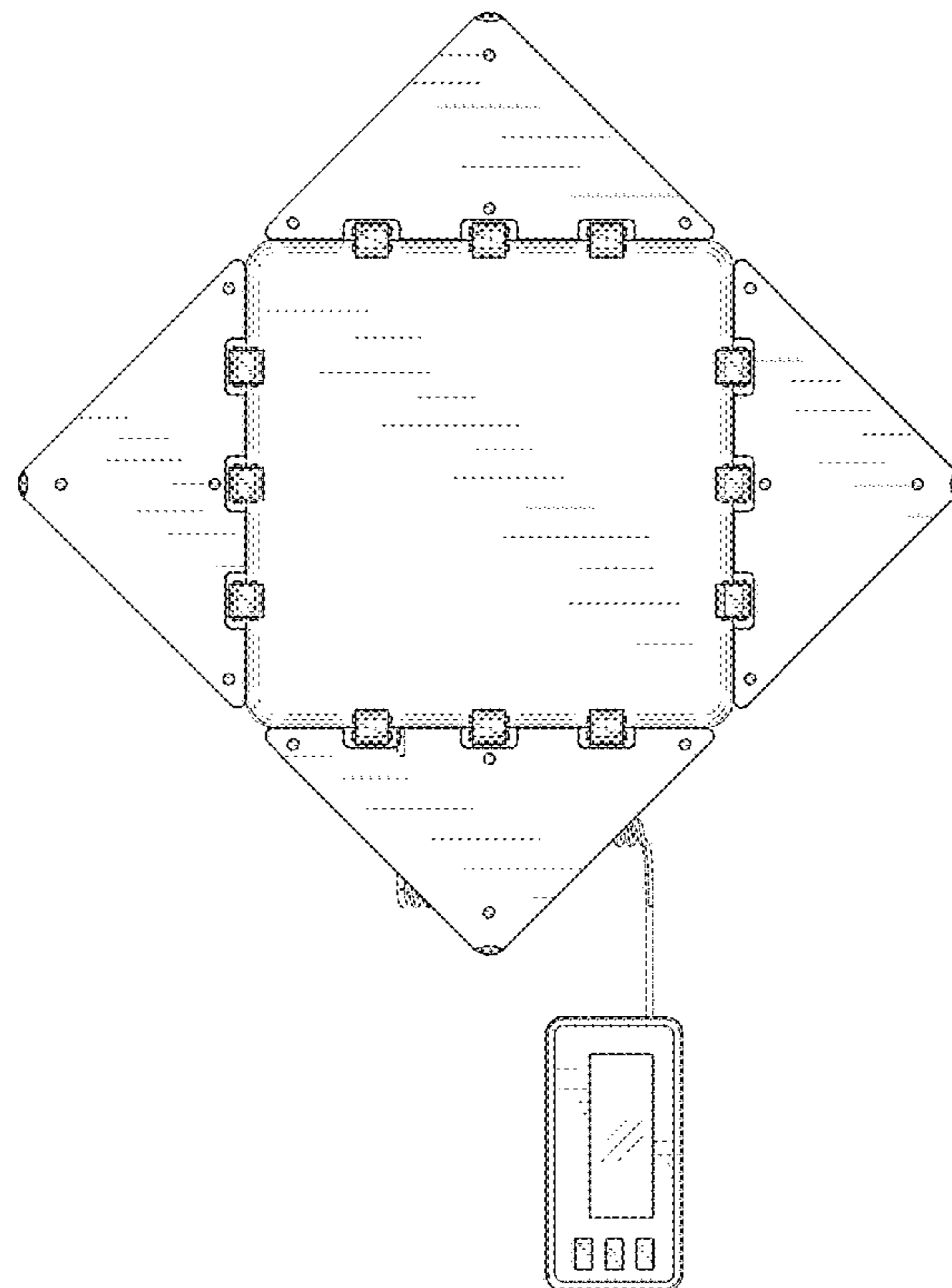
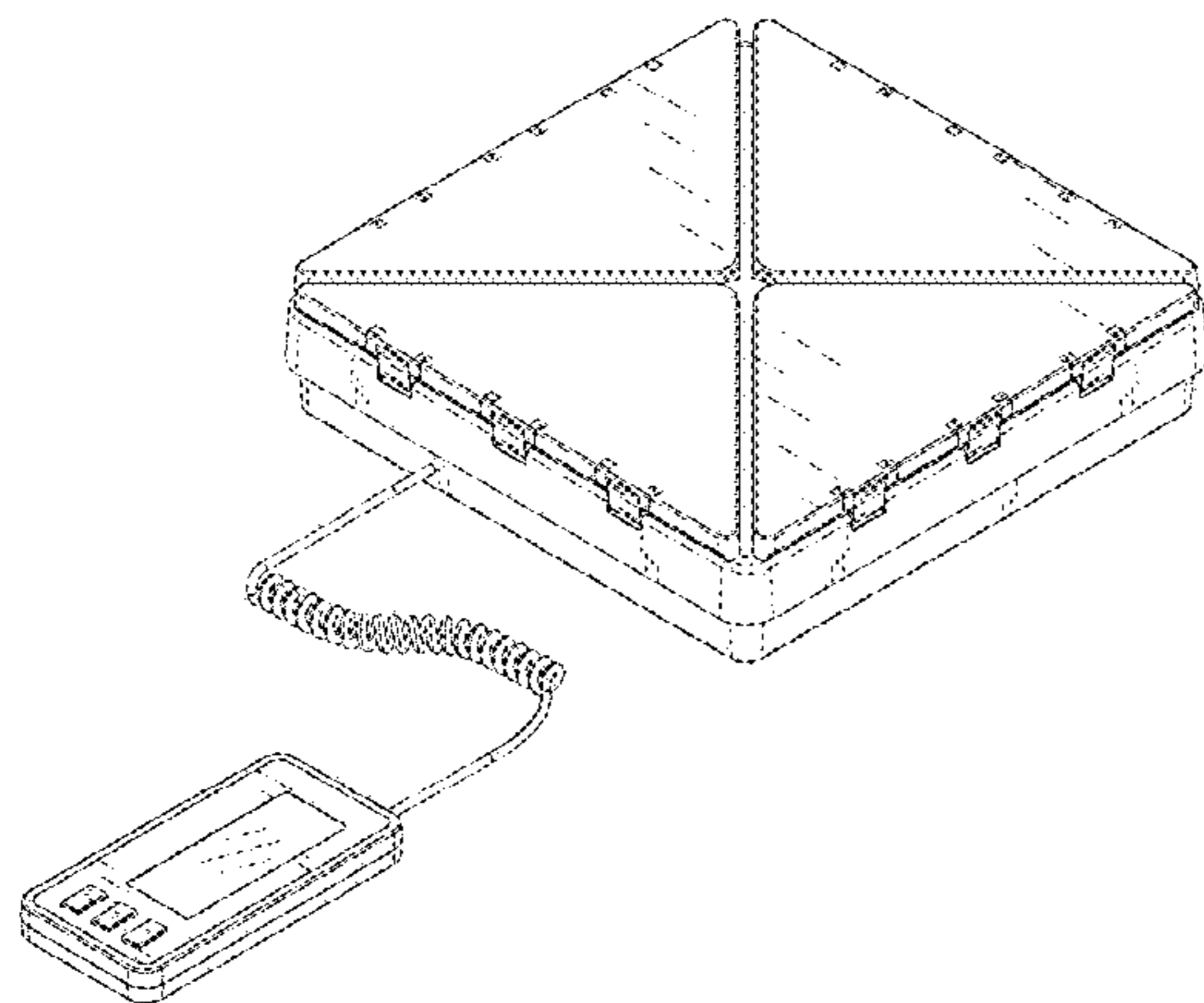
FIG. 5 is a right side view thereof.

FIG. 6 is a top view thereof.

FIG. 7 is a bottom view thereof; and,

FIG. 8 is a top view showing an open position of a weighing scale thereof.

1 Claim, 8 Drawing Sheets



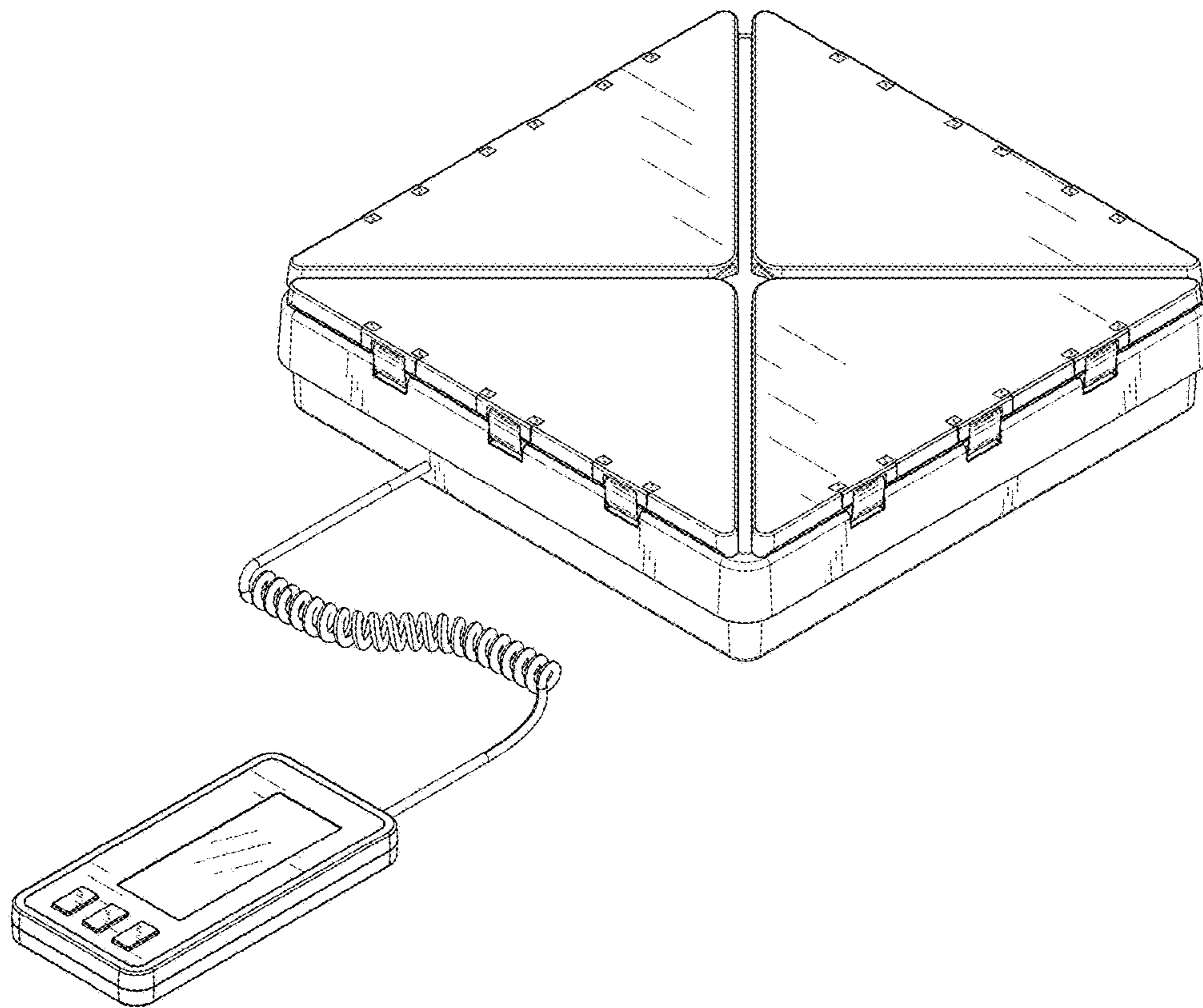


FIG.1

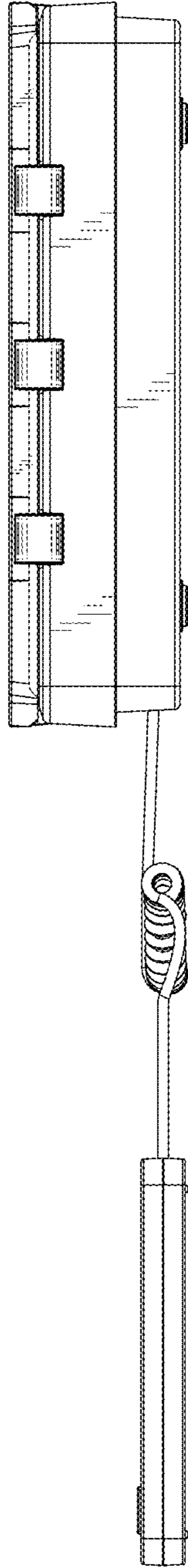


FIG.2

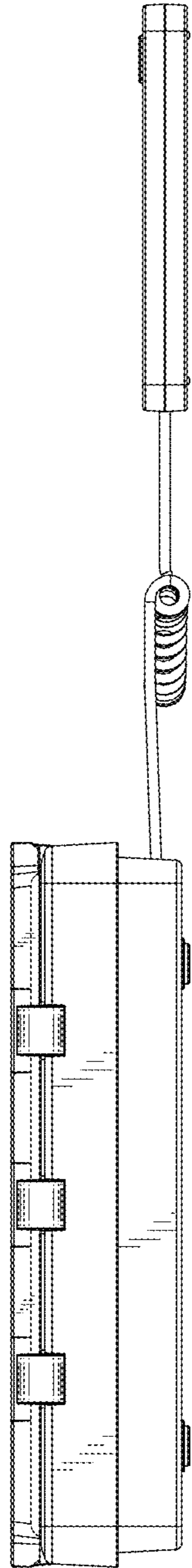


FIG. 3

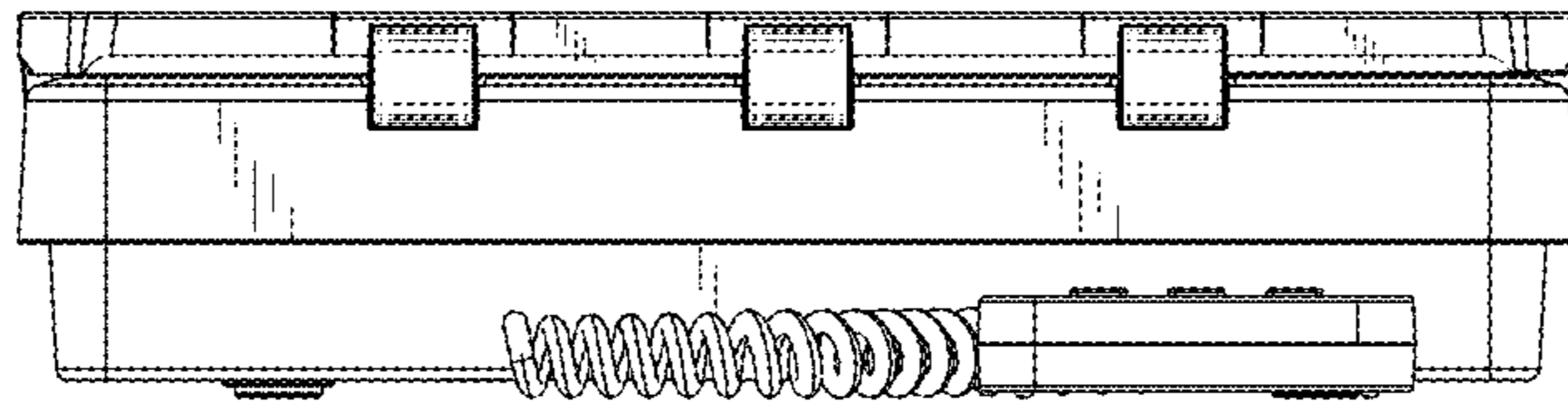


FIG.4

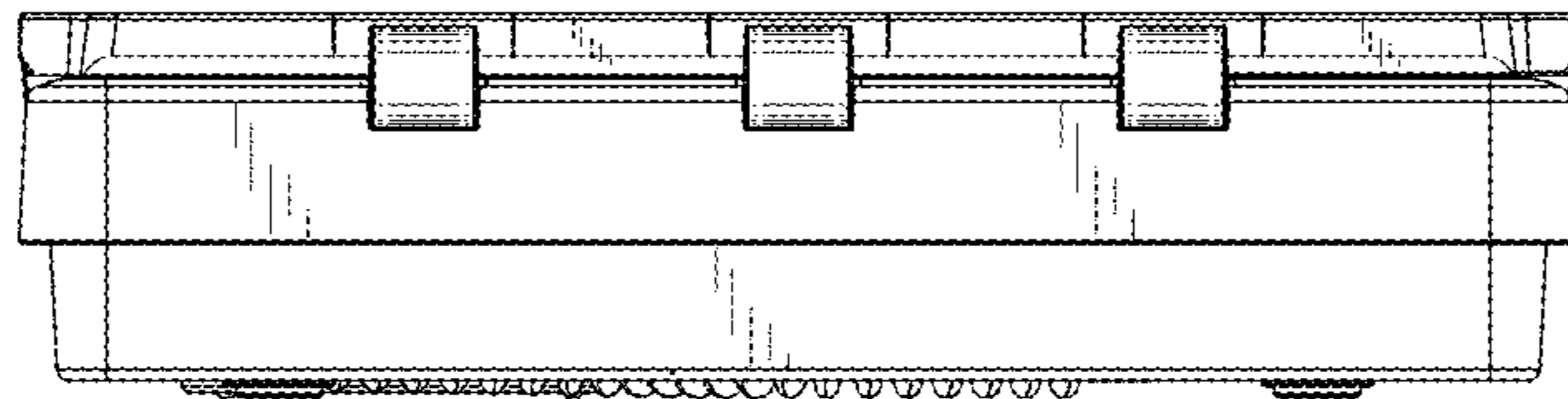


FIG.5

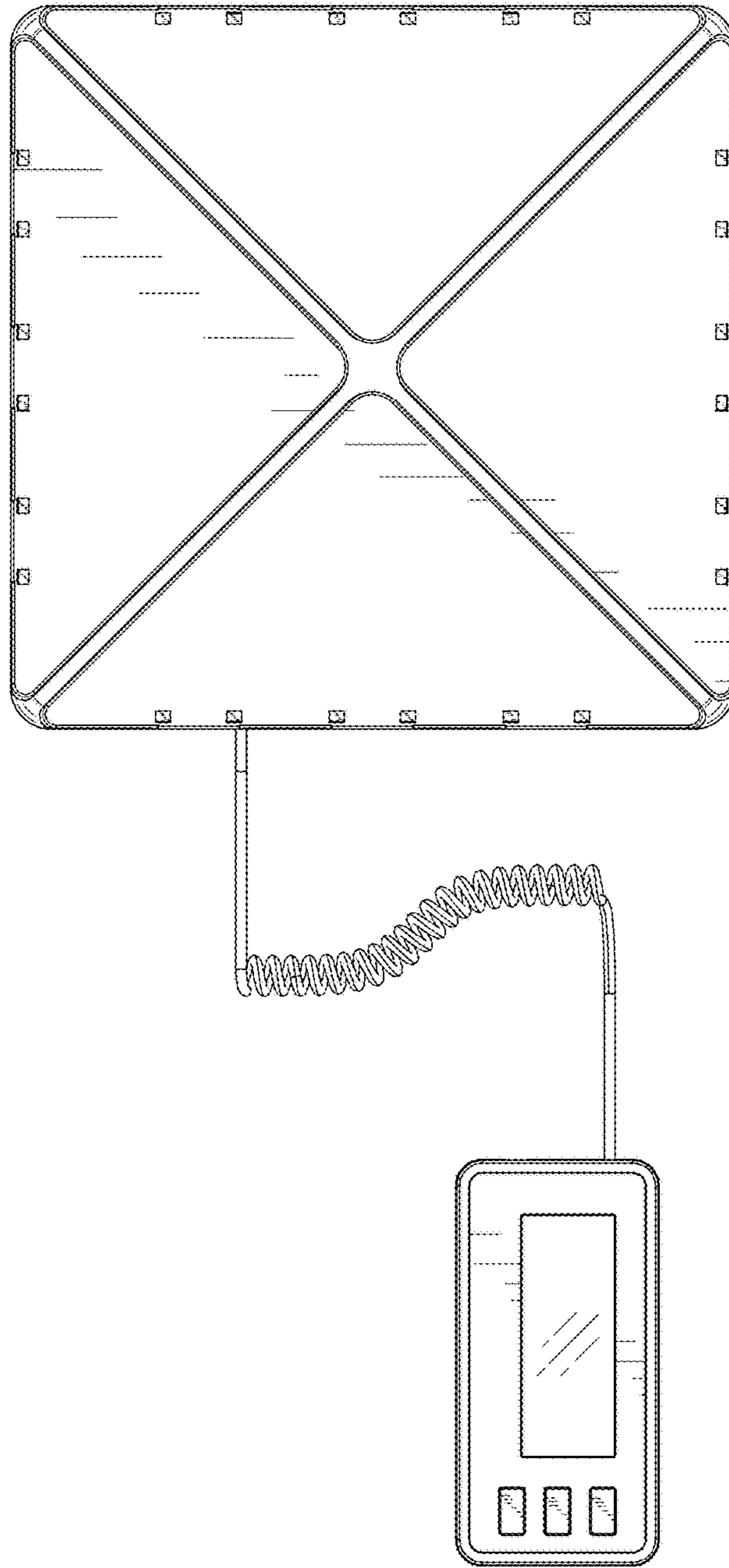


FIG.6

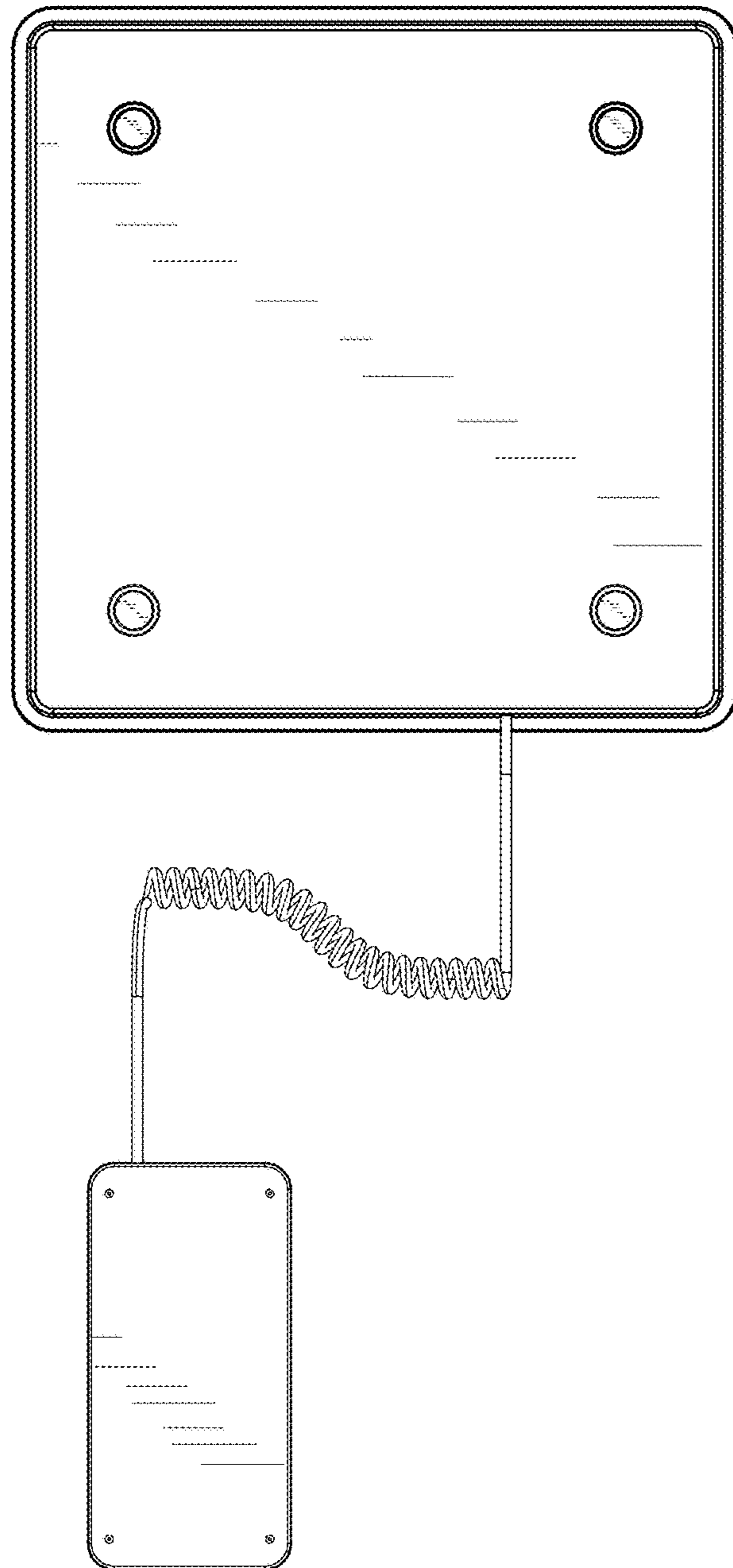


FIG.7

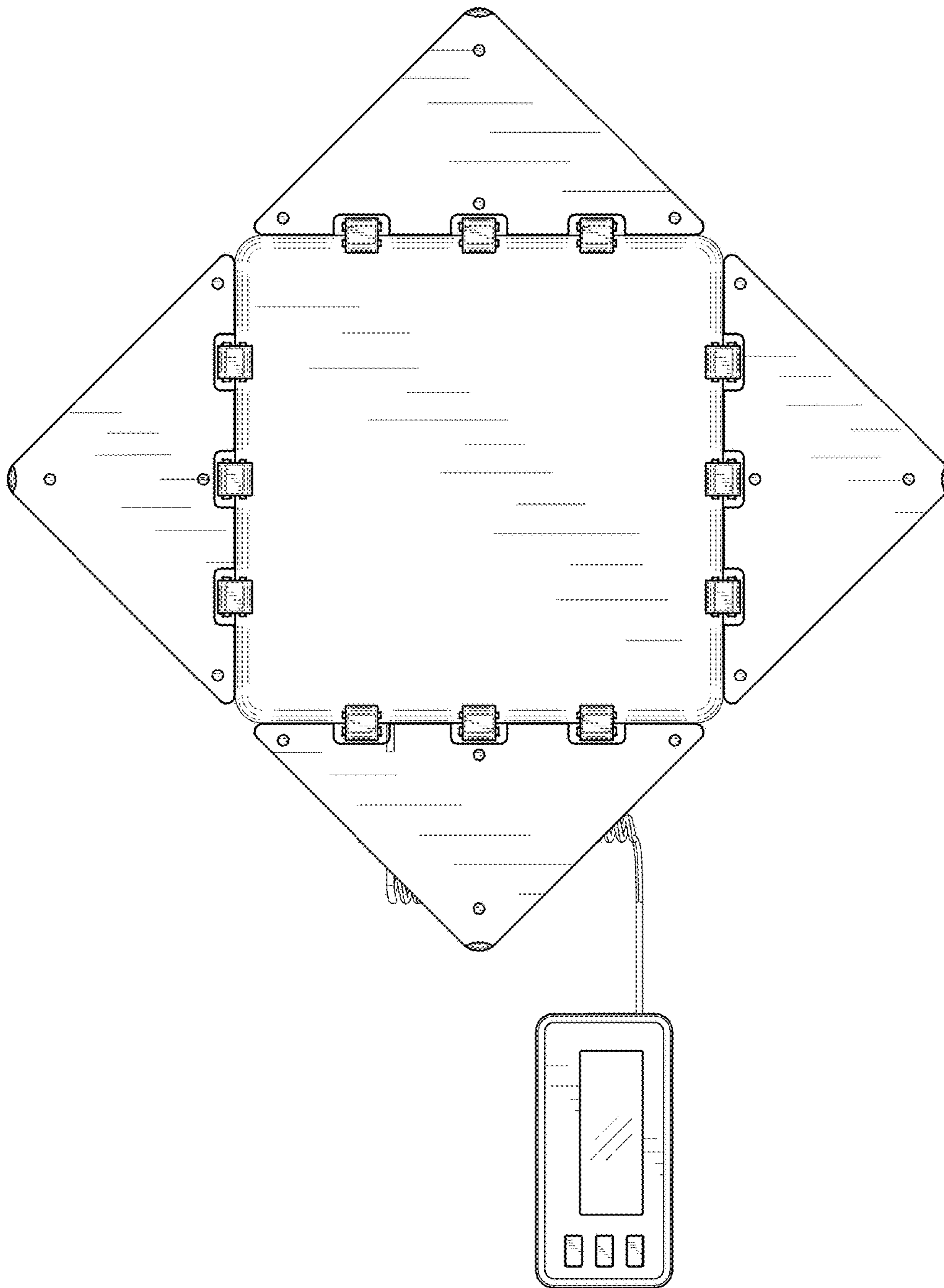


FIG.8