



US00D774926S

(12) **United States Design Patent** (10) **Patent No.:** **US D774,926 S**
Butler (45) **Date of Patent:** **** Dec. 27, 2016**

(54) **TIME-MEASURING INSTRUMENT**

(71) Applicant: **Gary Butler**, Cheshire (GB)

(72) Inventor: **Gary Butler**, Cheshire (GB)

(**) Term: **15 Years**

(21) Appl. No.: **29/532,321**

(22) Filed: **Jul. 6, 2015**

(51) **LOC (10) Cl.** **10-02**

(52) **U.S. Cl.**
USPC **D10/39; D10/38**

(58) **Field of Classification Search**
USPC D10/30-39, 1-29, 122-132; 368/10,
368/15-18, 21, 28, 37, 80, 223, 228, 232,
368/276, 277, 281, 282, 285, 294, 295,
368/308, 319
CPC G04B 17/00; G04B 17/02; G04B 17/005;
G04B 17/285; G04B 37/00; G04B
37/0008; G04B 37/0058; G04B
45/00; G04B 45/038; G04B
45/0069; G04B 45/0076; G04B 45/02;
G04B 29/00
See application file for complete search history.

D362,192 S 9/1995 Hitter
5,523,985 A 6/1996 Nixon
5,550,884 A 8/1996 Berney
D377,907 S 2/1997 Burgener
D406,783 S 3/1999 Giardiello
D415,043 S 10/1999 Fichter
D415,970 S 11/1999 Aellen
6,033,316 A 3/2000 Nixon
D459,236 S 6/2002 Haquet
6,724,691 B1 4/2004 Kaminsky
6,776,519 B2 8/2004 Eleuterio et al.
6,871,997 B2 3/2005 Hartmann et al.
D507,984 S 8/2005 Pibouleau

(Continued)

FOREIGN PATENT DOCUMENTS

CH 136765 3/2010
EM 001163265-0001 9/2009

(Continued)

Primary Examiner — Susan Bennett Hattan
Assistant Examiner — Jennifer Wright
(74) *Attorney, Agent, or Firm* — Norton Rose Fulbright
US LLP

(57) **CLAIM**

The ornamental designs for time-measuring instrument, as shown and described.

(56) **References Cited**

U.S. PATENT DOCUMENTS

2,761,198 A * 9/1956 Stern G04B 19/103
29/896.32
D183,488 S * 9/1958 Herwitt D10/1
D195,421 S 6/1963 Huguenin
3,271,445 A 9/1966 Bartholome et al.
3,271,945 A 9/1966 Anderson
D321,144 S 10/1991 Besson
D336,440 S 6/1993 Favre
5,216,641 A 6/1993 Hoel
D349,653 S 8/1994 Giardiello
5,386,990 A 2/1995 Smith

DESCRIPTION

FIG. 1 is a perspective view of my design for a time-measuring instrument;
FIG. 2 is a front orthogonal view of my design;
FIG. 3 is a right side orthogonal view of my design;
FIG. 4 is a left side orthogonal view of my design; and,
FIG. 5 is a bottom orthogonal view of my design, the top orthogonal view being a mirror image thereof.
The dashed lines in FIGS. 1-5 represent a wristband and form no part of the claimed design.

1 Claim, 5 Drawing Sheets



(56)

References Cited

U.S. PATENT DOCUMENTS

D520,384 S 5/2006 Scheufele
 D525,537 S 7/2006 Monachon
 D538,184 S 3/2007 Scheufele
 D543,886 S 6/2007 Pandel
 D567,677 S 4/2008 Finazzi
 D576,907 S 9/2008 Calvani
 D580,795 S 11/2008 Lalo
 7,505,374 B2 3/2009 Booty et al.
 D618,118 S 6/2010 Dolce et al.
 D640,144 S 6/2011 Tonohori
 D640,145 S 6/2011 Goto
 D640,146 S 6/2011 Tedeschi
 D656,416 S * 3/2012 Monachon D10/39
 D674,717 S 1/2013 Butler
 D684,486 S * 6/2013 Messmer D10/39
 D705,088 S * 5/2014 Emch D10/39
 8,982,676 B2 3/2015 Butler
 D726,055 S * 4/2015 Graff D10/126
 D733,583 S * 7/2015 Monachon D10/126
 D736,654 S * 8/2015 Monachon D10/126
 D736,655 S * 8/2015 Monachon D10/126

D746,714 S * 1/2016 Gueit D10/127
 D746,715 S * 1/2016 Gueit D10/127
 D746,716 S * 1/2016 Gueit D10/127
 D746,717 S * 1/2016 Cerrato D10/127
 D747,232 S * 1/2016 Gueit D10/127
 D747,233 S * 1/2016 Cerrato D10/127
 D749,448 S * 2/2016 Monachon D10/126
 2007/0147174 A1 6/2007 Jaermann et al.
 2008/0117723 A1* 5/2008 Hiranuma G04B 19/283
 368/294
 2015/0346691 A1* 12/2015 Tortora G04B 19/305
 368/238

FOREIGN PATENT DOCUMENTS

EM 001163265-0002 9/2009
 EM 001163265-0003 9/2009
 EM 001427843-0001 1/2015
 EM 001427843-0006 1/2015
 EM 001429781-0001 2/2015
 EM 001429781-0003 2/2015
 GB 2471701 1/2011
 WO WO2011/004193 1/2011

* cited by examiner



FIG. 1

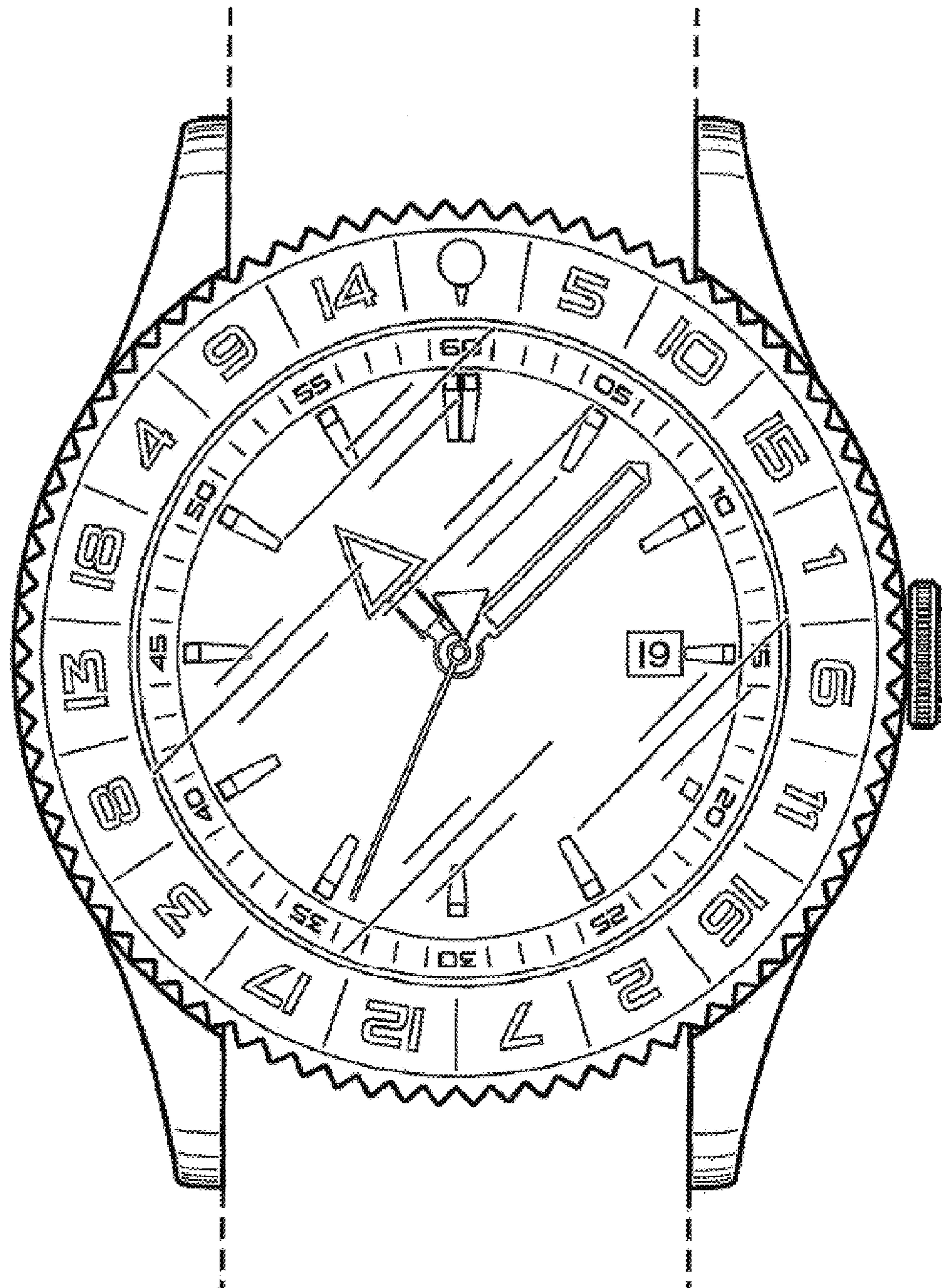


FIG. 2

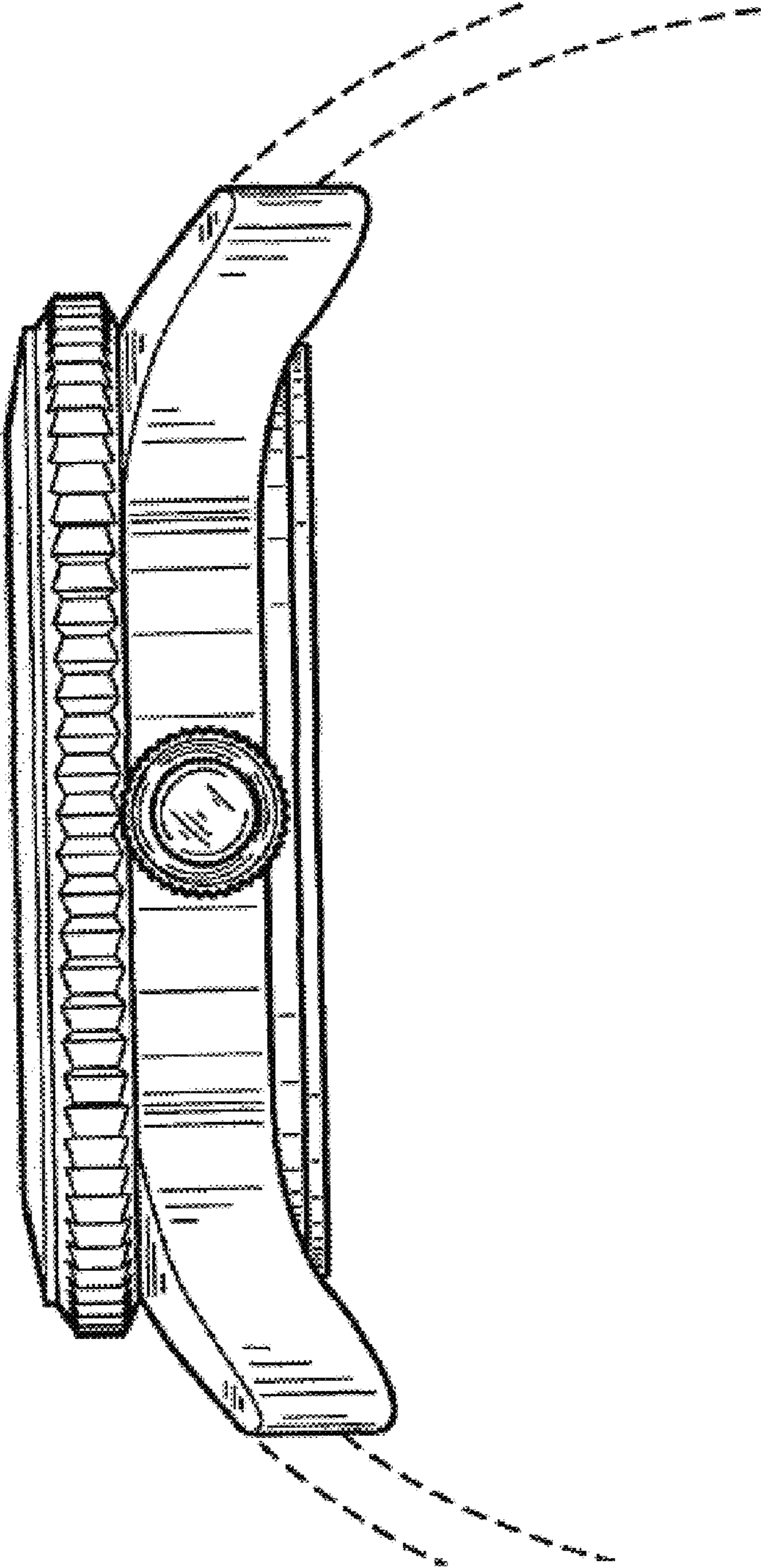


FIG. 3

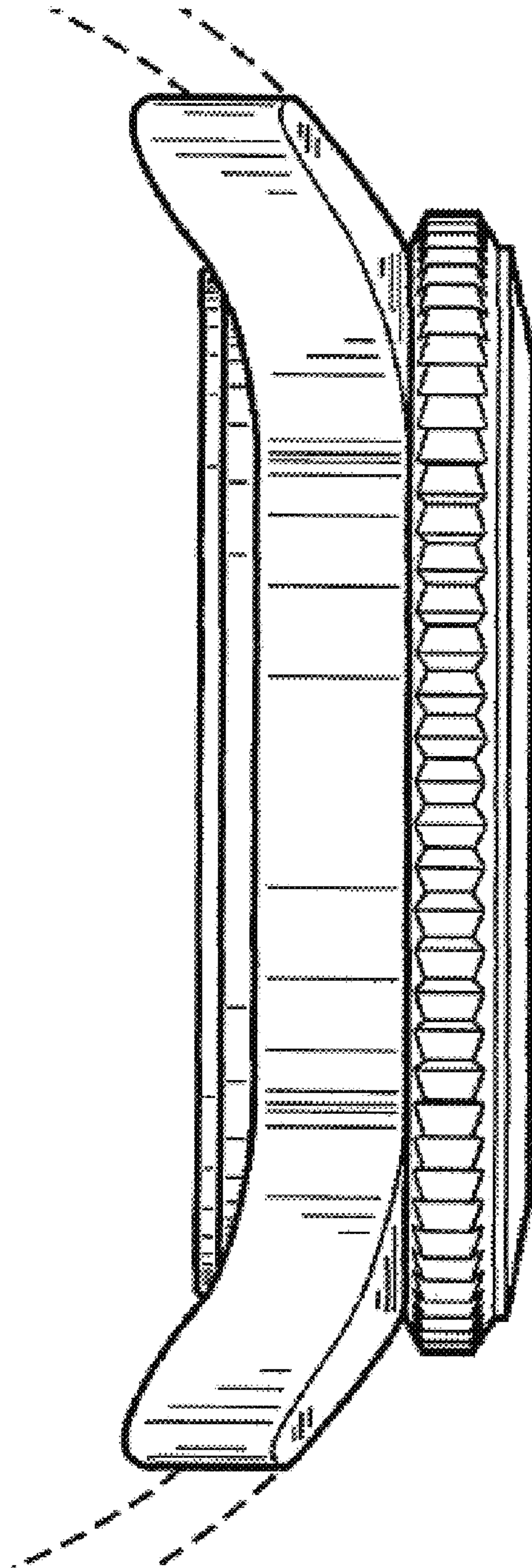


FIG. 4

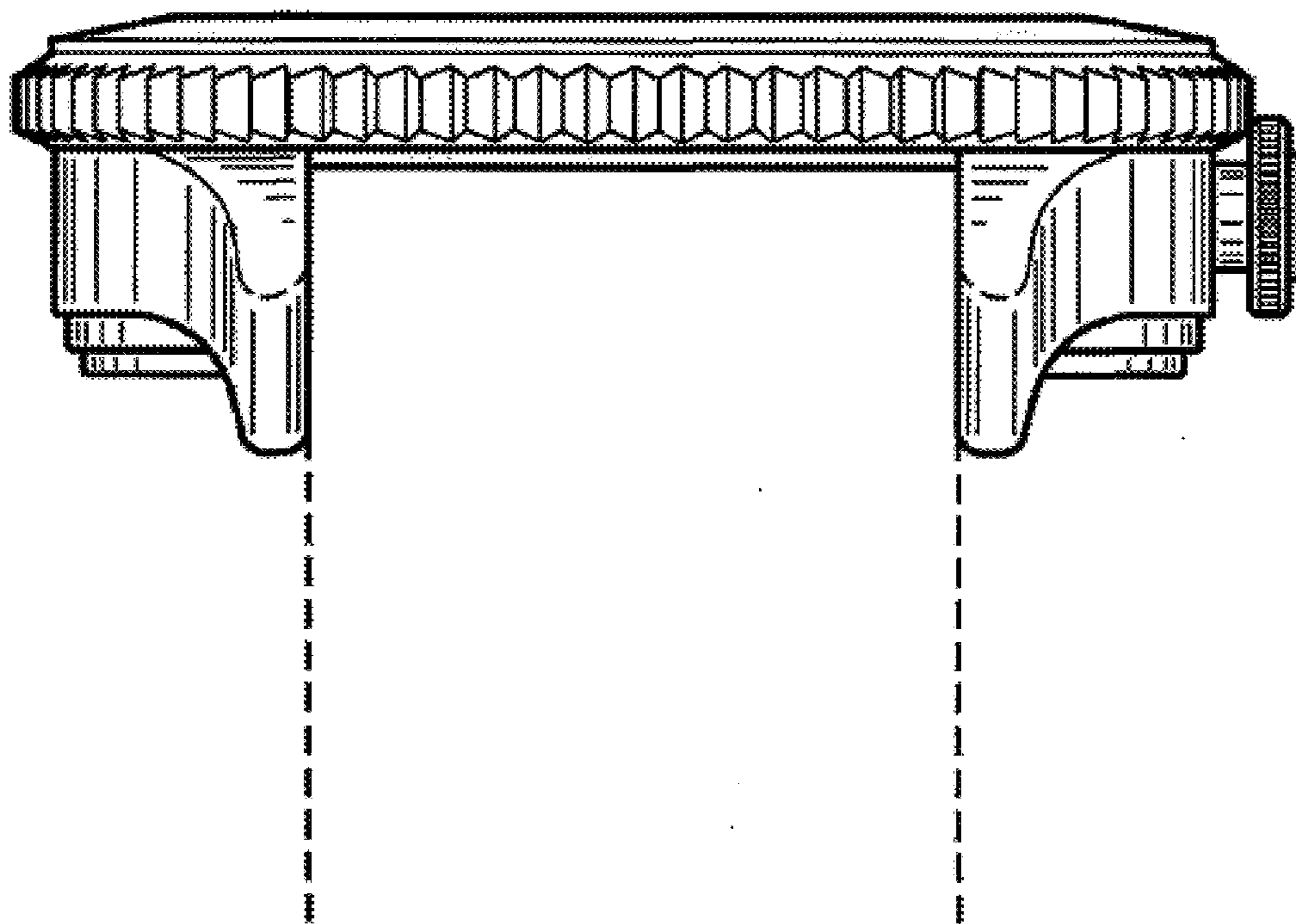


FIG. 5

UNITED STATES PATENT AND TRADEMARK OFFICE
CERTIFICATE OF CORRECTION

PATENT NO. : D774,926 S
APPLICATION NO. : 29/532321
DATED : December 27, 2016
INVENTOR(S) : Butler

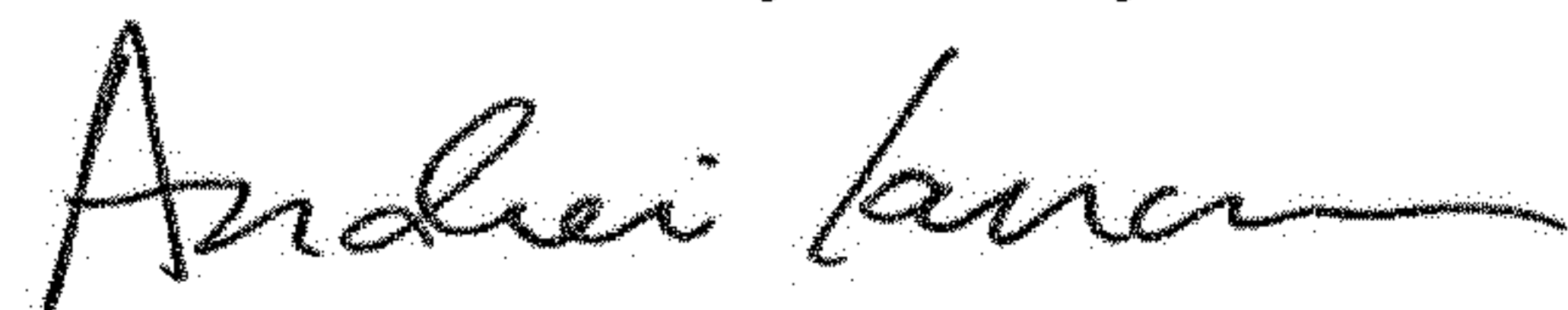
Page 1 of 1

It is certified that error appears in the above-identified patent and that said Letters Patent is hereby corrected as shown below:

Please add item (30) Foreign Application Priority Data, after item (22), as noted below:

| | |
|-------------------------|----------------|
| Jan. 1, 2015 (EM) | 001427843-0001 |
| Jan. 1, 2015 (EM) | 001427843-0002 |
| Jan. 1, 2015 (EM) | 001427843-0003 |
| Jan. 1, 2015 (EM) | 001427843-0004 |
| Jan. 1, 2015 (EM) | 001427843-0005 |
| Jan. 1, 2015 (EM) | 001427843-0006 |
| Feb. 6, 2015 (EM) | 001429781-0001 |
| Feb. 6, 2015 (EM) | 001429781-0002 |
| Feb. 6, 2015 (EM) | 001429781-0003 |

Signed and Sealed this
Sixteenth Day of July, 2019



Andrei Iancu
Director of the United States Patent and Trademark Office