



US00D774925S

(12) **United States Design Patent**  
**Berliat**

(10) **Patent No.:** **US D774,925 S**

(45) **Date of Patent:** **\*\* Dec. 27, 2016**

(54) **WATCHCASE**

(71) Applicant: **Mondaine Watch Ltd**, Pfaffikon SZ  
(CH)

(72) Inventor: **Jeannette Berliat**, St. Gallen (CH)

(73) Assignee: **MONDAINE WATCH LTD**, Pfaffikon  
SZ (CH)

(\*\*) Term: **14 Years**

(21) Appl. No.: **29/515,029**

(22) Filed: **Jan. 20, 2015**

(30) **Foreign Application Priority Data**

Jul. 18, 2014 (WO) ..... DM/084006

(51) **LOC (10) Cl.** ..... **10-02**

(52) **U.S. Cl.**  
USPC ..... **D10/38**

(58) **Field of Classification Search**  
USPC ..... D10/1-29, 30-39, 45, 122-132; D11/44;  
248/114; 224/165; 368/80, 223, 228, 276,  
368/281, 282, 288-290, 308, 319  
CPC ..... G04B 19/06; G04B 19/10; G04B 19/12;  
G04B 19/08; G04B 19/103; G04B 19/106;  
G04B 47/042; G04G 9/087  
See application file for complete search history.

(56) **References Cited**

**U.S. PATENT DOCUMENTS**

D247,741 S *	4/1978	Danz	.....	D10/23
D270,523 S *	9/1983	Mox	.....	D10/22
D326,416 S *	5/1992	Sugano	.....	D10/126
D354,010 S *	1/1995	Pistilli	.....	D10/24
6,031,791 A *	2/2000	Thoni	.....	G04B 19/10 368/223
D552,492 S *	10/2007	Wang	.....	D10/38
D559,125 S *	1/2008	Figueiredo	.....	D10/38
D617,213 S *	6/2010	Dolce	.....	D10/38

D624,443 S *	9/2010	Cerrato	.....	D10/38
D630,531 S *	1/2011	Nunes	.....	D10/38
D645,361 S *	9/2011	Parmigiani	.....	D10/38
D649,890 S *	12/2011	Favre	.....	G04F 8/006 368/228
D656,044 S *	3/2012	Favre	.....	D10/30
D656,414 S *	3/2012	Parmigiani	.....	D10/38
D659,554 S *	5/2012	Yurman	.....	D10/30
D678,081 S *	3/2013	Cabiddu	.....	D10/38
8,964,513 B2 *	2/2015	Derriey	.....	G04C 10/02 D10/38
D748,501 S *	2/2016	Cerrato	.....	G04B 37/0008 368/281
D750,505 S *	3/2016	Cerrato	.....	C03C 17/04 368/232

(Continued)

**OTHER PUBLICATIONS**

Design Museum Shop [online] Retrieved on May 9, 2016 from  
URL: [http://designmuseumshop.com/products/mondaine-helvetica-no-1-regular-wristwatch-with-40mm-case.\\*](http://designmuseumshop.com/products/mondaine-helvetica-no-1-regular-wristwatch-with-40mm-case.*)

*Primary Examiner* — Manpreet Matharu

*Assistant Examiner* — Keith Wilson

(74) *Attorney, Agent, or Firm* — Frommer Lawrence &  
Haug LLP

(57) **CLAIM**

The ornamental design for a watchcase, as shown and  
described.

**DESCRIPTION**

FIG. 1: a perspective view of the watchcase according to my  
invention;

FIG. 2: a front side view thereof,

FIG. 3: a rear side view thereof,

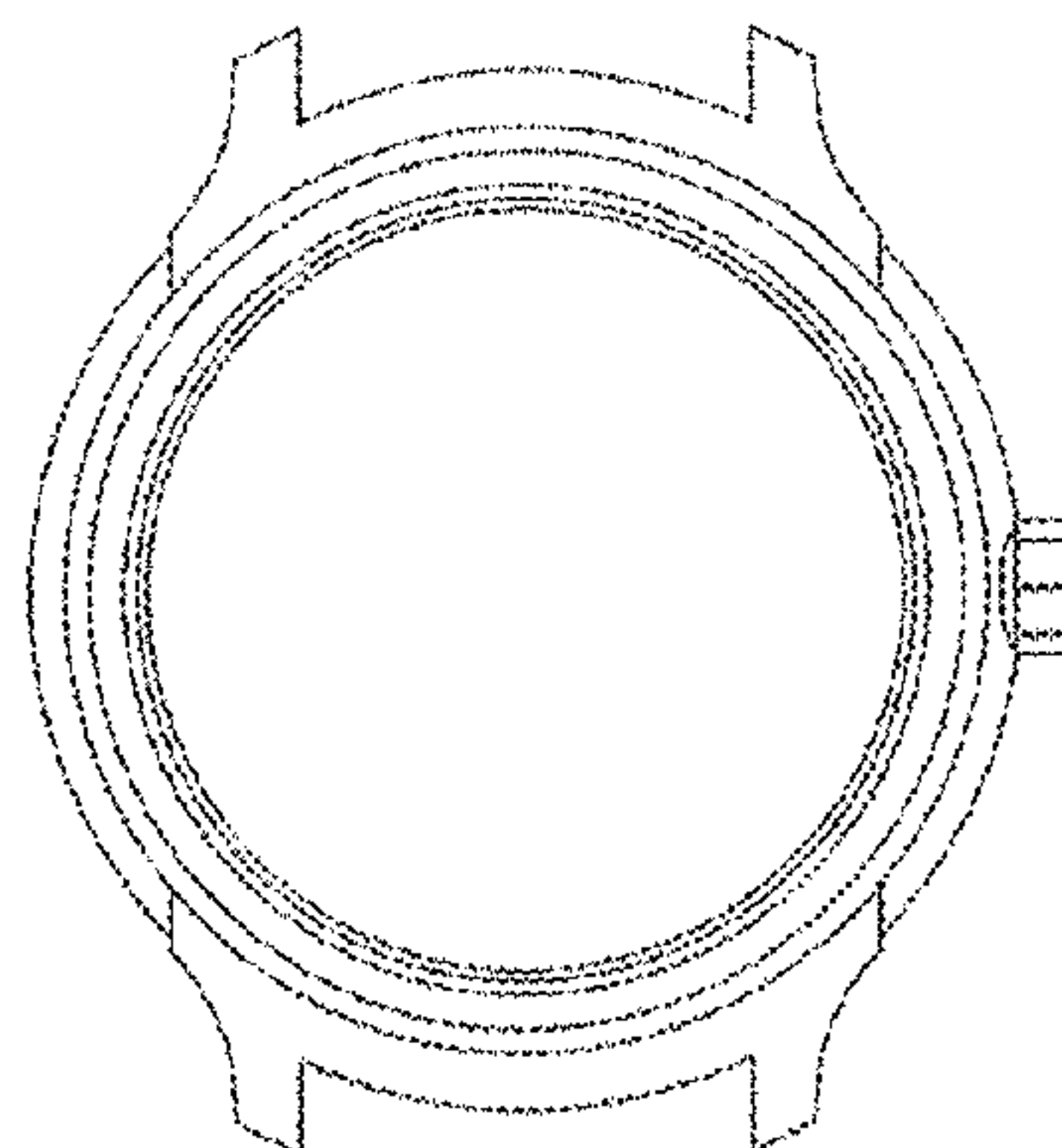
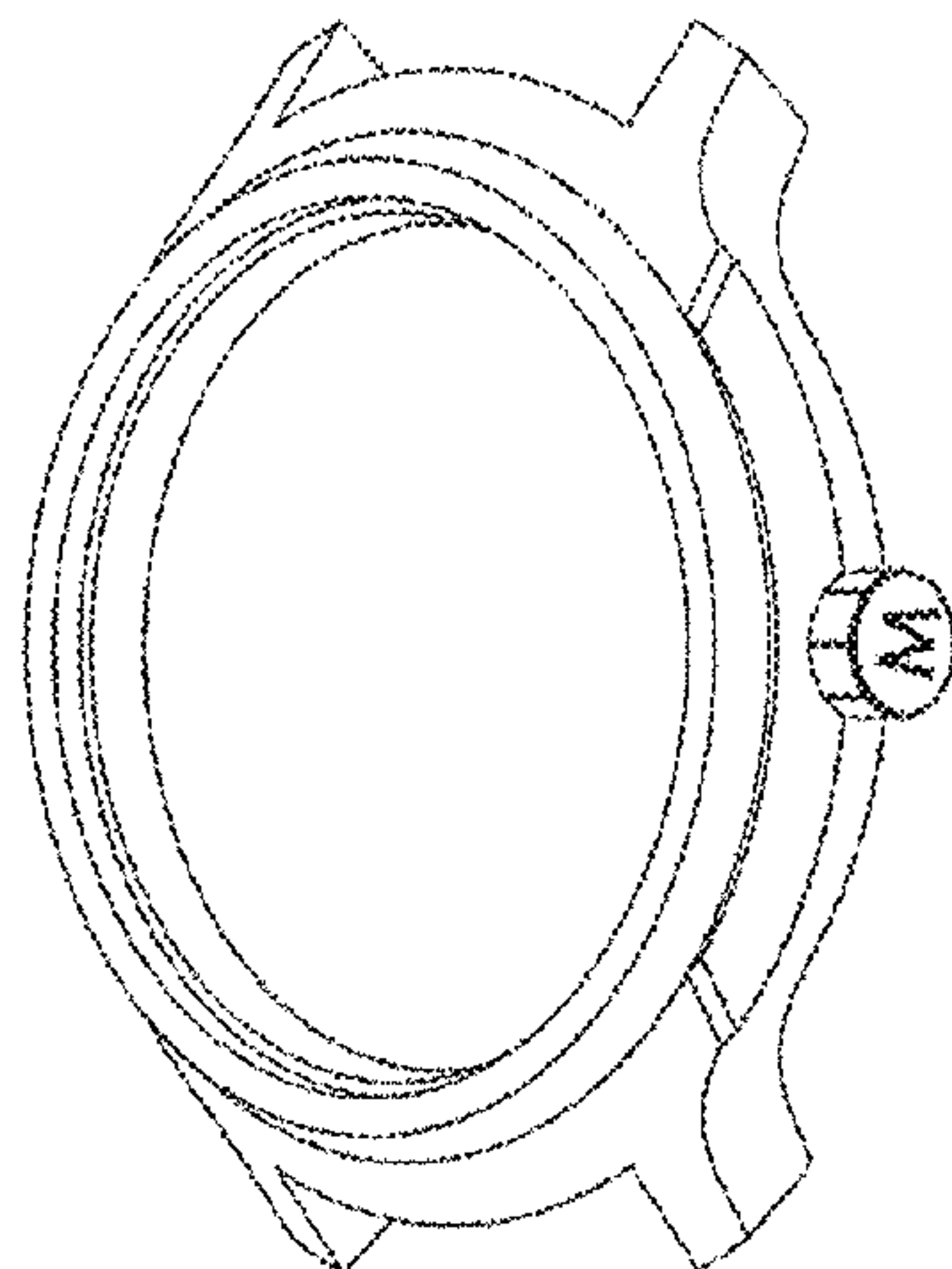
FIG. 4: a right side view thereof,

FIG. 5: a top plan view thereof,

FIG. 6: a left side view thereof; and,

FIG. 7: a bottom plan view thereof.

**1 Claim, 3 Drawing Sheets**



(56)

**References Cited**

U.S. PATENT DOCUMENTS

2005/0083788	A1 *	4/2005	Ogletree .....	A44C 5/0069 368/282
2011/0085424	A1 *	4/2011	El Kadiri .....	G04B 3/043 368/288
2013/0094333	A1 *	4/2013	Ito .....	G04C 10/02 D10/38
2013/0155821	A1 *	6/2013	Tsuji .....	G04C 10/02 D10/32
2015/0117165	A1 *	4/2015	Stotz .....	G04C 10/02 368/239

\* cited by examiner

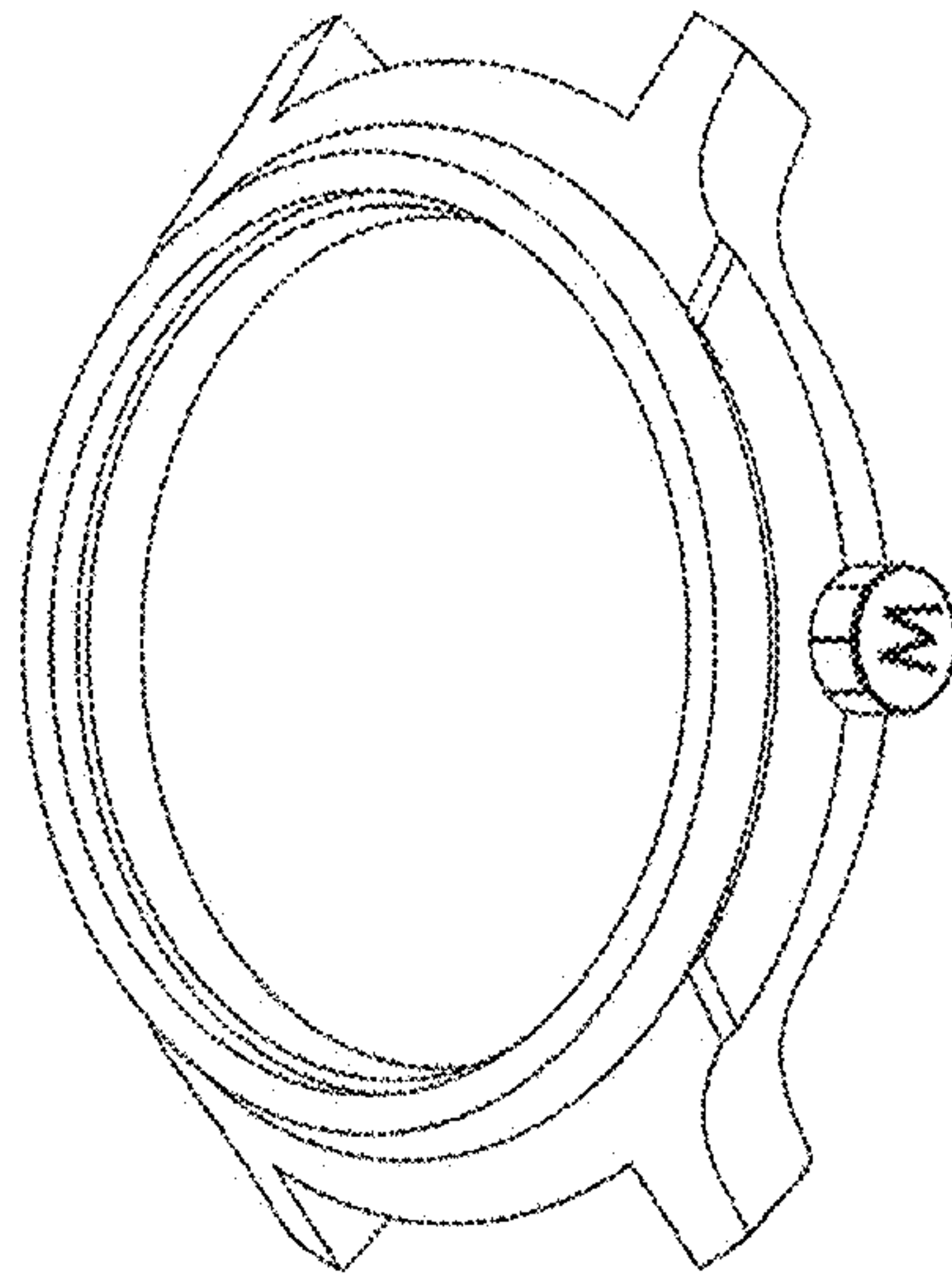


FIG. 1

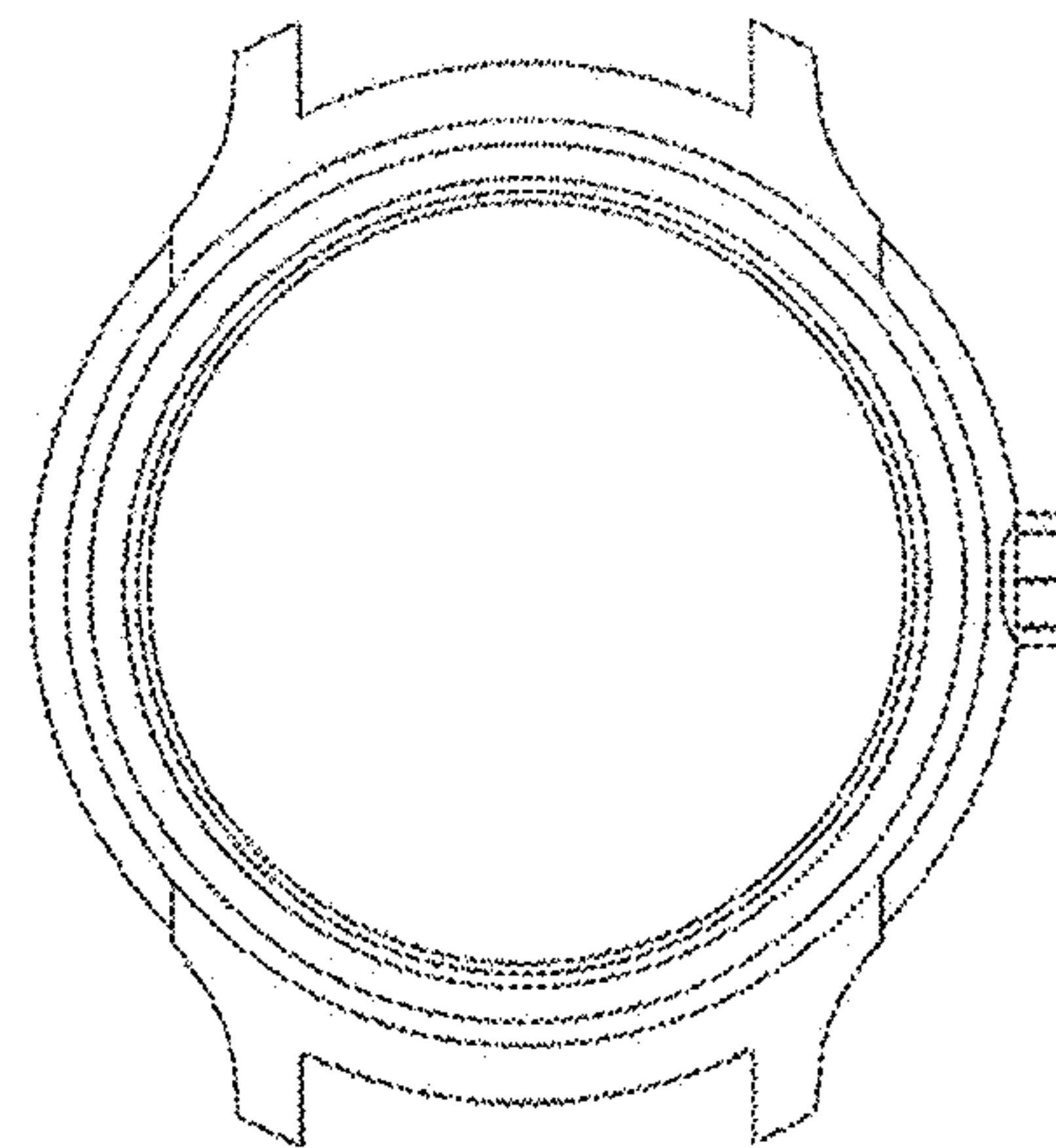


FIG. 2

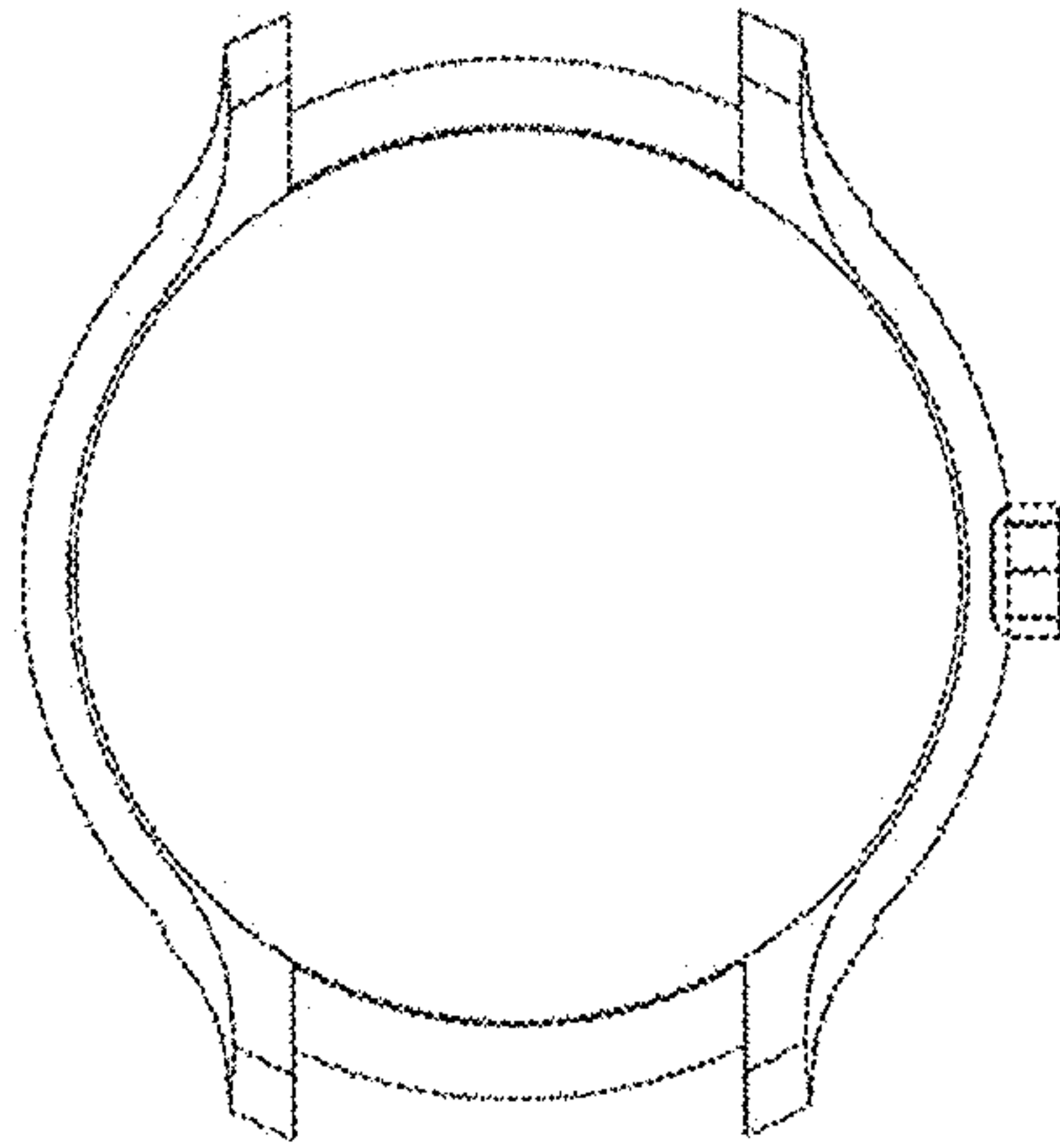


FIG. 3

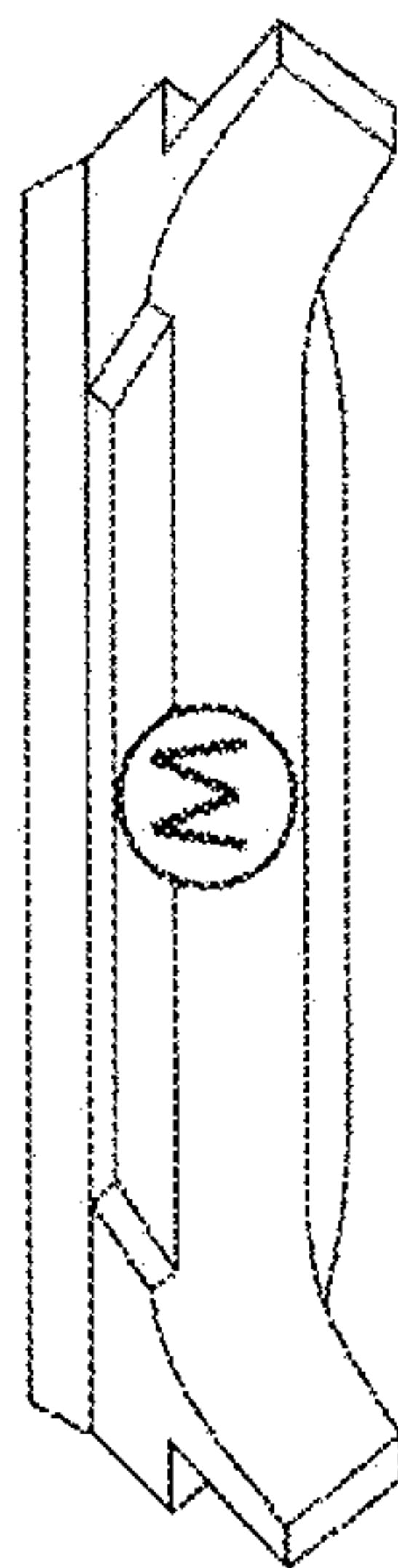


FIG. 4

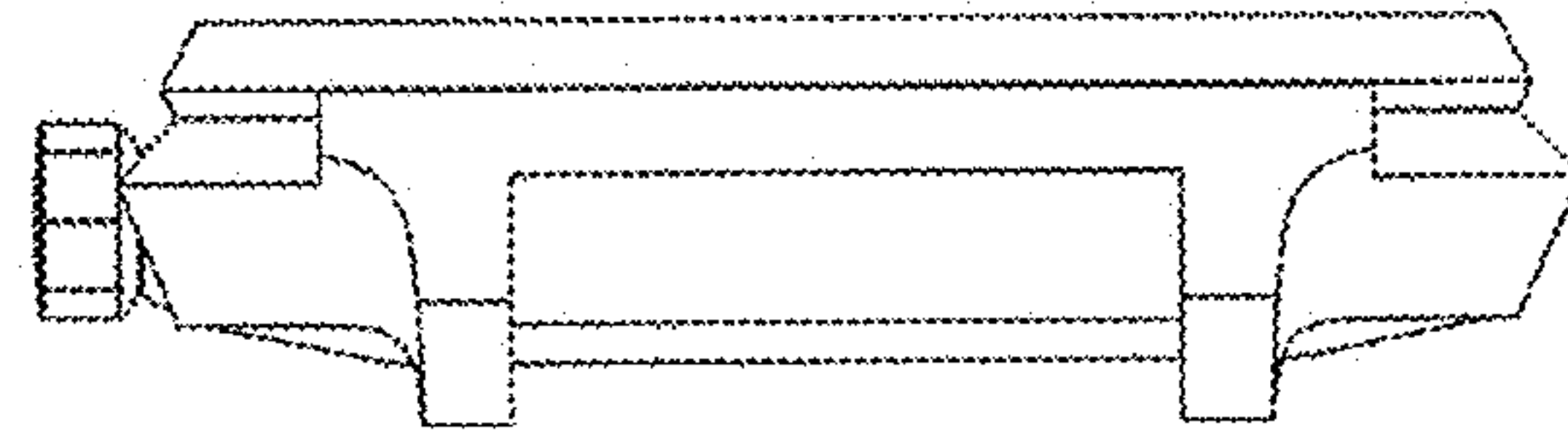


FIG. 5

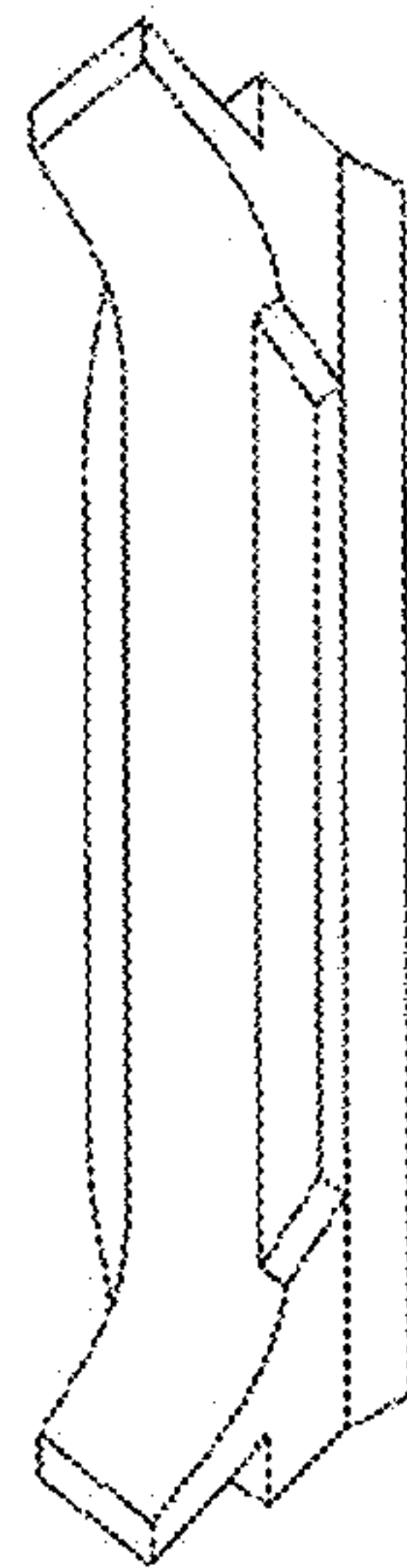


FIG. 6

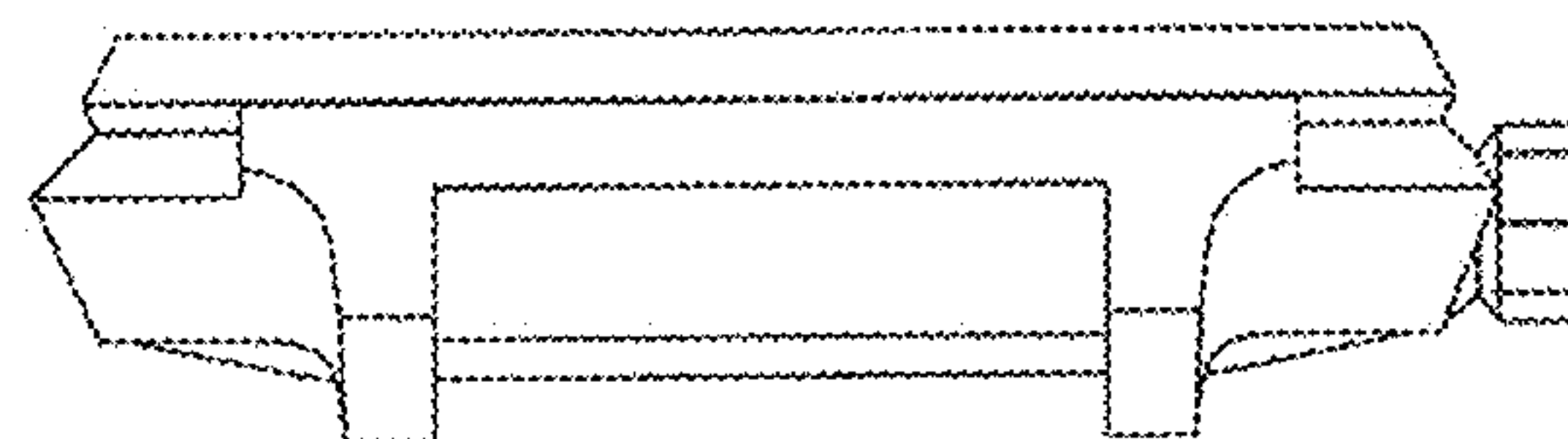


FIG. 7