



US00D774923S

(12) **United States Design Patent** (10) **Patent No.:** **US D774,923 S**
Ohashi et al. (45) **Date of Patent:** **** Dec. 27, 2016**

(54) **CONTAINER**

(71) Applicant: **TOAGOSEI CO., LTD.**, Minato-ku, Tokyo (JP)

(72) Inventors: **Kenichi Ohashi**, West Jefferson, OH (US); **Hideki Nakagawa**, Tokyo (JP); **Tadashi Yoshinaga**, Tokyo (JP)

(73) Assignee: **TOAGOSEI CO., LTD.**, Tokyo (JP)

(**) Term: **14 Years**

(21) Appl. No.: **29/516,848**

(22) Filed: **Feb. 6, 2015**

(51) **LOC (10) Cl.** **09-01**

(52) **U.S. Cl.**
USPC **D9/724**

(58) **Field of Classification Search**
USPC . D9/454, 544-546, 549, 723, 724; 206/438, 206/823; 215/270, 271, 329, 381; 222/206, 212, 213, 215
CPC A45D 40/00; A45D 40/26; A45D 40/262; A45D 34/04; A45D 34/042; B65D 1/023; B65D 41/02; B65D 2203/00; B65D 47/18
See application file for complete search history.

(56) **References Cited**

U.S. PATENT DOCUMENTS

4,011,879 A * 3/1977 Roberts A45D 2/00
132/227
D264,940 S * 6/1982 Stock D24/115
D331,874 S * 12/1992 Schmidt D9/447

D373,730 S * 9/1996 Baron D9/504
D491,469 S * 6/2004 Horie D9/529
D536,623 S * 2/2007 Ozaki D9/724
D597,417 S * 8/2009 Whittaker D9/724
D651,921 S * 1/2012 Probst D9/453
2012/0010552 A1* 1/2012 Greer, Jr. A61M 35/006
604/1

* cited by examiner

Primary Examiner — Ian Simmons
Assistant Examiner — Janice Lim

(74) *Attorney, Agent, or Firm* — Holtz, Holtz & Volek PC

(57) **CLAIM**

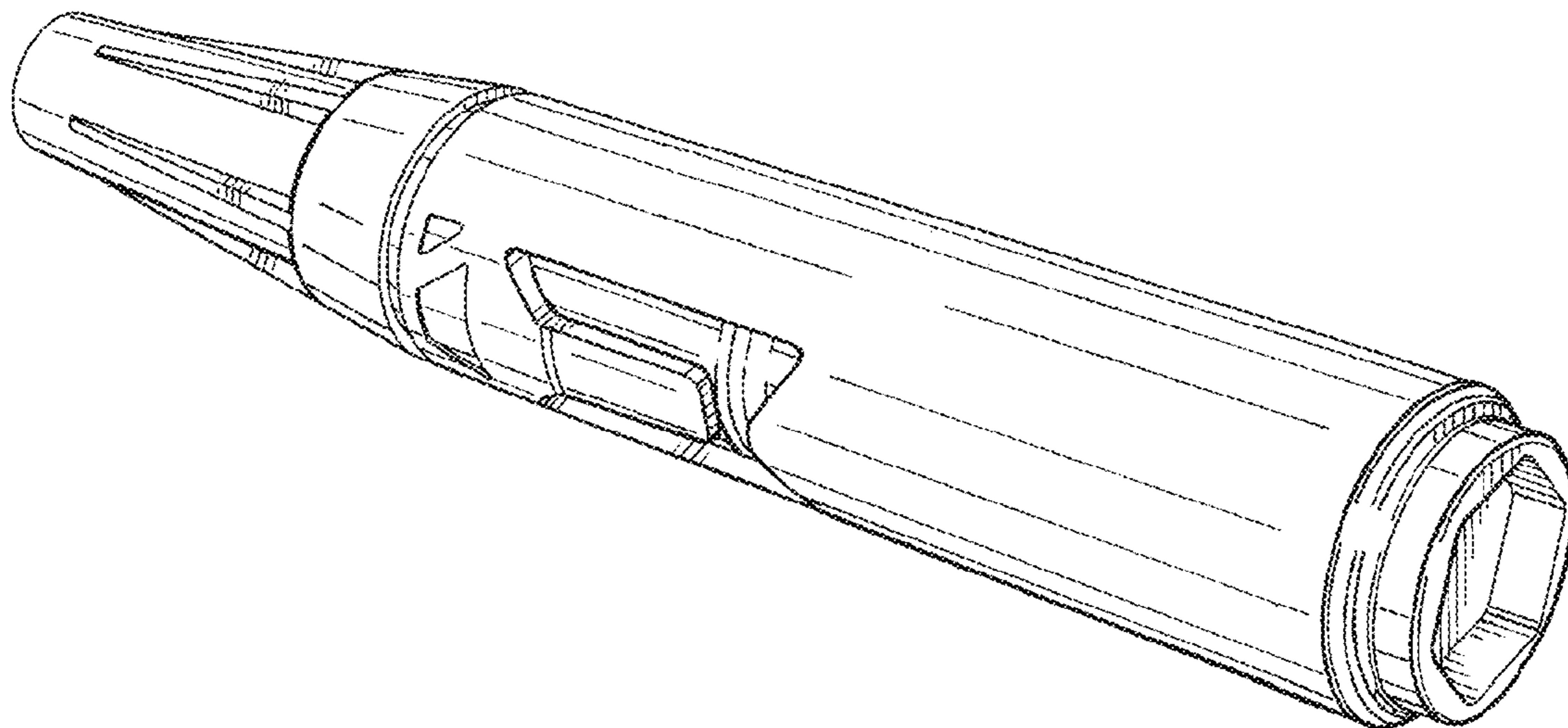
The ornamental design for a container, as shown and described.

DESCRIPTION

FIG. 1 is a front elevational view of a container showing our new design;
FIG. 2 is a rear elevational view thereof;
FIG. 3 is a left side elevational view thereof;
FIG. 4 is a right side elevational view thereof;
FIG. 5 is a top plan view thereof;
FIG. 6 is a bottom plan view thereof;
FIG. 7 is a top, front, left side perspective view thereof;
FIG. 8 is a bottom, front, right side perspective view thereof;
and,
FIG. 9 is a cross sectional view thereof, taken along the line 9-9 of FIG. 1.

The broken line portions are included to show unclaimed subject matter only and form no part of the claimed design.

1 Claim, 4 Drawing Sheets



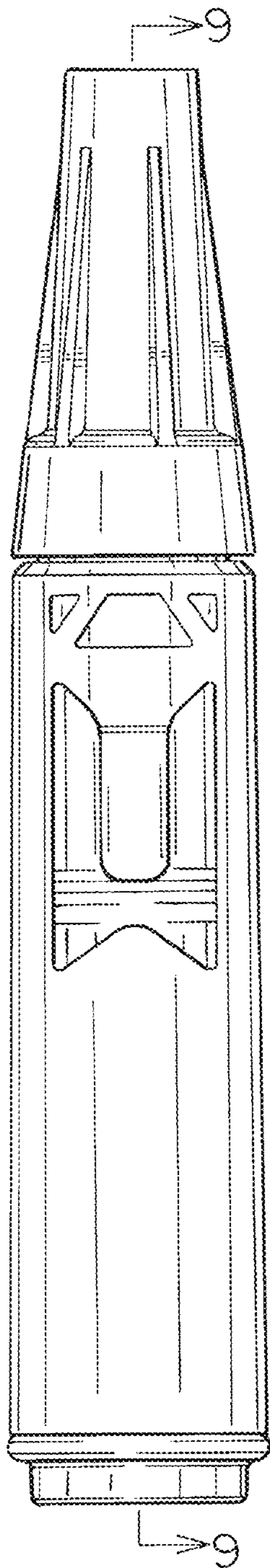


Fig. 1

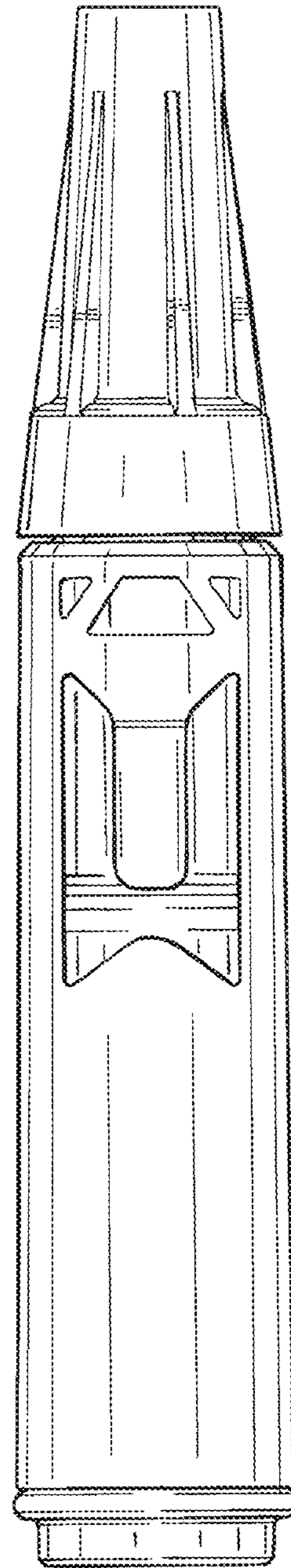


Fig. 2

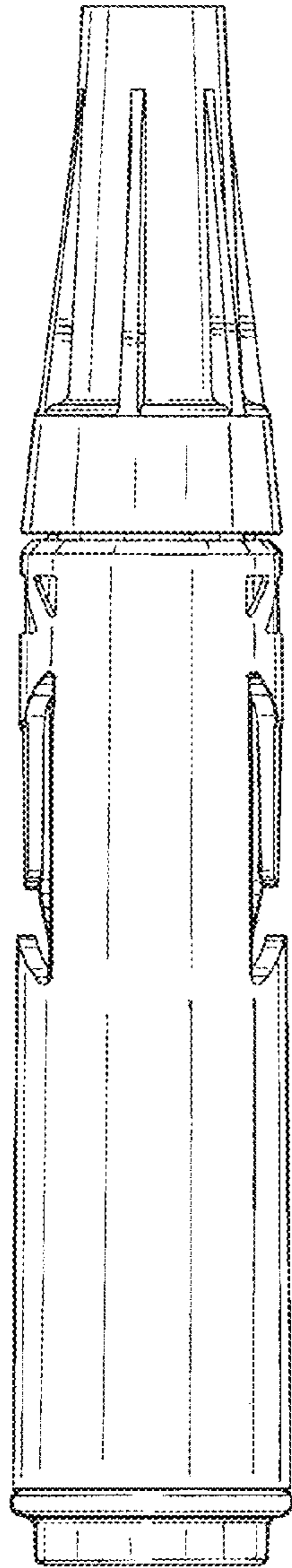


Fig. 3

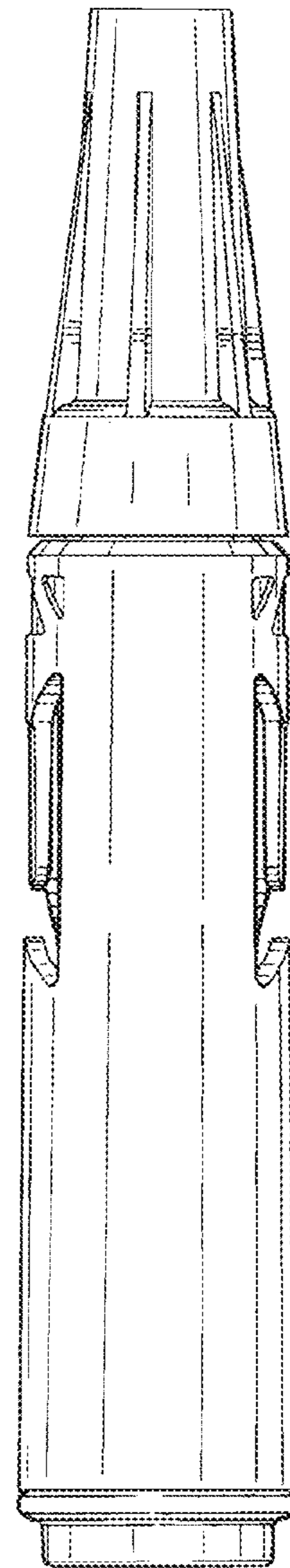


Fig. 4

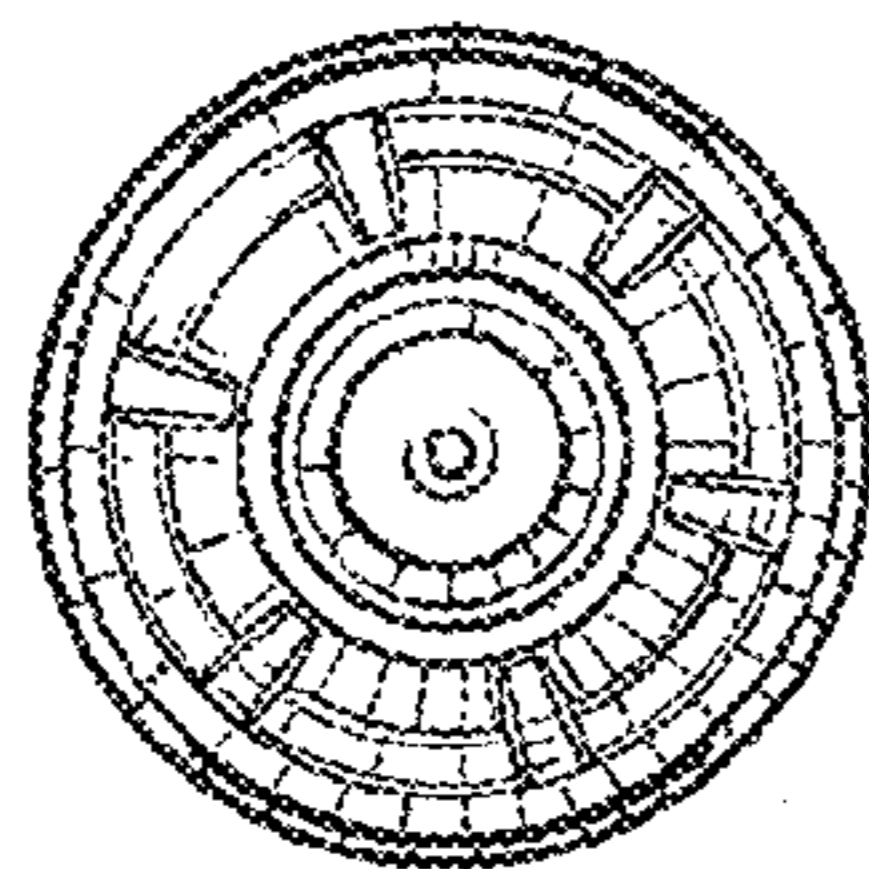


Fig. 5

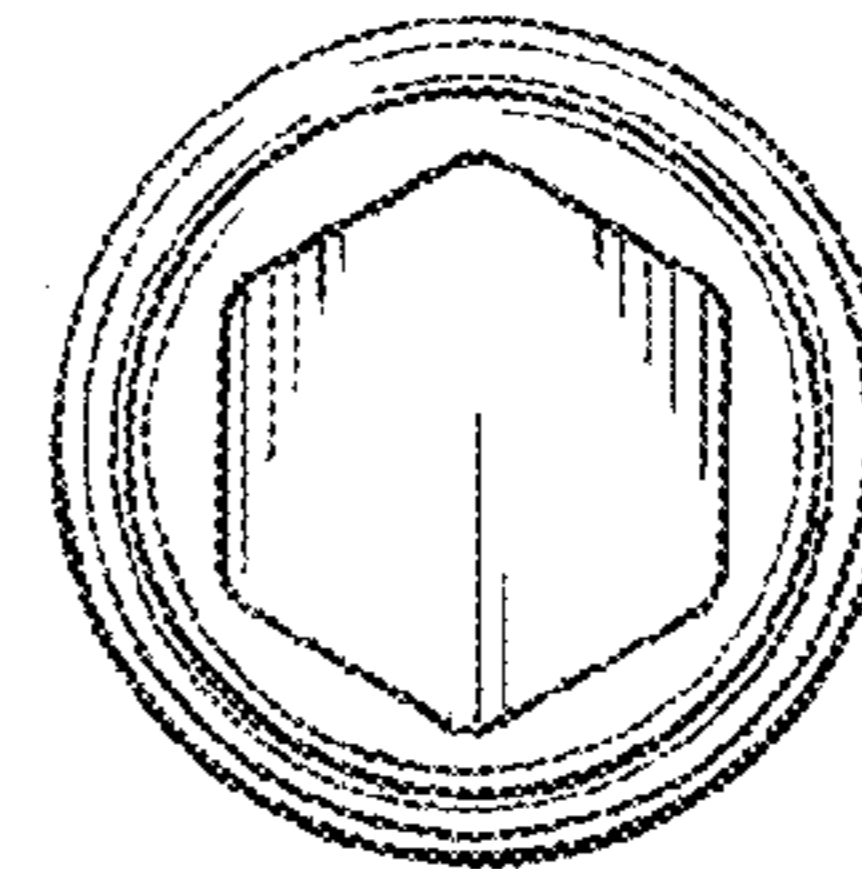


Fig. 6

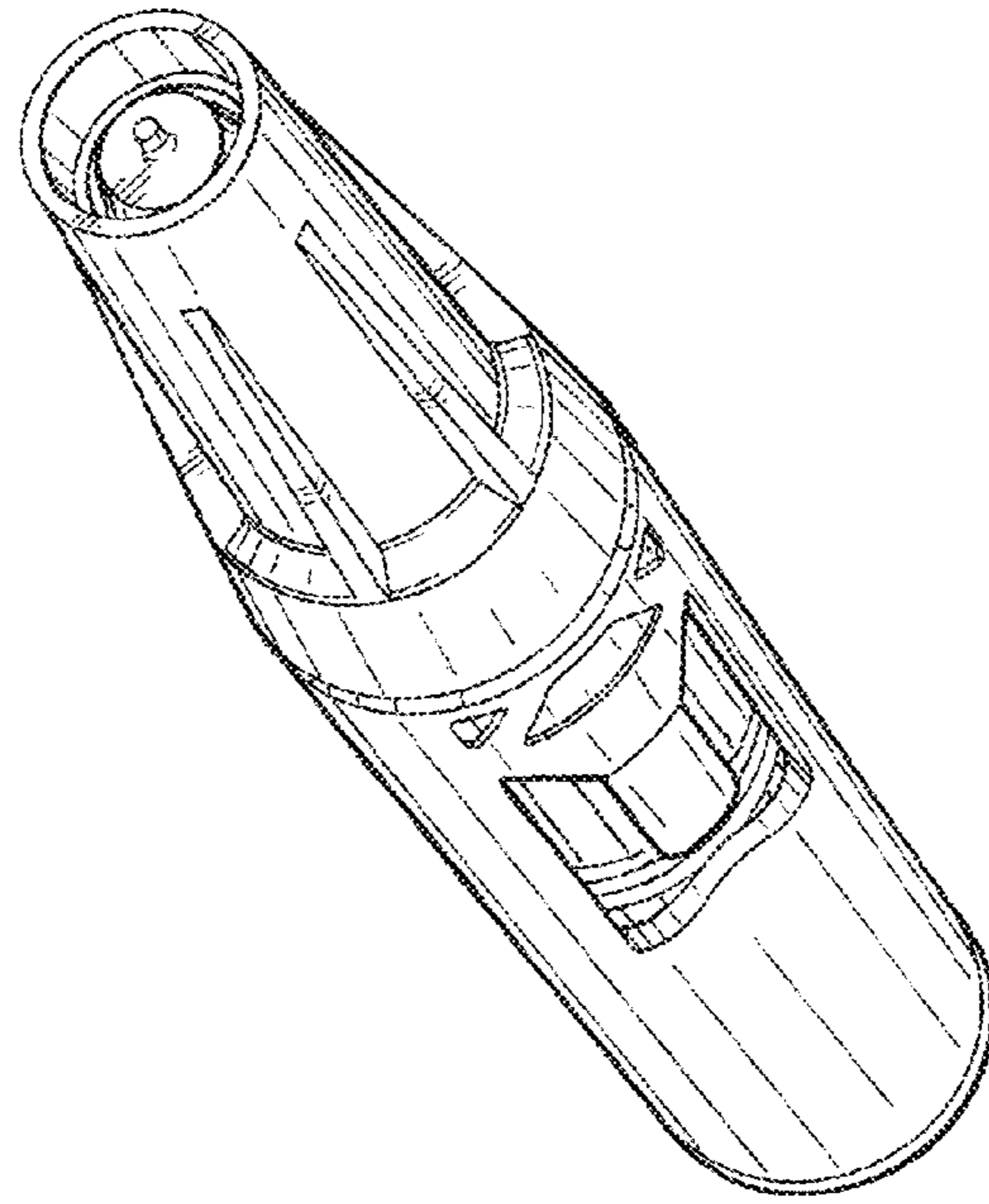


Fig. 7

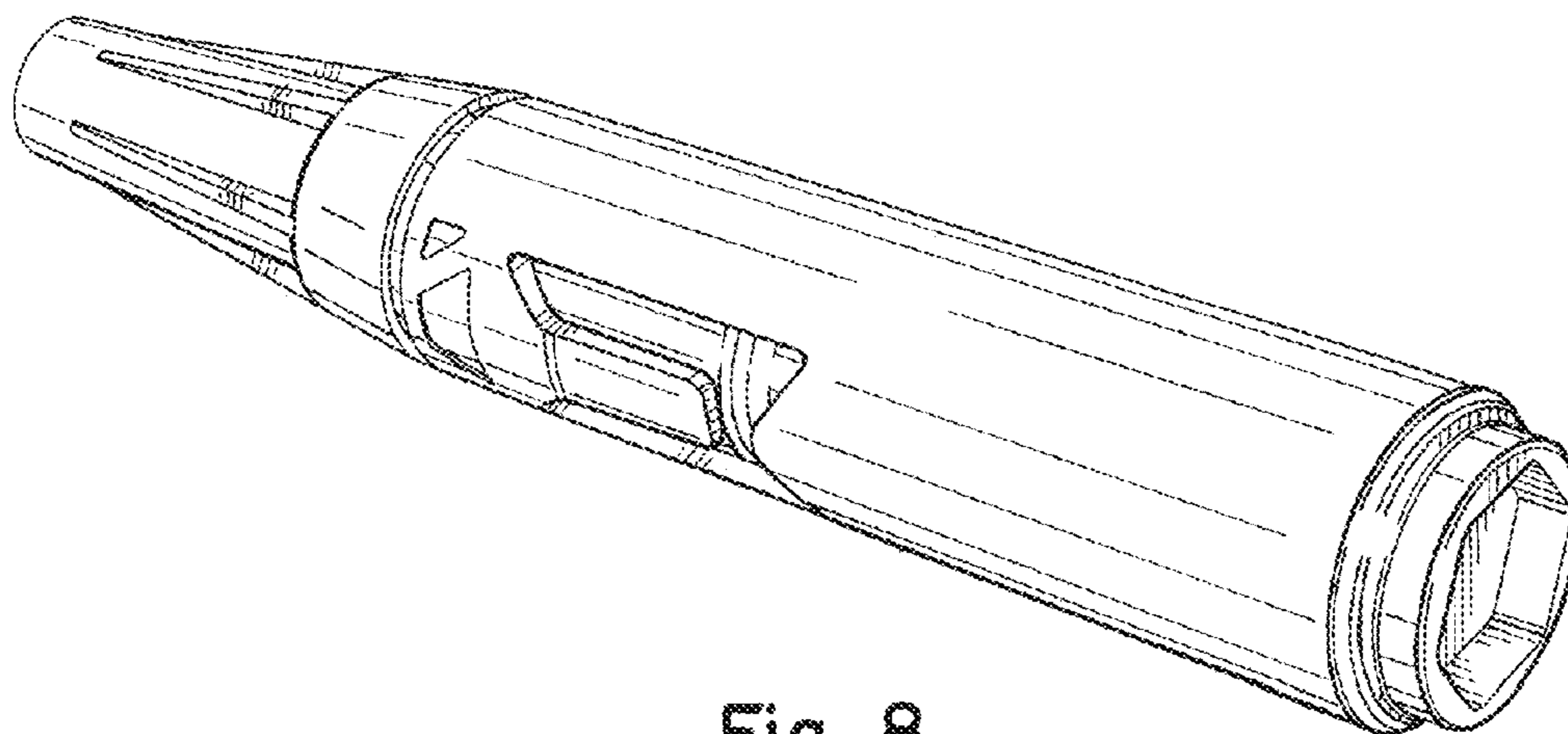


Fig. 8

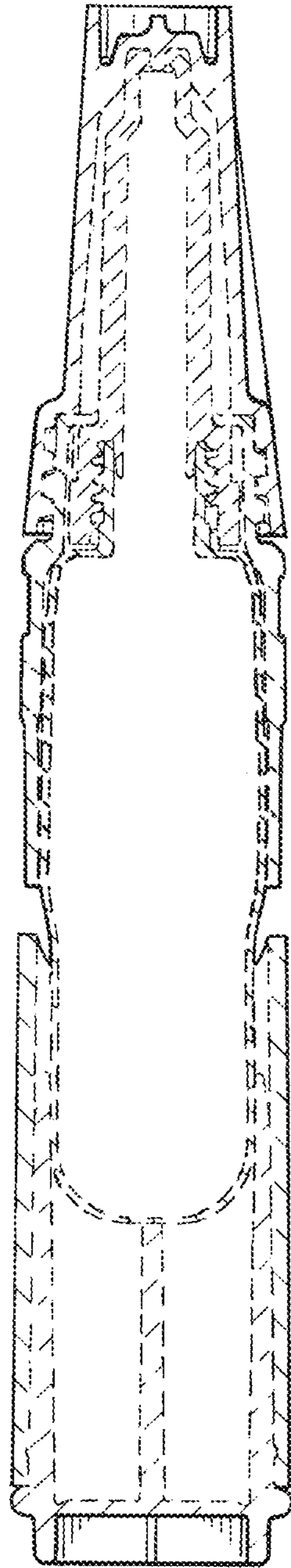


Fig. 9