



US00D774921S

(12) **United States Design Patent** (10) **Patent No.:** **US D774,921 S**
Kim (45) **Date of Patent:** **** Dec. 27, 2016**

(54) **SHIRT AND TIE AND POCKET SQUARE
ARRANGED IN A BOX**

B65D 85/546; B65D 75/30; B65D
2571/00845; B65D 75/522; B65D 33/04

See application file for complete search history.

(71) Applicant: **Peacock Apparel Group, Inc.**, New
York, NY (US)

(56) **References Cited**

(72) Inventor: **Cin Kim**, Alpine, NJ (US)

U.S. PATENT DOCUMENTS

(73) Assignee: **PEACOCK APPAREL GROUP, INC.**,
New York, NY (US)

698,266 A	4/1902	Elliott	
982,948 A	1/1911	Griesemer	
1,253,457 A	1/1918	Atkinson	
1,347,359 A	7/1920	Allison	
1,398,364 A	11/1921	Davidson	
1,862,353 A	6/1932	Allison	
1,995,864 A	3/1935	Reinhold	
2,063,255 A	12/1936	Kim	
2,093,830 A	9/1937	Flatley	
2,175,666 A *	10/1939	Lighter B65D 85/182 206/278
2,233,207 A	2/1941	Gillam	
D126,123 S	3/1941	Clemens	
2,237,330 A	4/1941	Bischoff	
2,316,384 A	4/1943	Abramson	
2,907,045 A	10/1959	O'Reilly	
2,973,857 A	3/1961	Irving	
3,043,494 A	7/1962	Kim	
3,060,448 A	10/1962	Mongelli	
3,066,792 A	12/1962	Spilman	
3,308,935 A	3/1967	Cote	
3,346,881 A	10/1967	Mathison	

(**) Term: **14 Years**

(21) Appl. No.: **29/482,820**

(22) Filed: **Feb. 21, 2014**

Related U.S. Application Data

(62) Division of application No. 29/385,441, filed on Feb.
14, 2011, now Pat. No. Des. 701,776.

(51) **LOC (10) Cl.** **09-03**

(52) **U.S. Cl.**
USPC **D9/721**

(58) **Field of Classification Search**
USPC D9/414, 415, 418, 423, 430, 432, 433,
D9/434, 456, 457, 715, 721, 722, 737;
D2/500-502, 600, 602, 605-607, 609,
D2/728, 828-830, 840-842, 847, 849,
D2/853, 854; 2/66, 77, 102, 115, 128,
2/144, 145, 148, 151, 154; 206/8, 213,
206/242, 275, 278, 279, 281, 282, 283,
206/289, 292, 293, 295, 297, 554, 745,
206/769, 770; 229/71, 83, 87.15,
229/87.06, 87.17, 122, 125.08, 136, 203,
229/240, 275; 116/234

CPC . B65D 85/18; B65D 27/04; B65D 2571/0066;
B65D 2571/00141; B65D
2571/00728; B65D 85/182; B65D 5/4204;
B65D 85/185; B65D 5/5435; B65D
85/1036; B65D 75/38; B65D
77/003; B65D 5/48048; B65D
5/5035; B65D 83/0894; B65D 75/04;

(Continued)

Primary Examiner — Derrick Holland
Assistant Examiner — Lauren Calve
(74) *Attorney, Agent, or Firm* — Leason Ellis LLP

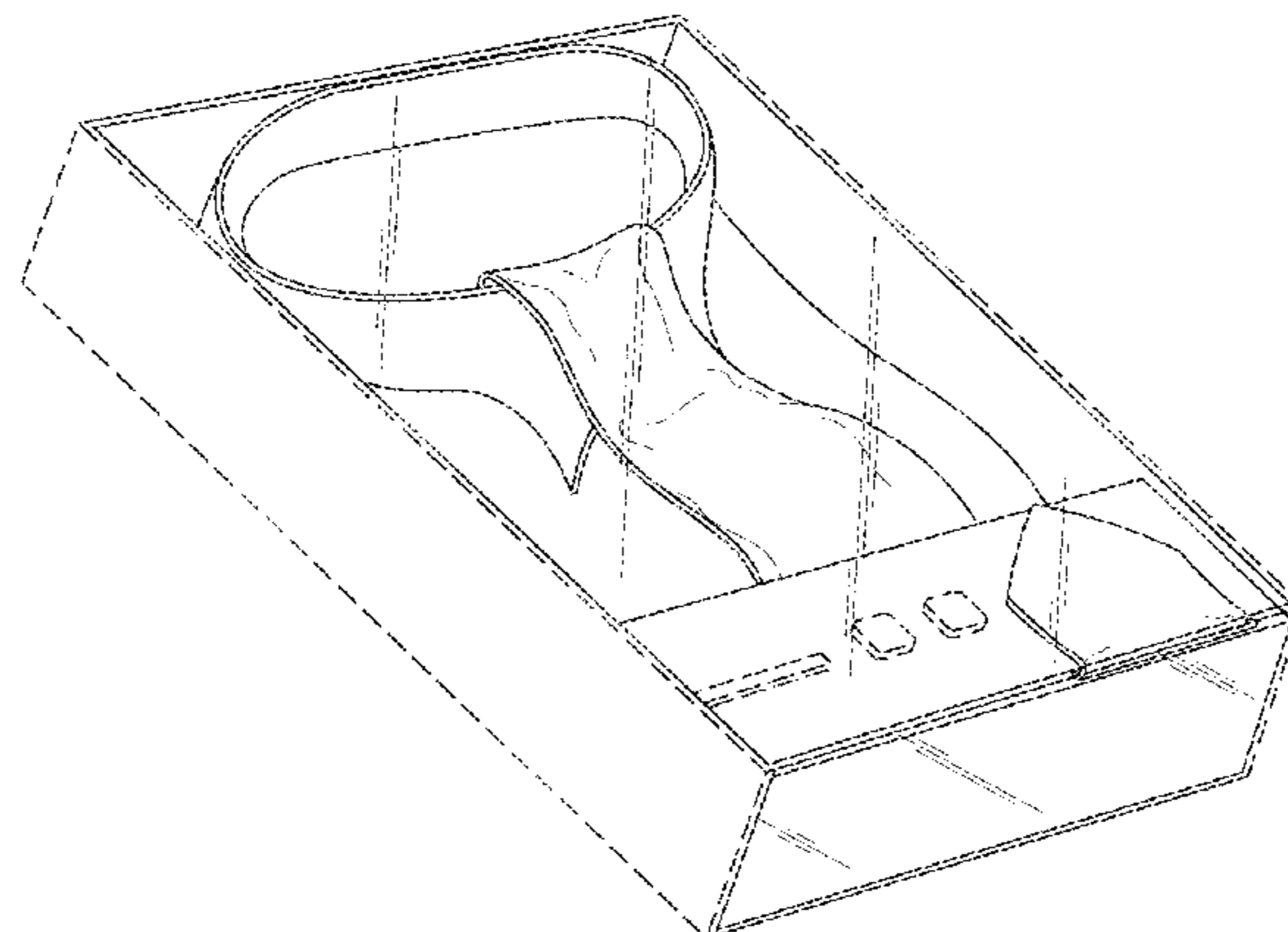
(57) **CLAIM**

The ornamental design for a shirt and tie and pocket square
arranged in a box, as shown and described.

DESCRIPTION

FIG. 1 is a top and front perspective view of a shirt and tie
and pocket square arranged in a box showing my new
design;
FIG. 2 is a top plan view thereof; and,
FIG. 3 is a bottom plan view thereof.

(Continued)



The broken lines shown represent unclaimed subject matter and form no part of the claimed design. All sides not shown form no part of the claimed design.

1 Claim, 2 Drawing Sheets

(56)

References Cited

U.S. PATENT DOCUMENTS

3,363,264	A	1/1968	Mathison
3,379,359	A	4/1968	Arneson
3,506,978	A	4/1970	Santona Aldo
3,511,364	A	5/1970	Airido
3,670,881	A	6/1972	Dutcher
3,890,678	A	6/1975	Leonard
3,964,105	A	6/1976	Gideon
3,999,222	A	12/1976	Walborn
4,046,253	A	9/1977	Weaver
4,173,792	A	11/1979	Intengan
4,182,224	A	1/1980	Dutcher
D261,479	S	10/1981	Marks
4,546,494	A	10/1985	Garber
4,590,610	A	5/1986	Rhyne
4,667,346	A	5/1987	Strollo
4,762,272	A	8/1988	Herrin
4,778,050	A	10/1988	Baptiste
4,856,709	A	8/1989	Axelsson et al.
4,933,991	A	6/1990	Love
5,002,220	A	3/1991	Safranski
D343,356	S	1/1994	Wittman
D346,960	S	5/1994	Bennett
5,316,139	A	5/1994	Judd et al.
D349,181	S	8/1994	Cheng
5,499,484	A	3/1996	Herrin
D368,588	S	4/1996	Goraleski et al.
5,549,243	A	8/1996	Dorier et al.
5,673,434	A	10/1997	Risk
D390,339	S	2/1998	Dipietro
5,774,893	A	7/1998	Torres
6,041,998	A	3/2000	Goldberg et al.
6,102,279	A	8/2000	Dowd
6,126,000	A	10/2000	Tung
6,142,365	A	11/2000	Breitbach

6,460,189	B1	10/2002	Welch
6,499,590	B1	12/2002	Godshaw et al.
D492,595	S	7/2004	Chang
6,901,636	B2	6/2005	Kim
6,978,518	B2	12/2005	Kim
7,096,509	B2	8/2006	Kim
7,114,220	B2	10/2006	Kim
D546,674	S	7/2007	Limber
D553,495	S	10/2007	Vandecasteele et al.
7,310,857	B2	12/2007	Kim
D565,965	S	4/2008	Kim
D565,966	S	4/2008	Kim
D574,722	S	8/2008	Kim
D574,723	S	8/2008	Kim
D574,724	S	8/2008	Kim
D574,725	S	8/2008	Kim
D574,726	S	8/2008	Kim
D574,727	S	8/2008	Kim
D574,728	S	8/2008	Kim
D574,730	S	8/2008	Kim
D589,364	S	3/2009	Kim
D589,365	S	3/2009	Kim
D589,366	S	3/2009	Kim
D589,367	S	3/2009	Kim
D590,724	S	4/2009	Kim
D590,725	S	4/2009	Kim
D590,726	S	4/2009	Kim
D593,872	S	6/2009	Kim
D593,873	S	6/2009	Kim
D595,151	S	6/2009	Kim
D596,951	S	7/2009	Kim
D596,952	S	7/2009	Kim
7,621,393	B2	11/2009	Kim
D606,883	S	12/2009	Kim
D611,837	S	3/2010	Kim
D626,011	S	10/2010	Kim
D630,107	S	1/2011	Kim
D660,721	S	5/2012	Kim
D723,388	S *	3/2015	Kim D9/721
D723,389	S *	3/2015	Kim D9/721
2005/0067443	A1	3/2005	Kim
2007/0045131	A1	3/2007	Kim
2009/0032434	A1	2/2009	Kim
2010/0025269	A1	2/2010	Kim
2011/0192869	A1	8/2011	Kim

* cited by examiner

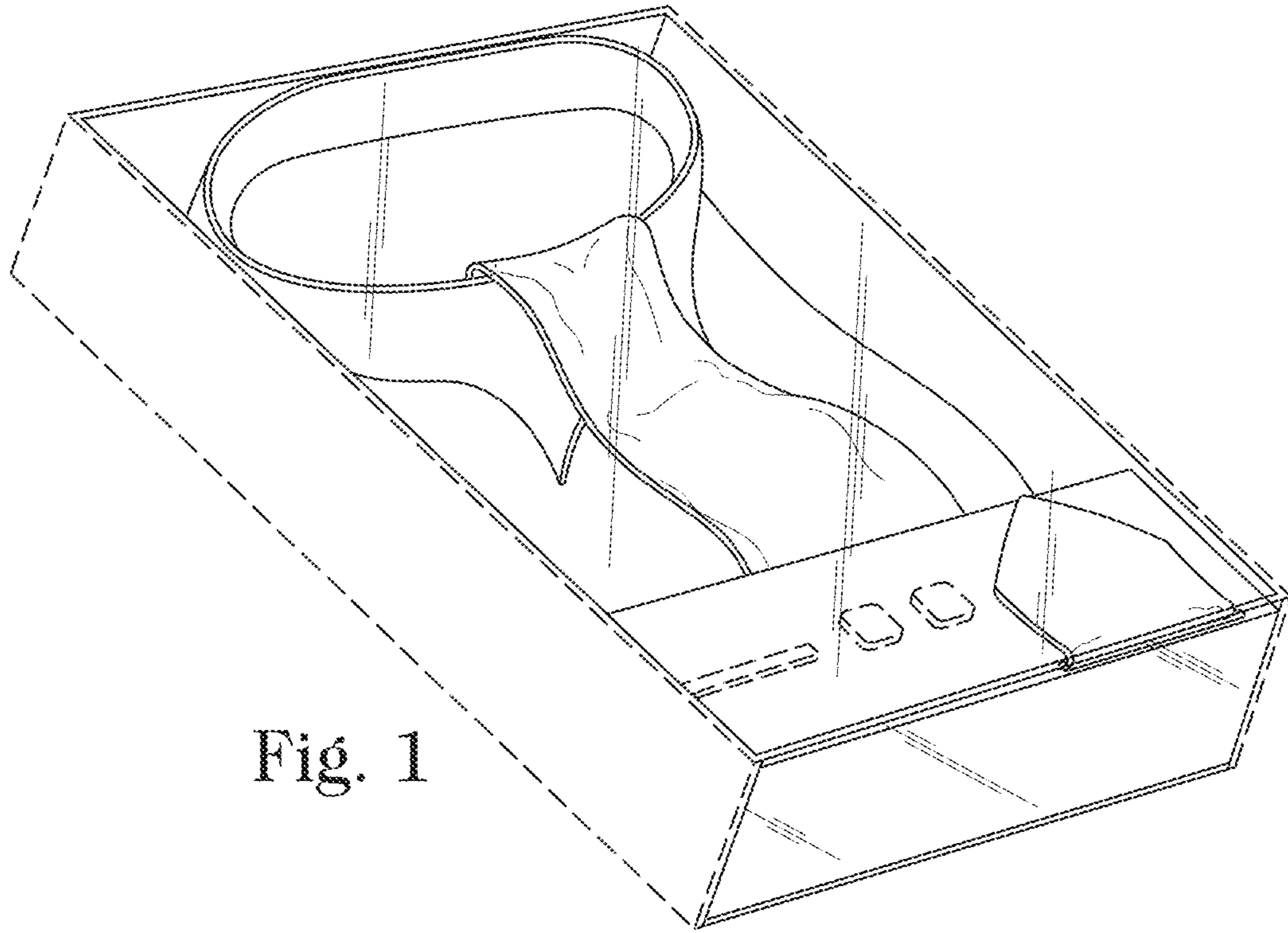


Fig. 1

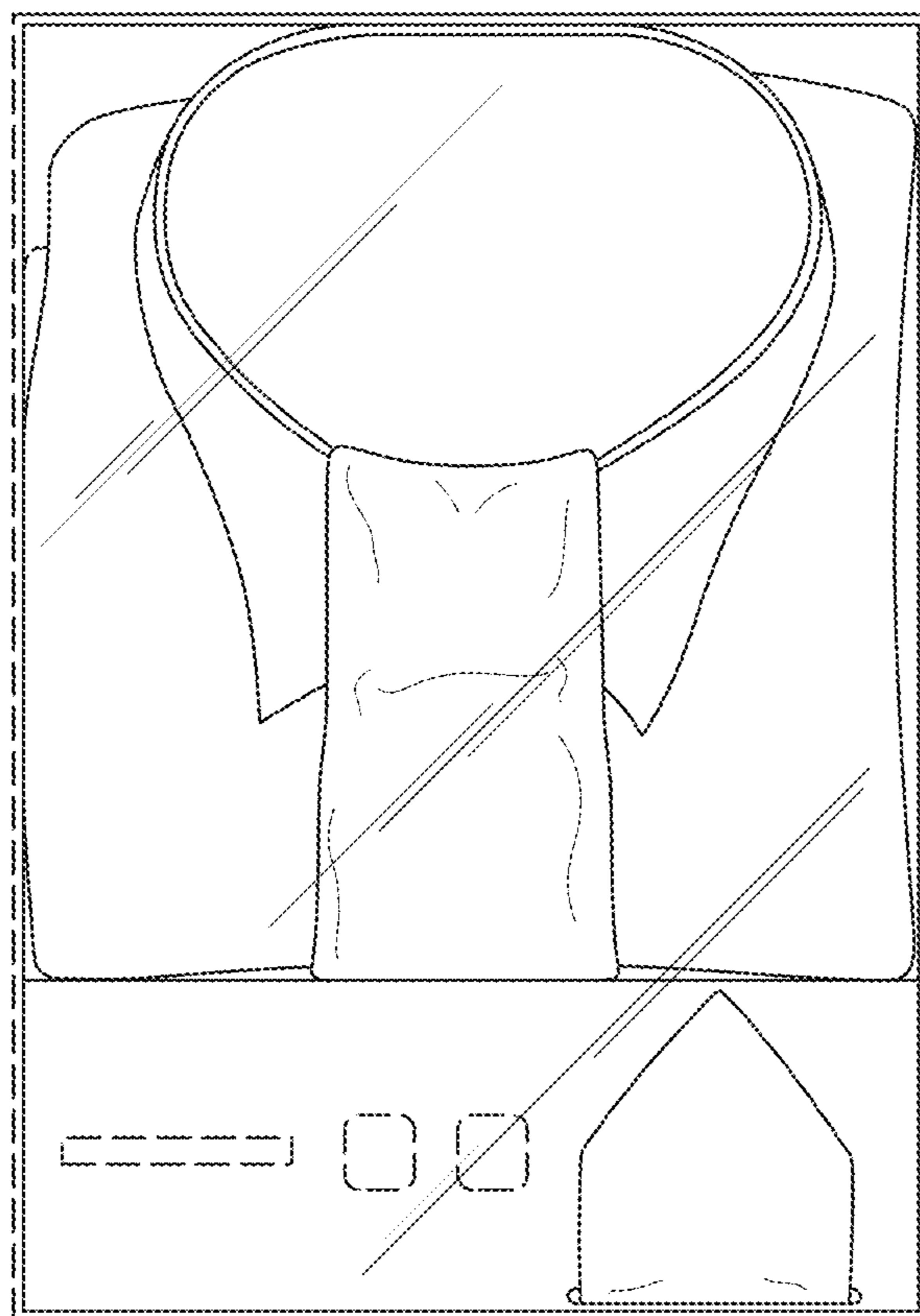


Fig. 2

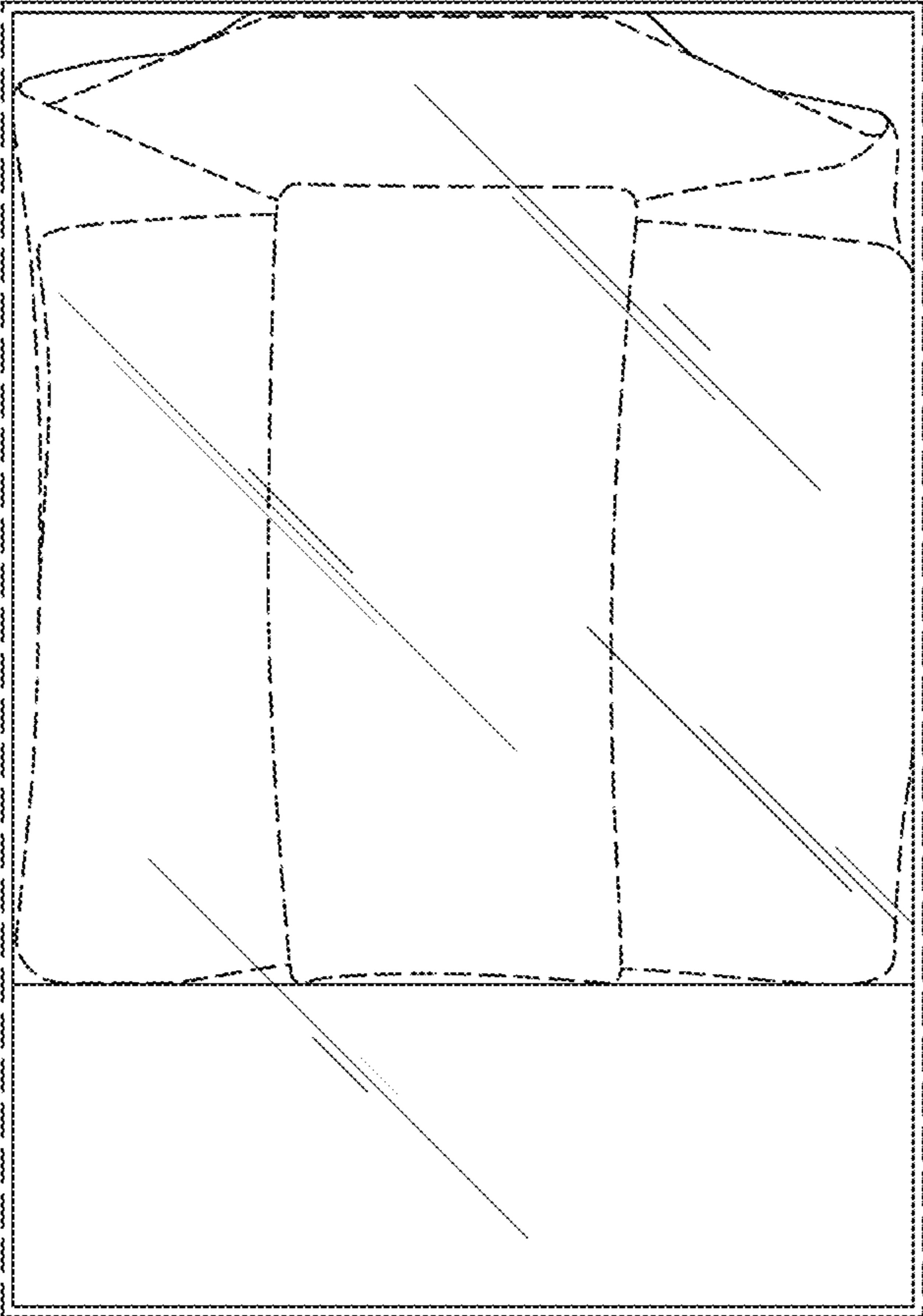


Fig. 3