



US00D774920S

(12) **United States Design Patent** (10) **Patent No.:** **US D774,920 S**
Kim (45) **Date of Patent:** **** Dec. 27, 2016**

- (54) **SHIRT AND TIES ARRANGED IN A BOX**
- (71) Applicant: **Peacock Apparel Group, Inc.**, New York, NY (US)
- (72) Inventor: **Cin Kim**, Alpine, NJ (US)
- (73) Assignee: **PEACOCK APPAREL GROUP, INC.**, New York, NY (US)
- (**) Term: **14 Years**
- (21) Appl. No.: **29/482,816**
- (22) Filed: **Feb. 21, 2014**

Related U.S. Application Data

- (62) Division of application No. 29/385,437, filed on Feb. 14, 2011, now Pat. No. Des. 703,065.
- (51) **LOC (10) Cl.** **09-01**
- (52) **U.S. Cl.**
USPC **D9/721**
- (58) **Field of Classification Search**
USPC D9/414, 415, 418, 423, 430, 432, 433, D9/434, 456, 457, 715, 721, 722, 737; D2/500-502, 600, 602, 605-607, 609, D2/728, 828-830, 840-842, 847, 849, D2/853, 854; 2/66, 77, 102, 115, 128, D2/144, 145, 148, 2/151, 154; 206/8, 213, 206/242, 275, 278, 279, 281, 282, 283, 206/289, 292, 293, 295, 297, 554, 745, 206/769, 770; 229/71, 83, 87.15, 229/87.06, 87.17, 122, 125.08, 136, 203, 229/240, 275; 116/234
CPC . B65D 85/18; B65D 27/04; B65D 2571/0066; B65D 2571/00141; B65D 2571/00728; B65D 85/182; B65D 5/4204; B65D 85/185; B65D 5/5435; B65D 85/1036; B65D 75/38; B65D 77/003; B65D 5/48048; B65D 5/5035; B65D 83/0894; B65D 75/04; B65D 85/546; B65D 75/30; B65D 2571/00845; B65D 75/522; B65D 33/04
See application file for complete search history.

(56) **References Cited**

U.S. PATENT DOCUMENTS

698,266 A	4/1902	Elliott	
982,948 A	1/1911	Griesemer	
1,253,457 A	1/1918	Atkinson	
1,347,359 A	7/1920	Allison	
1,398,364 A	11/1921	Davidson	
1,497,787 A	6/1924	Parent et al.	
1,862,353 A	6/1932	Allison	
1,995,864 A	3/1935	Reinhold	
2,063,255 A	12/1936	Kim	
2,093,830 A	9/1937	Flatley	
2,175,666 A *	10/1939	Lighter B65D 85/182 206/278
2,233,207 A	2/1941	Gillam	
D126,123 S	3/1941	Clemens	
2,237,330 A	4/1941	Bischoff	
2,316,384 A	4/1943	Abramson	
2,907,045 A	10/1959	O'Reilly	
3,043,494 A	7/1962	Kim	
3,060,448 A	10/1962	Mongelli	
3,066,792 A	12/1962	Spilman	
3,308,935 A	3/1967	Cote	
3,346,881 A	10/1967	Mathison	
3,363,264 A	1/1968	Mathison	
3,379,359 A	4/1968	Arneson	

(Continued)

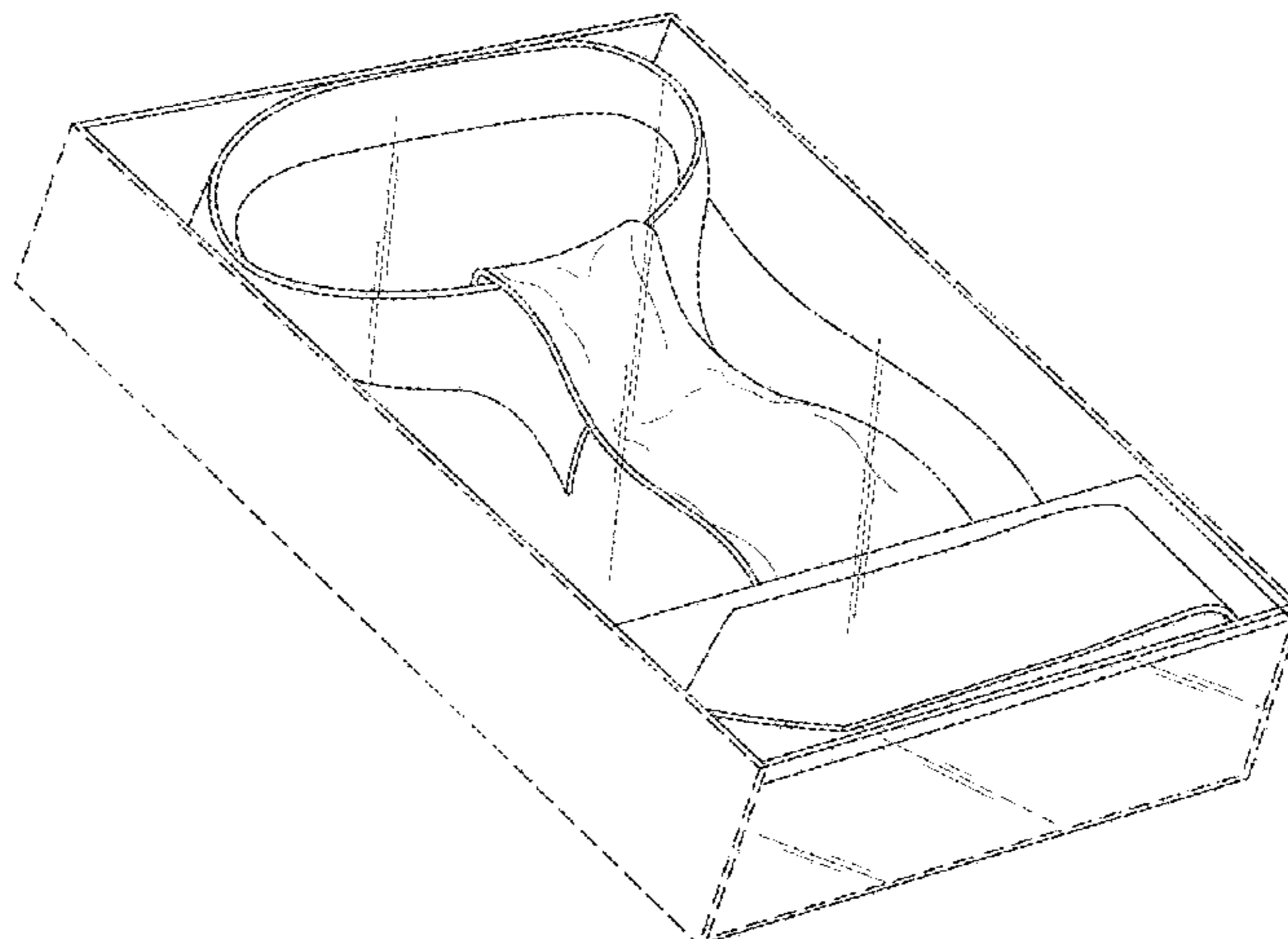
Primary Examiner — Derrick Holland
Assistant Examiner — Lauren Calve
(74) *Attorney, Agent, or Firm* — Leason Ellis LLP

(57) **CLAIM**
The ornamental design for a shirt and ties arranged in a box, as shown and described.

DESCRIPTION

FIG. 1 is a top and front perspective view of a shirt and ties arranged in a box showing my new design; FIG. 2 is a top plan view thereof; and, FIG. 3 is a bottom plan view thereof. The broken lines shown represent unclaimed subject matter and form no part of the claimed design. All sides not shown form no part of the claimed design.

1 Claim, 2 Drawing Sheets



(56)

References Cited

U.S. PATENT DOCUMENTS

3,506,978 A	4/1970	Santona	7,096,509 B2	8/2006	Kim	
3,511,364 A	5/1970	Airido	7,114,220 B2	10/2006	Kim	
3,670,881 A	6/1972	Dutcher	D546,674 S	7/2007	Limber	
3,890,678 A	6/1975	Leonard	D553,495 S	10/2007	Vandecasteele et al.	
3,964,105 A	6/1976	Gideon	7,310,857 B2	12/2007	Kim	
3,999,222 A	12/1976	Walborn	D565,965 S	4/2008	Kim	
4,046,253 A	9/1977	Weaver	D565,966 S	4/2008	Kim	
4,173,792 A	11/1979	Intengan	D574,722 S	8/2008	Kim	
4,182,224 A	1/1980	Dutcher	D574,723 S	8/2008	Kim	
D261,479 S	10/1981	Marks	D574,724 S	8/2008	Kim	
4,546,494 A	10/1985	Garber	D574,725 S	8/2008	Kim	
4,590,610 A	5/1986	Rhyne	D574,726 S	8/2008	Kim	
4,667,346 A	5/1987	Strollo	D574,727 S	8/2008	Kim	
4,762,272 A	8/1988	Herrin	D574,728 S	8/2008	Kim	
4,778,050 A	10/1988	Baptiste	D574,730 S	8/2008	Kim	
4,856,709 A	8/1989	Axelsson et al.	D589,364 S	3/2009	Kim	
4,933,991 A	6/1990	Love	D589,365 S	3/2009	Kim	
5,002,220 A	3/1991	Safranski	D589,366 S	3/2009	Kim	
D343,356 S	1/1994	Wittman	D589,367 S	3/2009	Kim	
D346,960 S	5/1994	Bennett	D590,724 S	4/2009	Kim	
5,316,139 A	5/1994	Judd et al.	D590,725 S	4/2009	Kim	
D349,181 S	8/1994	Cheng	D590,726 S	4/2009	Kim	
5,499,484 A	3/1996	Herrin	D593,872 S	6/2009	Kim	
D368,588 S	4/1996	Goraleski et al.	D593,873 S	6/2009	Kim	
5,549,243 A	8/1996	Dorier et al.	D595,151 S	6/2009	Kim	
5,673,434 A	10/1997	Risk	D596,951 S	7/2009	Kim	
D390,339 S	2/1998	Dipietro	D596,952 S	7/2009	Kim	
5,774,893 A	7/1998	Torres	7,621,393 B2	11/2009	Kim	
6,041,998 A	3/2000	Goldberg et al.	D606,883 S	12/2009	Kim	
6,102,279 A	8/2000	Dowd	D660,721 S	5/2012	Kim	
6,126,000 A	10/2000	Tung	8,167,125 B2	5/2012	Kim	
6,142,365 A	11/2000	Breitbach	8,167,157 B2	5/2012	Shalomoff	
6,460,189 B1	10/2002	Welch	D723,388 S *	3/2015	Kim	D9/721
6,499,590 B1	12/2002	Godshaw et al.	D723,389 S *	3/2015	Kim	D9/721
D492,595 S	7/2004	Chang	2005/0067443 A1	3/2005	Kim	
6,901,636 B2	6/2005	Kim	2007/0045131 A1	3/2007	Kim	
6,978,518 B2	12/2005	Kim	2009/0032434 A1	2/2009	Kim	
			2010/0025269 A1	2/2010	Kim	
			2011/0192869 A1	8/2011	Kim	

* cited by examiner

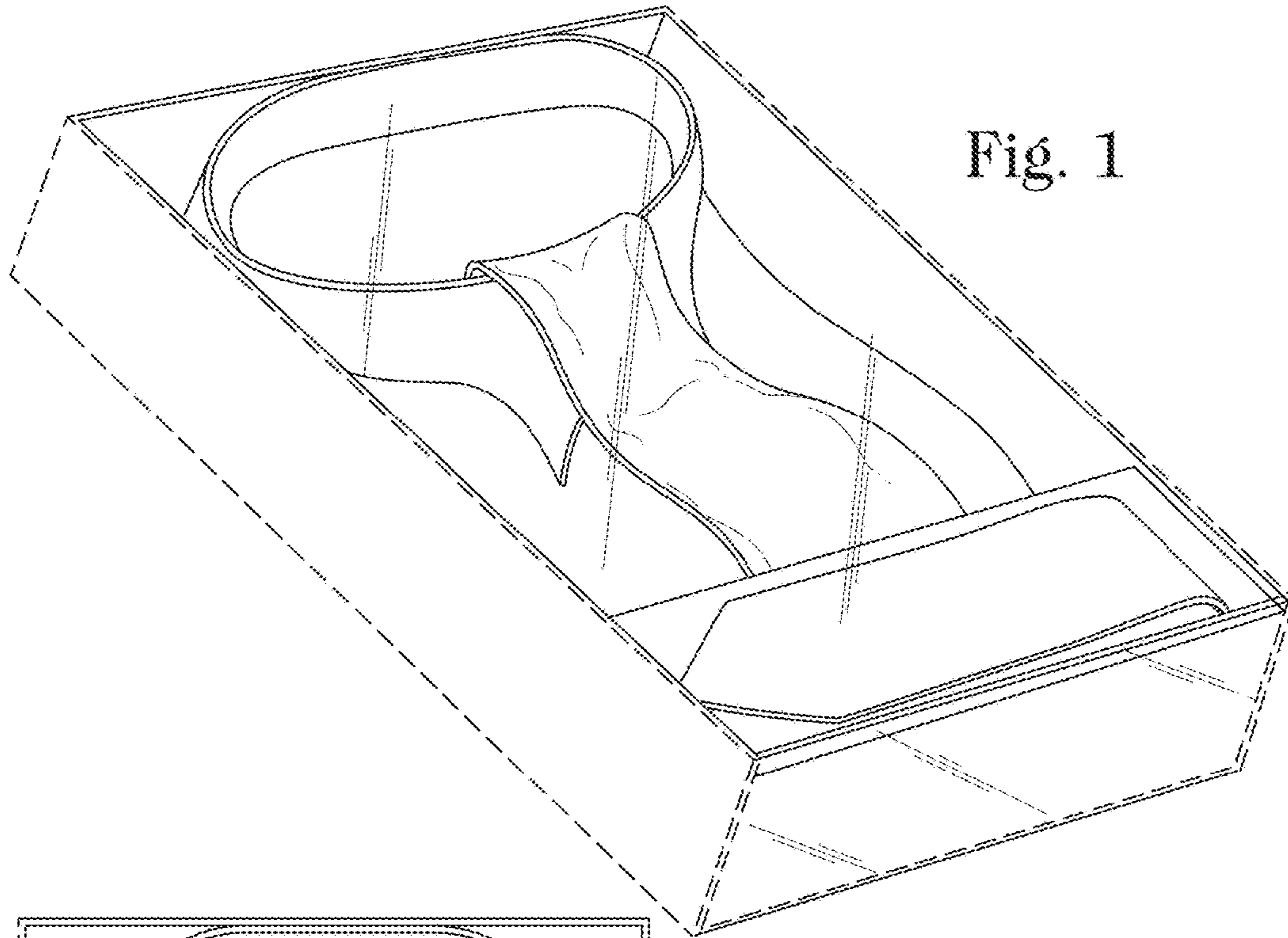


Fig. 1

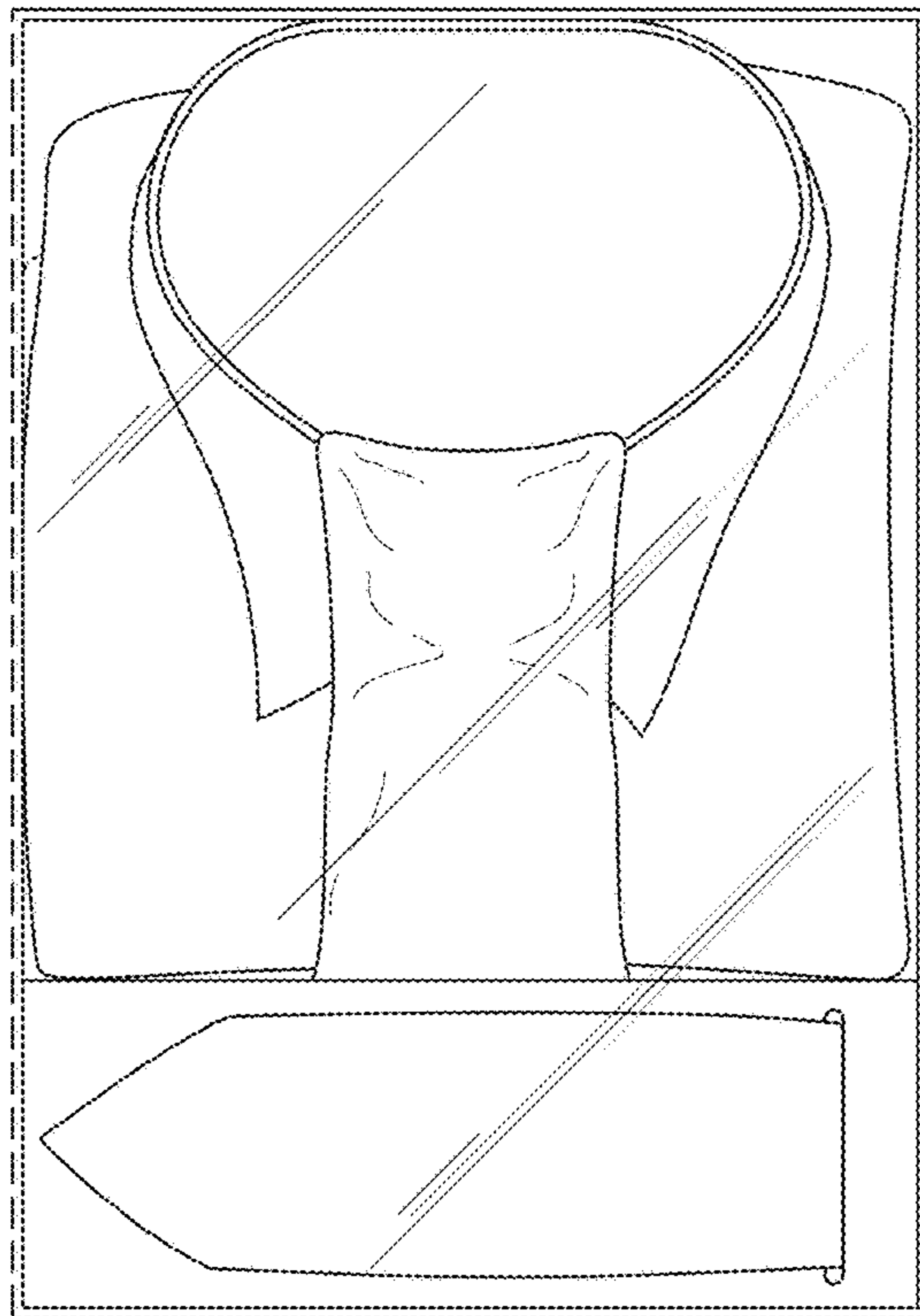


Fig. 2

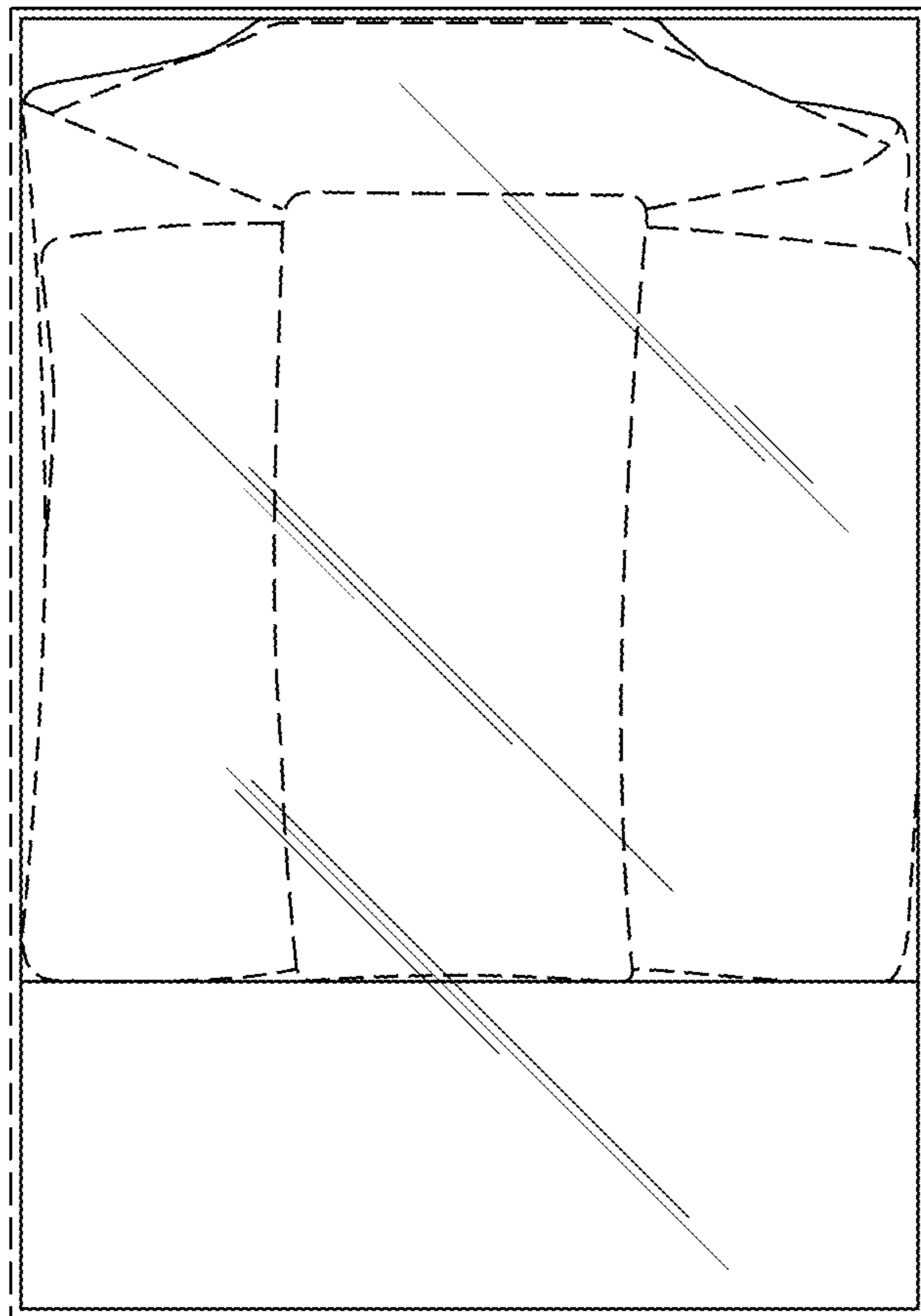


Fig. 3