



US00D774915S

(12) **United States Design Patent** (10) **Patent No.:** **US D774,915 S**
Seys (45) **Date of Patent:** **** Dec. 27, 2016**

(54) **BOTTLE**
(71) Applicant: **AME HOLDING AG**, Zug (CH)
(72) Inventor: **Philippe Seys**, Saint-Saturnin (FR)
(**) Term: **15 Years**
(21) Appl. No.: **35/500,228**
(22) Filed: **Aug. 19, 2015**
(80) **Hague Agreement Data**
Int. Filing Date: **Aug. 19, 2015**
Int. Reg. No.: **DM/087857**
Int. Reg. Date: **Aug. 19, 2015**
Int. Reg. Pub. Date: **Oct. 30, 2015**
(51) **LOC (10) Cl.** **09-03**
(52) **U.S. Cl.**
USPC **D9/551**
(58) **Field of Classification Search**
USPC D9/551, 504, 539, 444, 724, 689, 500,
D9/452, 552, 435, 707, 503, 537, 454,
D9/529, 686, 502; D27/162, 163; D7/300;
D19/190; D28/76; D11/131; 222/212;
604/37
CPC B65D 47/261; A61H 35/04
See application file for complete search history.

(56) **References Cited**
U.S. PATENT DOCUMENTS
1,755,754 A * 4/1930 Wappler A61H 35/04
604/37
2,717,727 A * 9/1955 Robb B65D 47/261
222/212
D362,187 S * 9/1995 Thompson D9/500
D369,551 S * 5/1996 MacLean D9/500
D373,730 S * 9/1996 Baron D9/504
D482,284 S * 11/2003 Cantone D9/502

D512,938 S * 12/2005 Morris D11/131
D567,666 S * 4/2008 Hessmer D9/686
D577,590 S * 9/2008 Ulicny D9/529
D582,777 S * 12/2008 Mansau D9/529
D615,404 S * 5/2010 Pitzer D9/500
D619,894 S * 7/2010 Ashiwa D9/504
D620,807 S * 8/2010 Wang Treadway D9/689
D622,152 S * 8/2010 Zhou D9/552
D646,572 S * 10/2011 Koeleman D9/500
D658,984 S * 5/2012 Pauser D9/435
D672,607 S * 12/2012 Hainan D7/300
D703,064 S * 4/2014 Warrington D9/707
D705,067 S * 5/2014 Dubitsky D9/444
D708,063 S * 7/2014 Jones D9/503
D720,624 S * 1/2015 Eyles D9/537
D735,946 S * 8/2015 Ko D28/76
D739,739 S * 9/2015 DeMarco D9/454
D740,492 S * 10/2015 Huang D28/76
D743,488 S * 11/2015 Jun D19/190
D745,398 S * 12/2015 Cotton D9/500
D748,475 S * 2/2016 Hunter D9/444
D758,003 S * 5/2016 Merwin D27/163
D758,867 S * 6/2016 Tsai D28/89
D758,880 S * 6/2016 Chapman D9/724
D759,501 S * 6/2016 Hwang D9/689
D760,590 S * 7/2016 Renner D9/500
D761,112 S * 7/2016 Komai D9/452

* cited by examiner

Primary Examiner — Rhea Shields

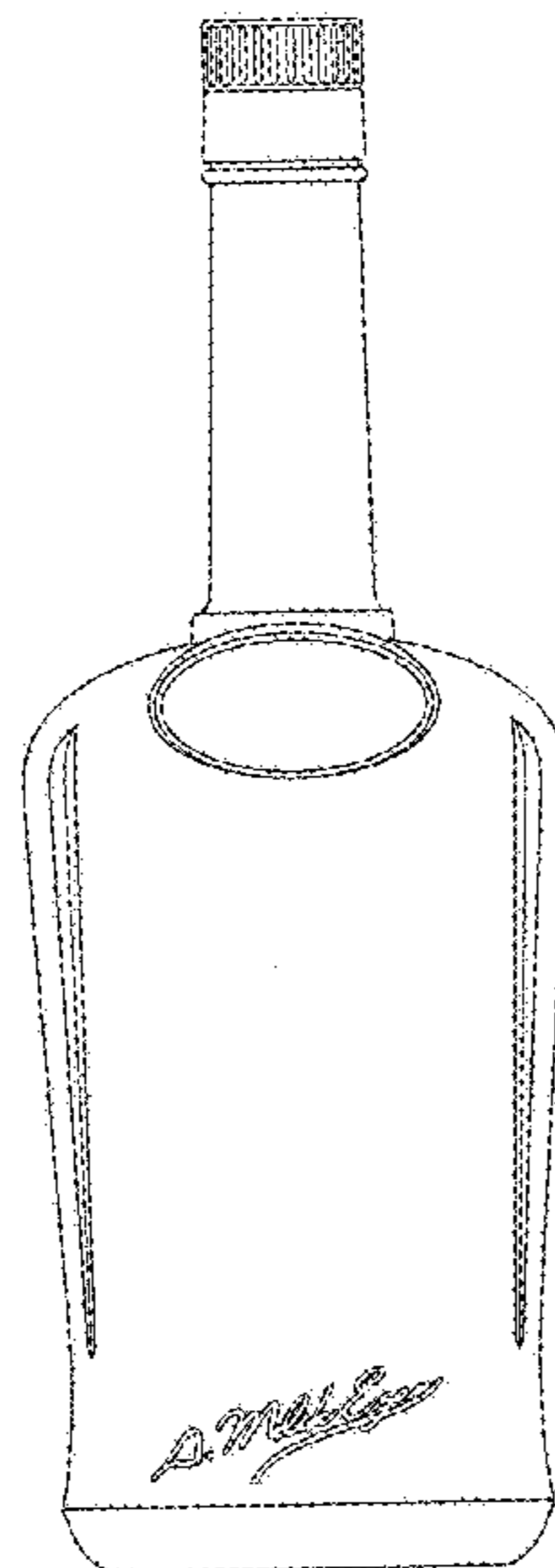
(57) **CLAIM**

The ornamental design for a bottle, as shown and described.

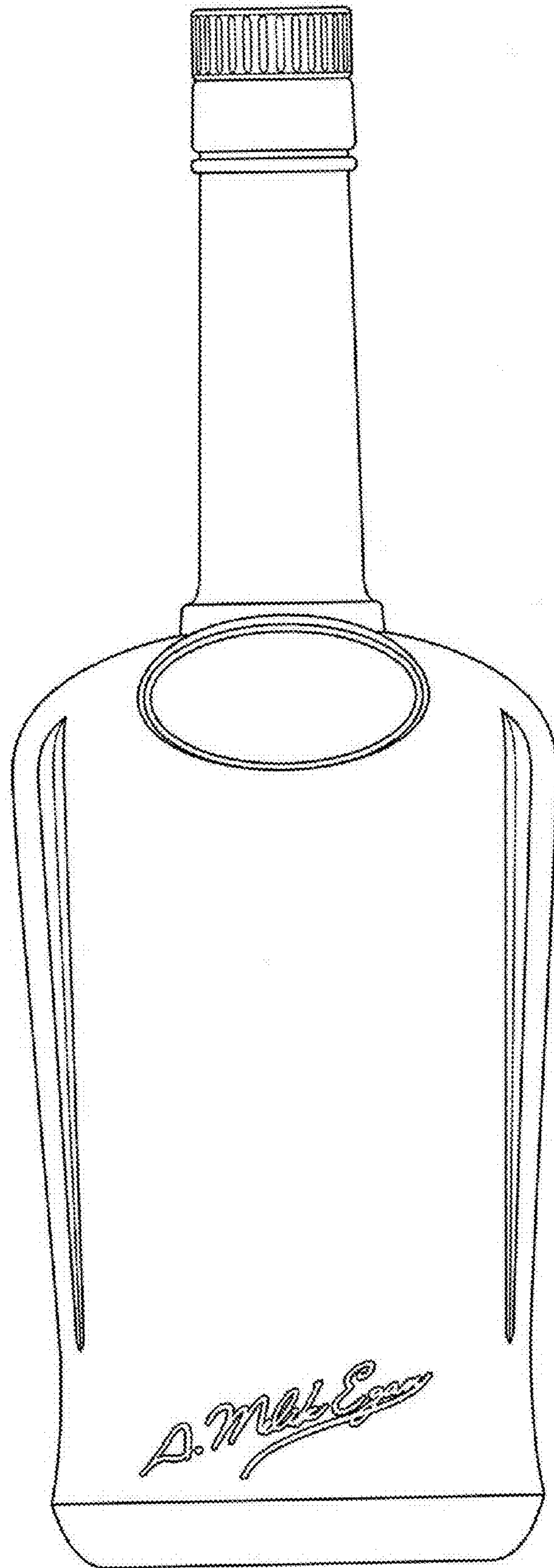
DESCRIPTION

1.-2. Bottles
1.1 is a front view;
1.2 is a top view; and
1.3 is a side view.
2.1 is a front view;
2.2 is a top view; and
2.3 is a side view.

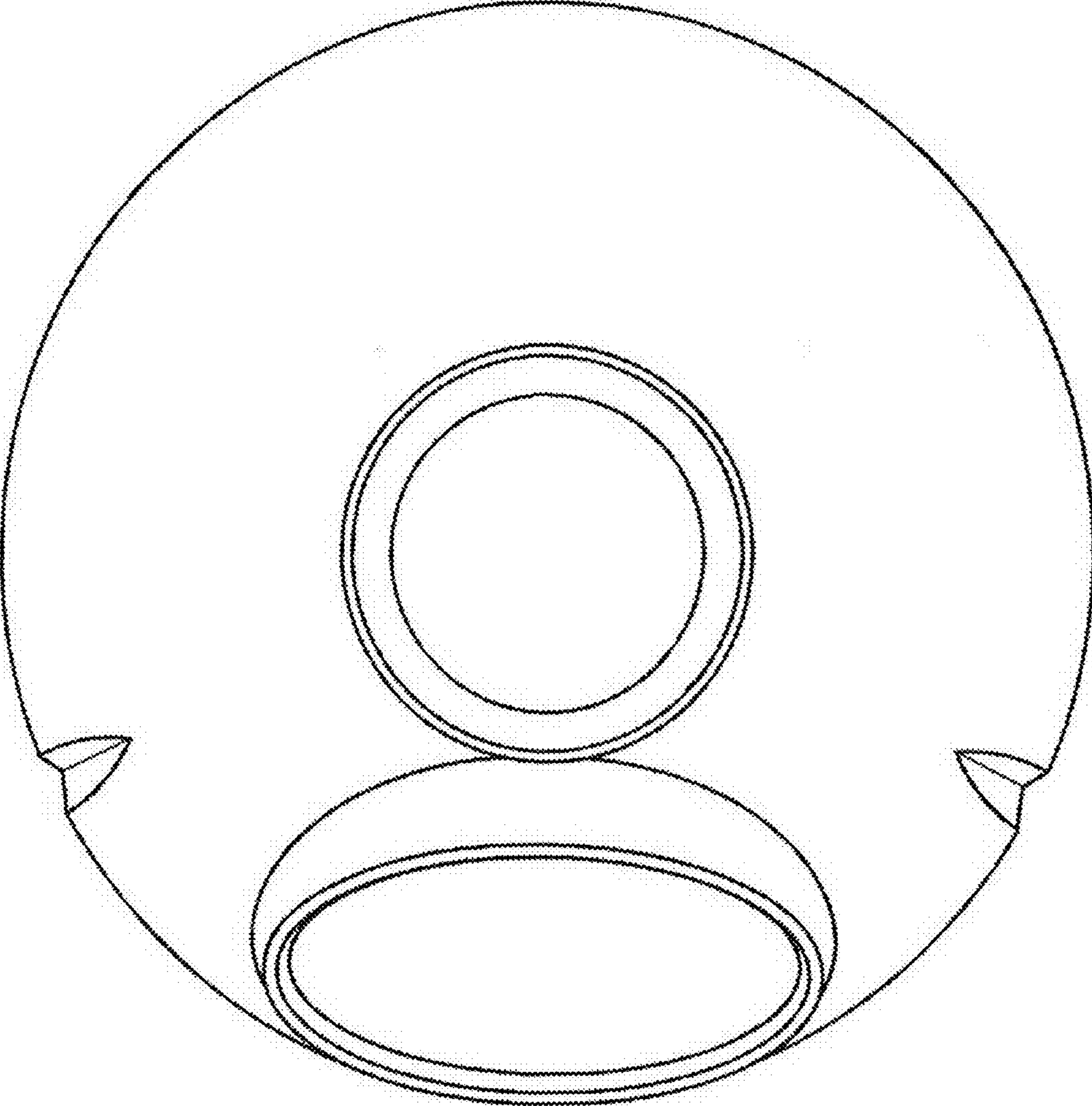
1 Claim, 6 Drawing Sheets



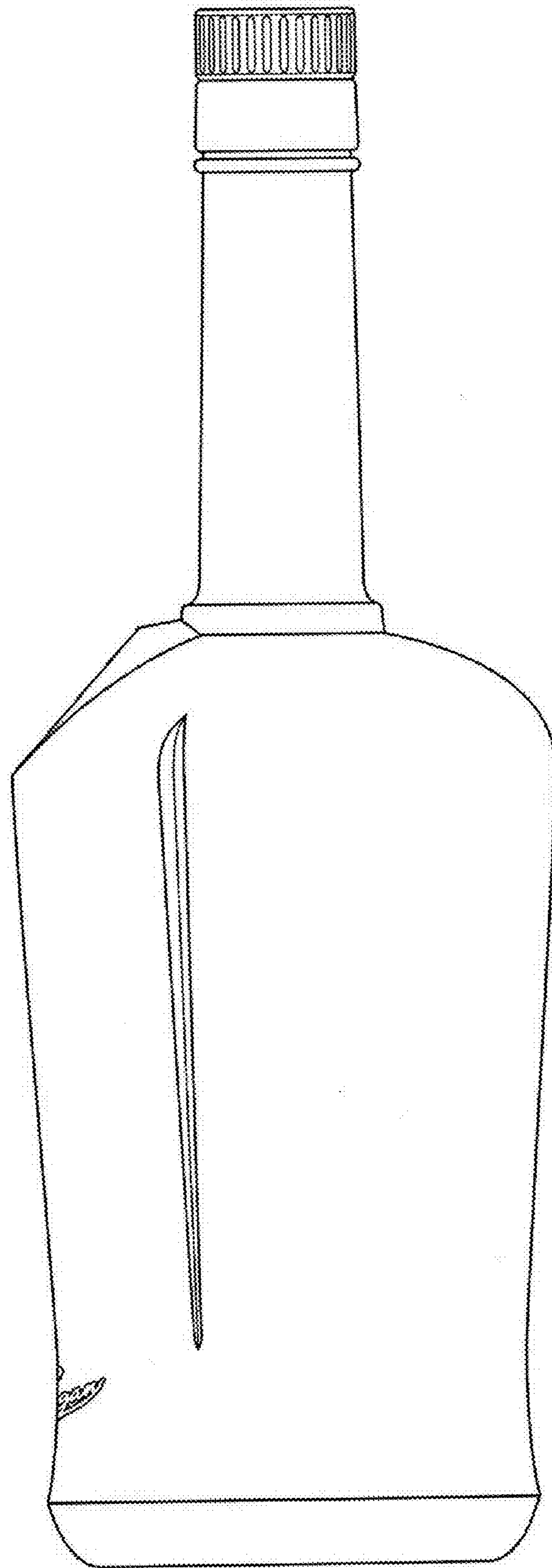
1.1



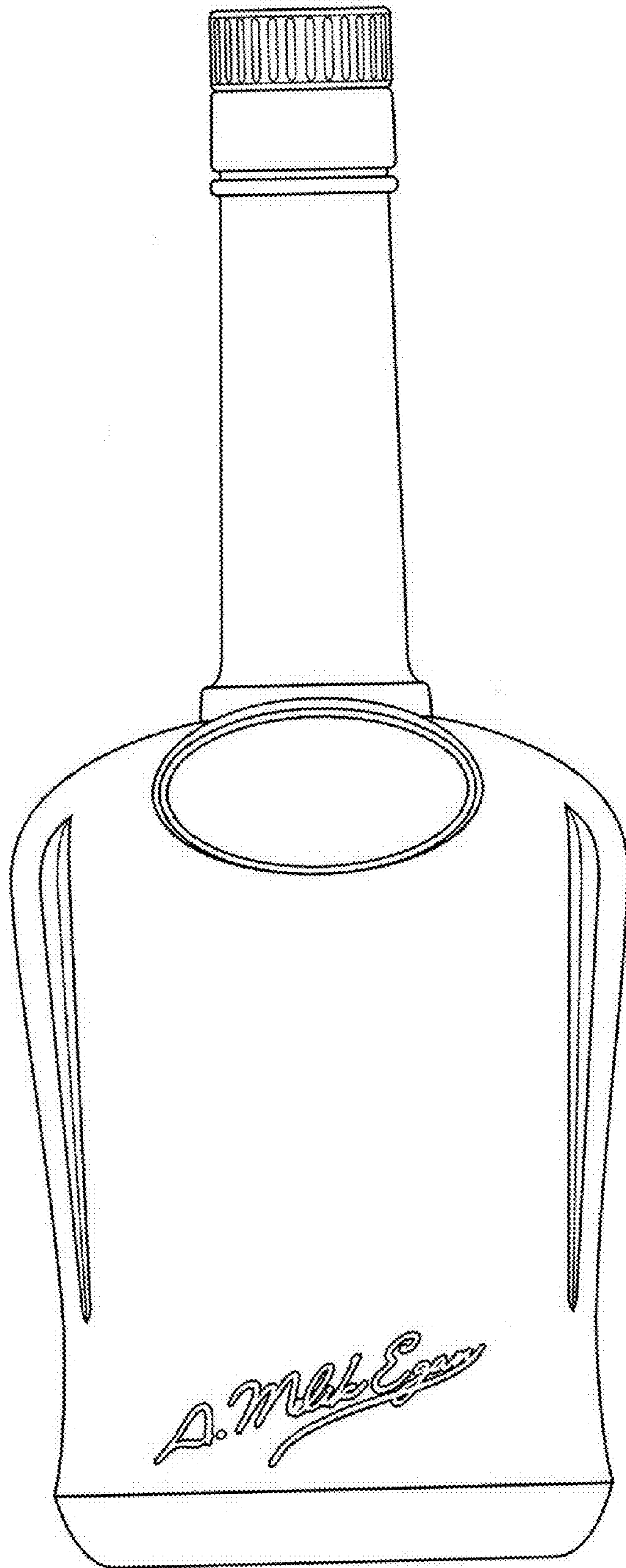
1.2



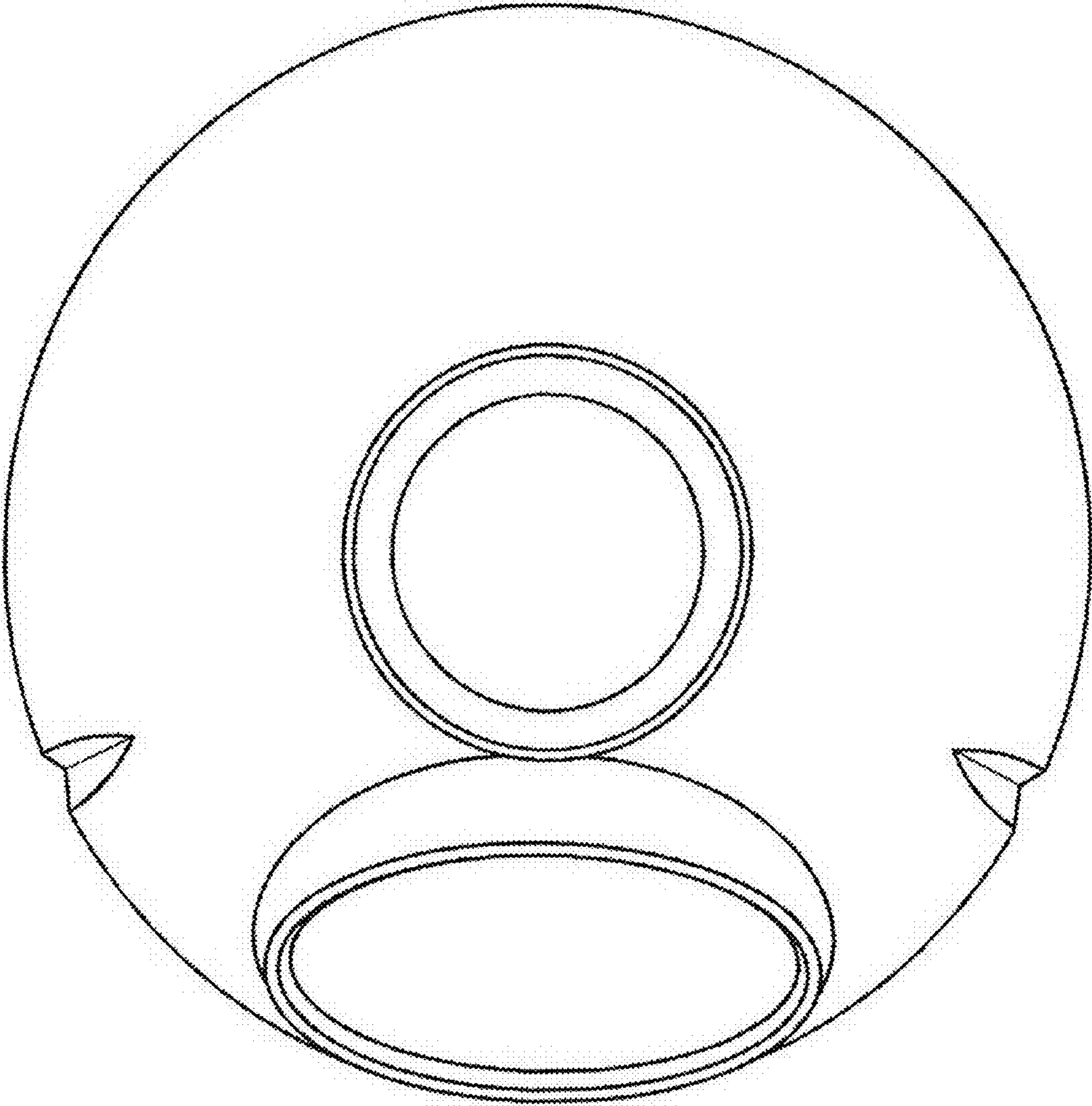
1.3



2.1



2.2



2.3

