



US00D774908S

(12) **United States Design Patent** (10) **Patent No.:** **US D774,908 S**
Eckstein et al. (45) **Date of Patent:** **** Dec. 27, 2016**

(54) **NOZZLE FOR SYRINGE**
(71) Applicant: **3M INNOVATIVE PROPERTIES COMPANY**, St. Paul, MN (US)
(72) Inventors: **Stefan Eckstein**, München (DE);
Andreas J. Boehm, Reichling (DE);
Marc Peuker, Schöndörf (DE)
(73) Assignee: **3M Innovative Properties Company**,
St. Paul, MN (US)

D287,877 S 1/1987 Holewinski
4,941,752 A 7/1990 Yant
D324,267 S * 2/1992 Smitt D24/112
D336,044 S * 6/1993 Miller D9/434
5,324,273 A 6/1994 Discko, Jr.
5,392,904 A 2/1995 Frick
D359,119 S * 6/1995 Dragan D24/114
D359,684 S * 6/1995 Duggan D9/436
D383,065 S * 9/1997 Eastling D9/447
D419,236 S 1/2000 Carlson
D420,287 S * 2/2000 Coppola D9/447
D421,121 S 2/2000 Prasad

(Continued)

(**) Term: **14 Years**

(21) Appl. No.: **29/504,525**

(22) Filed: **Oct. 7, 2014**

(30) **Foreign Application Priority Data**

Apr. 10, 2014 (EP) 1408751-1/3

(51) **LOC (10) Cl.** **09-07**

(52) **U.S. Cl.**
USPC **D9/447; D24/130**

(58) **Field of Classification Search**
USPC D7/300, 300.1, 300.2, 303, 313, 317,
D7/602, 387, 509, 510, 511, 538; D9/434,
D9/435, 436, 439, 440, 441, 442, 443,
D9/444, 445, 446, 447, 448, 449, 450,
D9/451, 452, 453, 454, 499; D24/112,
D24/114, 130, 152, 156, 176
CPC B65D 41/26; B65D 41/32; B65D 59/06;
B65D 47/0814; B65D 47/2031; B65D
51/249; B65D 2251/1066; B65D 41/02;
B65D 23/00; B65D 39/08; B67D 3/0032;
A47G 19/26; A47G 19/2266; B65F 1/14
See application file for complete search history.

(56) **References Cited**

U.S. PATENT DOCUMENTS

2,781,312 A * 2/1957 Klumb B01J 47/002
210/266
3,739,947 A 6/1973 Baumann

OTHER PUBLICATIONS

Tetric EvoCeram & Tetric EvoFlow®, Ivoclar Vivodent, Oct. 29,
2013, 10 pages.

(Continued)

Primary Examiner — Robert M Spear
Assistant Examiner — Marissa J Cash

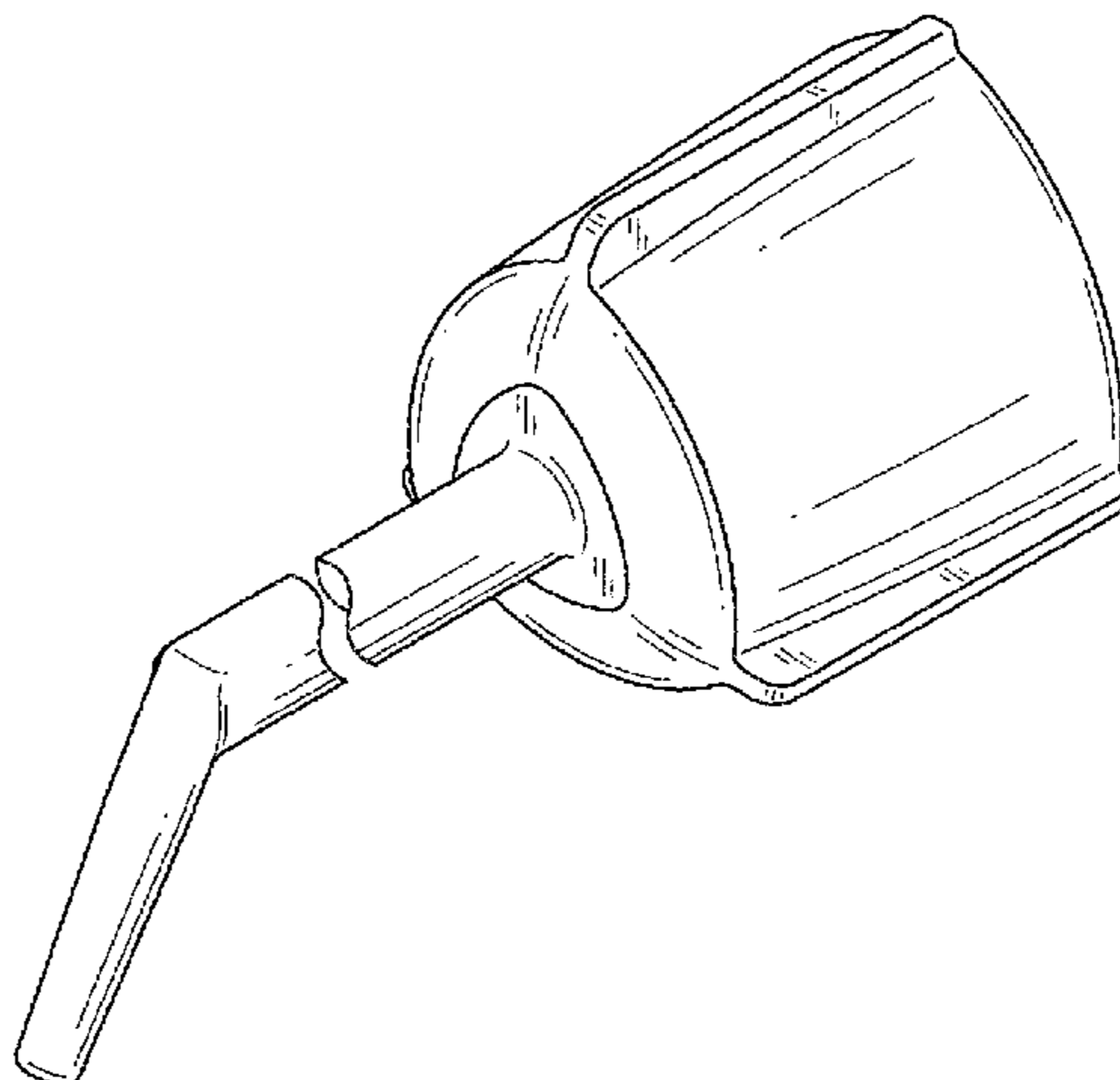
(57) **CLAIM**

The ornamental design for a nozzle for syringe, as shown
and described.

DESCRIPTION

FIG. 1 is a perspective view of a nozzle for a syringe
showing the new design for a nozzle for syringe;
FIG. 2 is a right side view thereof, the left side view being
a mirror image thereof;
FIG. 3 is a top view thereof;
FIG. 4 is a bottom view thereof;
FIG. 5 is a front view thereof; and,
FIG. 6 is a rear view thereof.
The nozzle for syringe is shown with a symbolic break at its
length. The appearance of any portion of the article between
the break lines forms no part of the claimed design. The
portions of the nozzle for syringe in FIGS. 1-6 shown in
broken lines are included to show features that form no part
of the claimed design.

1 Claim, 2 Drawing Sheets



(56)

References Cited

U.S. PATENT DOCUMENTS

D438,954 S * 3/2001 Orsing D24/112
 D457,626 S * 5/2002 Farris D24/112
 D469,869 S * 2/2003 Farris D24/112
 D472,323 S 3/2003 Sand
 D480,643 S * 10/2003 Dretzka D6/542
 6,884,071 B2 4/2005 Martin
 D507,722 S * 7/2005 Rockhill D7/300.2
 D534,425 S * 1/2007 Kuo D6/542
 D575,570 S * 8/2008 Antonelli D7/300.2
 7,562,792 B2 7/2009 Nisbet
 D605,037 S * 12/2009 Schrimpf D9/447
 D625,602 S * 10/2010 Schrimpf D9/447
 D645,958 S 9/2011 Assmann
 D672,873 S 12/2012 An
 D681,808 S 5/2013 Holaschke
 D690,813 S 10/2013 Bizzell
 D693,940 S 11/2013 Walter
 D695,114 S * 12/2013 McDonald D9/440
 D696,787 S 12/2013 Walter
 D698,918 S 2/2014 Leiner
 D722,846 S * 2/2015 Bacich D8/14.1
 D728,781 S * 5/2015 Pierson D24/112
 D733,908 S * 7/2015 Eckstein D24/220
 D734,490 S * 7/2015 Eckstein D24/220
 D735,350 S * 7/2015 Eckstein D24/220
 D739,550 S * 9/2015 Eckstein D24/220
 D742,174 S * 11/2015 Roth D7/300.2
 2009/0042162 A1 * 2/2009 Pond A61C 17/0202
 433/80

2010/0032432 A1 * 2/2010 Stull, Sr. B65D 51/1616
 220/257.1
 2010/0240004 A1 9/2010 Zalsman
 2011/0114668 A1 5/2011 Bublewitz
 2013/0101955 A1 4/2013 Broyles
 2013/0260335 A1 10/2013 Peuker

OTHER PUBLICATIONS

Tetric EvoCeram® Bulk Fill, Nano-Hybrid Composite with Ivocerin, Ivoclar Vivodent©, 2013, 6 pages.
 U.S. Appl. No. 29/486,556, to Eckstein, et al., filed Mar. 31, 2014, entitled *Mixing Tip*.
 U.S. Appl. No. 29/486,560, to Eckstein, et al., filed Mar. 31, 2014, entitled *Mixing Tip*.
 U.S. Appl. No. 29/486,601, to Eckstein, et al., filed Apr. 1, 2014, entitled *Plunger*.
 U.S. Appl. No. 29/486,602, to Eckstein, et al., filed Apr. 1, 2014, entitled *Mixing Tip*.
 U.S. Appl. No. 29/486,605, to Eckstein, et al., filed Apr. 1, 2014, entitled *Plunger*.
 U.S. Appl. No. 29/486,607, to Eckstein, et al., filed Apr. 1, 2014, entitled *Mixing Tip*.
 U.S. Appl. No. 29/483,994, to Broyles, filed Mar. 5, 2014, entitled *Flowable Syringe*.
 U.S. Appl. No. 29/504,529, to Eckstein, filed Oct. 7 2014, entitled *Nozzle for Syringe*; and.
 U.S. Appl. No. 29/504,531, to Eckstein, filed Oct. 7 2014, entitled *Nozzle for Syringe*.

* cited by examiner

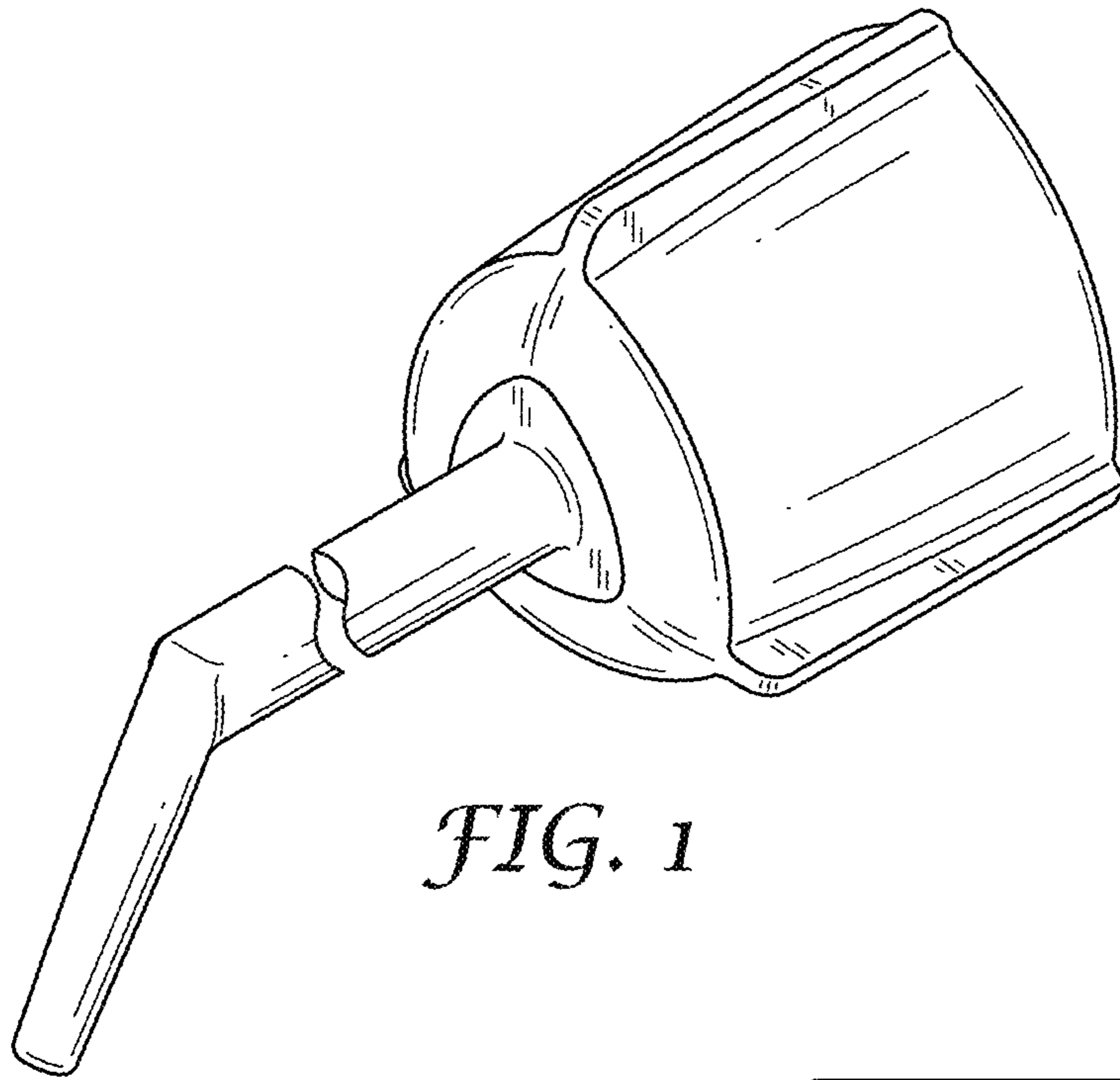


FIG. 1

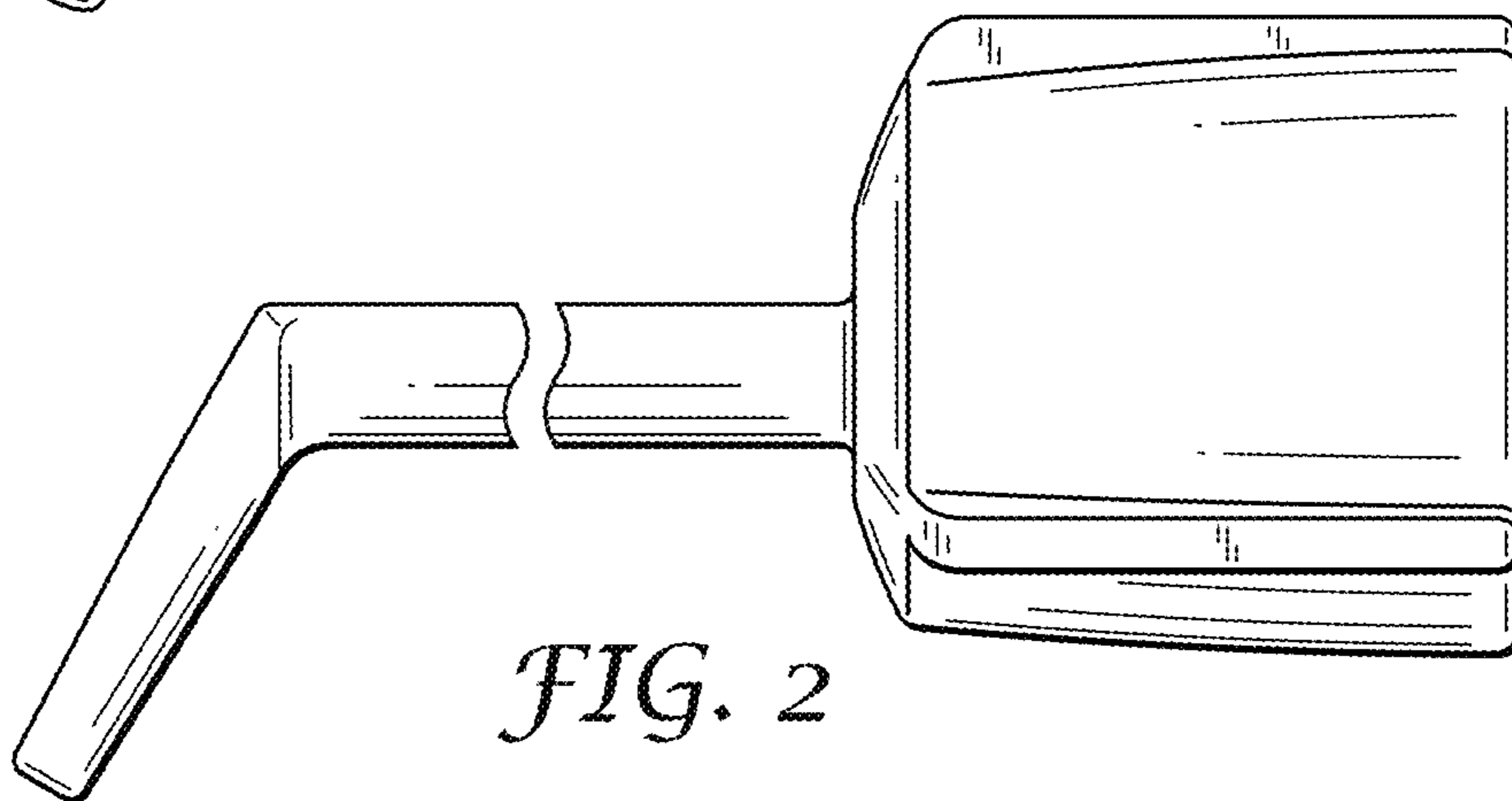


FIG. 2

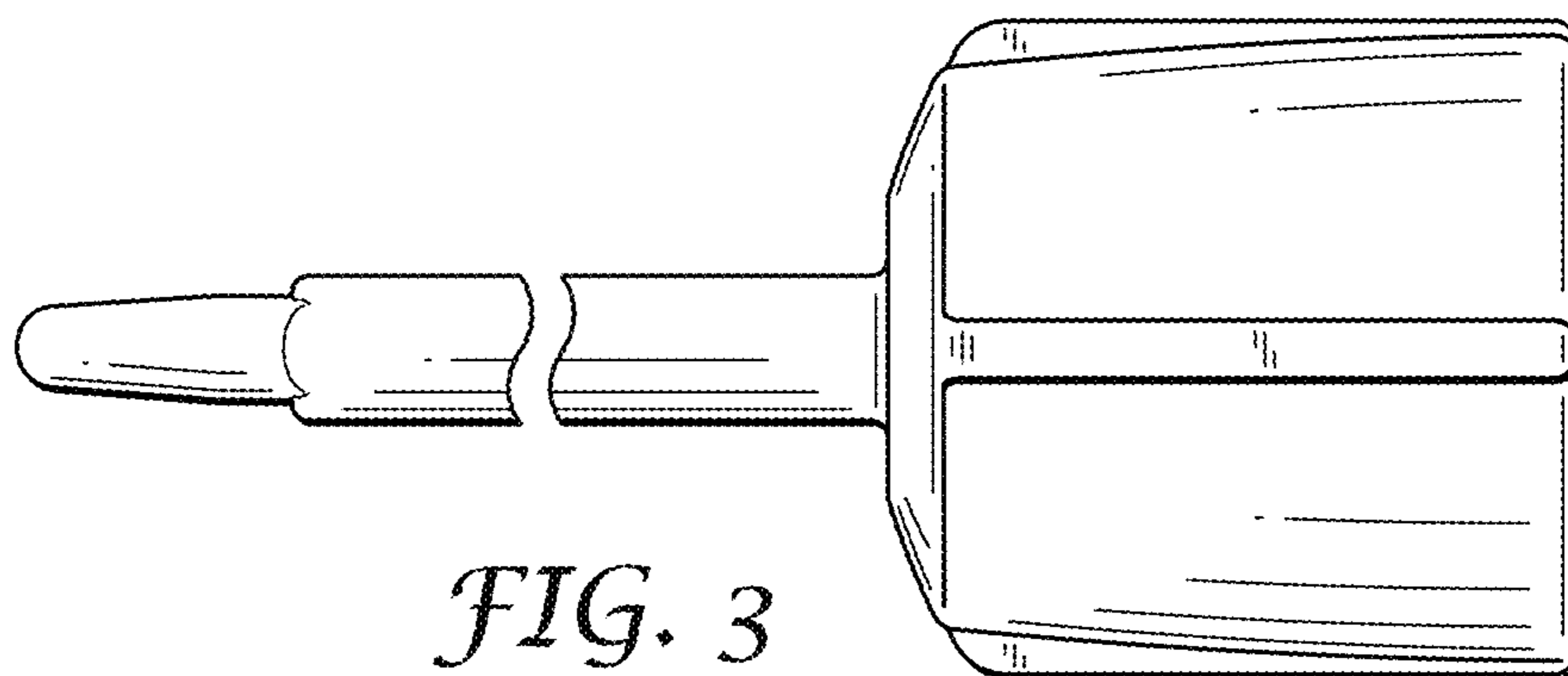


FIG. 3

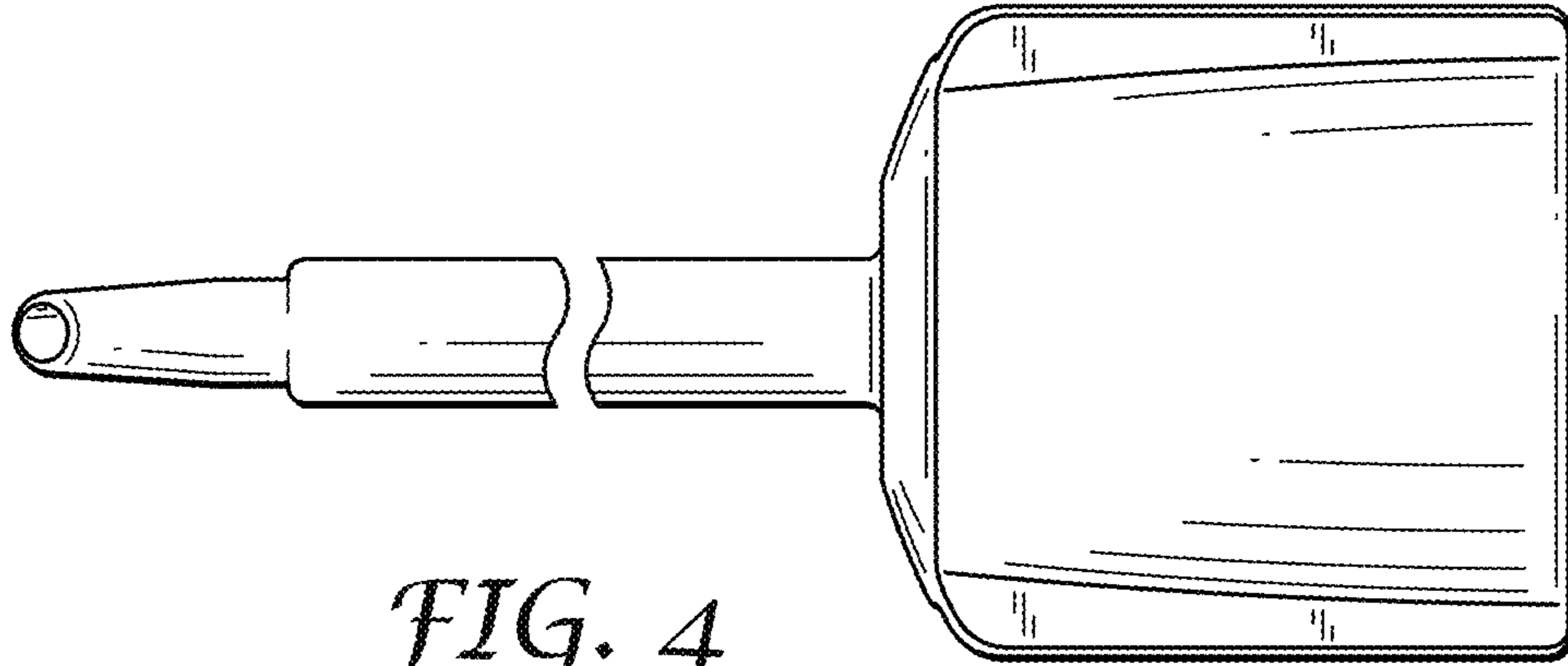


FIG. 4

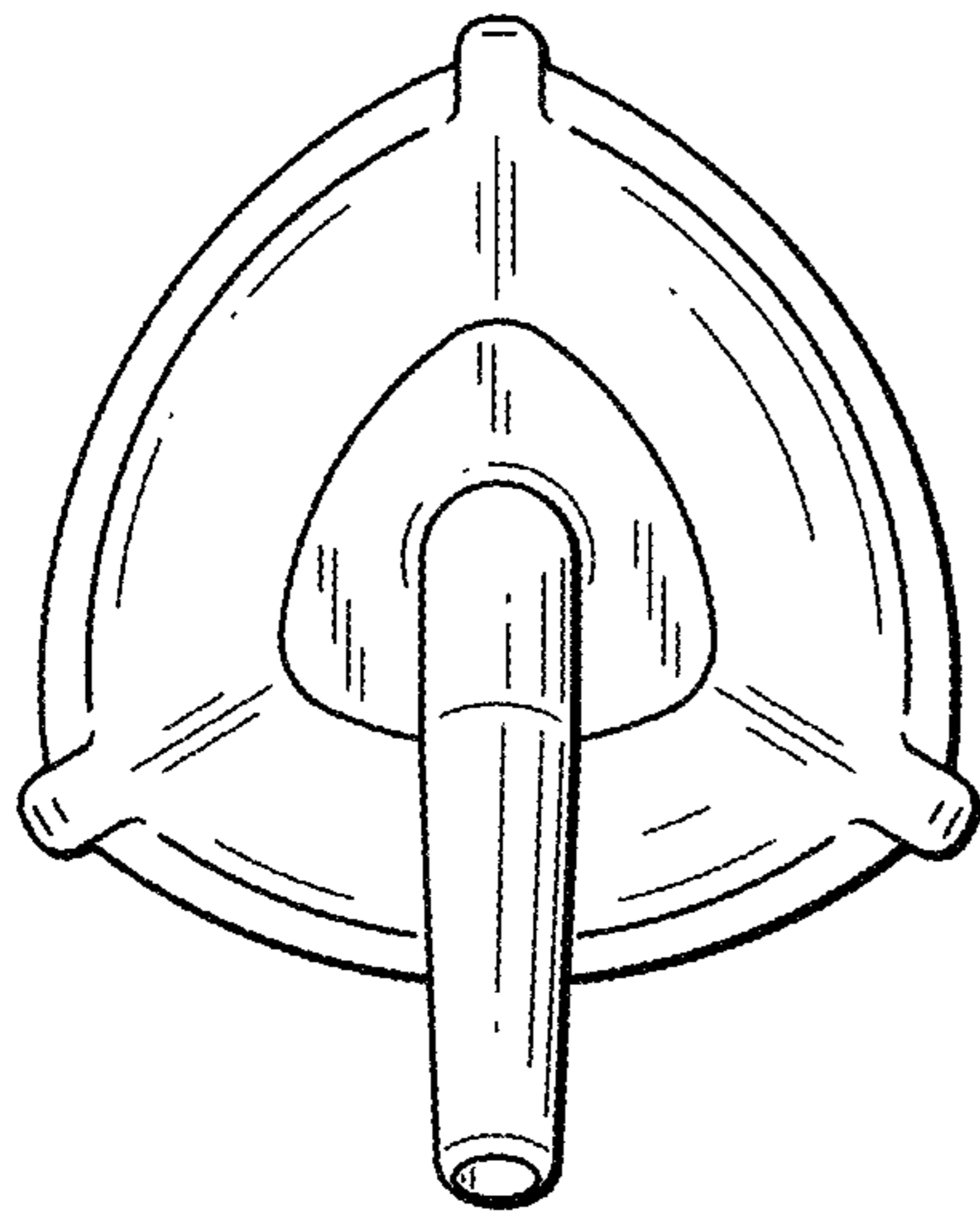


FIG. 5

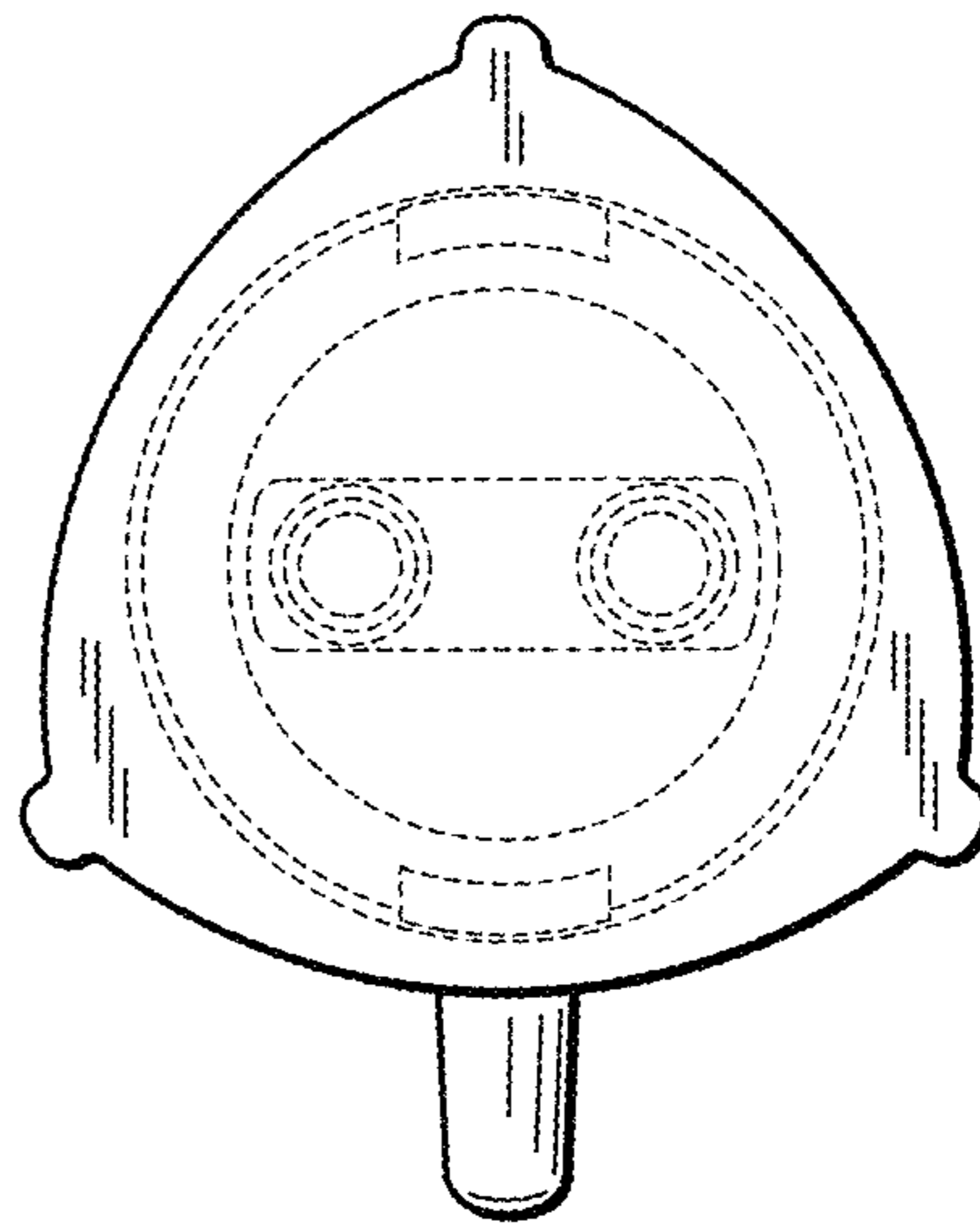


FIG. 6