



US00D774905S

(12) **United States Design Patent**
Smith

(10) **Patent No.:** **US D774,905 S**

(45) **Date of Patent:** **** Dec. 27, 2016**

(54) **GLOVE DISPENSER**

(71) Applicant: **Peter Smith**, Thomaston, GA (US)

(72) Inventor: **Peter Smith**, Thomaston, GA (US)

(**) Term: **14 Years**

(21) Appl. No.: **29/512,422**

(22) Filed: **Dec. 18, 2014**

(51) **LOC (10) Cl.** **09-03**

(52) **U.S. Cl.**
USPC **D9/432; D6/515**

(58) **Field of Classification Search**
USPC D9/414-418, 420-427, 430-434, 634,
D9/721, 783-744, 751, 753, 756, 759,
D9/760; D3/272, 273, 302, 304, 309, 315;
D7/601, 602, 609, 619.1, 630; D6/515
CPC B65D 5/00-5/02; B65D 5/0209-5/0272;
B65D 5/029; B65D 5/40; B65D
5/72; B65D 5/727
See application file for complete search history.

(56) **References Cited**

U.S. PATENT DOCUMENTS

D157,575 S *	3/1950	Edelmann	D9/759
3,115,247 A *	12/1963	Hauser	B65D 5/38
				192/105 BA
D351,344 S *	10/1994	Blott	D9/415
7,028,839 B2 *	4/2006	Belloli	B31B 3/26
				206/443
D624,661 S *	9/2010	Himmelsbach	D24/230

D653,767 S *	2/2012	Lovshe	D24/230
D664,043 S *	7/2012	Hofmann	D9/751
D697,433 S *	1/2014	Pong	D9/432
D703,527 S *	4/2014	Fuller	D9/418
D723,023 S *	2/2015	Miles	D14/253
D751,891 S *	3/2016	Solovov, Jr.	D9/414

* cited by examiner

Primary Examiner — Vy Koenig

(74) *Attorney, Agent, or Firm* — Dunlap Bennett & Ludwig PLLC

(57) **CLAIM**

The ornamental design for a glove dispenser, as shown and described.

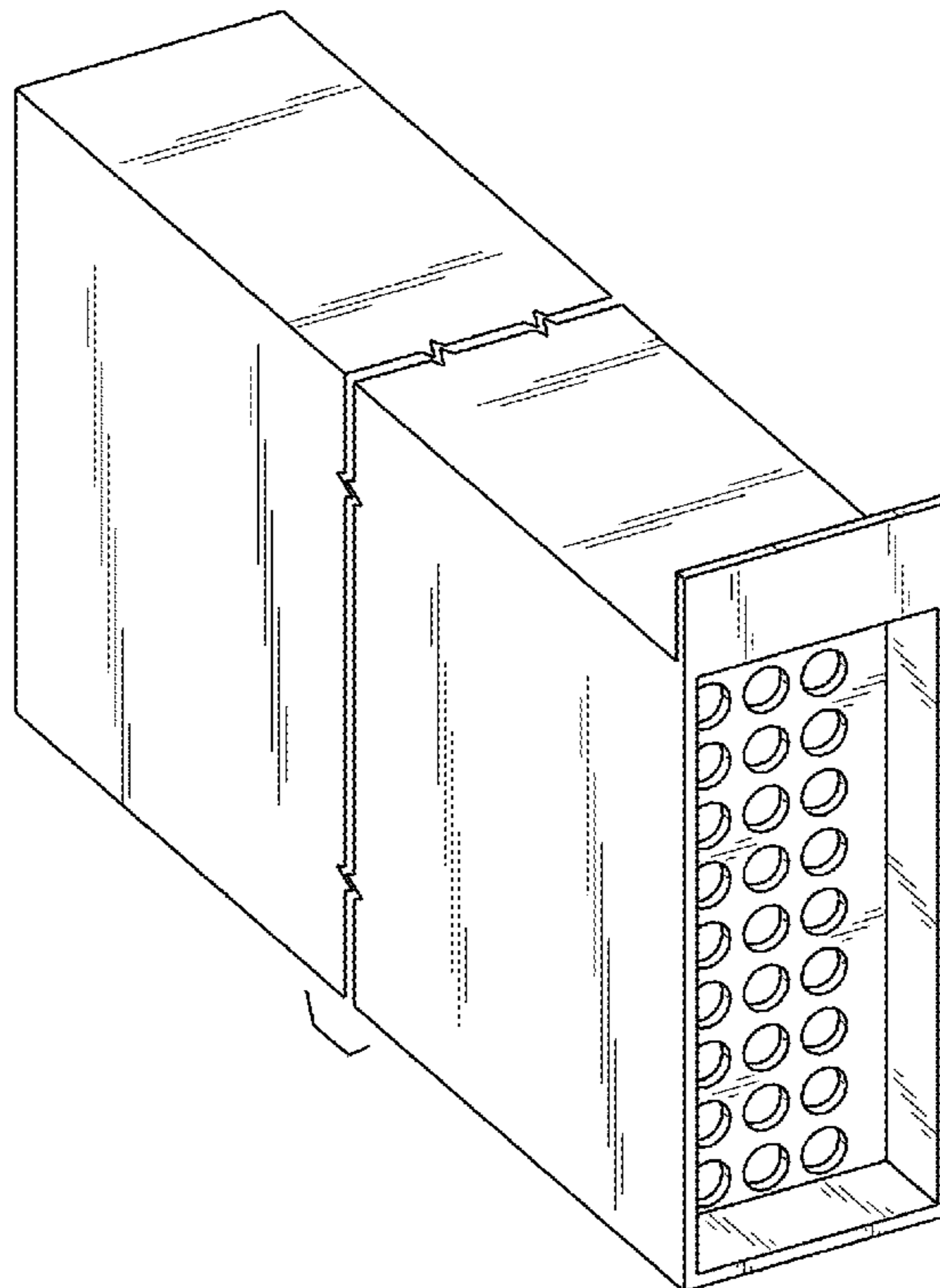
DESCRIPTION

FIG. 1 is a front perspective view of a glove dispenser; FIG. 2 is a front elevation view of the glove dispenser; FIG. 3 is a rear elevation view of the glove dispenser; FIG. 4 is a left side elevation view of the glove dispenser; the right side elevation view being a mirror image thereof; FIG. 5 is a top plan view of the glove dispenser; FIG. 6 is a bottom plan view of the glove dispenser; and, FIG. 7 is a left side elevation view of the glove dispenser, with dispenser items shown in broken lines.

The broken lines shown in the drawings illustrate environment, specifically dispenser items, that form no part of the claimed design.

The appearance of any portion of the glove dispenser between the symbolic break lines shown in FIGS. 1 and 4-7 form no part of the claimed design.

1 Claim, 4 Drawing Sheets



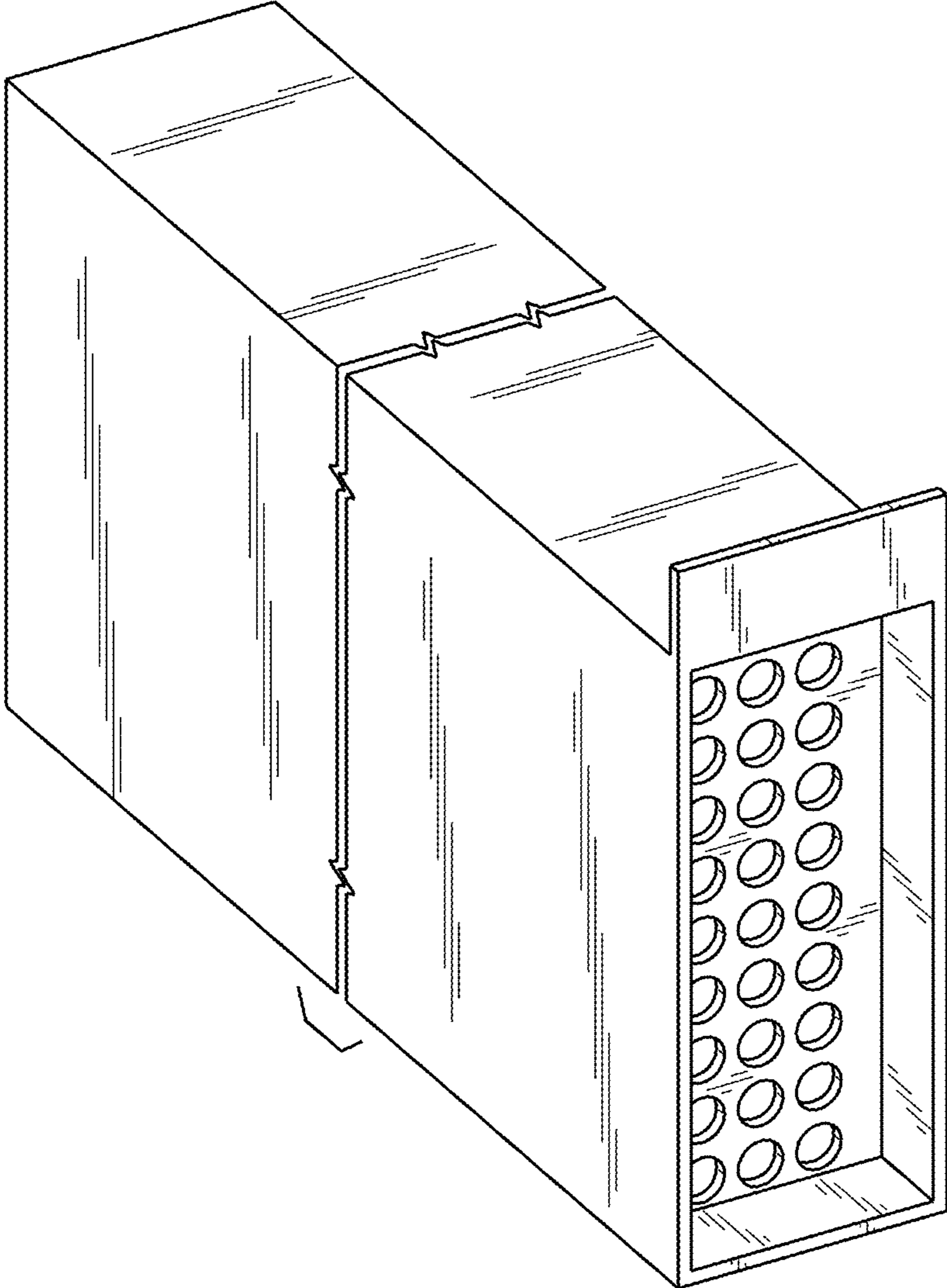


FIG. 1

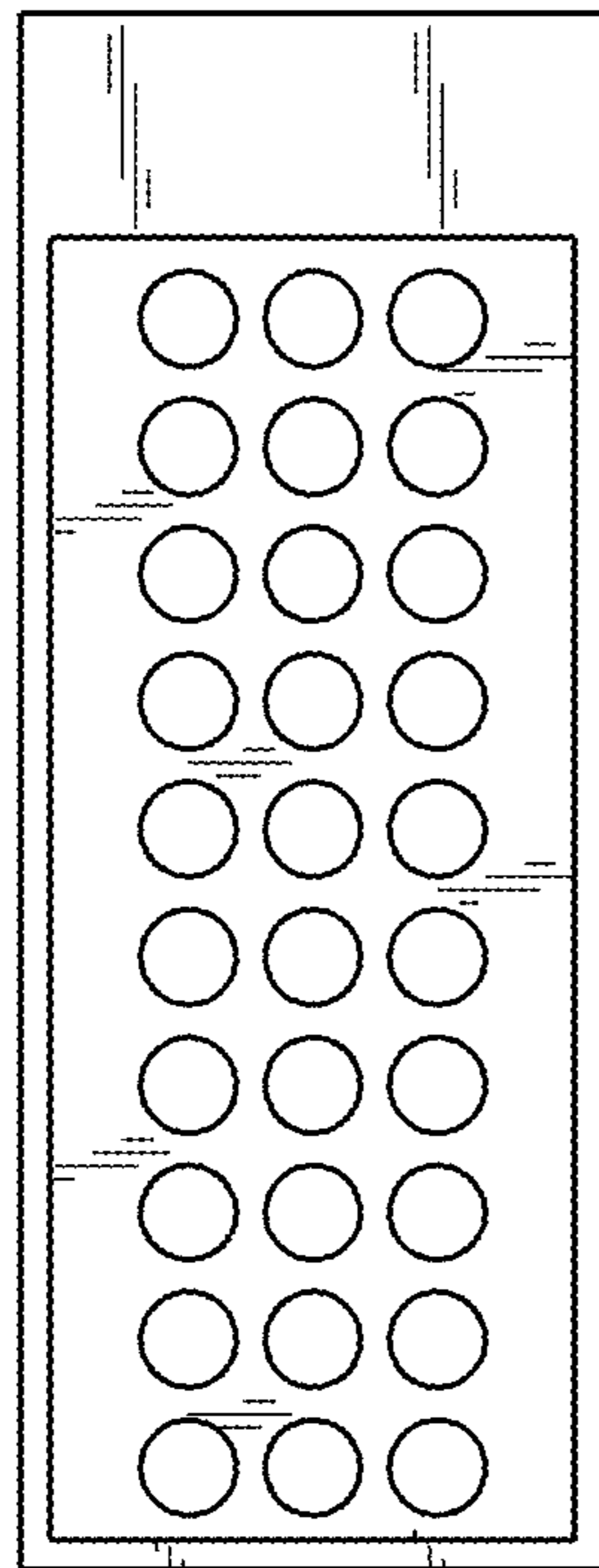


FIG. 2

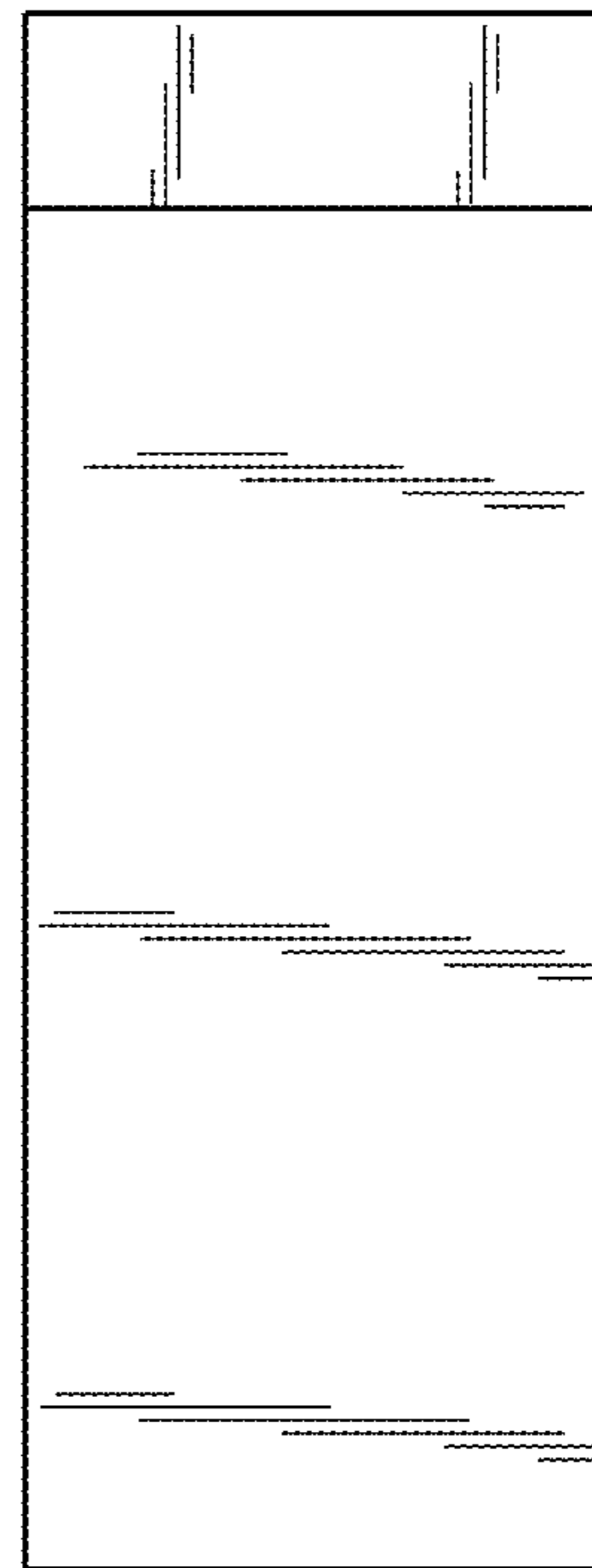


FIG. 3

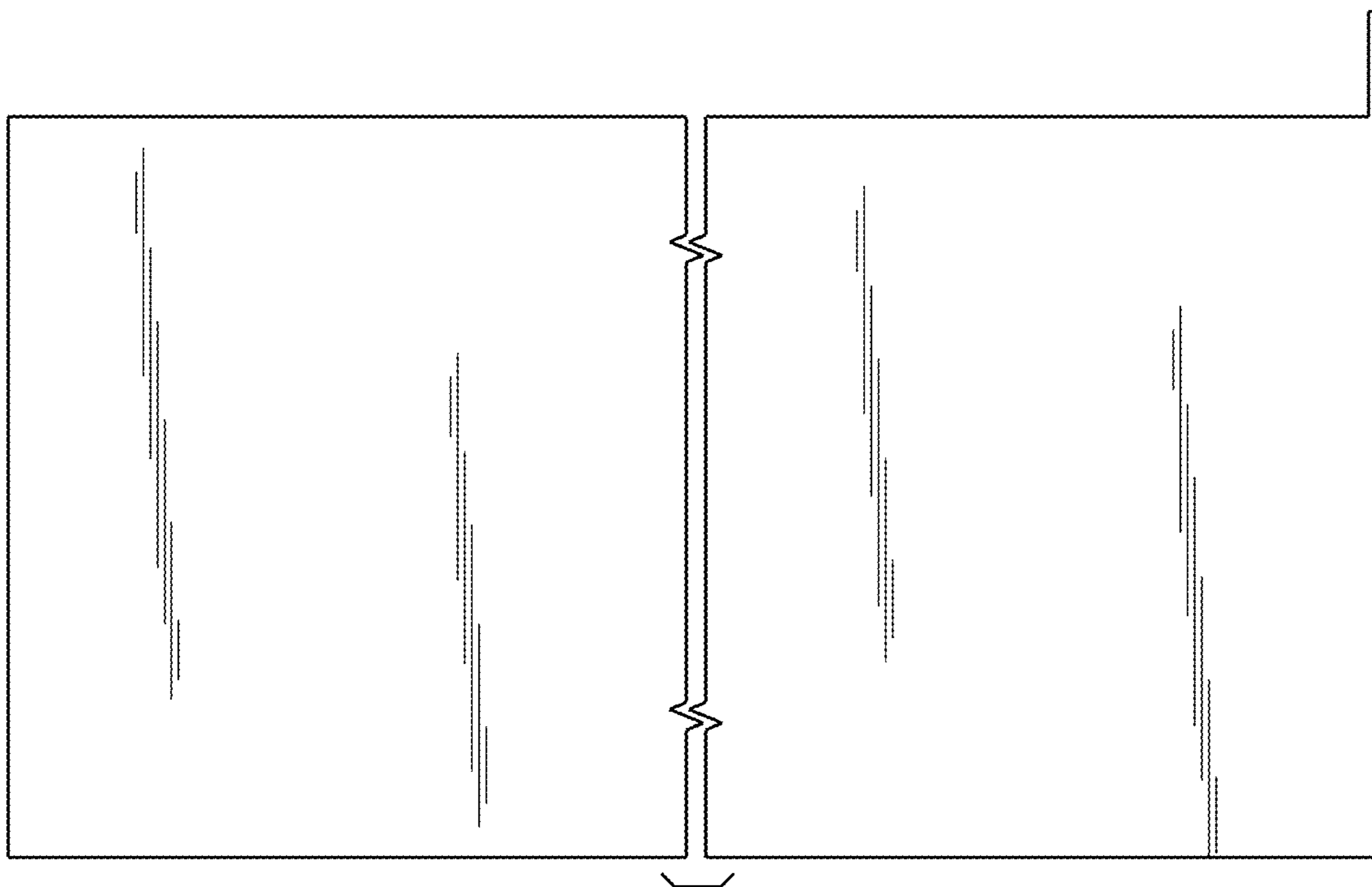


FIG. 4

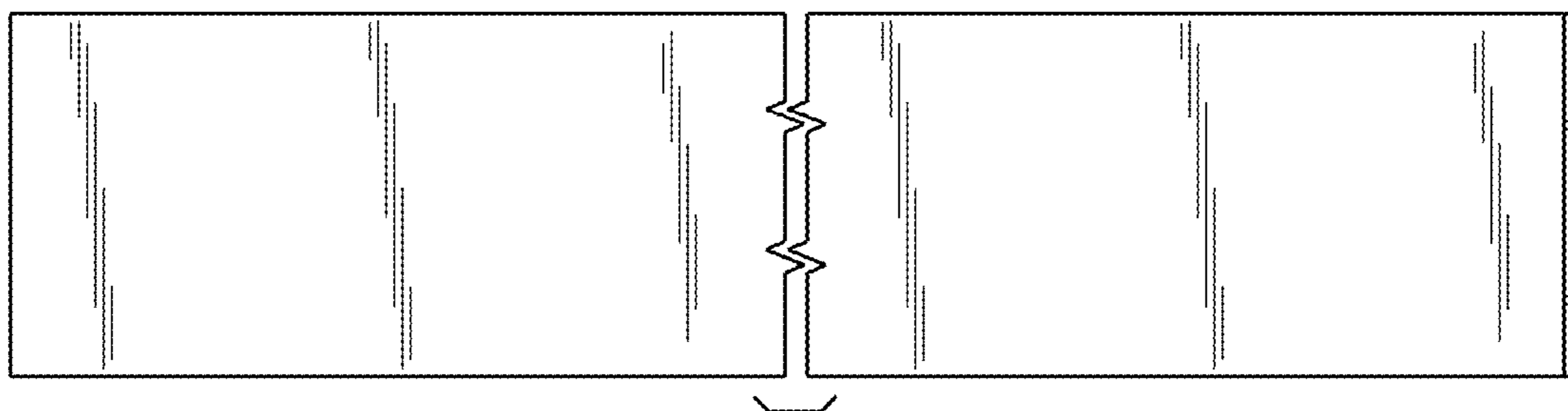


FIG. 5

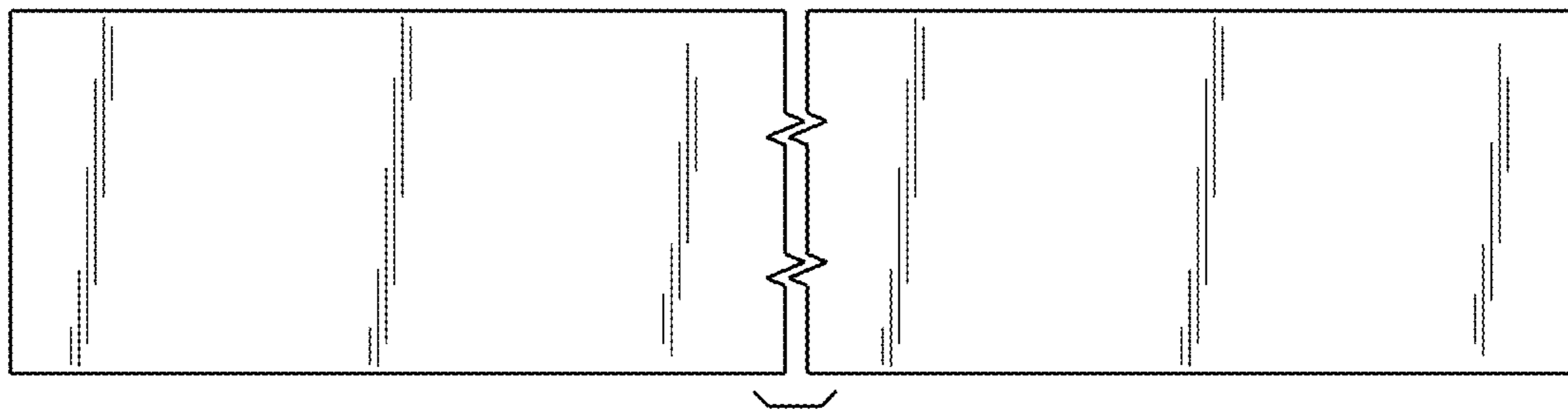


FIG. 6

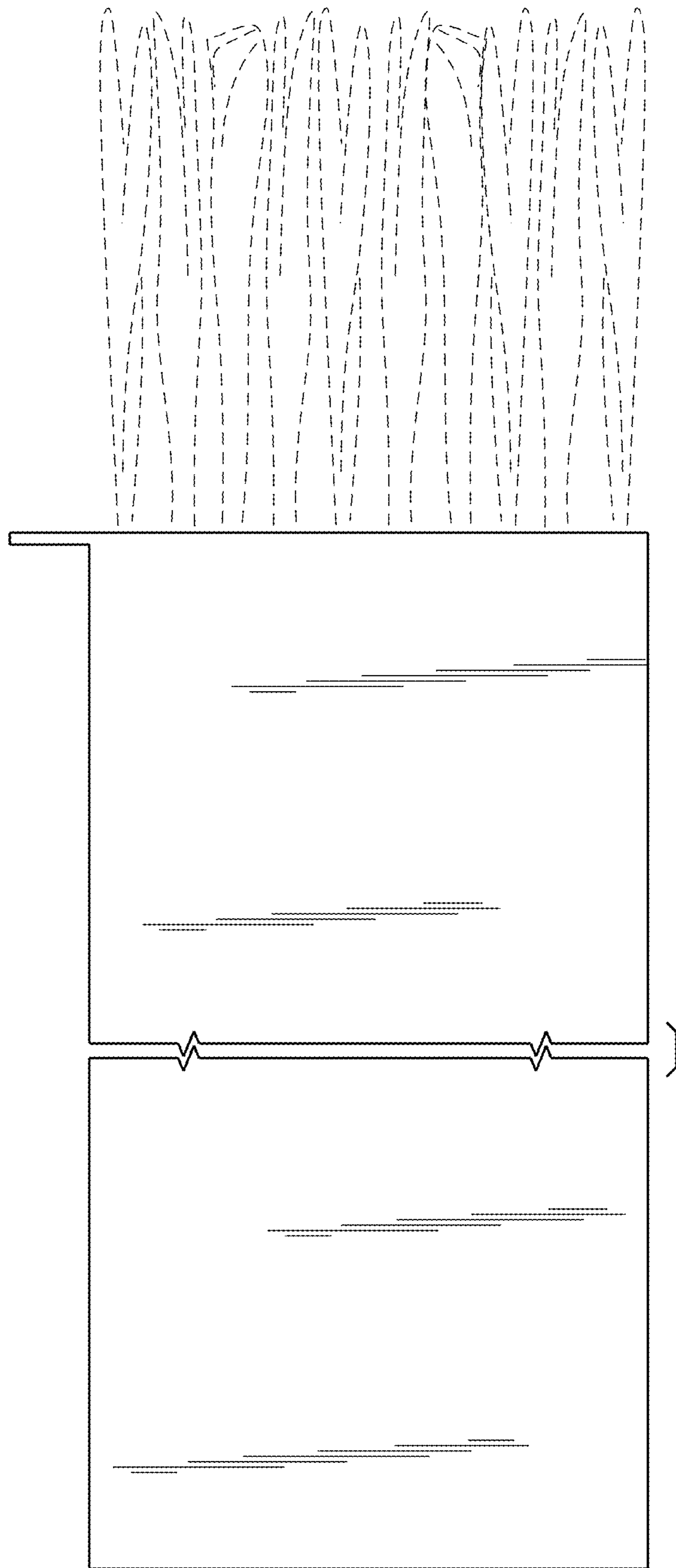


FIG. 7