



US00D774904S

(12) **United States Design Patent** (10) **Patent No.:** **US D774,904 S**
Elston (45) **Date of Patent:** **** Dec. 27, 2016**

(54) **COLLAR CONTAINER**
(71) Applicant: **Stephen Elston**, Ormond Beach, FL (US)
(72) Inventor: **Stephen Elston**, Ormond Beach, FL (US)
(**) Term: **15 Years**
(21) Appl. No.: **29/534,043**
(22) Filed: **Jul. 24, 2015**
(51) **LOC (10) Cl.** **09-03**
(52) **U.S. Cl.**
USPC **D9/428**; D3/201
(58) **Field of Classification Search**
USPC D3/201, 203.1, 203.2, 203.6, 205, 273,
D3/302; D9/414, 424, 426, 428; D28/82;
132/293; 206/6.1, 581, 823; 220/811-813
CPC A24F 23/00; A61J 1/00; B65D 43/02;
B65D 53/00
See application file for complete search history.

D688,938 S * 9/2013 Bailey D9/428
D708,065 S * 7/2014 Pourian D9/529
2006/0000742 A1* 1/2006 Consulich A45D 33/006
206/581

OTHER PUBLICATIONS

Triple Disc Clamshell Packaging, announced Nov. 2006, [online], site visited Sep. 26, 2016. Available from Internet, <URL: <http://www.tripledisc.com>>.*

* cited by examiner

Primary Examiner — Ian Simmons
Assistant Examiner — Janice Lim
(74) *Attorney, Agent, or Firm* — Allen Dyer Doppelt
Milbrath & Gilchrist

(57) **CLAIM**

The ornamental design for a collar container, as shown.

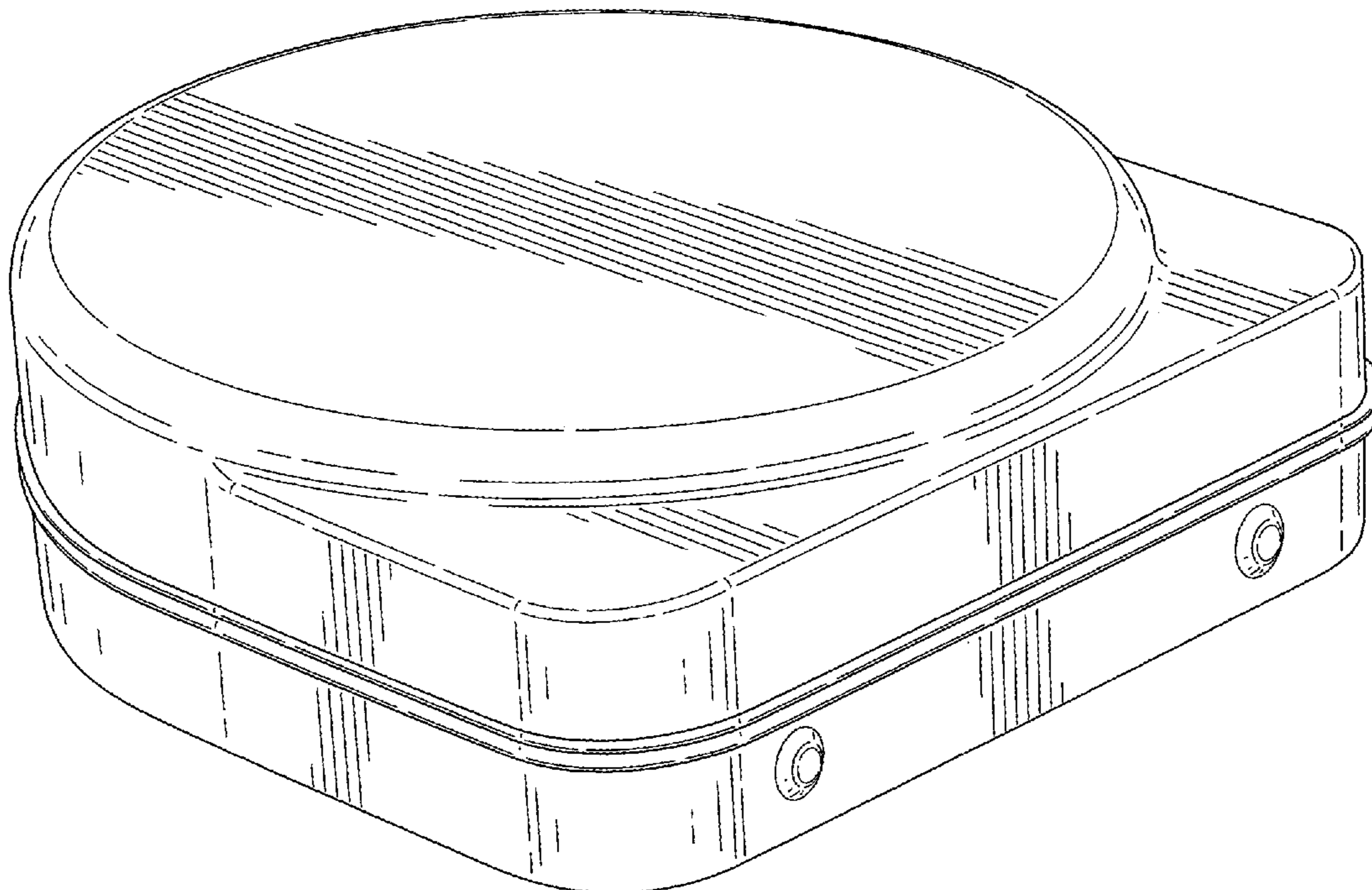
DESCRIPTION

FIG. 1 is a front, right, bottom perspective view of a collar container, showing my new design;
FIG. 2 is a front view thereof;
FIG. 3 is a back view thereof;
FIG. 4 is a right side view thereof;
FIG. 5 is a left side view thereof;
FIG. 6 is a top view thereof; and,
FIG. 7 is a bottom view thereof.

1 Claim, 5 Drawing Sheets

(56) **References Cited**
U.S. PATENT DOCUMENTS

D502,807 S * 3/2005 Jaron D3/273
D503,831 S * 4/2005 Ames D28/78
D527,627 S * 9/2006 Liebe D9/428
D531,025 S * 10/2006 Tanner D9/426
D540,038 S * 4/2007 Hussaini D3/201
D570,098 S * 6/2008 Luzon D3/205
D609,009 S * 2/2010 Schaal D3/294



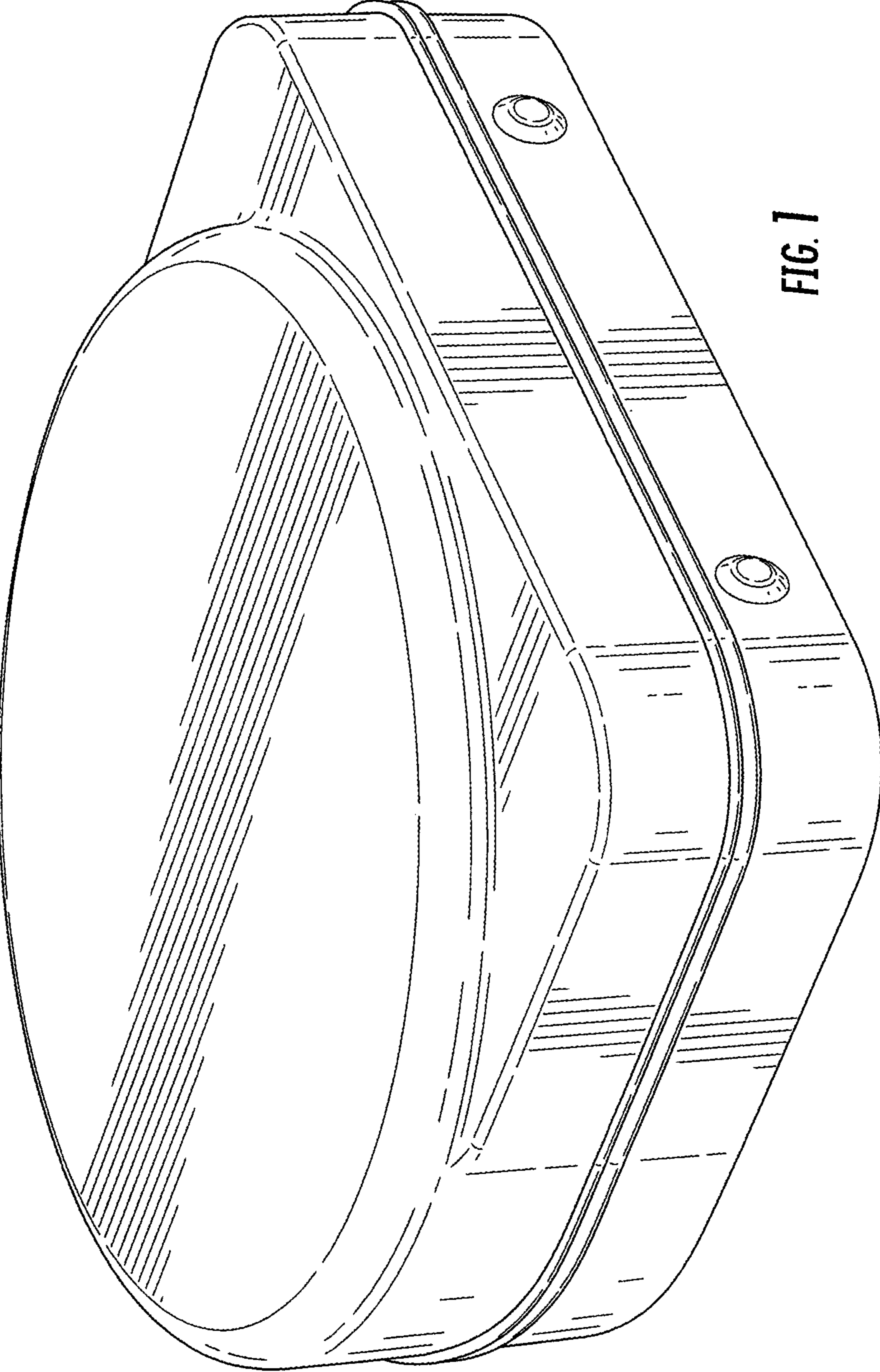


FIG. 1

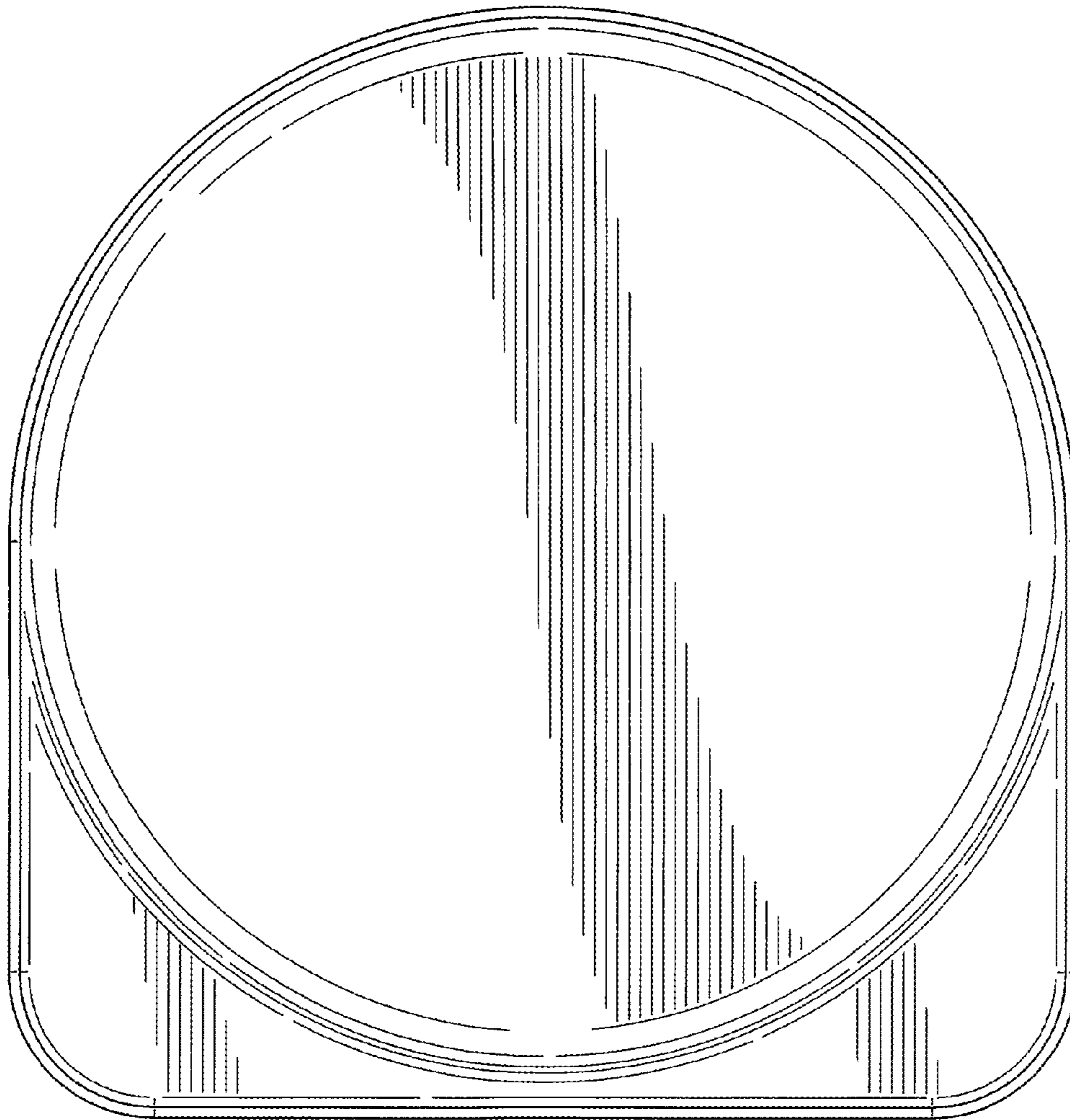


FIG. 2

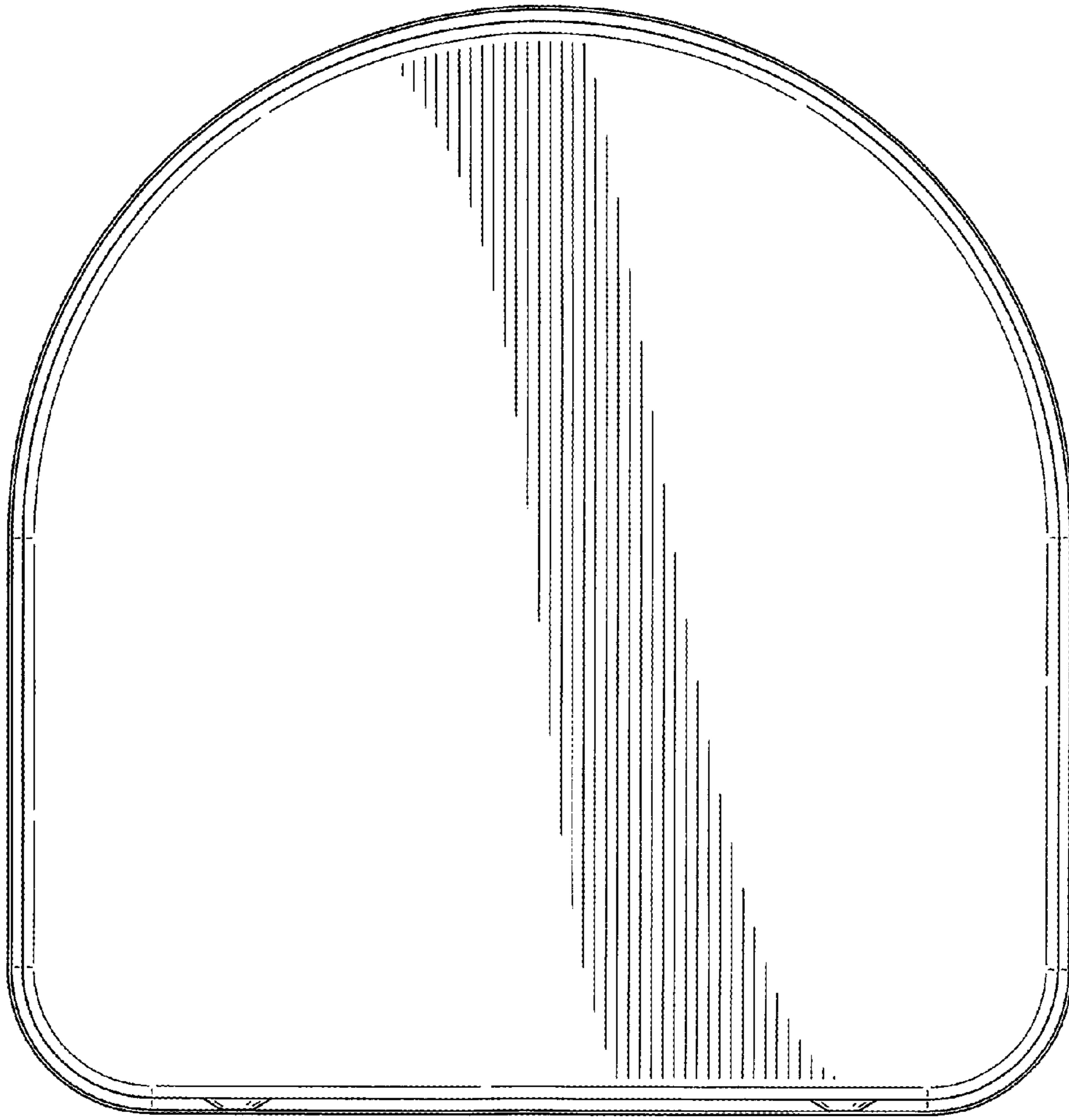


FIG. 3

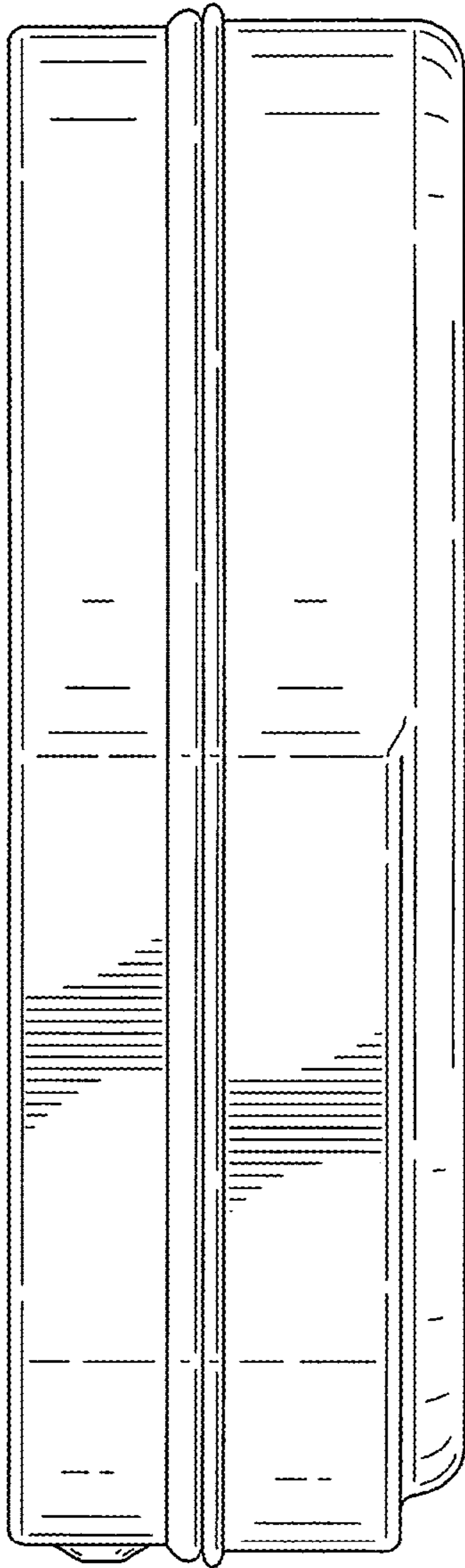


FIG. 4

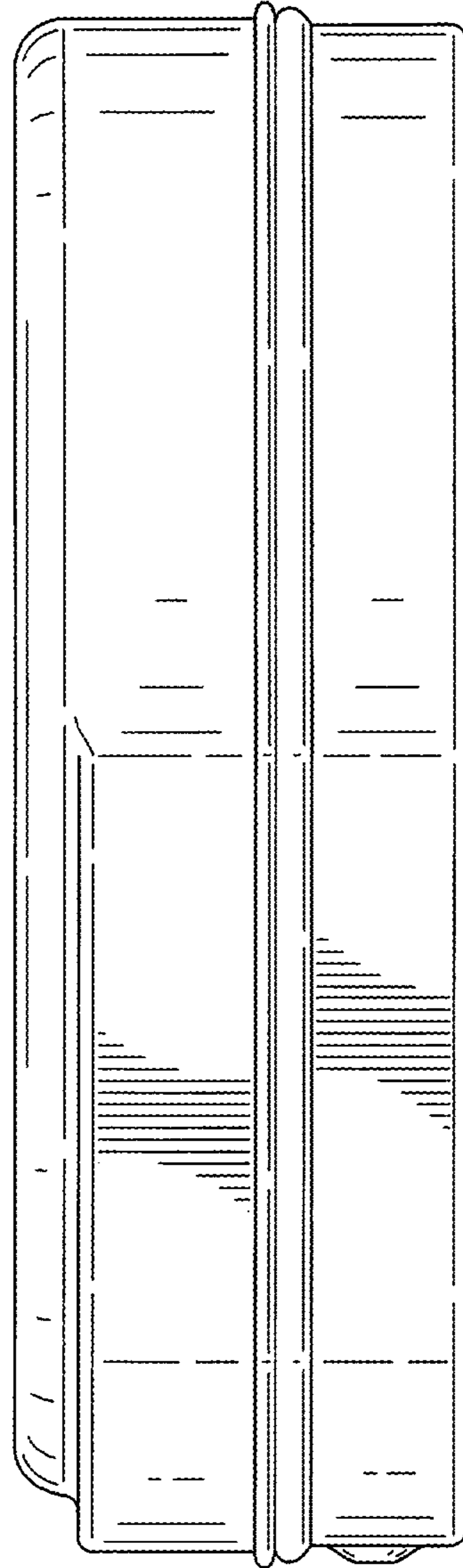


FIG. 5

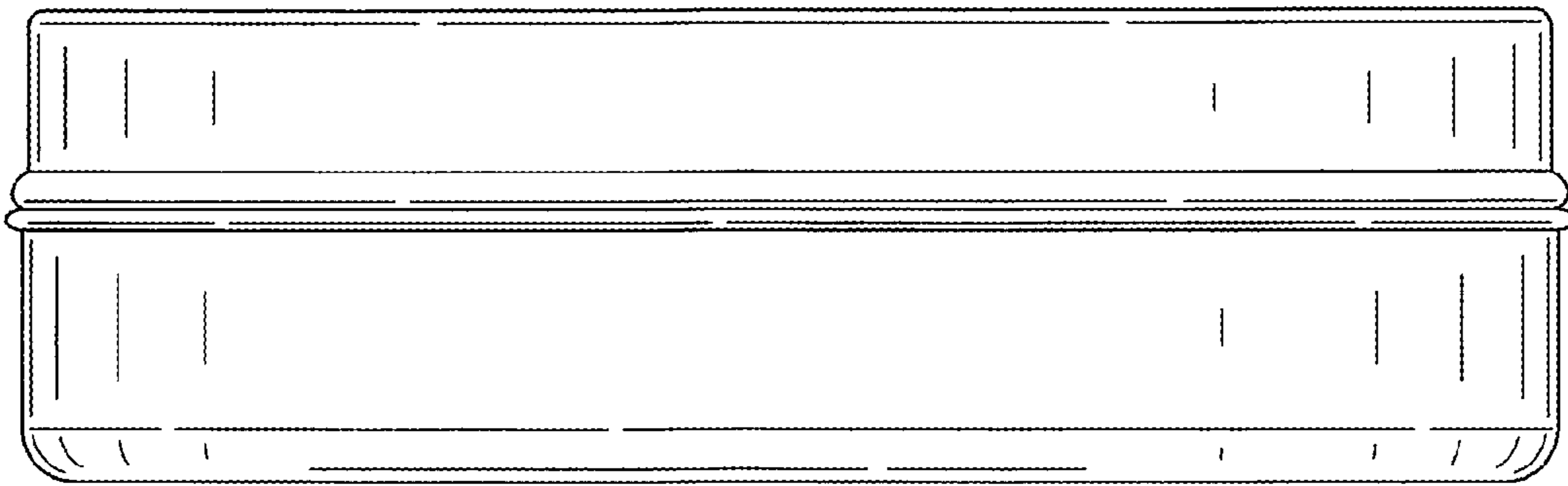


FIG. 6

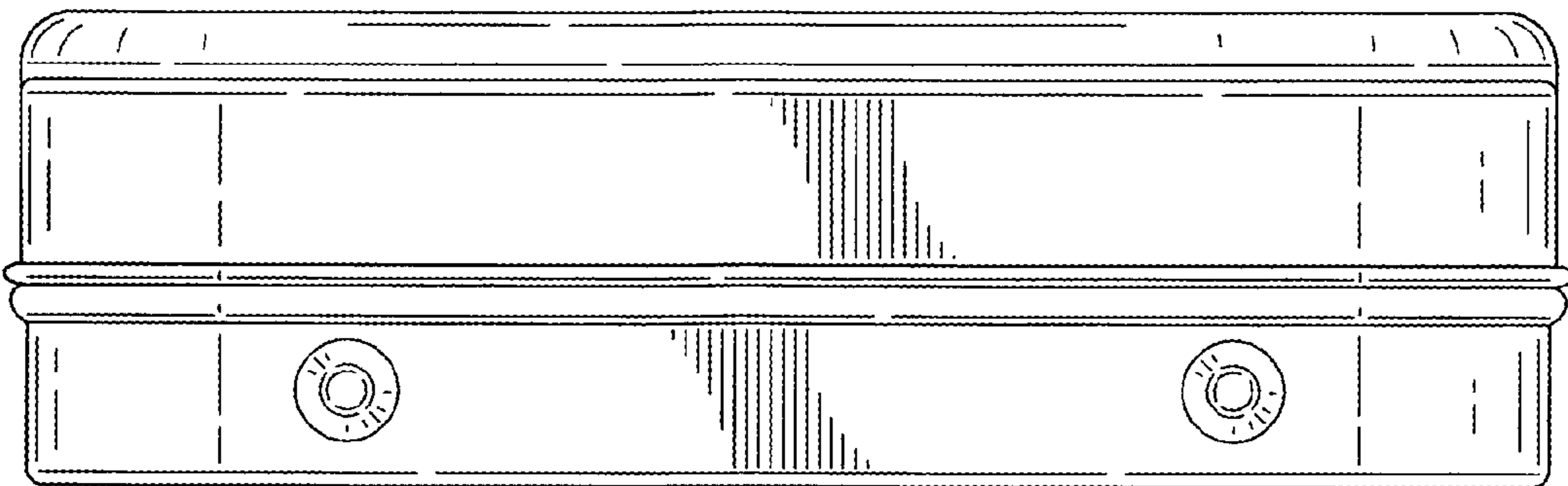


FIG. 7