



US00D774903S

(12) **United States Design Patent** (10) **Patent No.:** **US D774,903 S**
Joergensen et al. (45) **Date of Patent:** **** Dec. 27, 2016**

(54) **FOOD CONTAINER**
(71) Applicant: **NatureSweet, Ltd.**, San Antonio, TX (US)
(72) Inventors: **J. Michael Joergensen**, San Antonio, TX (US); **Bryant P. Ambelang**, San Antonio, TX (US); **Jacob Teitelbaum**, Oakland, CA (US)
(73) Assignee: **NatureSweet, Ltd.**, San Antonio, TX (US)

D504,281 S * 4/2005 Duggan D7/538
D506,146 S * 6/2005 Hall D9/757
D506,397 S * 6/2005 Hall D9/757
D507,756 S * 7/2005 Hall D9/757
D520,377 S * 5/2006 Beese D9/757
7,353,951 B2 * 4/2008 Vovan B65D 71/70
206/521.1
D569,242 S 5/2008 Flamand
D569,722 S * 5/2008 Stamper D9/416
D587,109 S 2/2009 Lyon et al.
D592,077 S * 5/2009 Sipe D9/420

(Continued)

(**) Term: **15 Years**
(21) Appl. No.: **29/562,766**
(22) Filed: **Apr. 28, 2016**

Related U.S. Application Data

(62) Division of application No. 29/511,263, filed on Dec. 9, 2014, now Pat. No. Des. 764,275.
(51) **LOC (10) Cl.** **09-03**
(52) **U.S. Cl.**
USPC **D9/425**
(58) **Field of Classification Search**
USPC D9/414, 418, 420, 423, 424, 425, 427, D9/430, 431, 432, 643-647, 715, 717, D9/721, 737, 756, 657, 762, 761; D7/541, D7/553.1, 601, 602, 629, 630, 701, 703, D7/707, 708; 220/4.21-4.22, 602-609, 220/669, 675, 835-839
CPC B65D 85/34; B65D 85/345; B65D 43/161; B65D 43/162
See application file for complete search history.

(56) **References Cited**

U.S. PATENT DOCUMENTS

5,131,551 A 7/1992 Wells
D376,314 S 12/1996 Krupa
D381,560 S * 7/1997 Indekeu D7/505
D382,796 S * 8/1997 Mangla D9/425
D491,463 S * 6/2004 Zelina D9/757

OTHER PUBLICATIONS

Trademark/Service Mark Amendment to Allege Use, U.S. Serial No. 85815523 to NatureSweet, Ltd., mail date Oct. 28, 2013, 10 pages. Available at: <http://tsdr.uspto.gov/documentviewer?caseId=sn85815523&docId=AAU201031029151847#docIndex=15&page=1><<http://tsdr.uspto.gov/documentviewer?caseId=sn85815523&docId=AAU20131029151847>>.

Primary Examiner — Ian Simmons

Assistant Examiner — Keith Frank

(74) *Attorney, Agent, or Firm* — Norton Rose Fulbright US LLP

(57) **CLAIM**

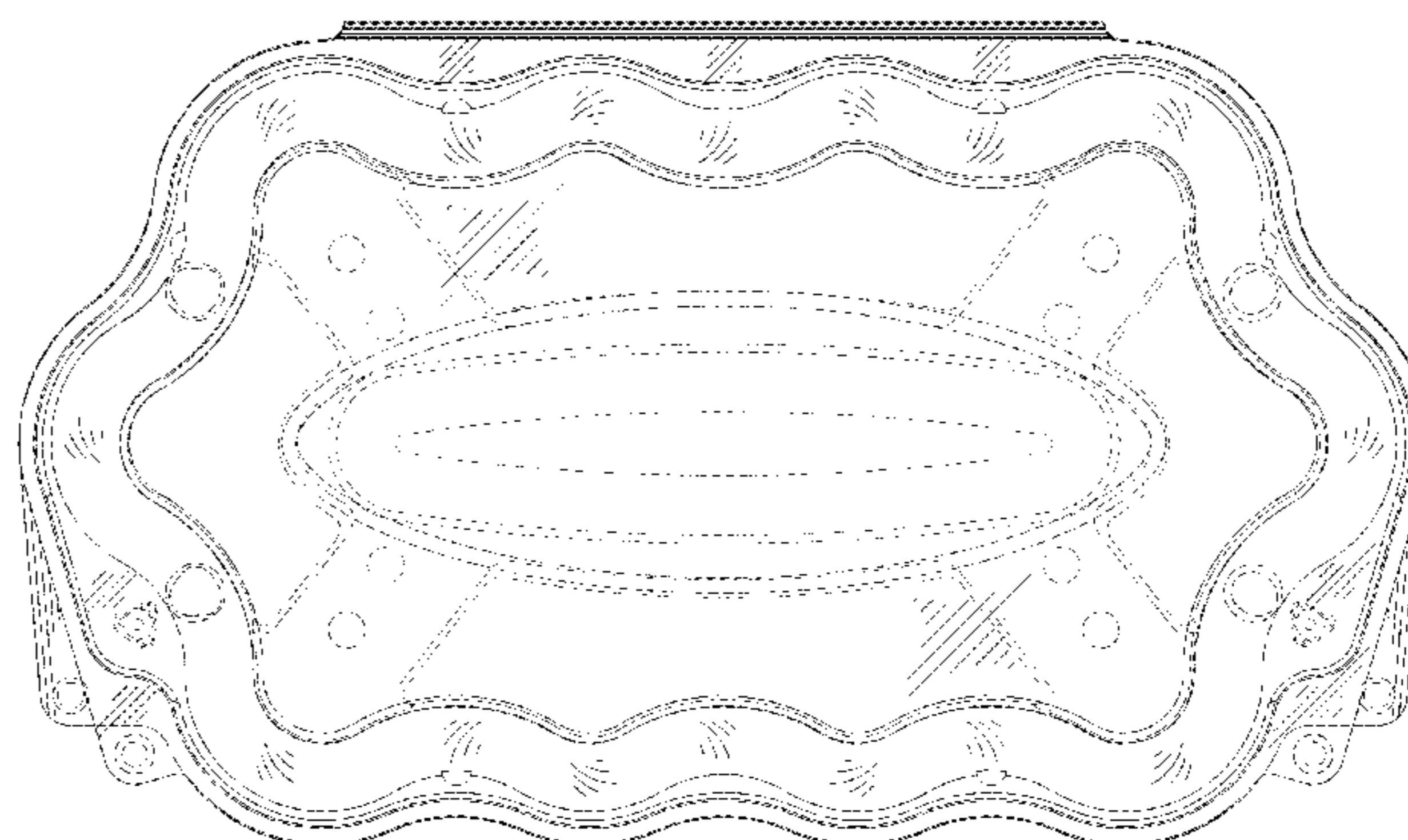
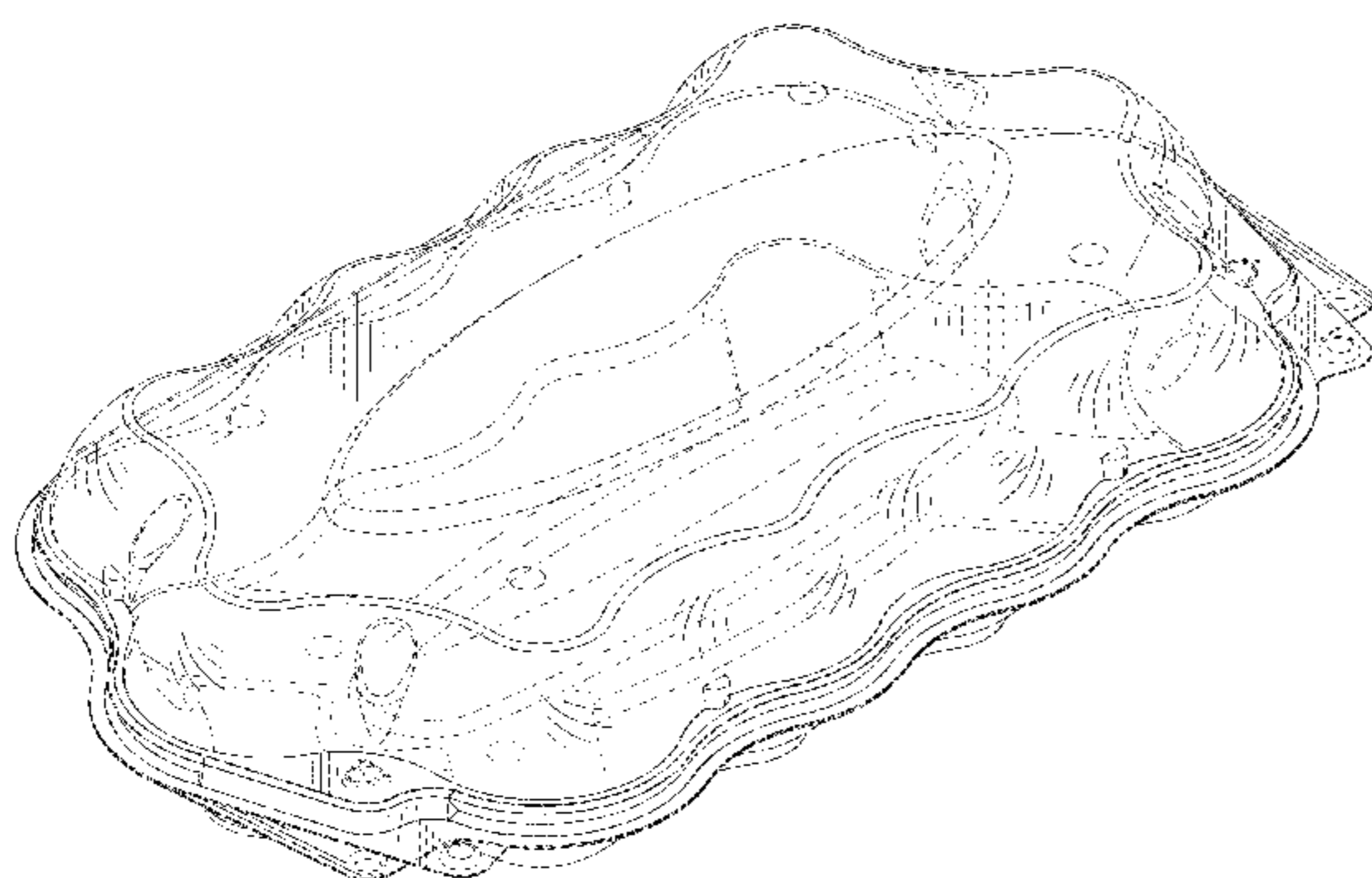
The ornamental design for a food container, as shown and described.

DESCRIPTION

FIG. 1 is a front perspective view of a food container showing our new design;
FIG. 2 is a front elevation view thereof;
FIG. 3 is a back elevation view thereof;
FIG. 4 is a right elevation view thereof;
FIG. 5 is a left elevation view thereof;
FIG. 6 is a top plan view thereof; and,
FIG. 7 is a bottom plan view thereof.

The broken lines shown in the figures represent unclaimed subject matter and form no part of the claimed design.

1 Claim, 5 Drawing Sheets



(56)

References Cited

U.S. PATENT DOCUMENTS

7,665,608	B2 *	2/2010	Buckley	B65D 85/32 206/521.1
D611,304	S	3/2010	DeLeo	
D626,014	S	10/2010	Fosse et al.	
D632,956	S *	2/2011	Fuller	D9/424
D632,977	S *	2/2011	Dijkstra	D9/757
D637,482	S	5/2011	Snedden et al.	
D637,483	S	5/2011	Snedden et al.	
D656,843	S *	4/2012	Schleining	D9/757
D661,601	S *	6/2012	Sanfilippo	D9/737
D661,943	S	6/2012	Pallotto et al.	
D668,537	S	10/2012	Sanfilippo	
D672,232	S *	12/2012	Shaver	D9/429
D684,019	S *	6/2013	Facey	D7/354
D685,273	S	7/2013	Bodmer et al.	
D687,681	S	8/2013	Barber	
D690,194	S *	9/2013	Snedden	D9/425
8,545,914	B1	10/2013	Mastroianni	
D695,108	S	12/2013	Pham et al.	
D697,796	S *	1/2014	Ambelang	D9/427
D701,116	S *	3/2014	Ambelang	D9/416
D739,265	S	9/2015	Buckley et al.	
D745,312	S	12/2015	Lovgren	
2004/0007583	A1	1/2004	Lin	
2011/0094918	A1	4/2011	Hernandez	
2011/0139785	A1	6/2011	Strange et al.	
2011/0180446	A1	7/2011	Kidd et al.	

* cited by examiner

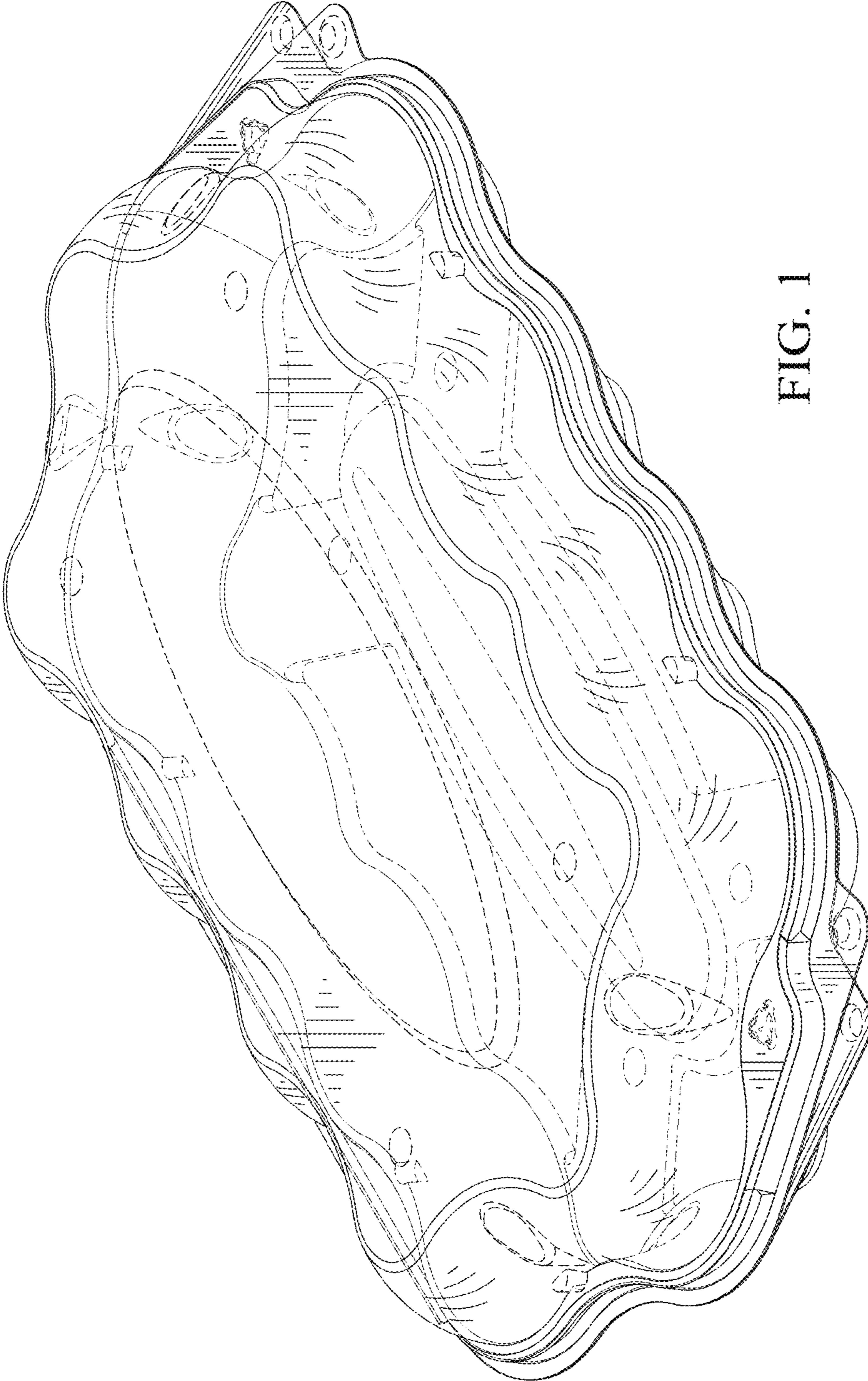


FIG. 1

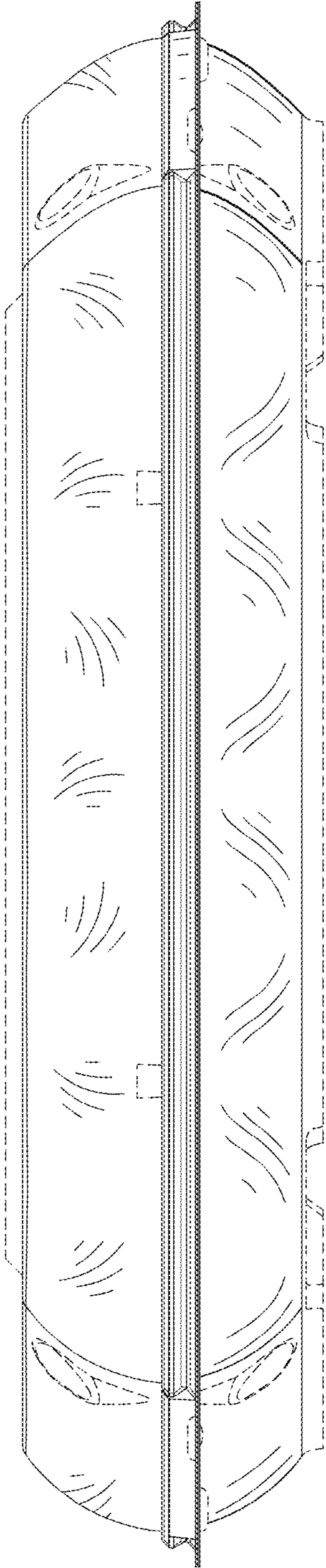


FIG. 2

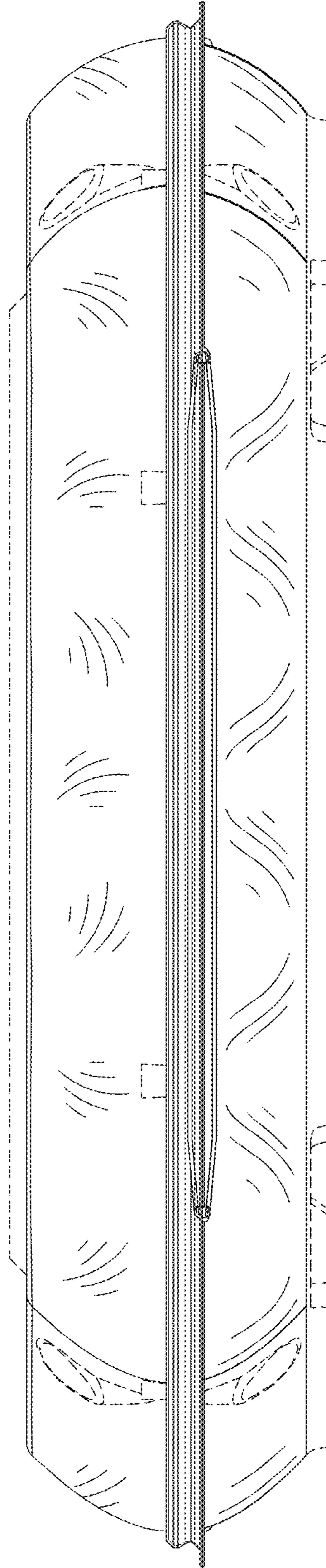


FIG. 3

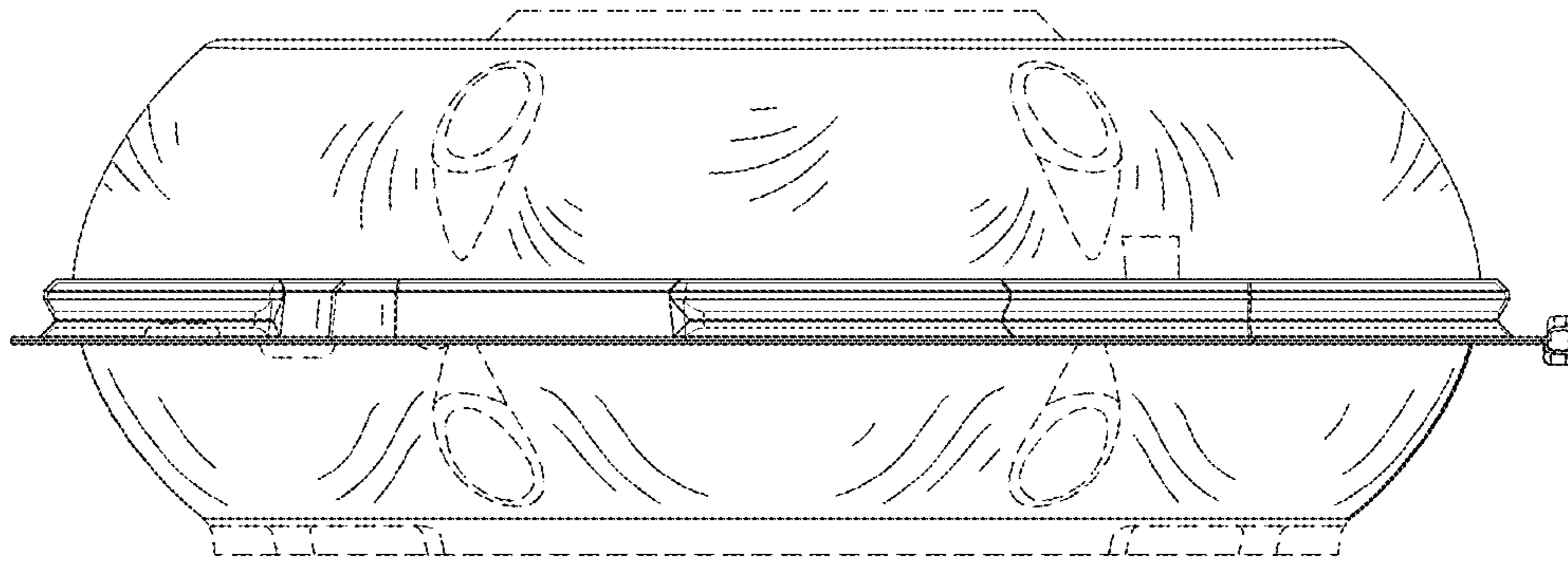


FIG. 4

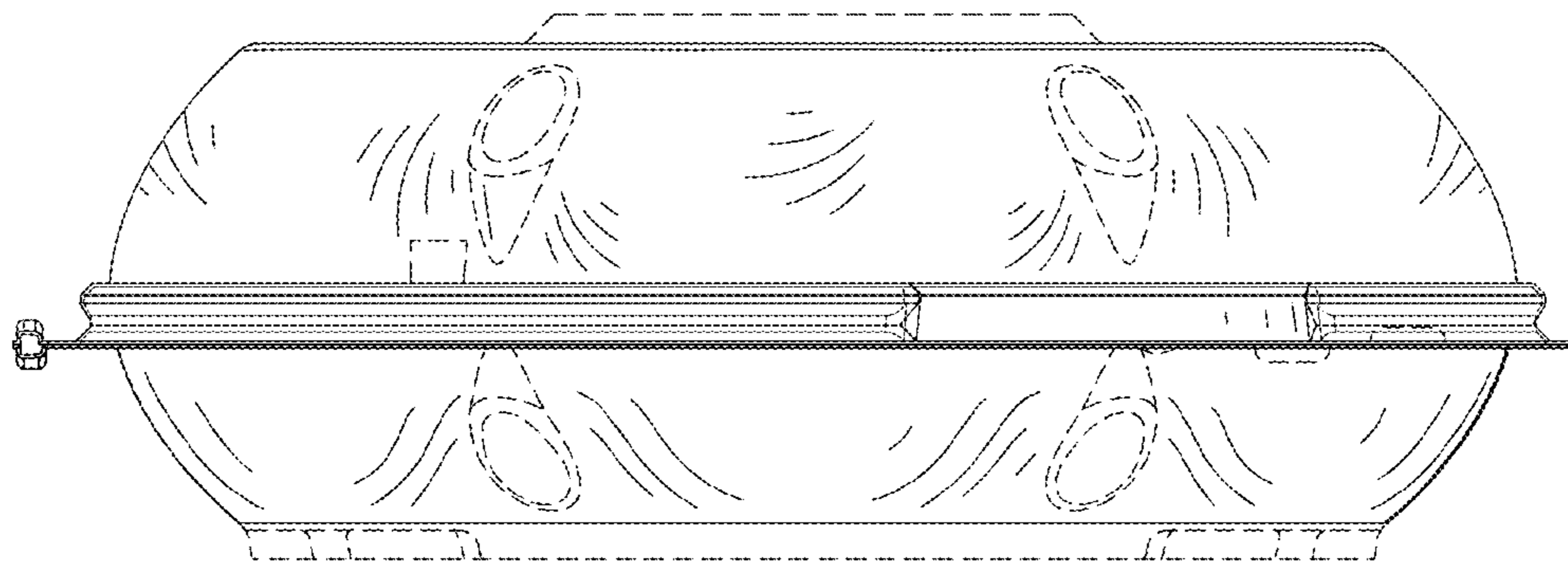


FIG. 5

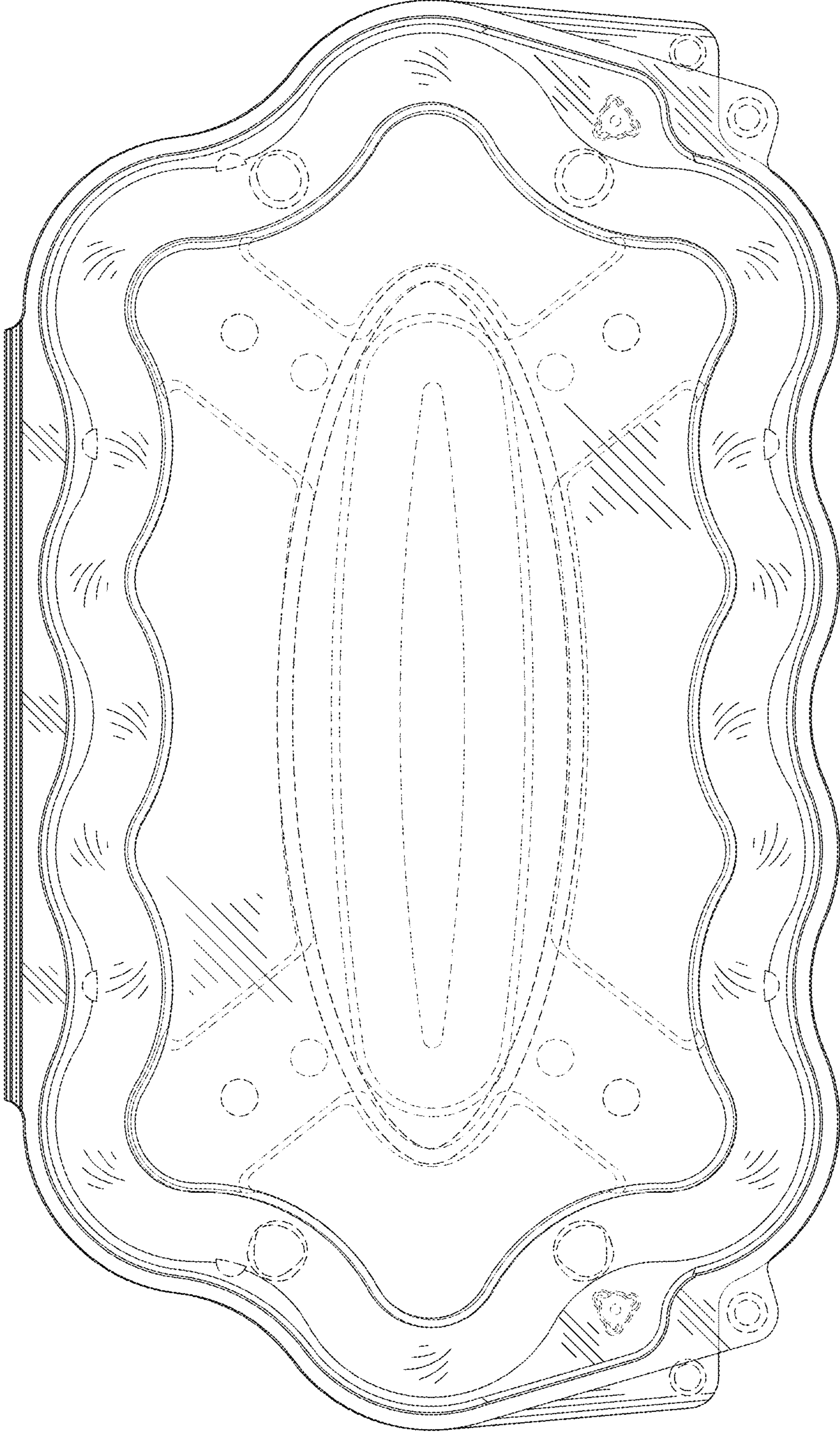


FIG. 6

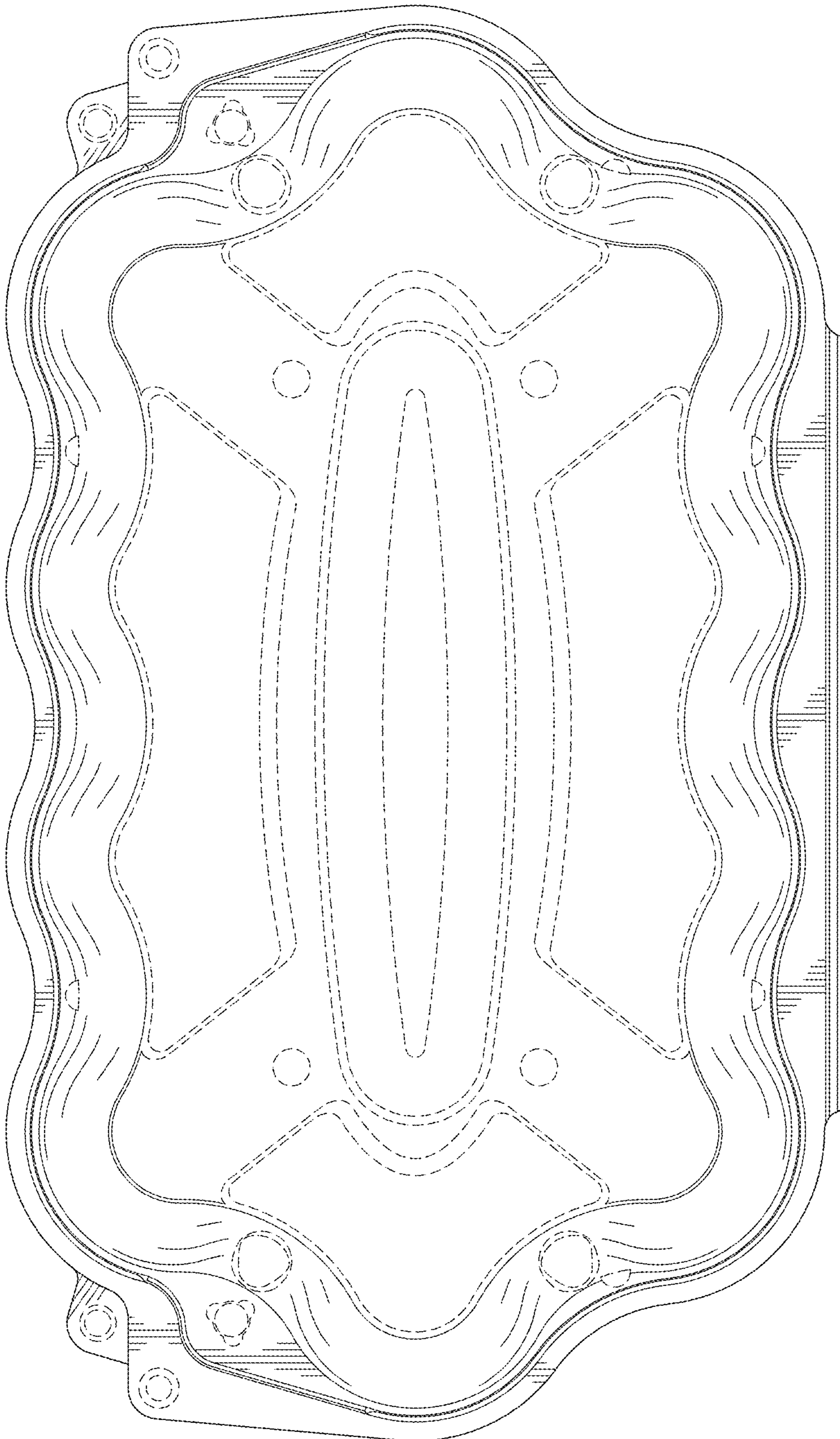


FIG. 7