



US00D774902S

(12) **United States Design Patent**
Hendricks et al.

(10) **Patent No.: US D774,902 S**

(45) **Date of Patent: ** Dec. 27, 2016**

(54) **CONTAINER**

(71) Applicant: **The Hershey Company**, Hershey, PA (US)

(72) Inventors: **William J. Hendricks**, Elizabethtown, PA (US); **Eric P. Lawrence**, Hershey, PA (US); **Jonathon K. Markey**, Greensboro, NC (US); **Michael J. Van Driest**, Asheboro, NC (US)

(73) Assignee: **The Hershey Company**, Hershey, PA (US)

(**) Term: **14 Years**

(21) Appl. No.: **29/511,191**

(22) Filed: **Dec. 8, 2014**

(51) **LOC (10) Cl.** **09-03**

(52) **U.S. Cl.**
USPC **D9/424**

(58) **Field of Classification Search**
USPC D9/414-418, 420-427, 430-434, 456;
D3/272, 273, 276, 281, 282, 302,
D3/304-309, 315; D7/601, 602
CPC B65D 5/00-5/02; B65D 5/0209; B65D
5/0272; B65D 5/029; B65D 5/40; B65D
5/72; B65D 5/727; B65D 31/10-31/18;
B65D 35/04; B65D 35/56
See application file for complete search history.

(56) **References Cited**

U.S. PATENT DOCUMENTS

D389,738 S * 1/1998 Hlobil D9/432
D423,345 S * 4/2000 Sugarman D9/420
D446,718 S * 8/2001 Anderson D9/422

6,341,710 B1 * 1/2002 Danielson B65D 83/04
206/37
D464,884 S * 10/2002 Sumpmann D9/432
D546,174 S * 7/2007 Kutsch D9/420

(Continued)

Primary Examiner — Vy Koenig

(74) *Attorney, Agent, or Firm* — Design IP

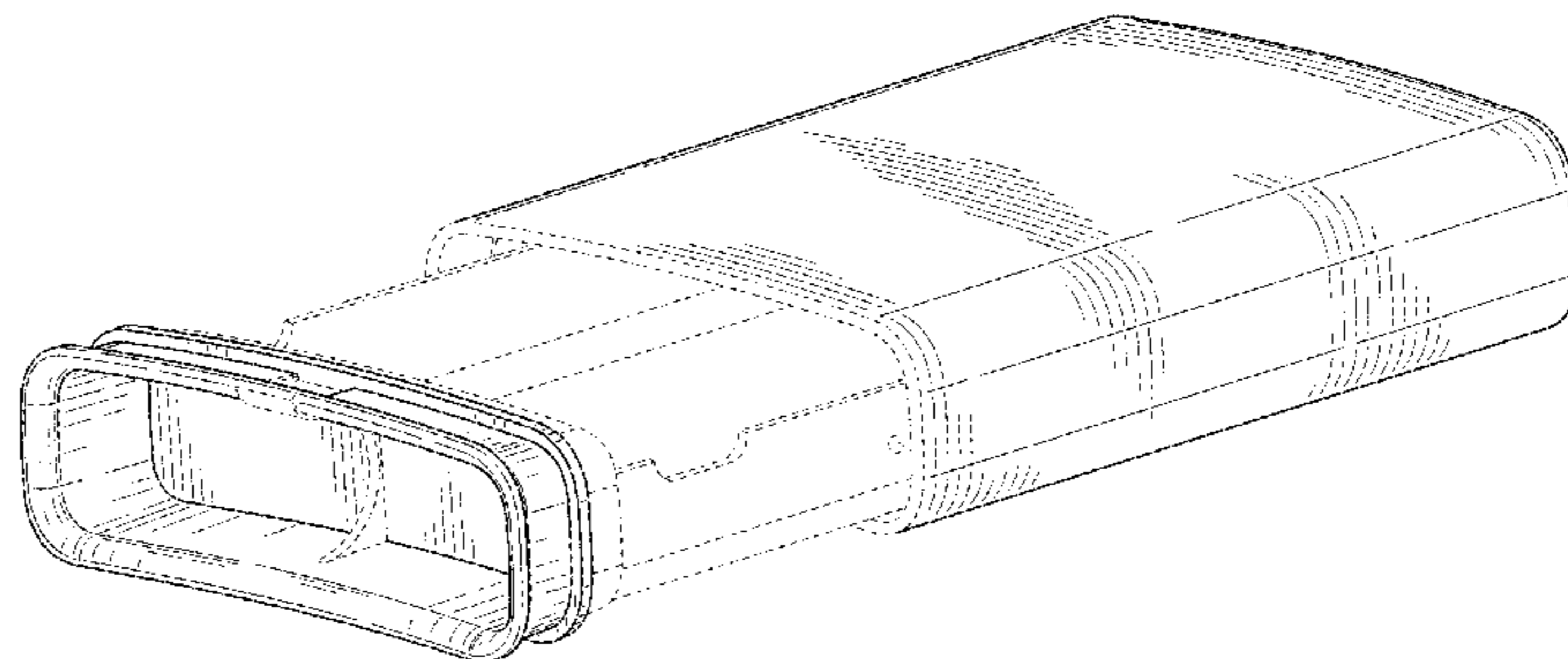
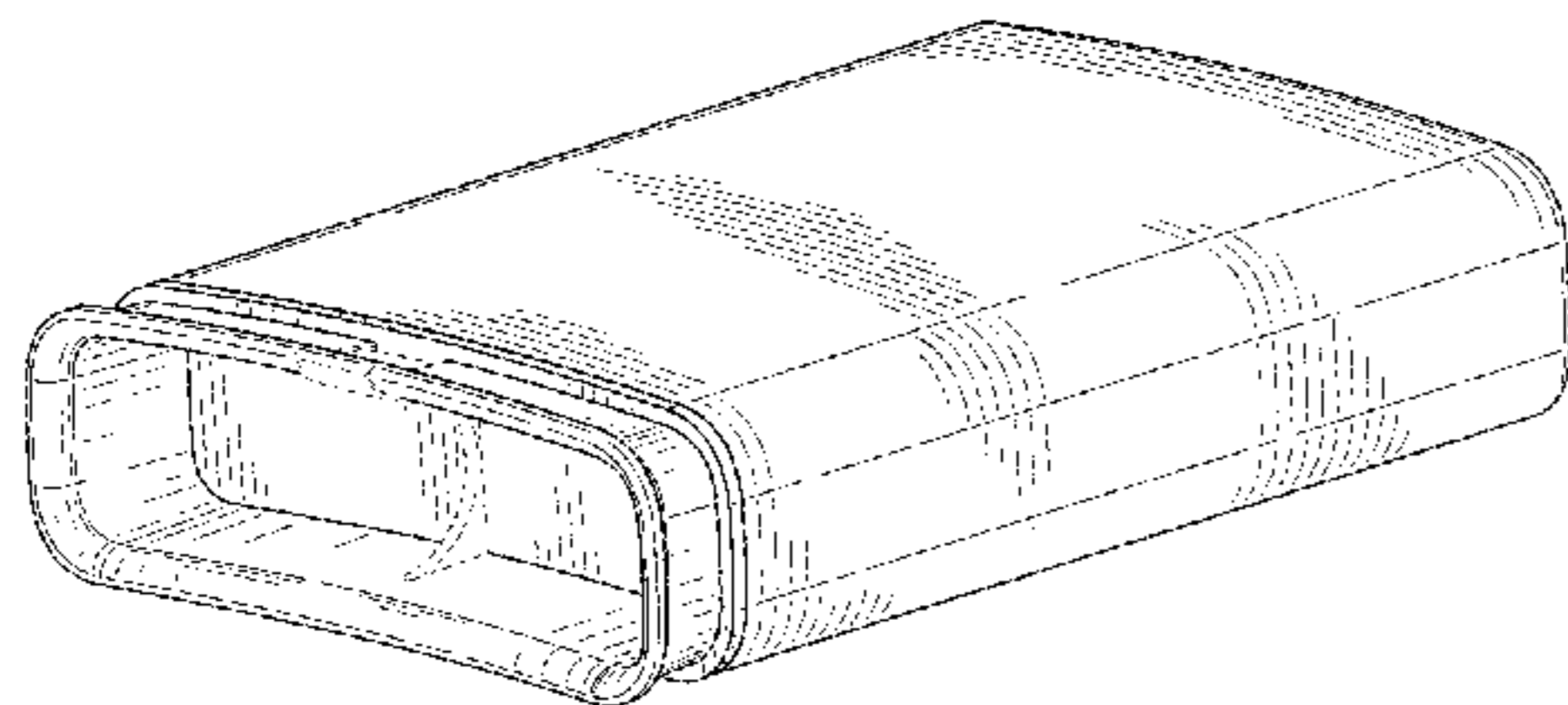
(57) **CLAIM**

The ornamental design for a container, as shown and described.

DESCRIPTION

FIG. 1 is a front perspective view of a first embodiment of a container showing our new design; FIG. 2 is a front orthographic view thereof; FIG. 3 is a rear orthographic view thereof; FIG. 4 is a left side orthographic view thereof; FIG. 5 is a right side orthographic view thereof; FIG. 6 is a top orthographic view thereof; FIG. 7 is a bottom orthographic view thereof; FIG. 8 is a front perspective view of the container of FIG. 1, showing the tray portion thereof in an alternate position; FIG. 9 is a front perspective view of a second embodiment of a container showing our new design; FIG. 10 is a front orthographic view thereof; FIG. 11 is a rear orthographic view thereof; FIG. 12 is a left side orthographic view thereof; FIG. 13 is a right side orthographic view thereof; FIG. 14 is a top orthographic view thereof; FIG. 15 is a bottom orthographic view thereof; and, FIG. 16 is a front perspective view of the container of FIG. 9, showing the tray portion thereof in an alternate position. The dashed lines appearing in FIGS. 1-16 represent environmental subject matter only and form no part of the claimed design. In the embodiment of FIGS. 9-16, the tray portion of the container is shaded as a translucent material.

1 Claim, 8 Drawing Sheets



(56)

References Cited

U.S. PATENT DOCUMENTS

D546,175	S	*	7/2007	Sainz	D9/420
D547,647	S	*	7/2007	Kutsch	D9/420
D571,197	S	*	6/2008	Sanfilippo	D9/420
D573,474	S	*	7/2008	Beam	D9/423
D630,941	S	*	1/2011	Paredes	D9/430
D636,257	S	*	4/2011	Bougoulas	D9/420
D640,920	S	*	7/2011	Giraud	D3/203.2
D717,166	S	*	11/2014	Lee	D9/424
D744,342	S	*	12/2015	Blasko	D9/516
D746,671	S	*	1/2016	Fohner	D9/414
D749,943	S	*	2/2016	Mitten	D9/423
D752,970	S	*	4/2016	Giraud	D9/420

* cited by examiner

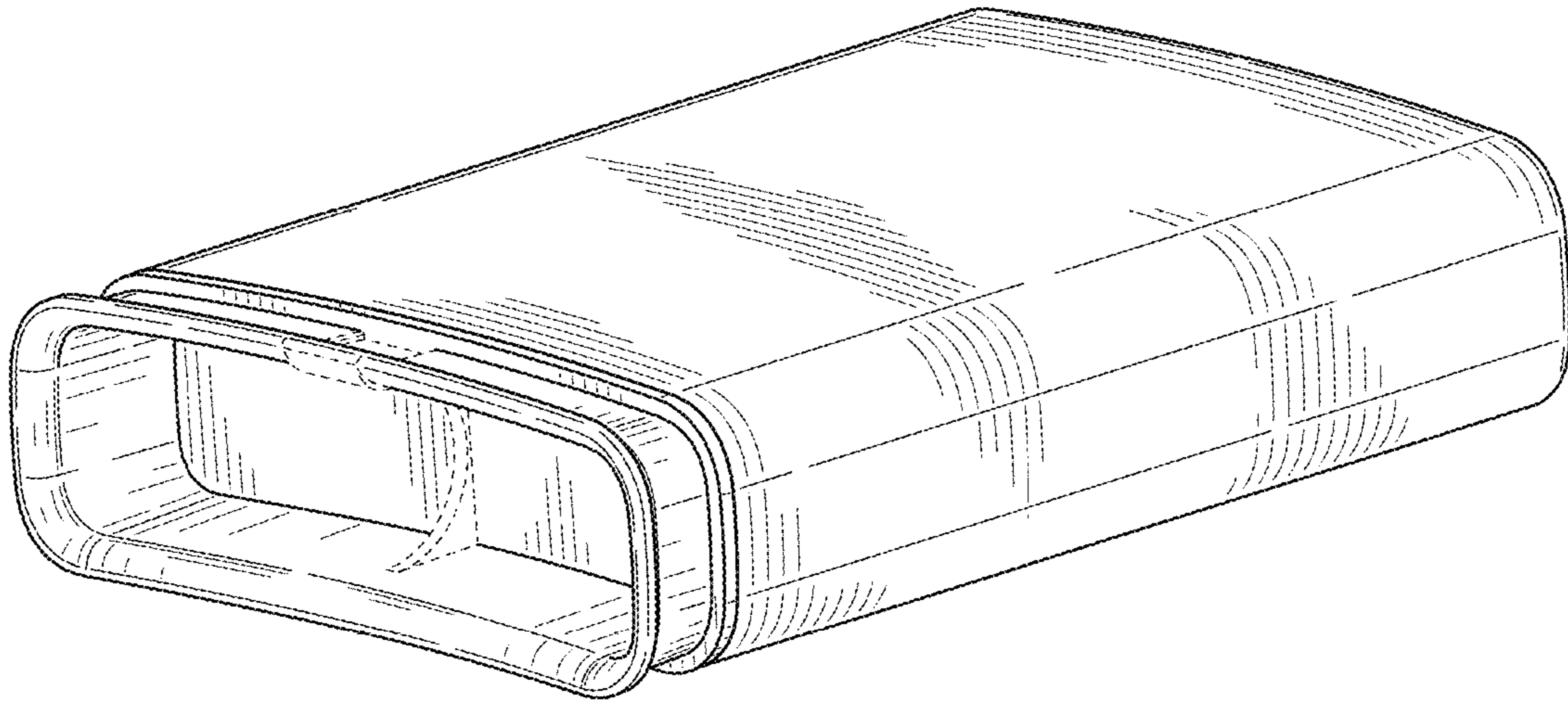


FIG. 1

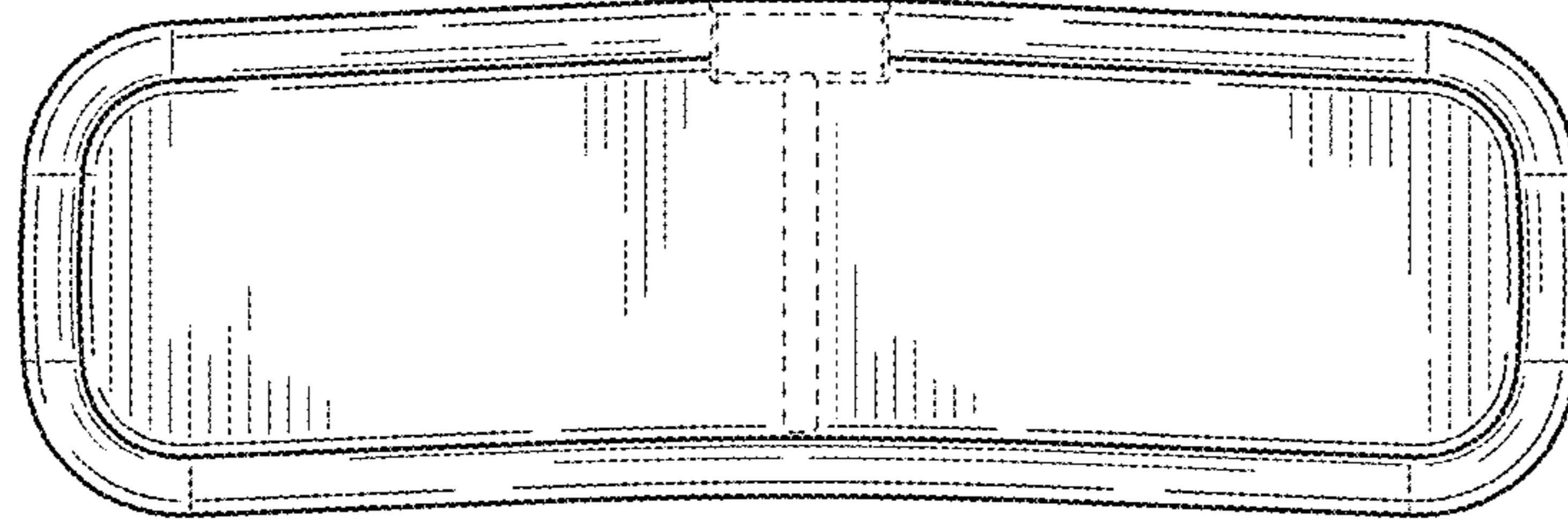


FIG. 2

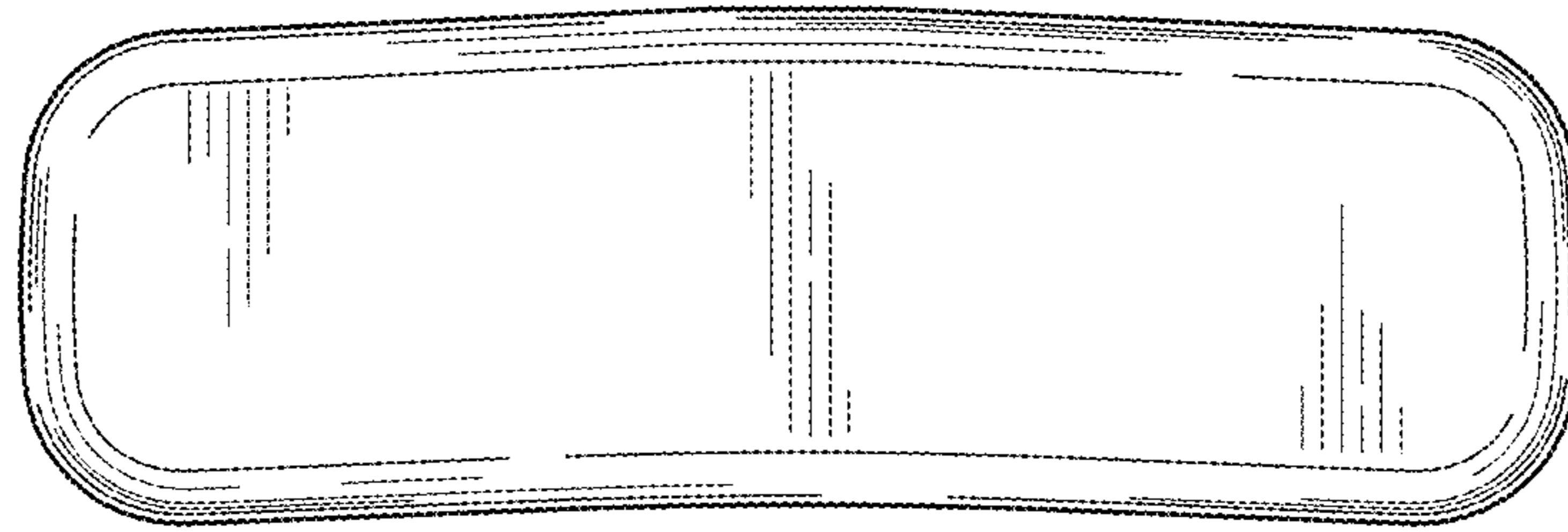


FIG. 3

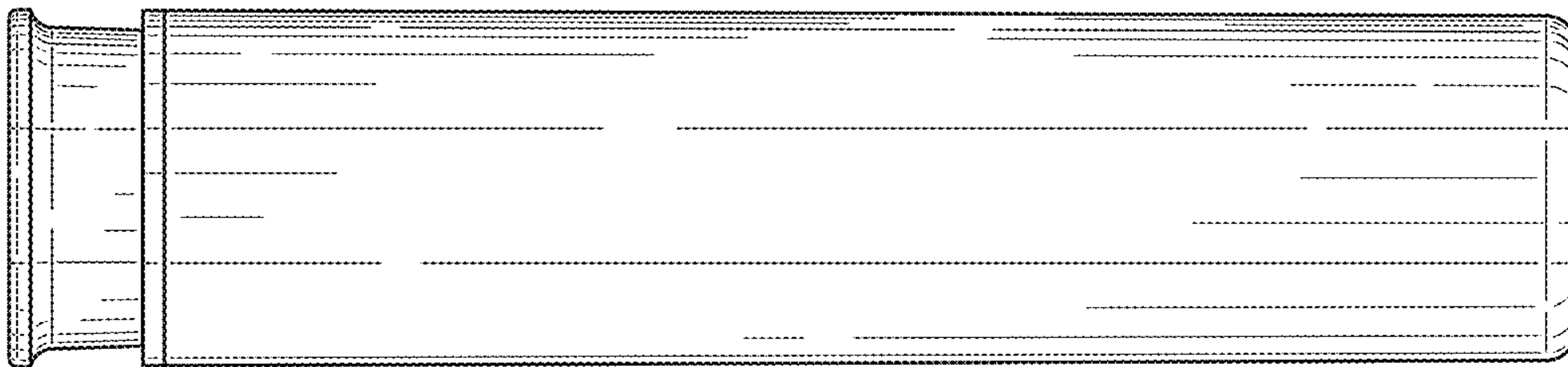


FIG. 4

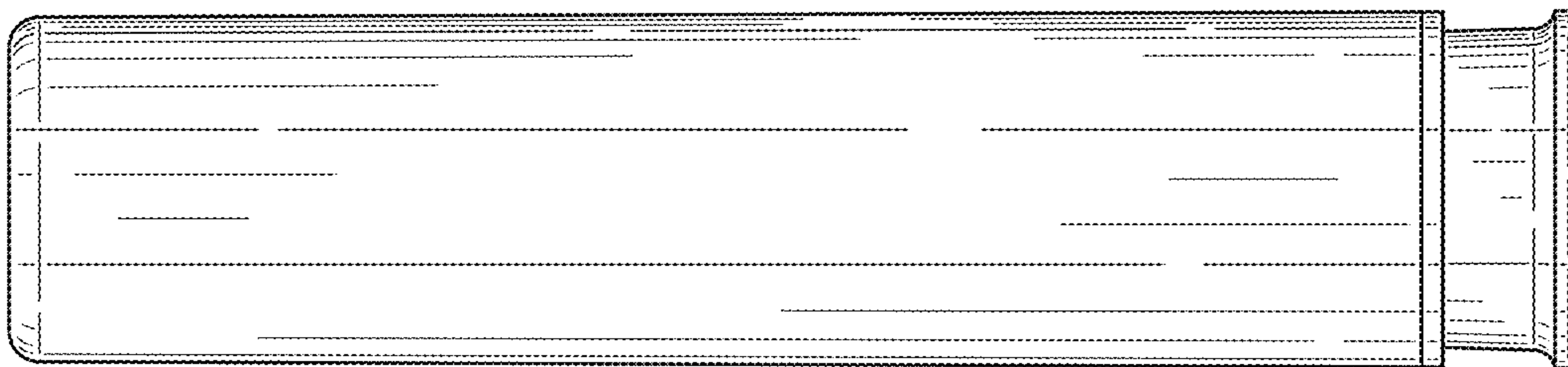


FIG. 5

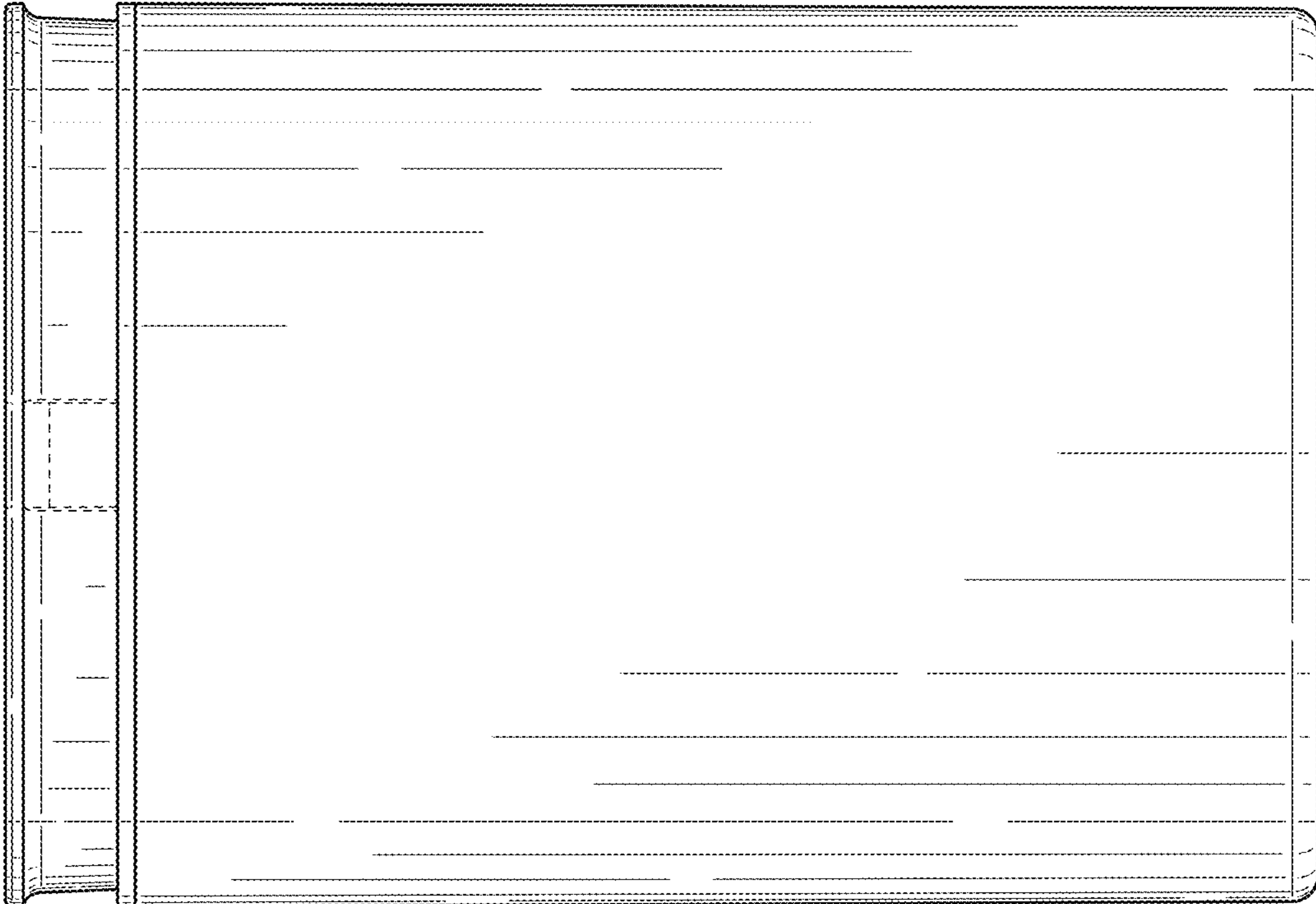


FIG. 6

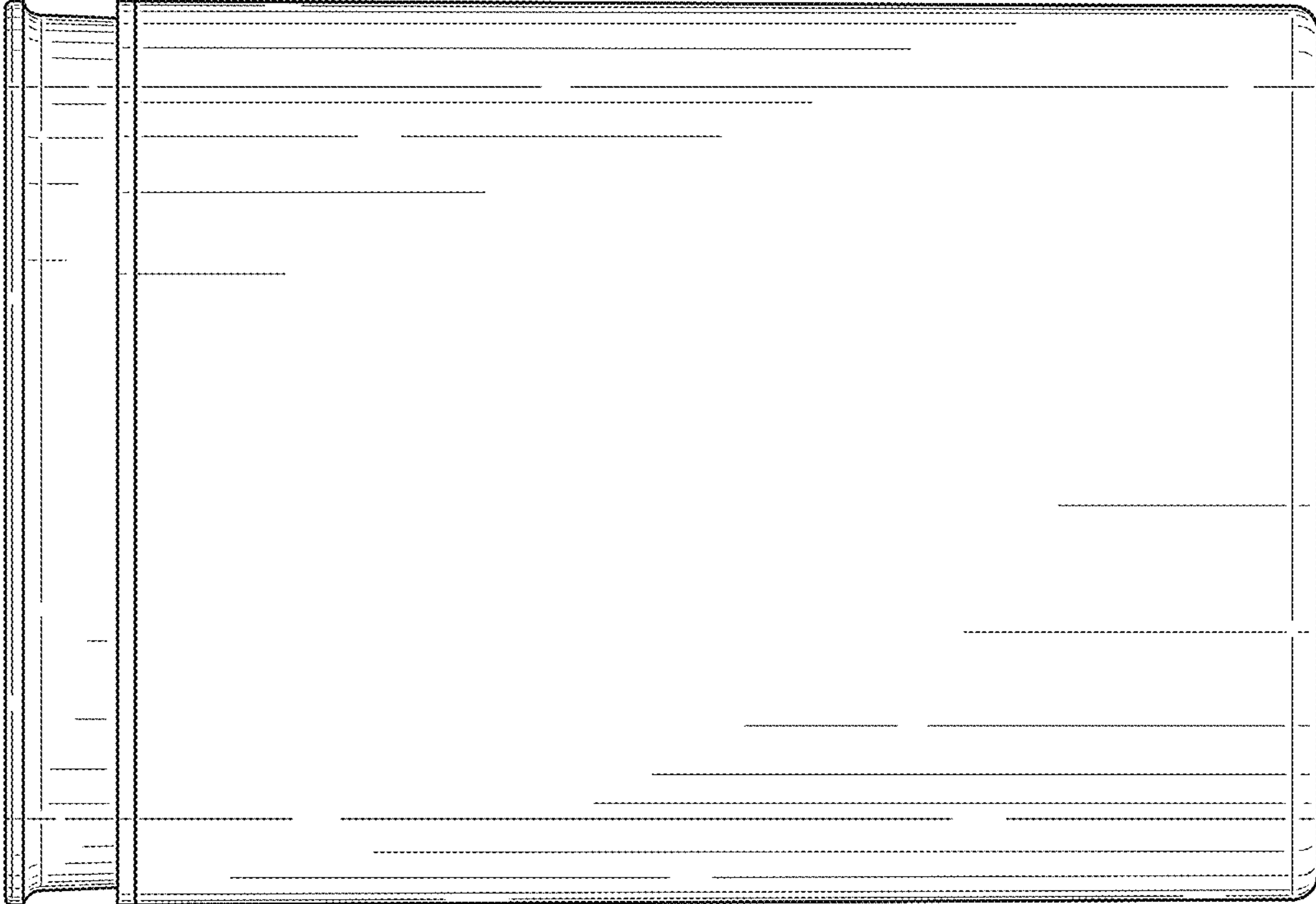


FIG. 7

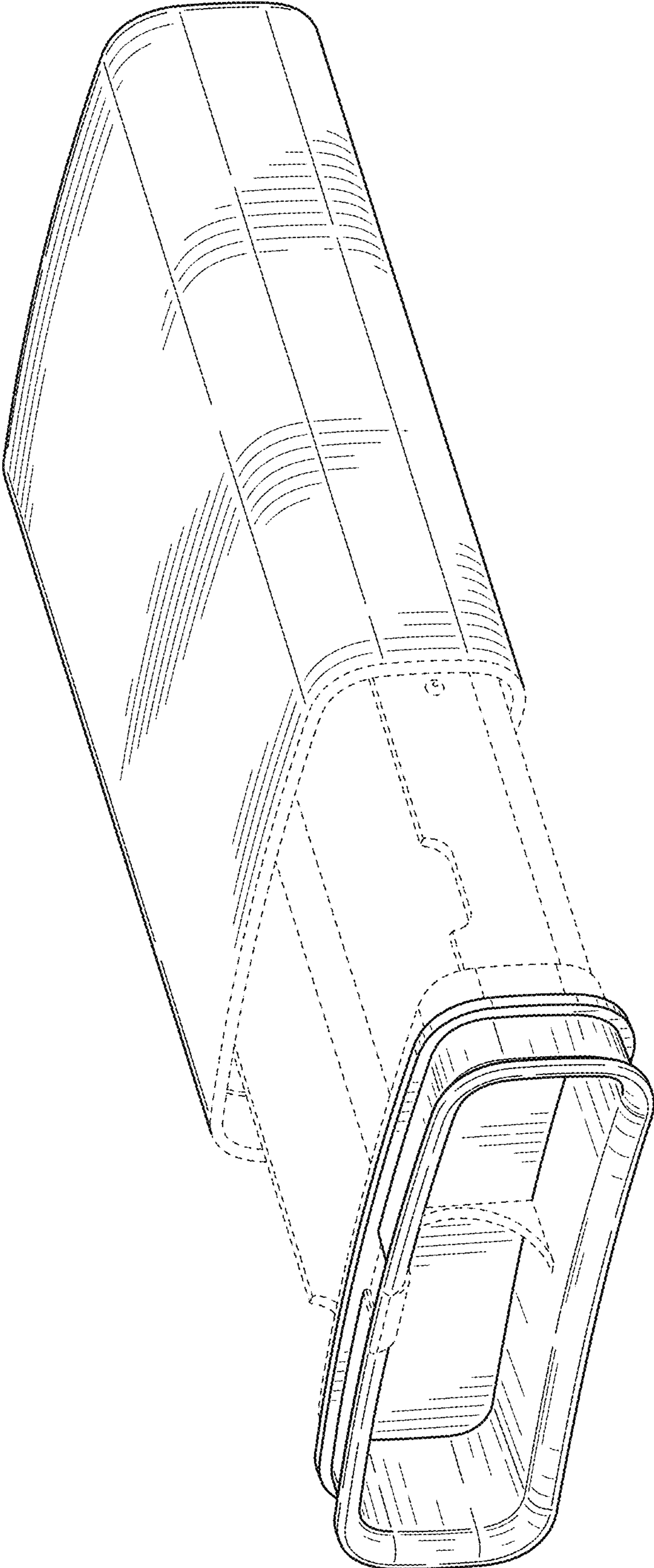


FIG. 8

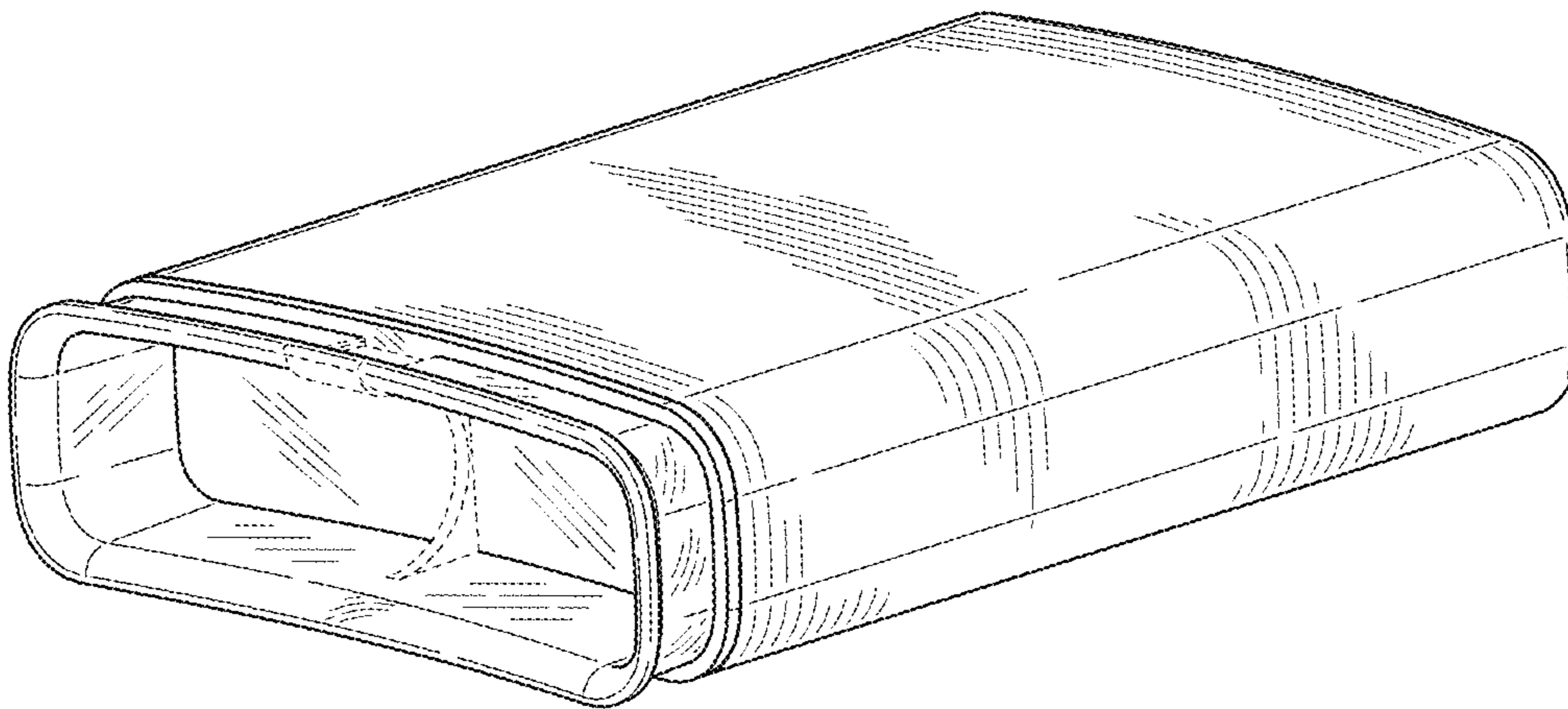


FIG. 9

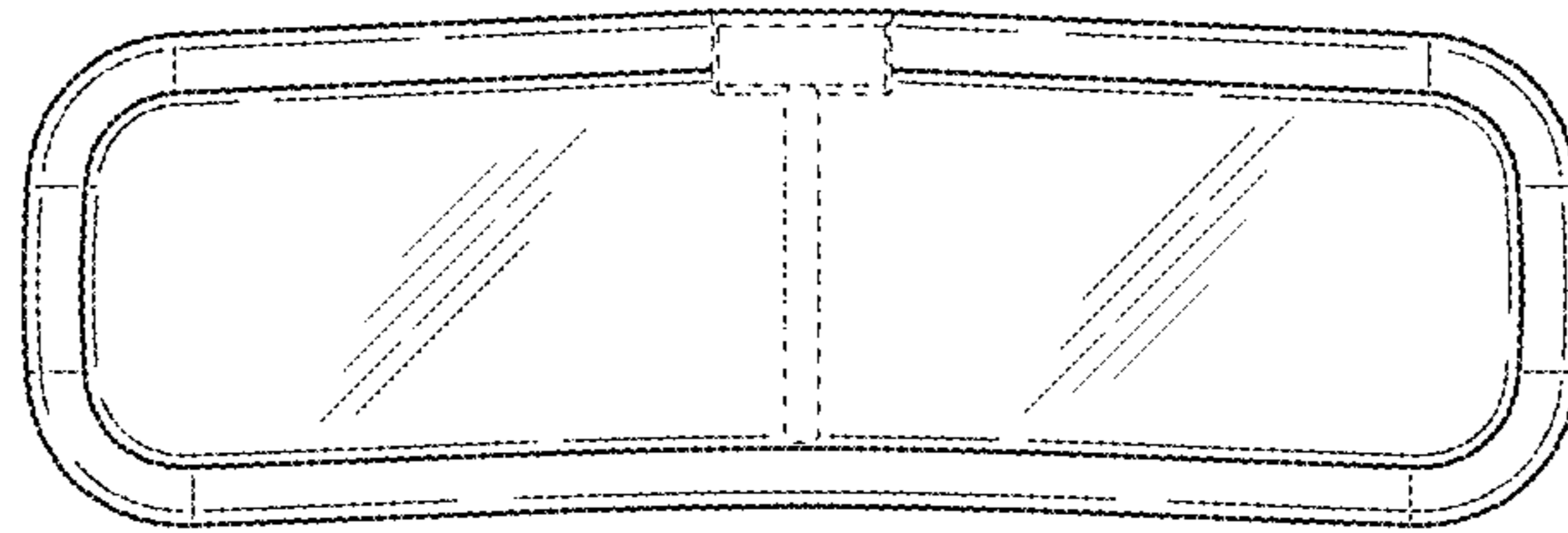


FIG. 10

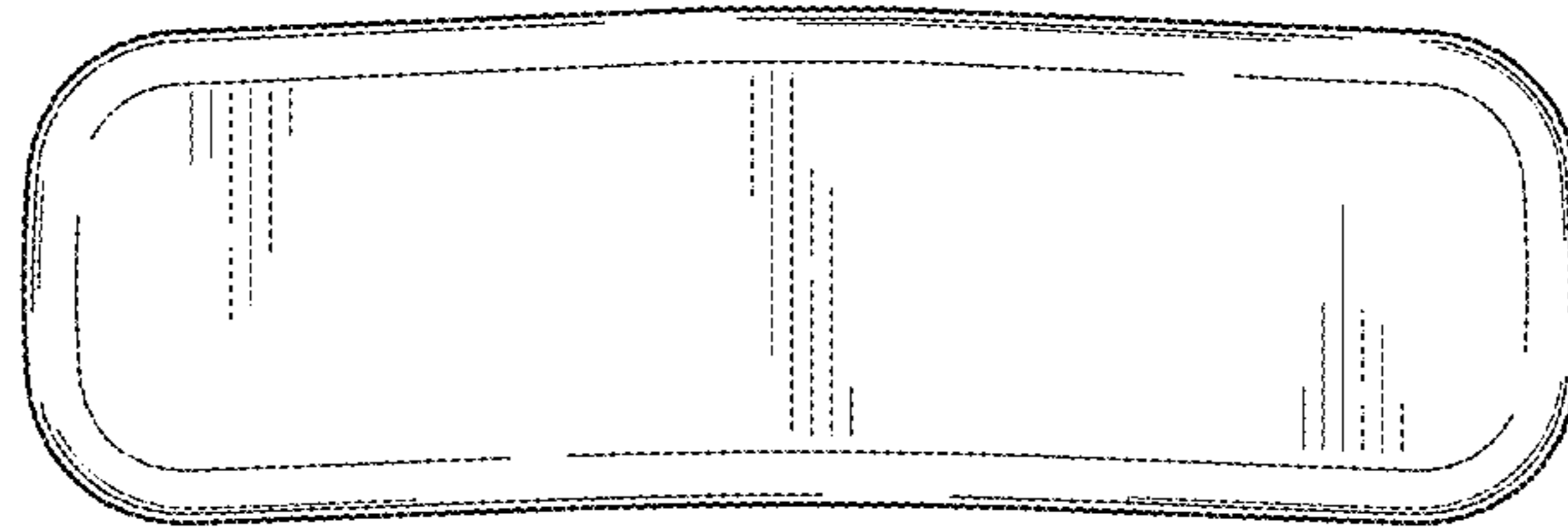


FIG. 11

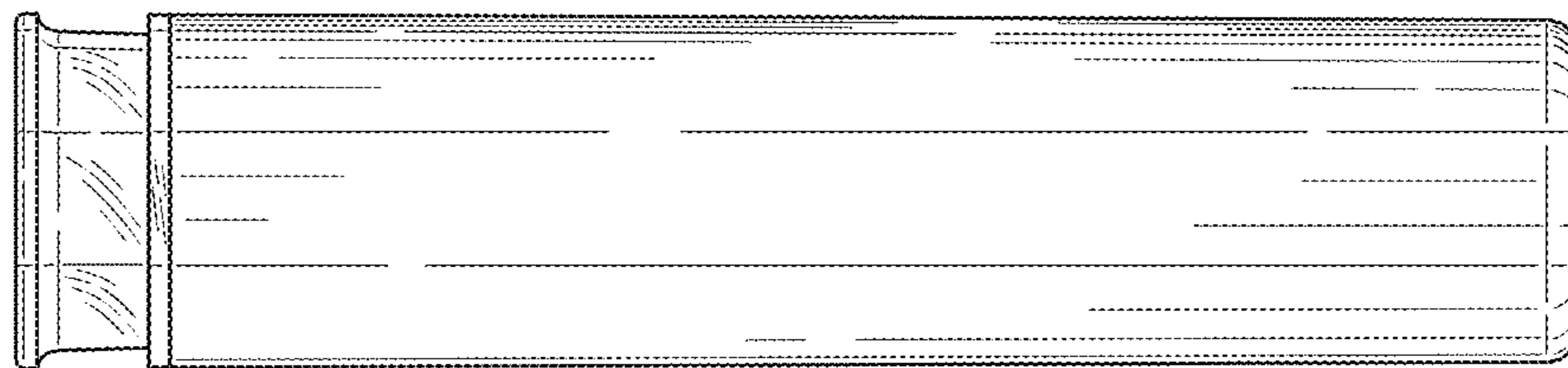


FIG. 12

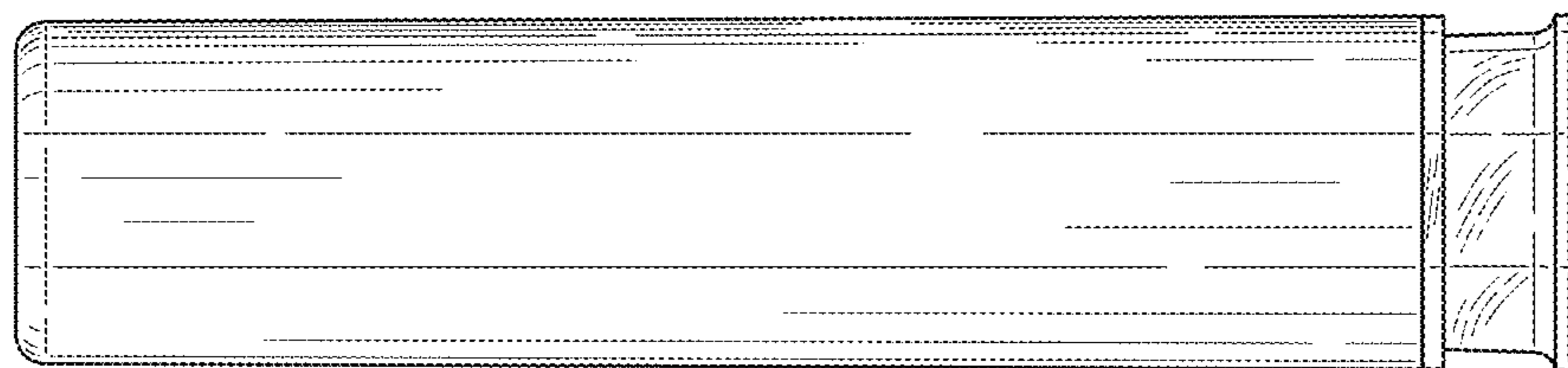


FIG. 13

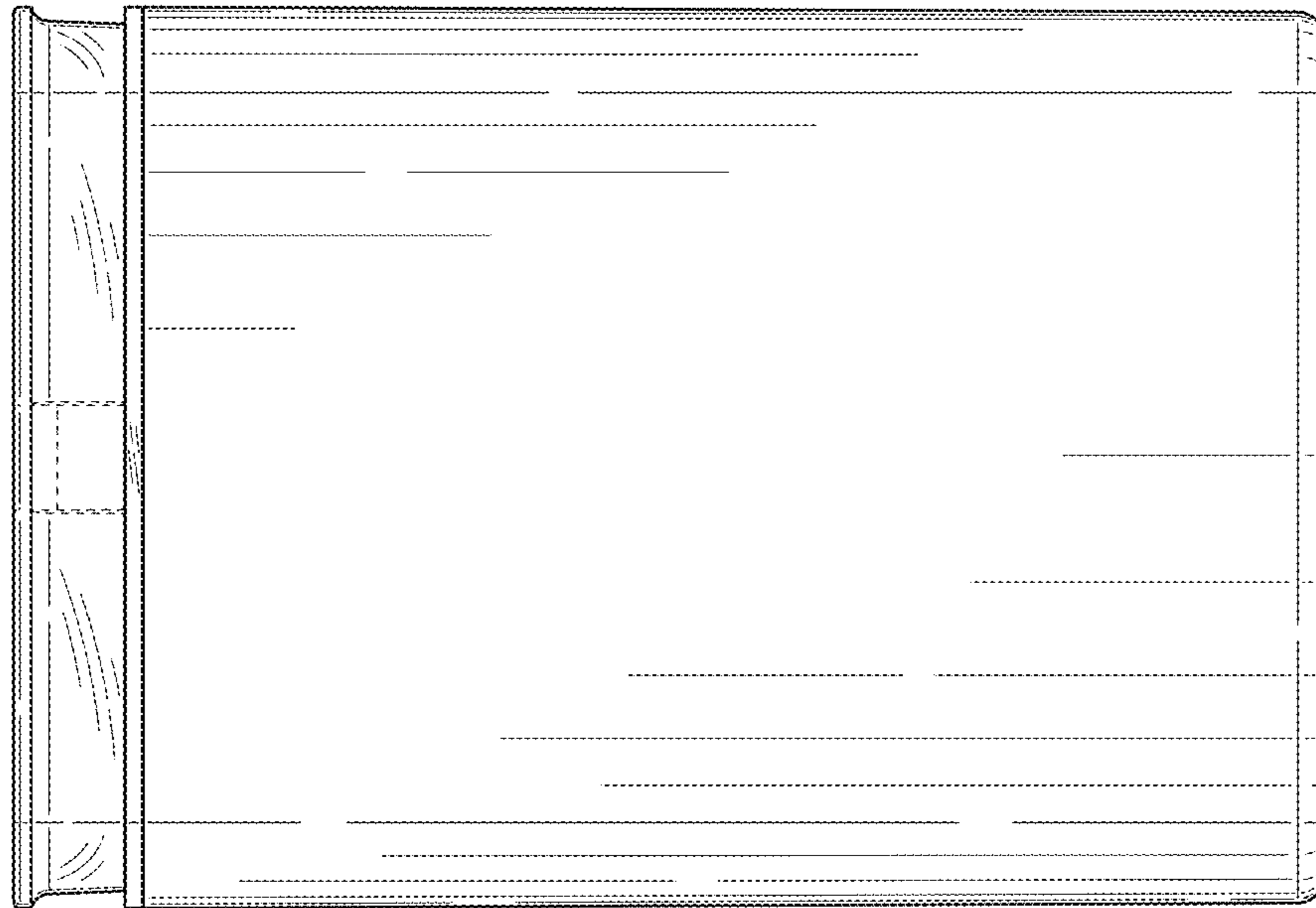


FIG. 14



FIG. 15

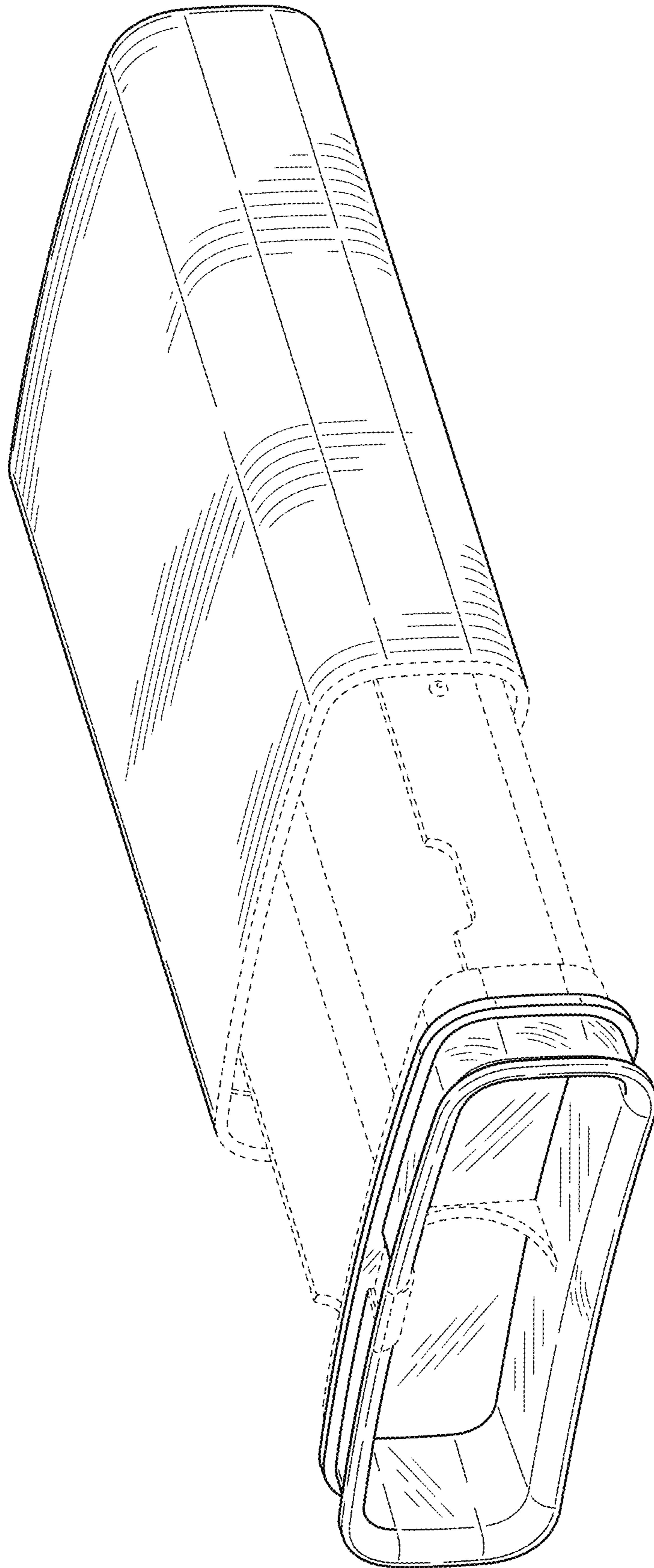


FIG. 16