



US00D774901S

(12) **United States Design Patent** (10) **Patent No.:** **US D774,901 S**
Geheran et al. (45) **Date of Patent:** **** Dec. 27, 2016**

(54) **PACKAGE**

(71) Applicant: **Hypertherm, Inc.**, Hanover, NH (US)

(72) Inventors: **Martin J. Geheran**, Swanzey, NH (US); **Frank D. Cook**, Grafton, NH (US); **Pedro A. Tedeschi**, Quechee, VT (US); **Scott Behner**, Northwood, NH (US); **Jeffrey S. Baillies**, Oregon, WI (US)

(73) Assignee: **Hypertherm, Inc.**, Hanover, NH (US)

(**) Term: **15 Years**

(21) Appl. No.: **29/561,128**

(22) Filed: **Apr. 13, 2016**

(51) **LOC (10) Cl.** **09-03**

(52) **U.S. Cl.**
USPC **D9/423**

(58) **Field of Classification Search**
USPC D9/423, 422, 420, 424, 426, 428, 415, D9/425, 756; D3/302, 273; D7/629; D19/185; D12/114; D24/222; D14/217, D14/204; 206/469, 461, 365, 459.5
(Continued)

(56) **References Cited**

U.S. PATENT DOCUMENTS

3,913,734 A * 10/1975 Siegel B65D 75/366
206/459.5
4,106,621 A * 8/1978 Sorenson A61M 5/002
206/365

(Continued)

Primary Examiner — Rhea Shields

(74) *Attorney, Agent, or Firm* — Proskauer Rose LLP

(57) **CLAIM**

The ornamental design for a package, as shown and described.

DESCRIPTION

FIG. 1 is a perspective view of a first embodiment of a package;

FIG. 2 is a front view thereof;
FIG. 3 is a back view thereof;
FIG. 4 is a left view thereof;
FIG. 5 is a right view thereof;
FIG. 6 is a top view thereof;
FIG. 7 is a bottom view thereof;
FIG. 8 is a perspective view of a second embodiment of a package;
FIG. 9 is a front view thereof;
FIG. 10 is a back view thereof;
FIG. 11 is a left view thereof;
FIG. 12 is a right view thereof;
FIG. 13 is a top view thereof;
FIG. 14 is a bottom view thereof;
FIG. 15 is a perspective view of a third embodiment of a package;
FIG. 16 is a front view thereof;
FIG. 17 is a back view thereof;
FIG. 18 is a left view thereof;
FIG. 19 is a right view thereof;
FIG. 20 is a top view thereof;
FIG. 21 is a bottom view thereof;
FIG. 22 is a perspective view of a fourth embodiment of a package;
FIG. 23 is a front view thereof;
FIG. 24 is a back view thereof;
FIG. 25 is a left view thereof;
FIG. 26 is a right view thereof;
FIG. 27 is a top view thereof;
FIG. 28 is a bottom view thereof;
FIG. 29 is a perspective view of a fifth embodiment of a package;
FIG. 30 is a front view thereof;
FIG. 31 is a back view thereof;
FIG. 32 is a left view thereof;
FIG. 33 is a right view thereof;
FIG. 34 is a top view thereof; and
FIG. 35 is a bottom view thereof.
FIG. 36 is a perspective view of a sixth embodiment of a package;
FIG. 37 is a front view thereof;
FIG. 38 is a back view thereof;
FIG. 39 is a left view thereof;
FIG. 40 is a right view thereof;

(Continued)

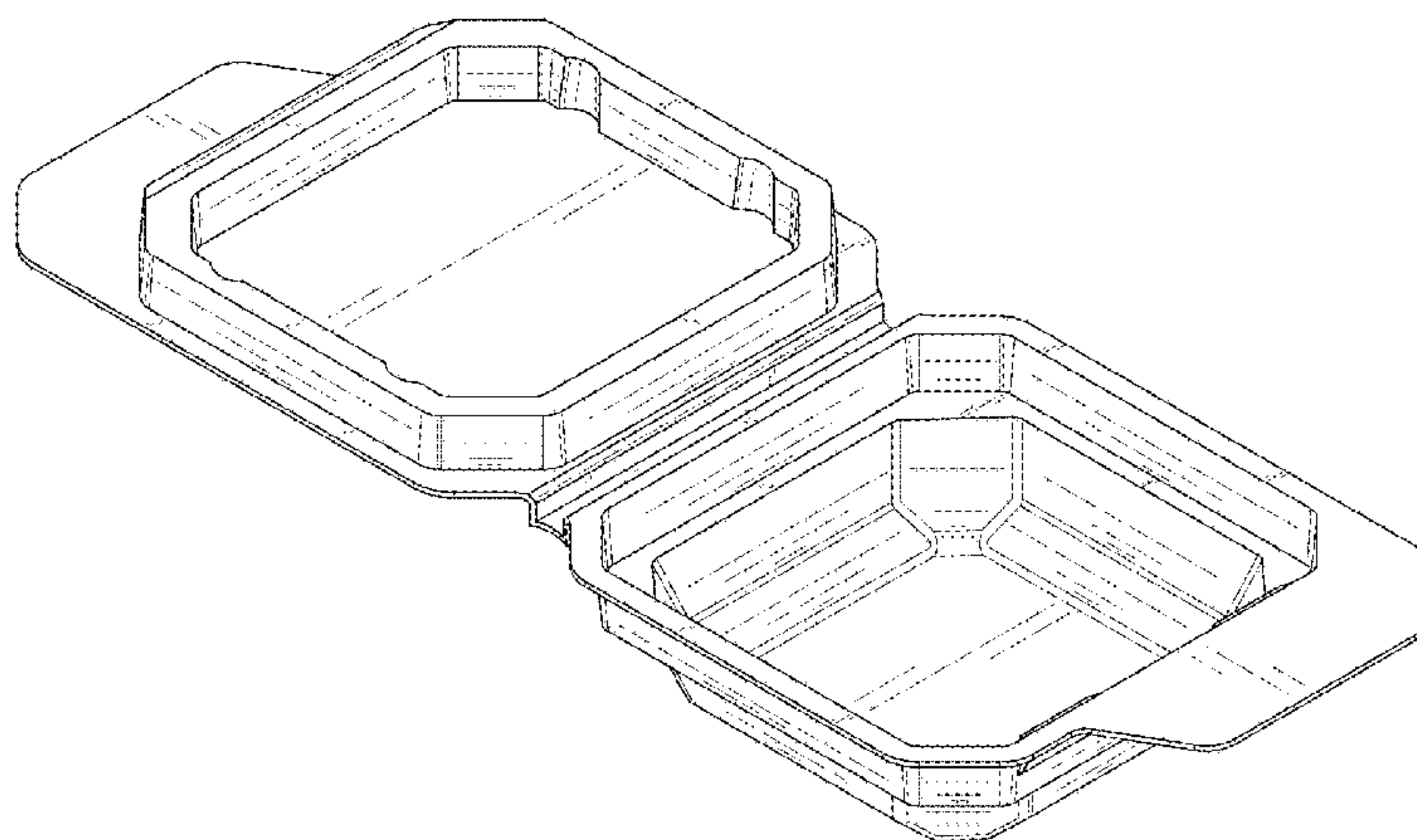


FIG. 41 is a top view thereof; and,
FIG. 42 is a bottom view thereof.

1 Claim, 42 Drawing Sheets

(58) Field of Classification Search

CPC B65D 75/366; B65D 75/225; A61M 5/002
See application file for complete search history.

(56) References Cited

U.S. PATENT DOCUMENTS

4,512,474	A *	4/1985	Harding	B65D 75/225
					206/461
D387,275	S *	12/1997	Hamilton	D9/423
D409,085	S *	5/1999	Wyslotsky	D9/423
D411,448	S *	6/1999	Baker	D9/415
D500,924	S *	1/2005	Martin	D3/302
D513,870	S *	1/2006	Rosine	D3/273
D529,959	S *	10/2006	Oas	D19/185
D550,210	S *	9/2007	Polany	D14/217
8,485,360	B2 *	7/2013	Teys	B65D 75/366
					206/469
D694,618	S *	12/2013	Pham	D9/426
D724,903	S *	3/2015	Chen	D7/629
D739,551	S *	9/2015	Castaing	D24/222
D756,329	S *	5/2016	Warden	D14/204
D756,769	S *	5/2016	Tuchrelo	D9/425
D756,770	S *	5/2016	Snedden	D9/425
D764,357	S *	8/2016	Hinsey	D12/114
D769,131	S *	10/2016	Church	D9/756
D769,734	S *	10/2016	Church	D9/756

* cited by examiner

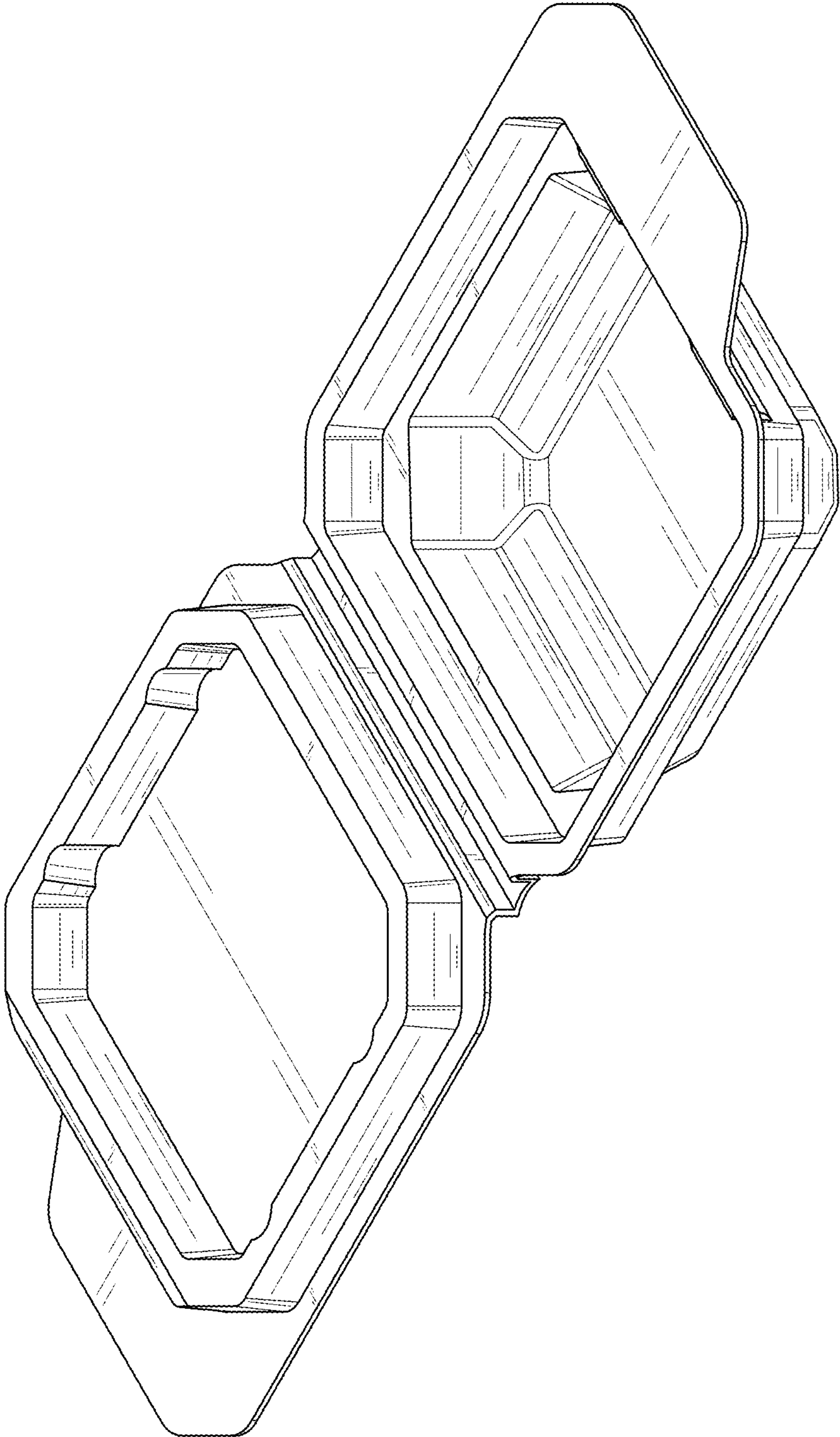


FIG. 1

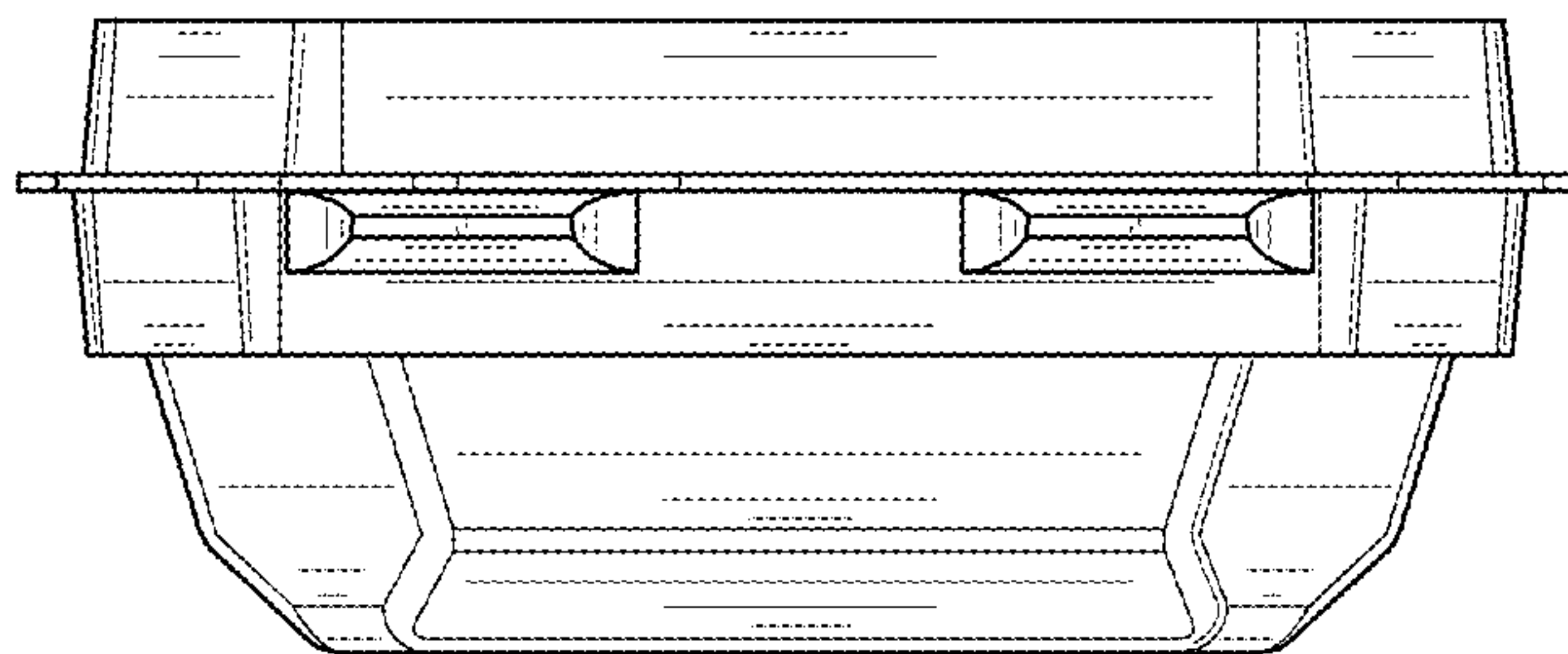


FIG. 2

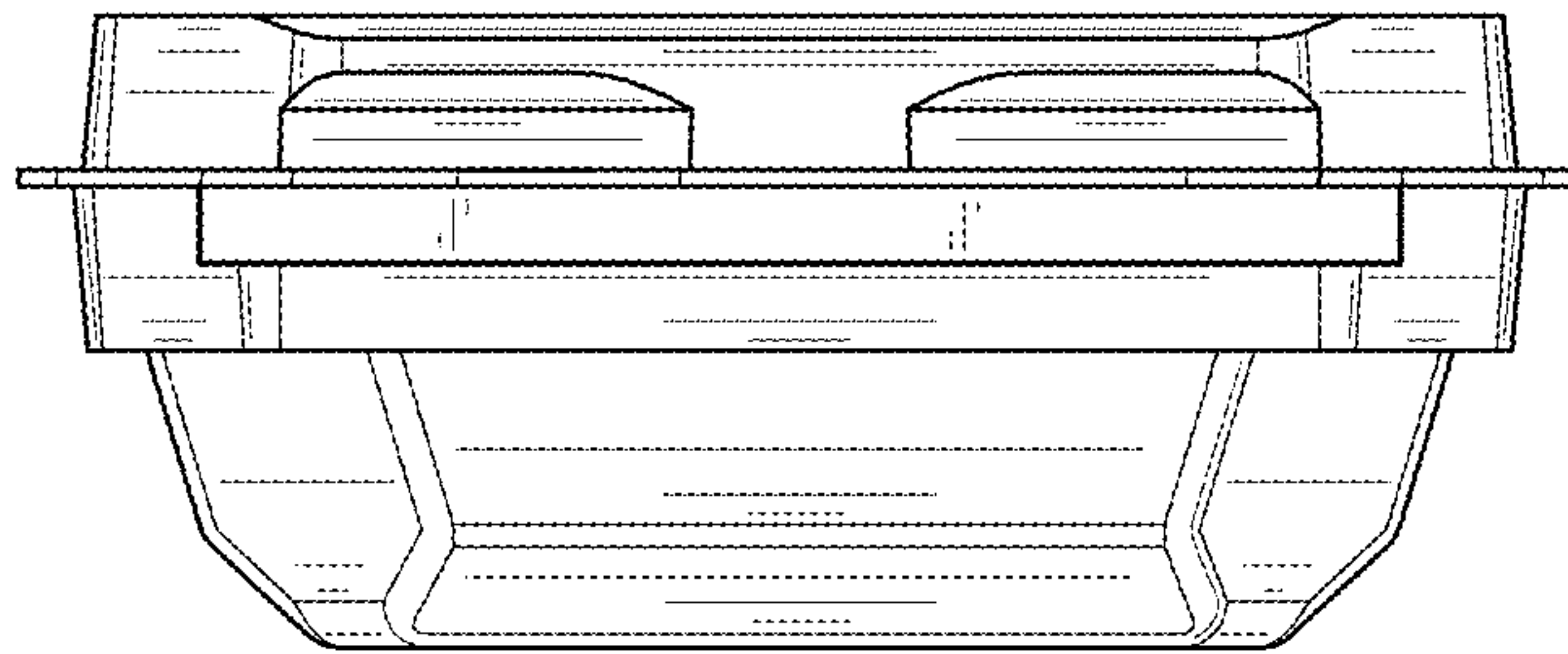


FIG. 3

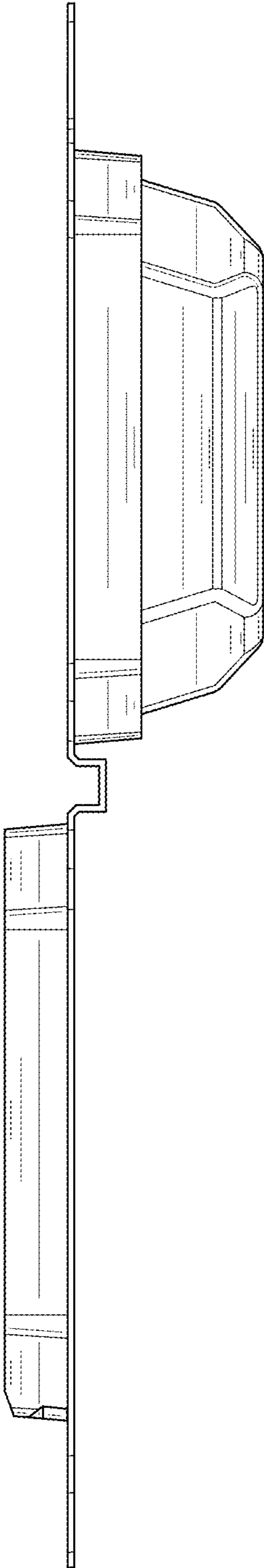


FIG. 4

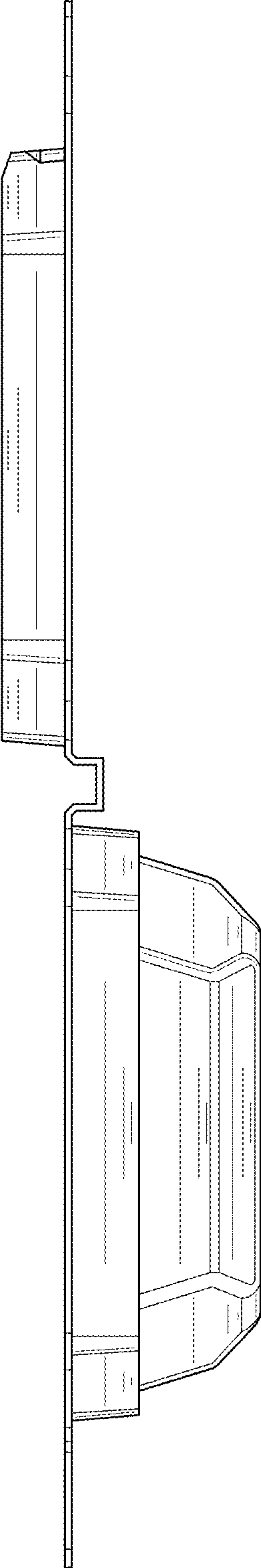


FIG. 5

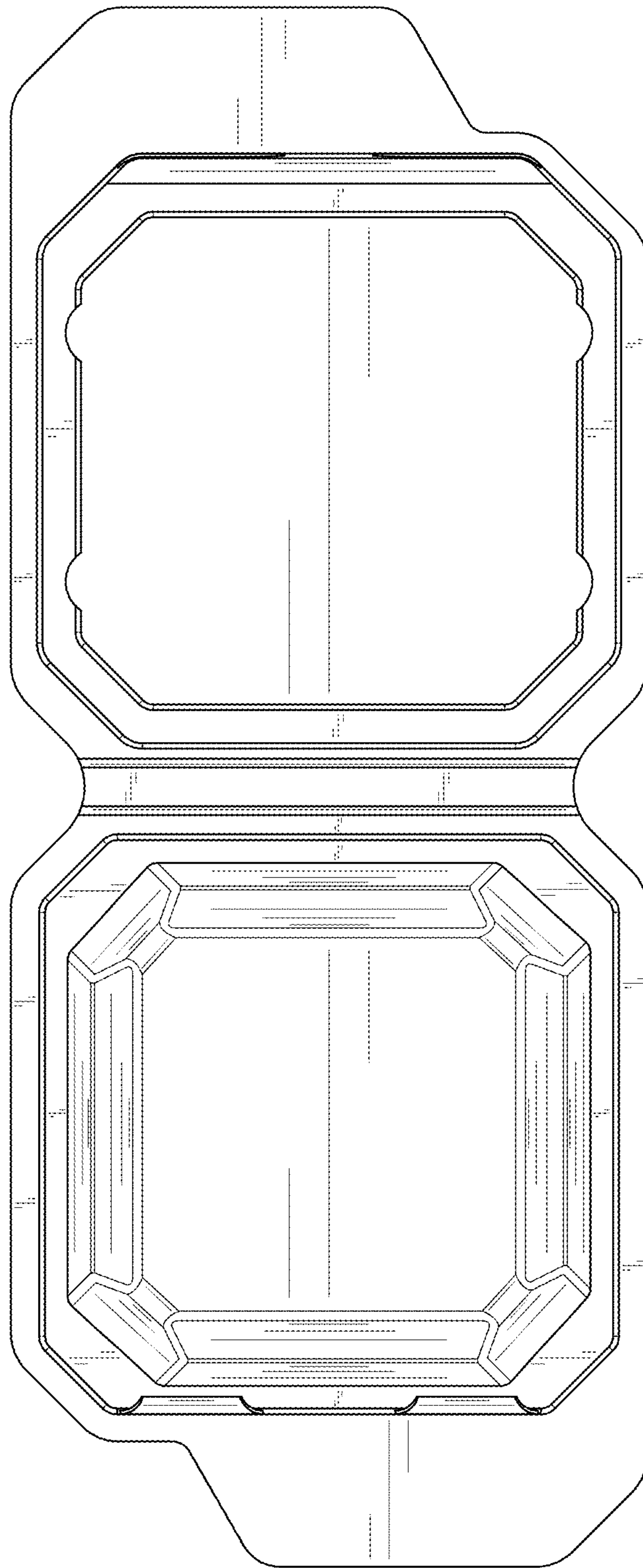


FIG. 6

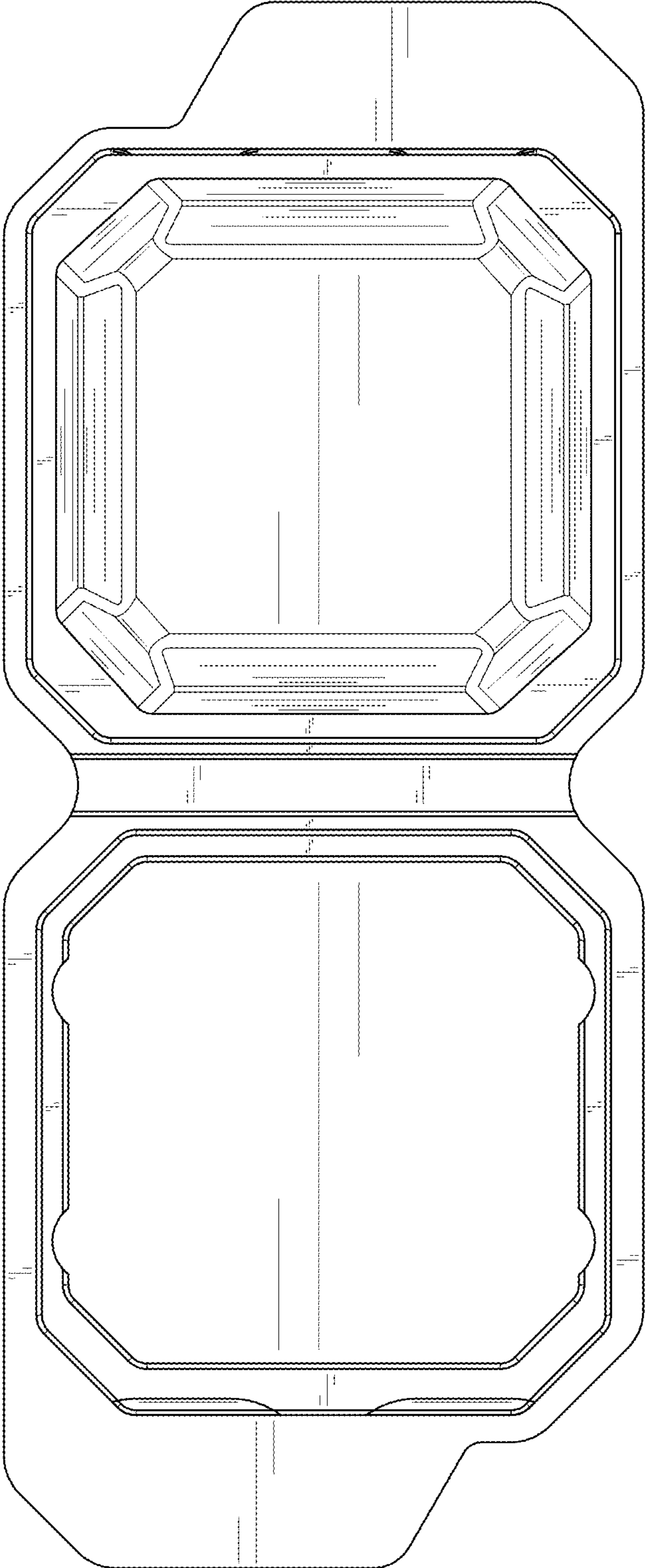


FIG. 7

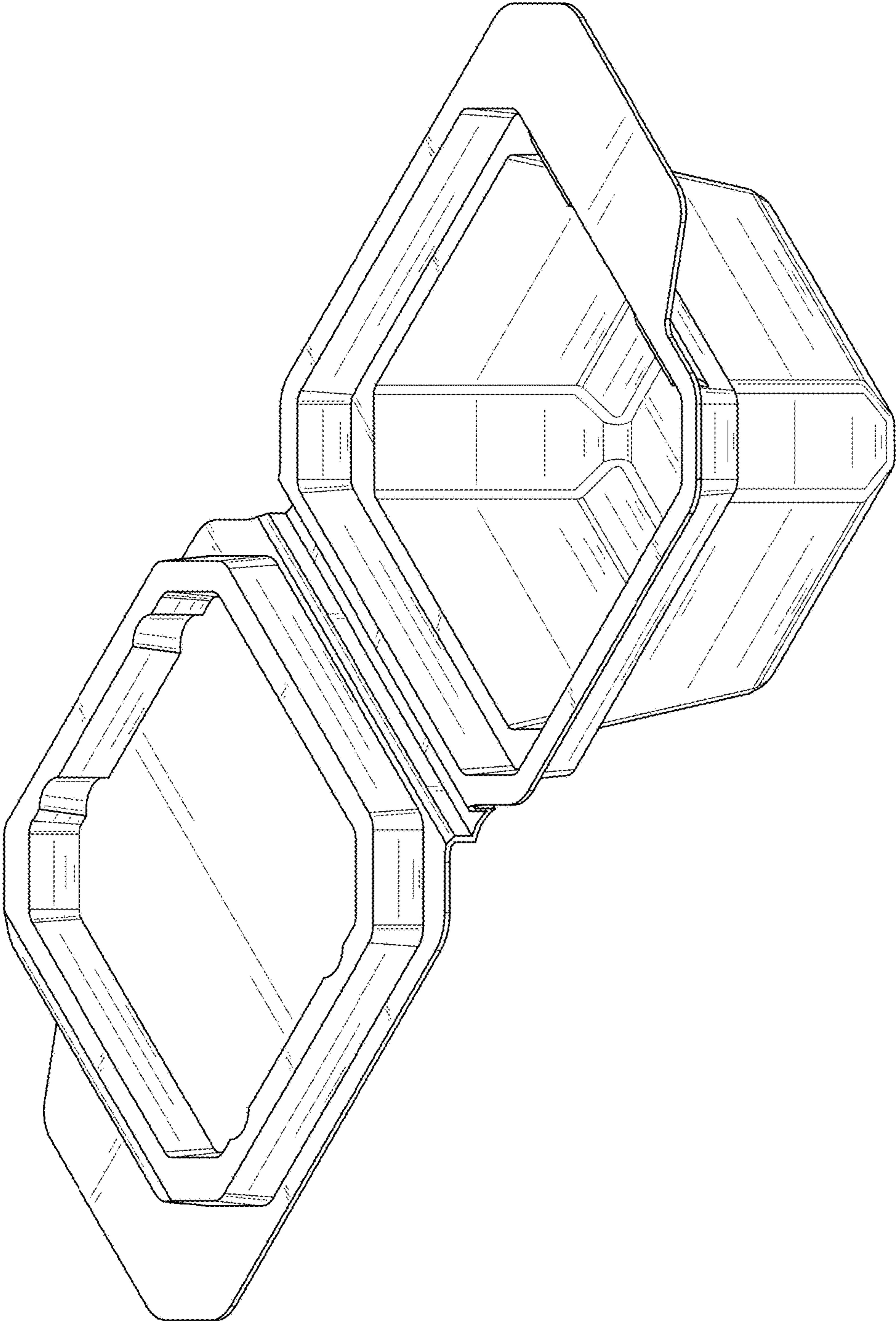


FIG. 8

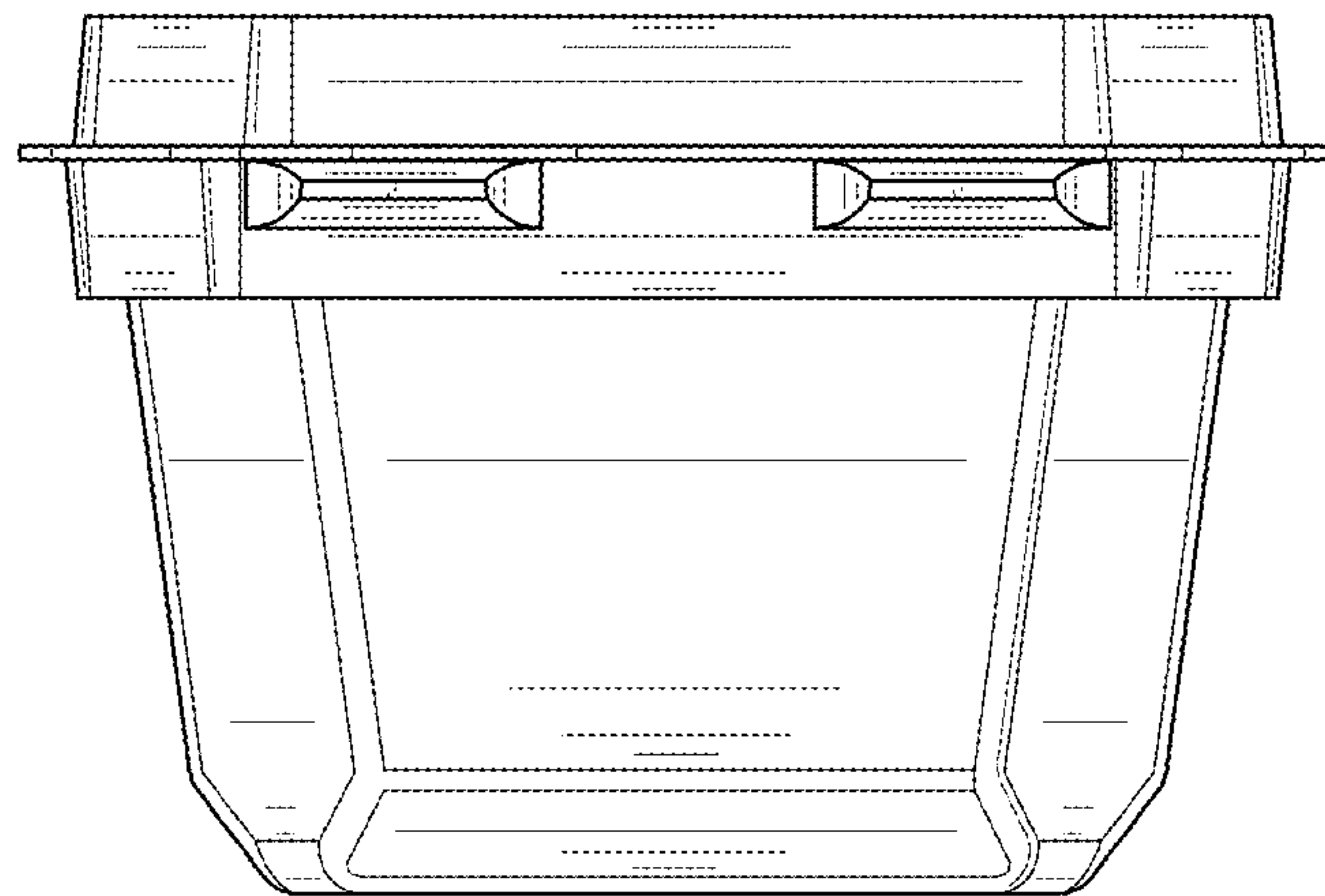


FIG. 9

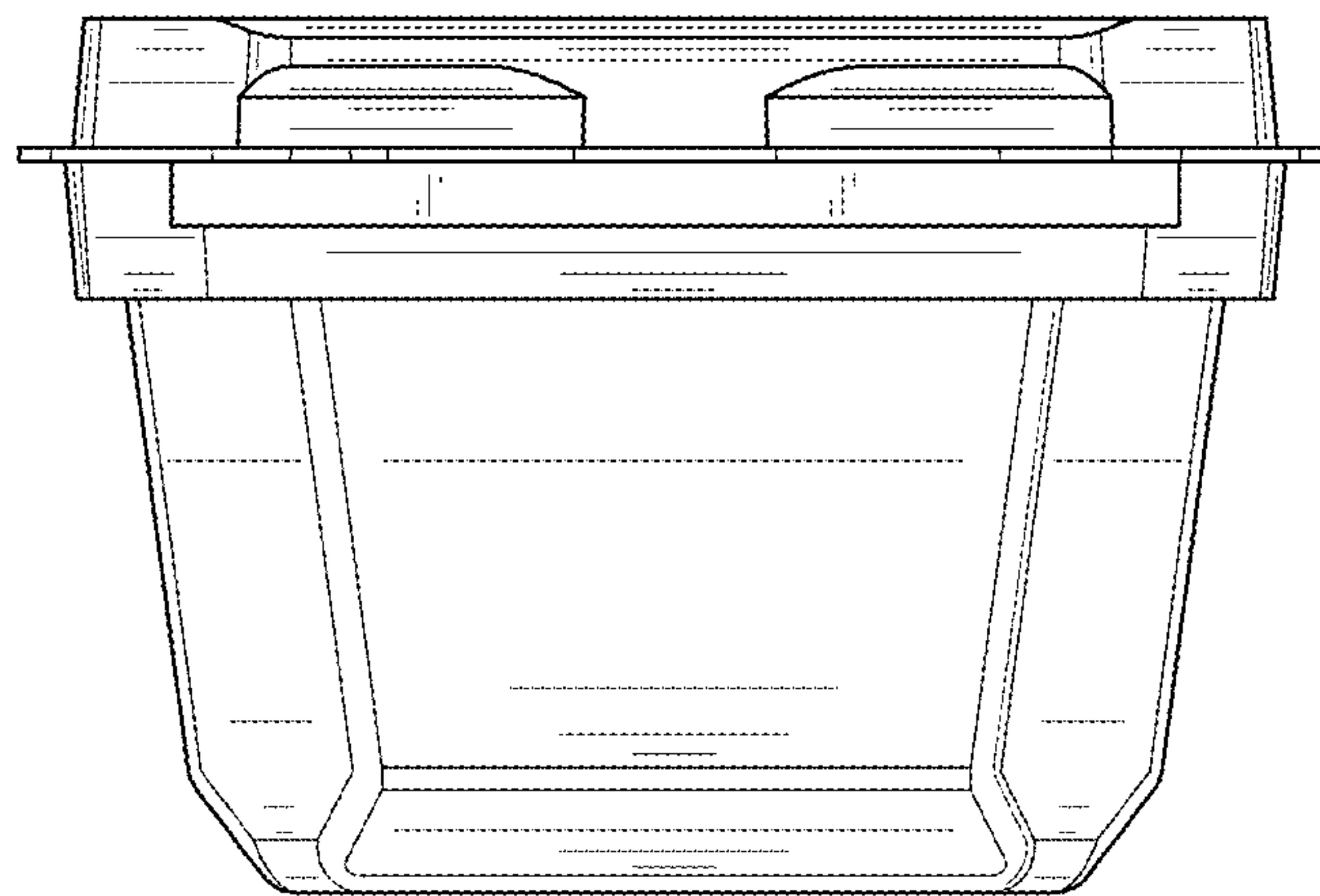


FIG. 10

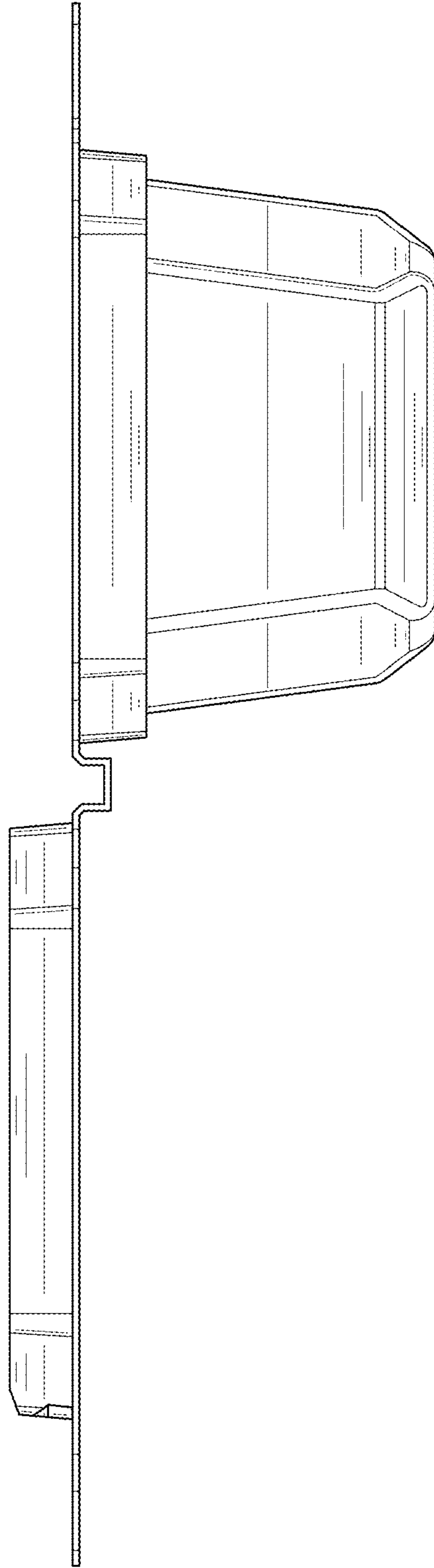


FIG. 11

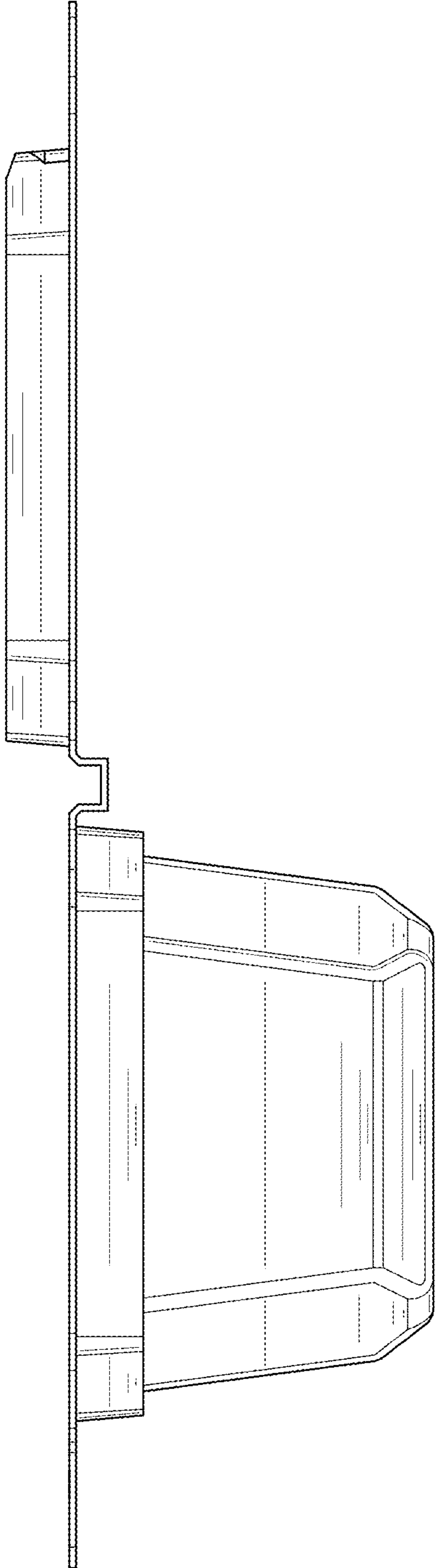


FIG. 12

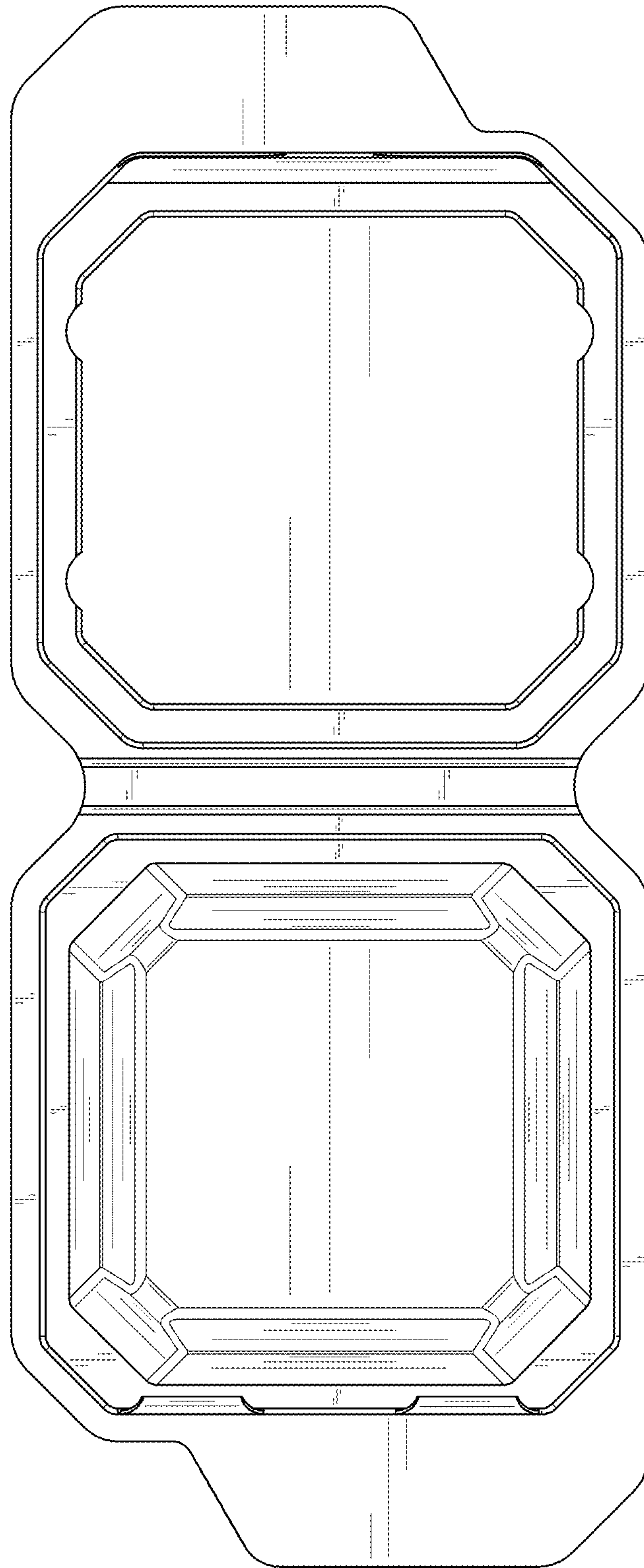


FIG. 13

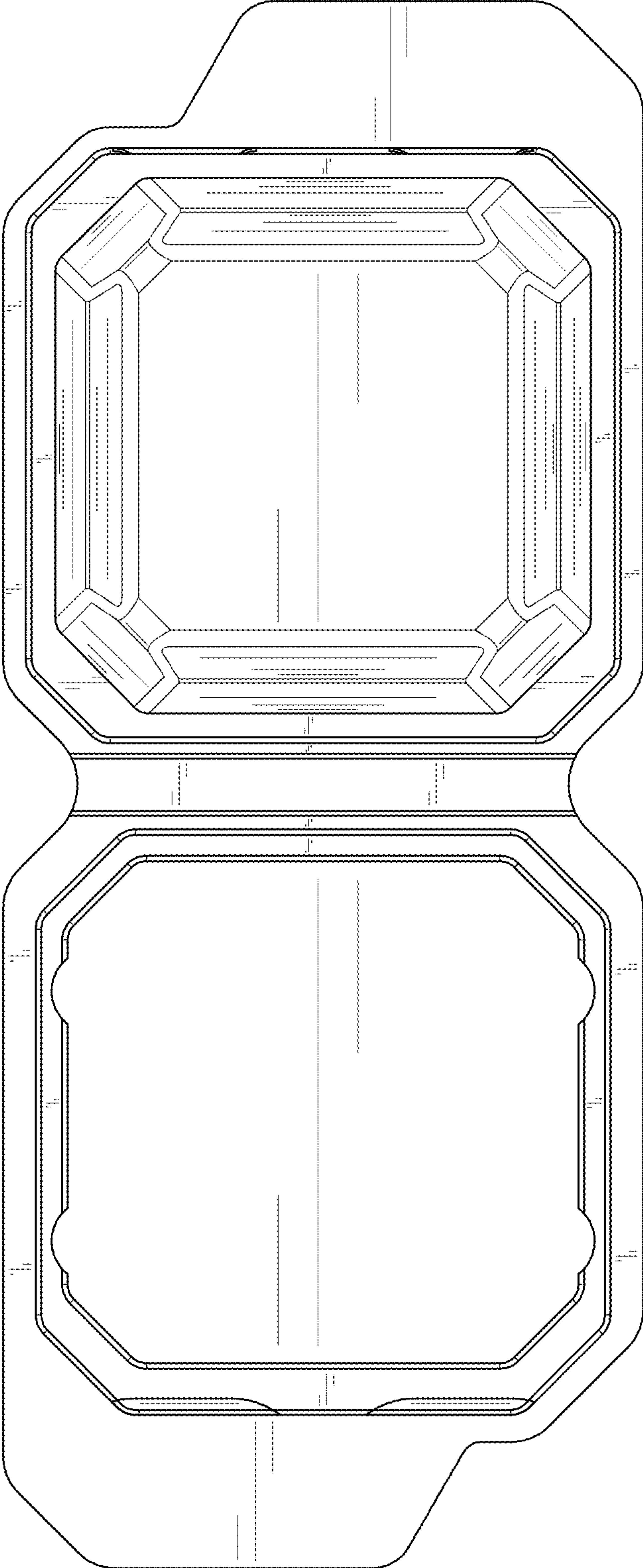


FIG. 14

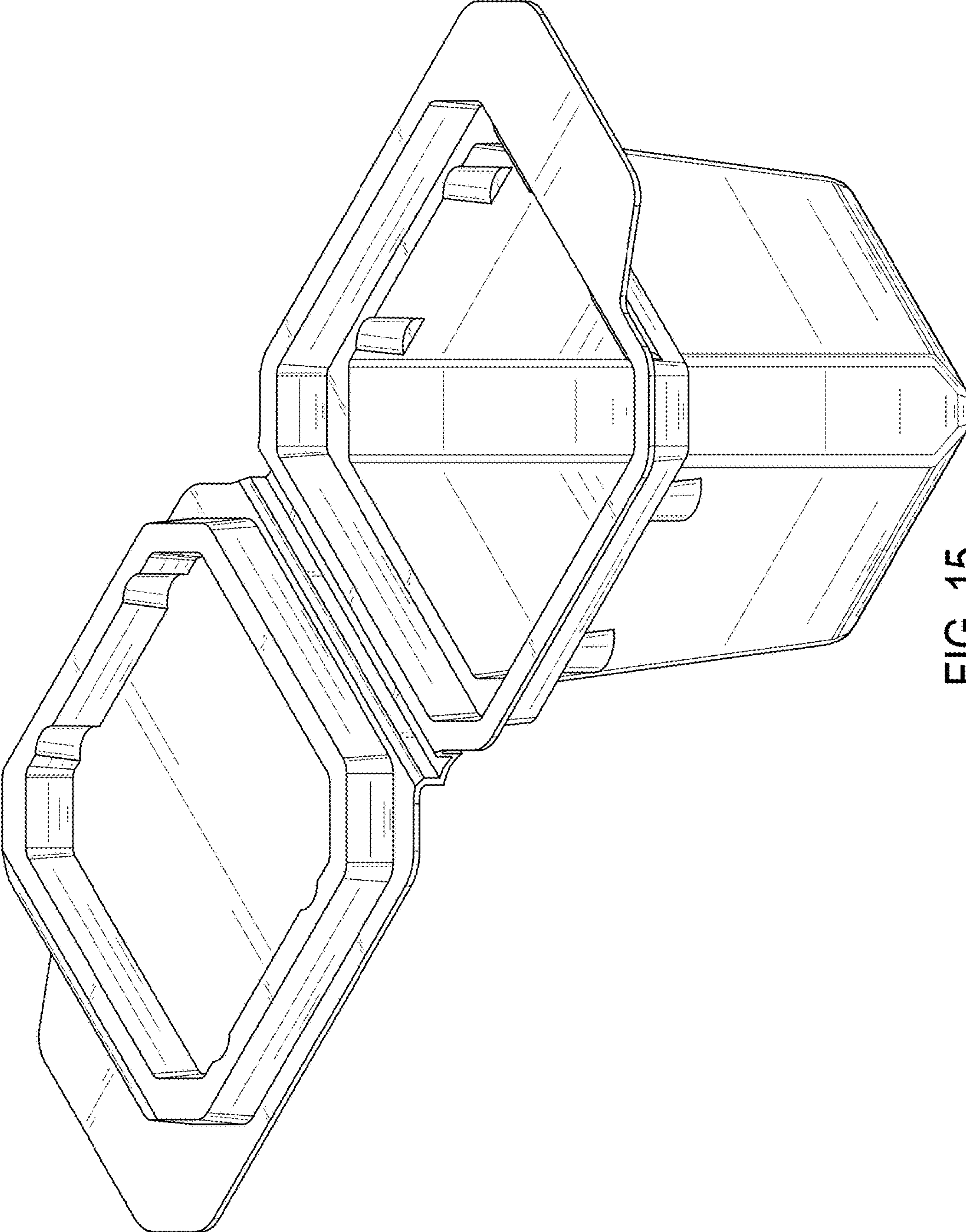


FIG. 15

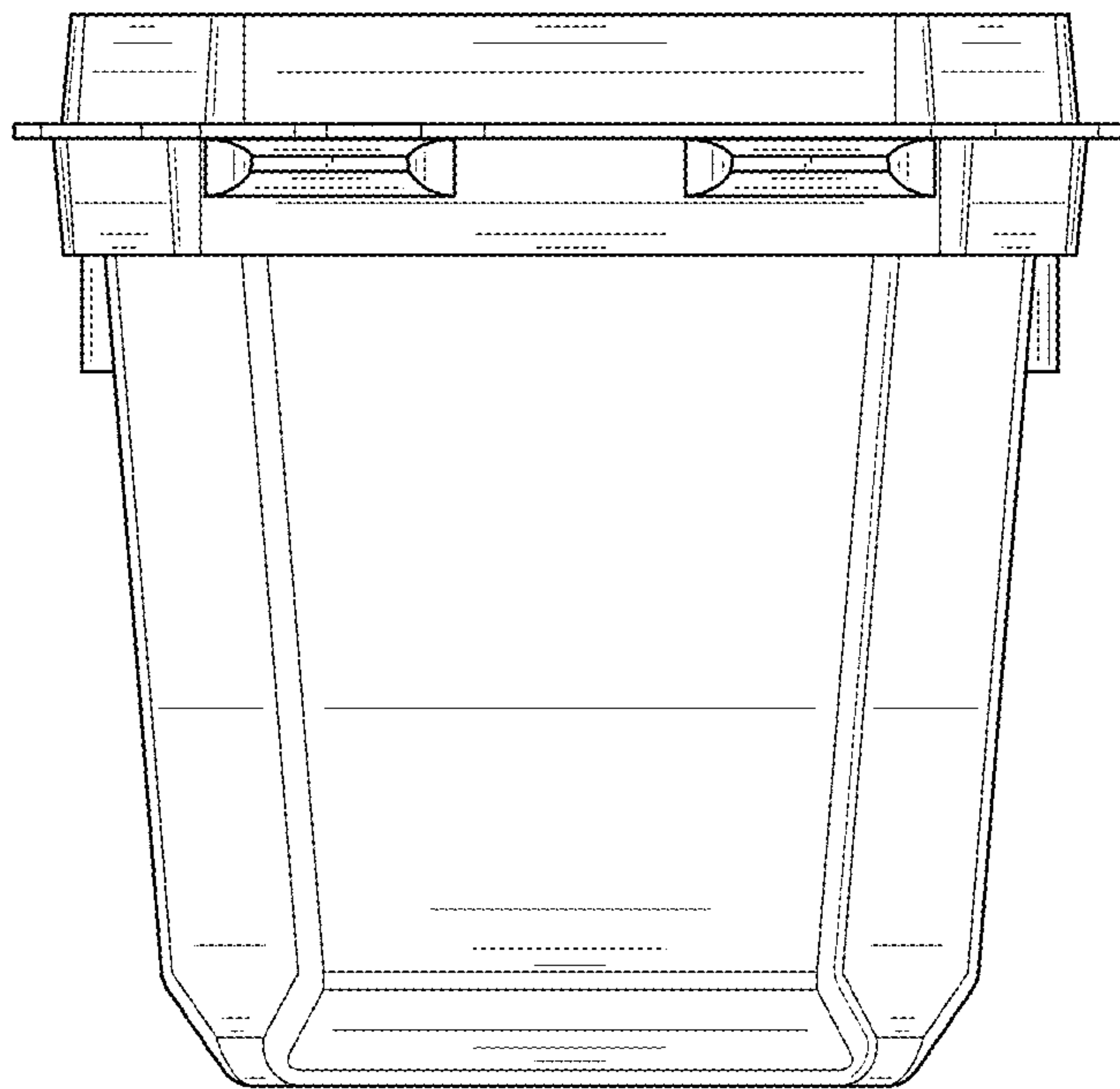


FIG. 16

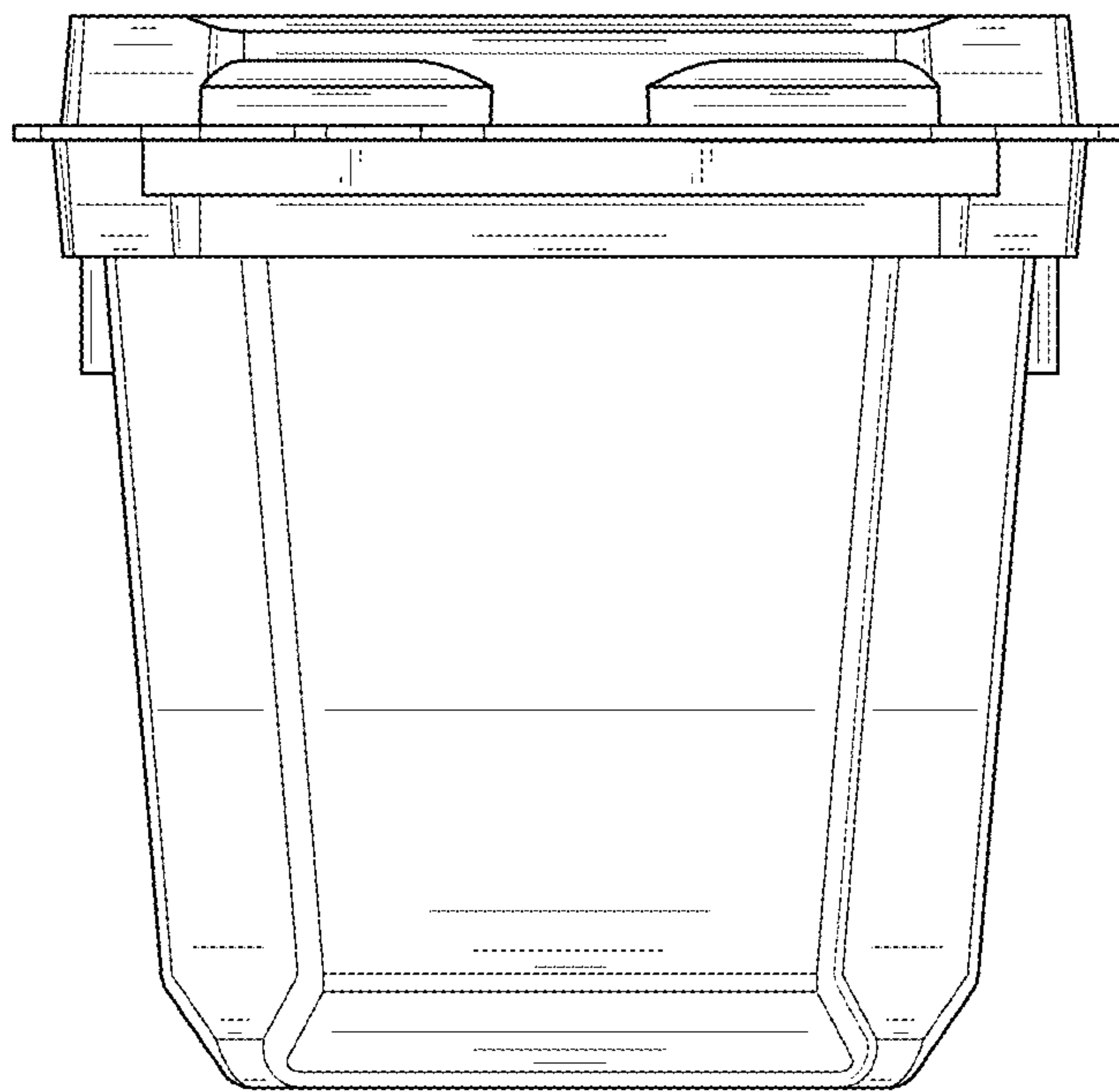


FIG. 17

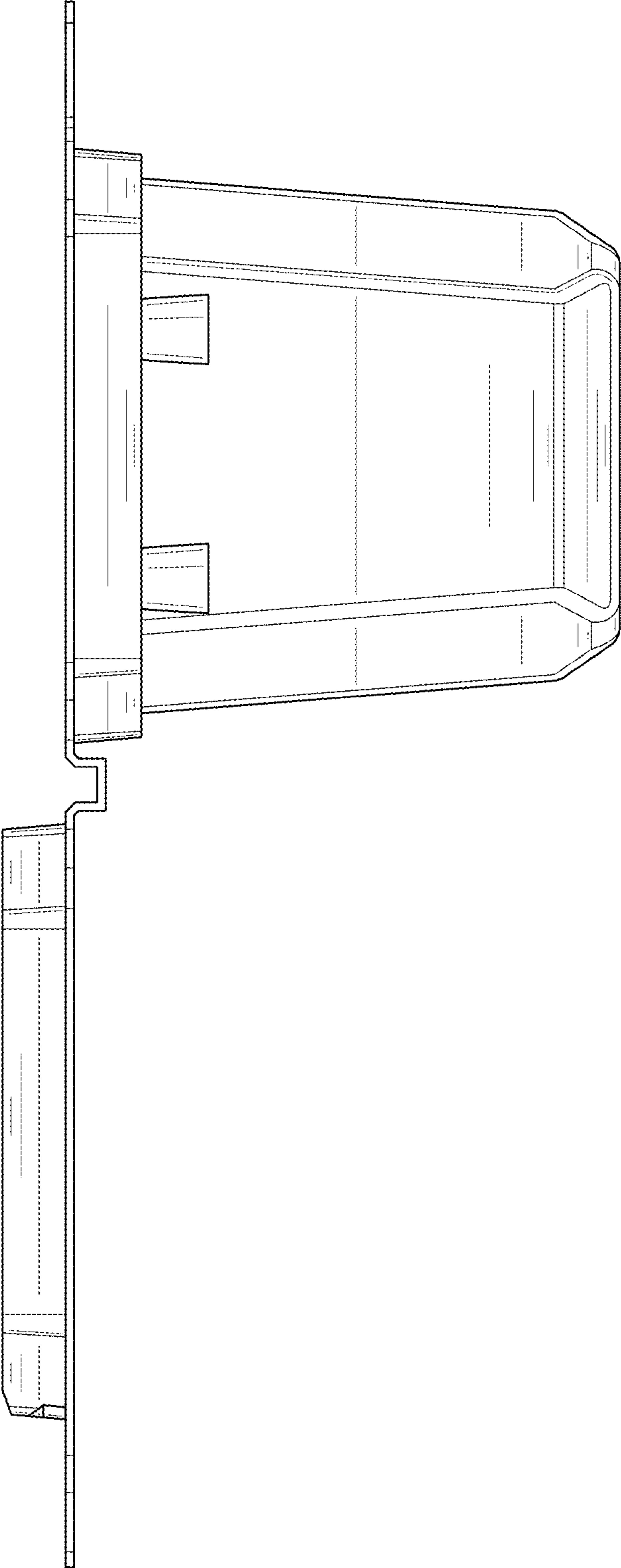


FIG. 18

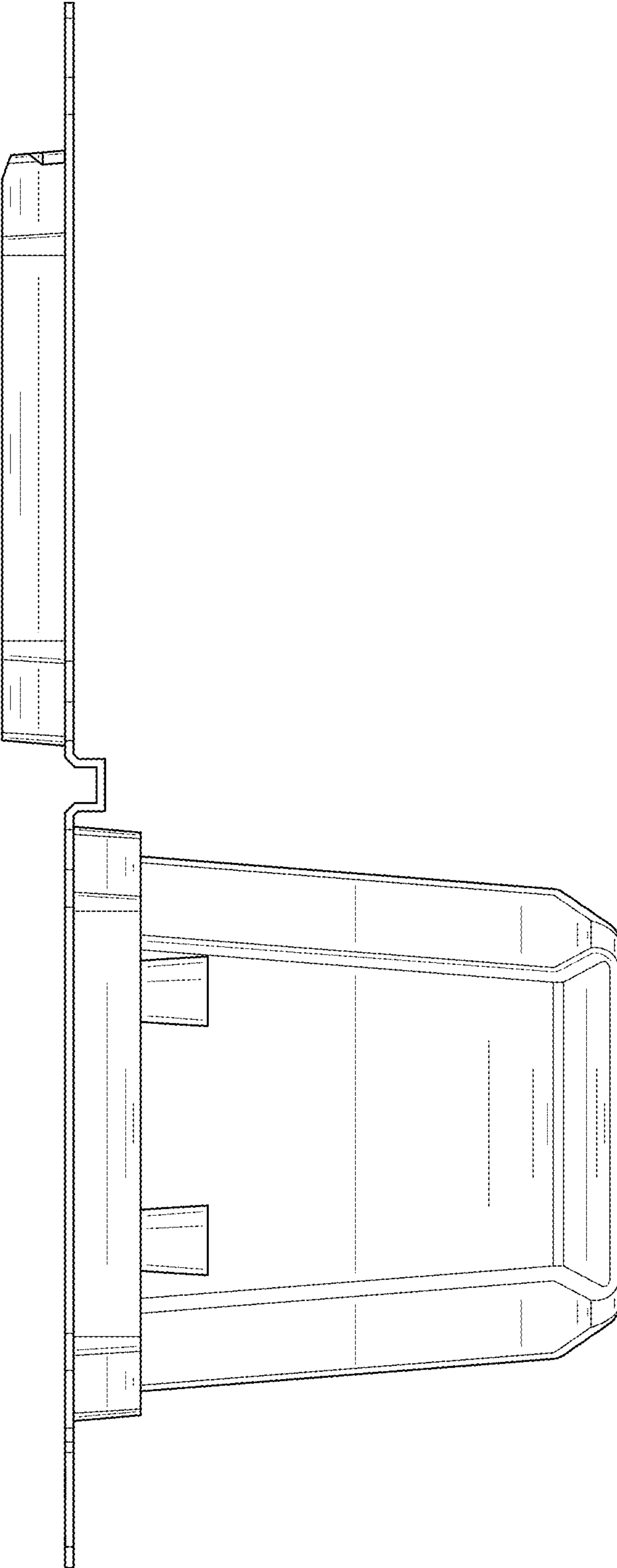


FIG. 19

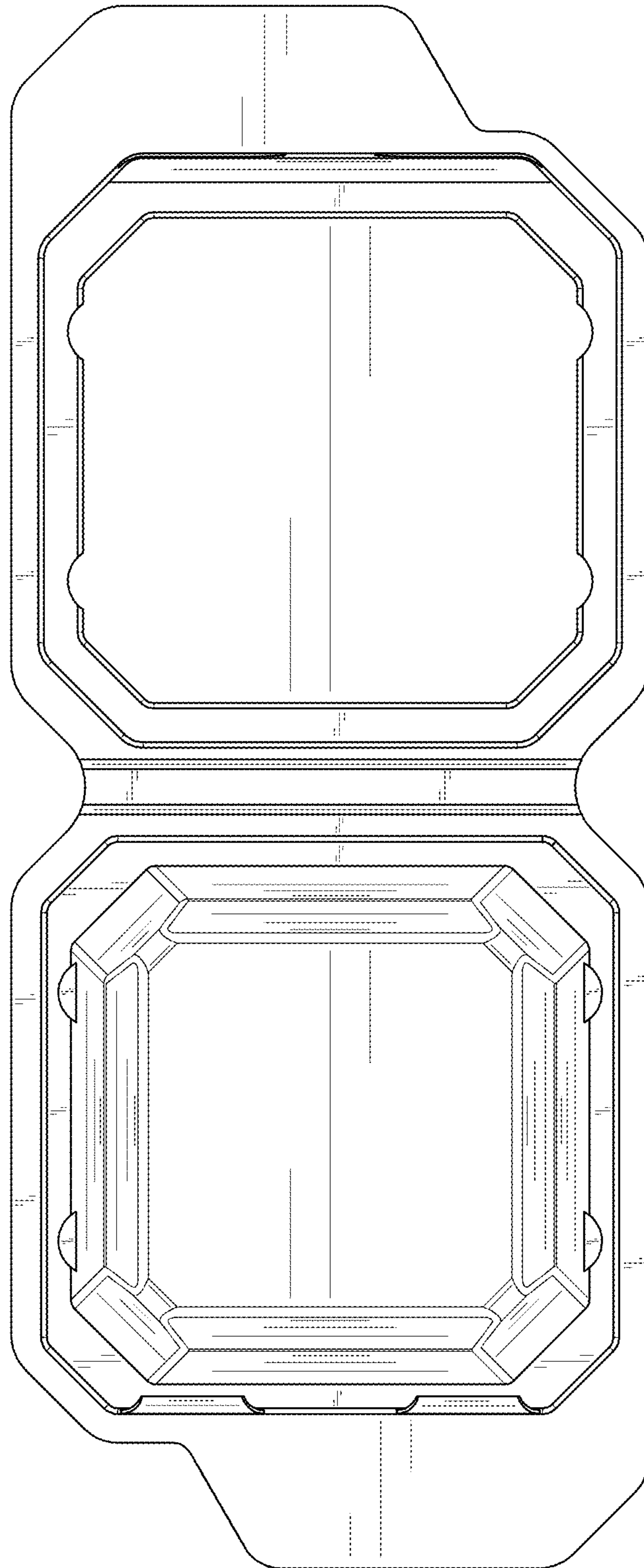


FIG. 20

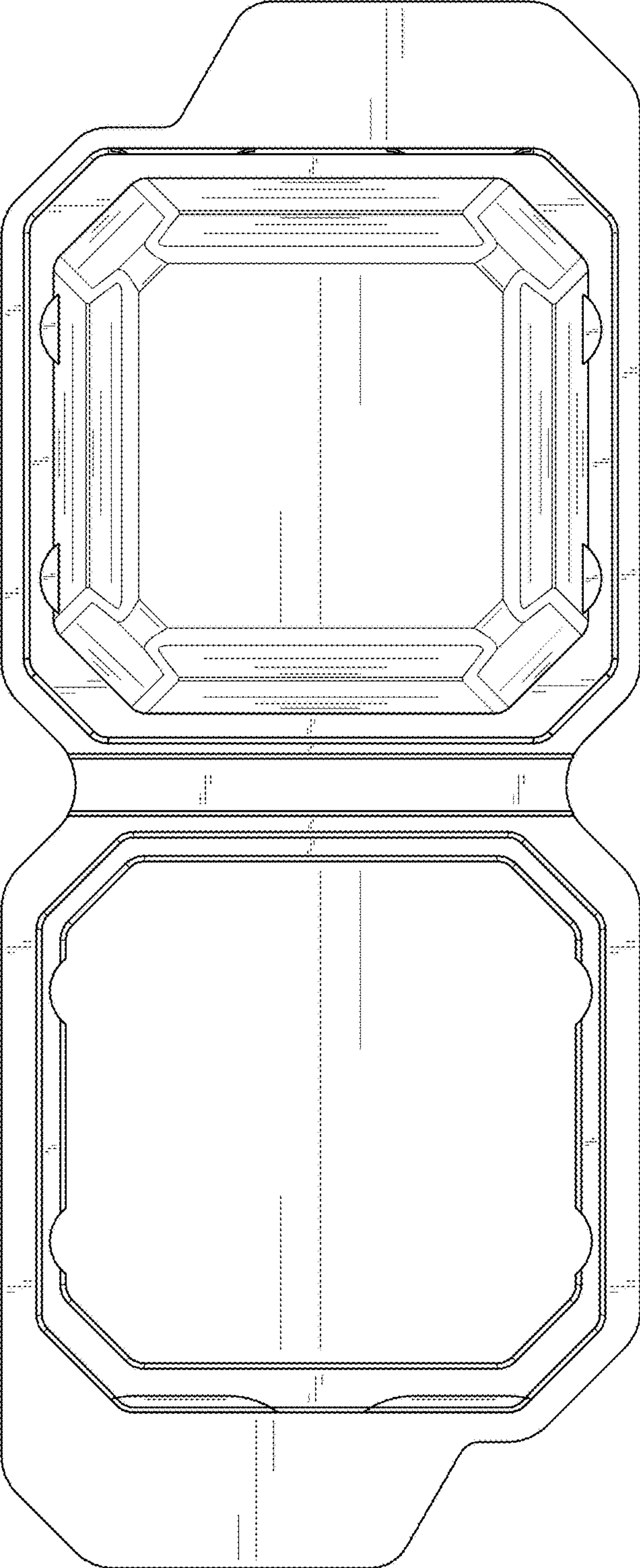


FIG. 21

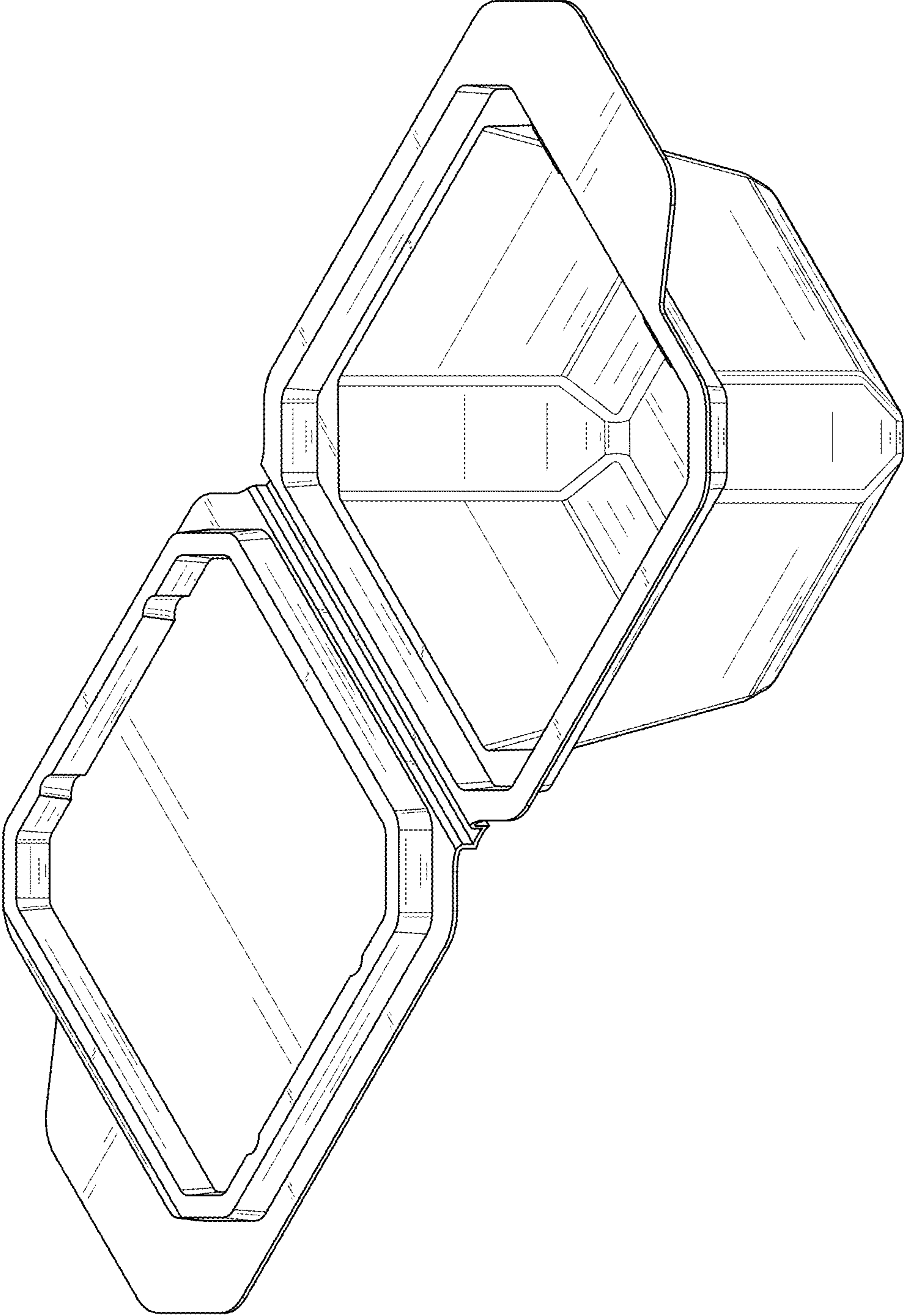


FIG. 22

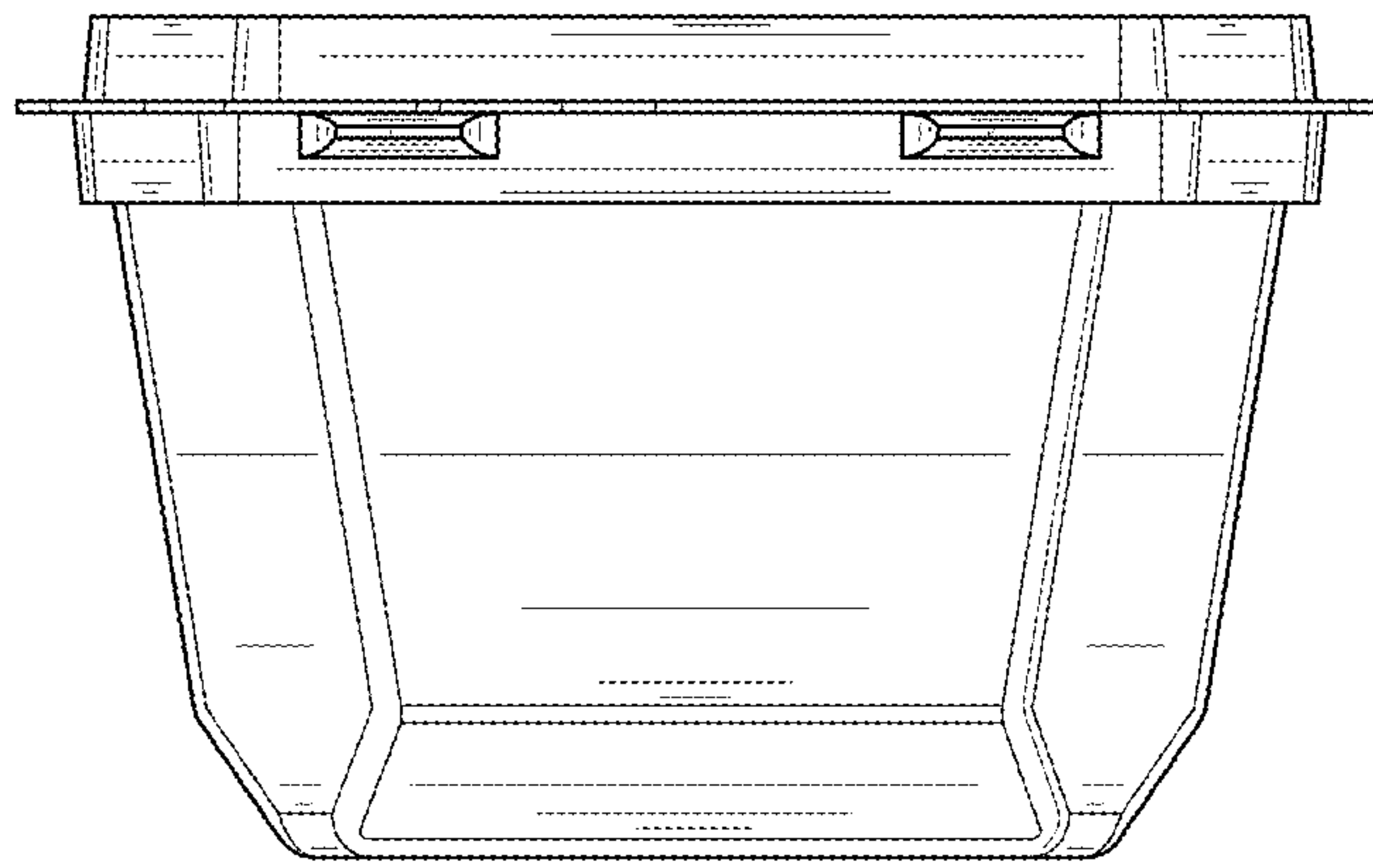


FIG. 23

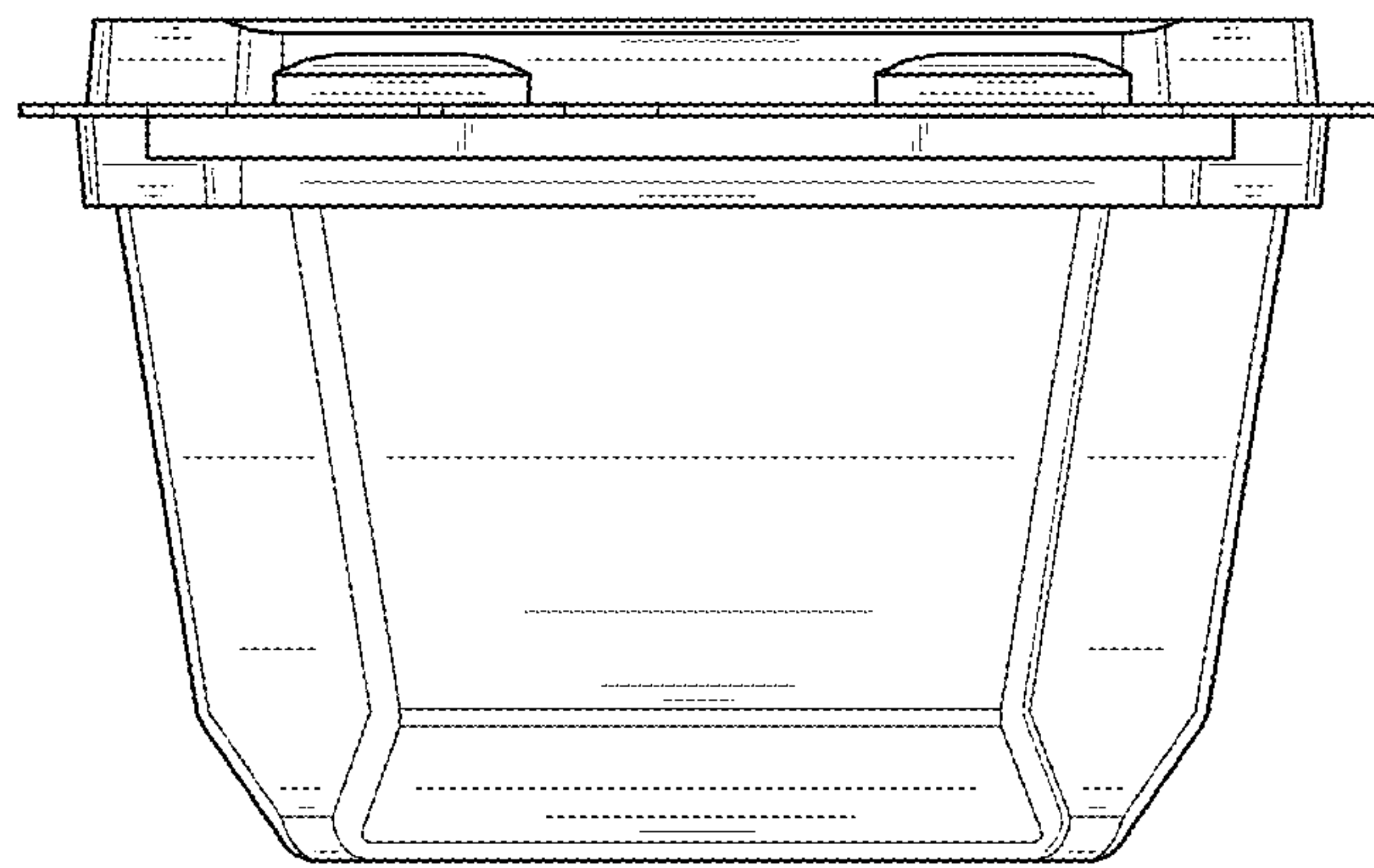


FIG. 24

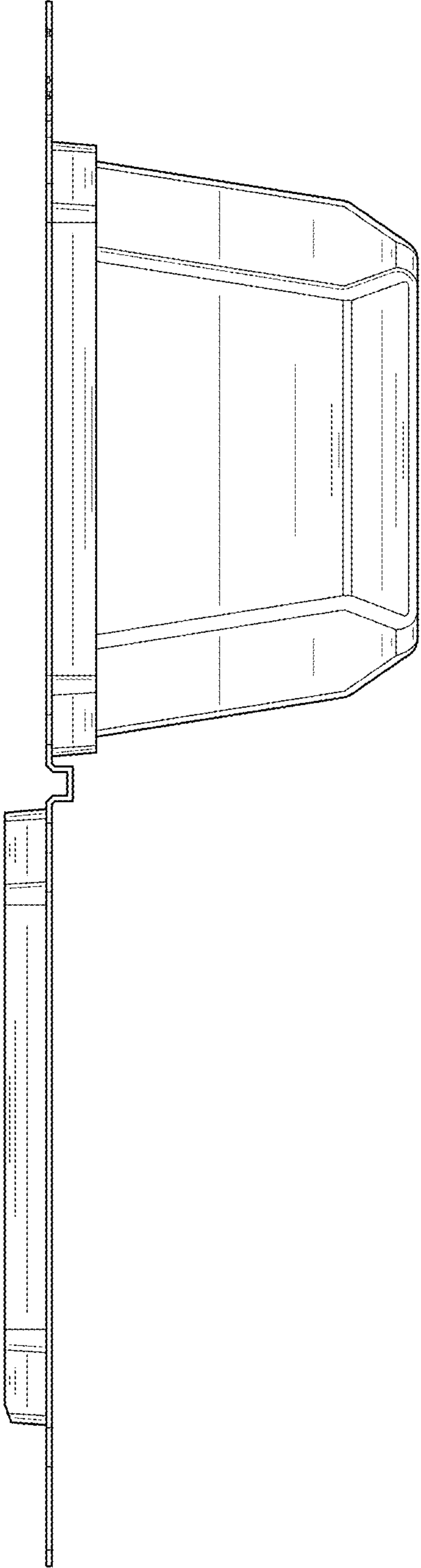


FIG. 25

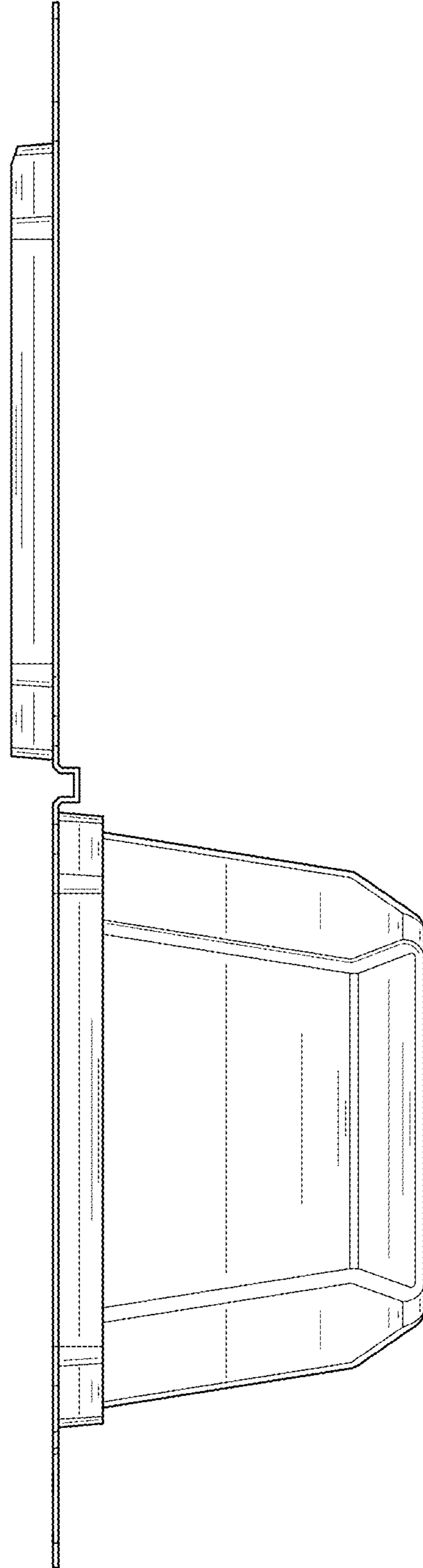


FIG. 26

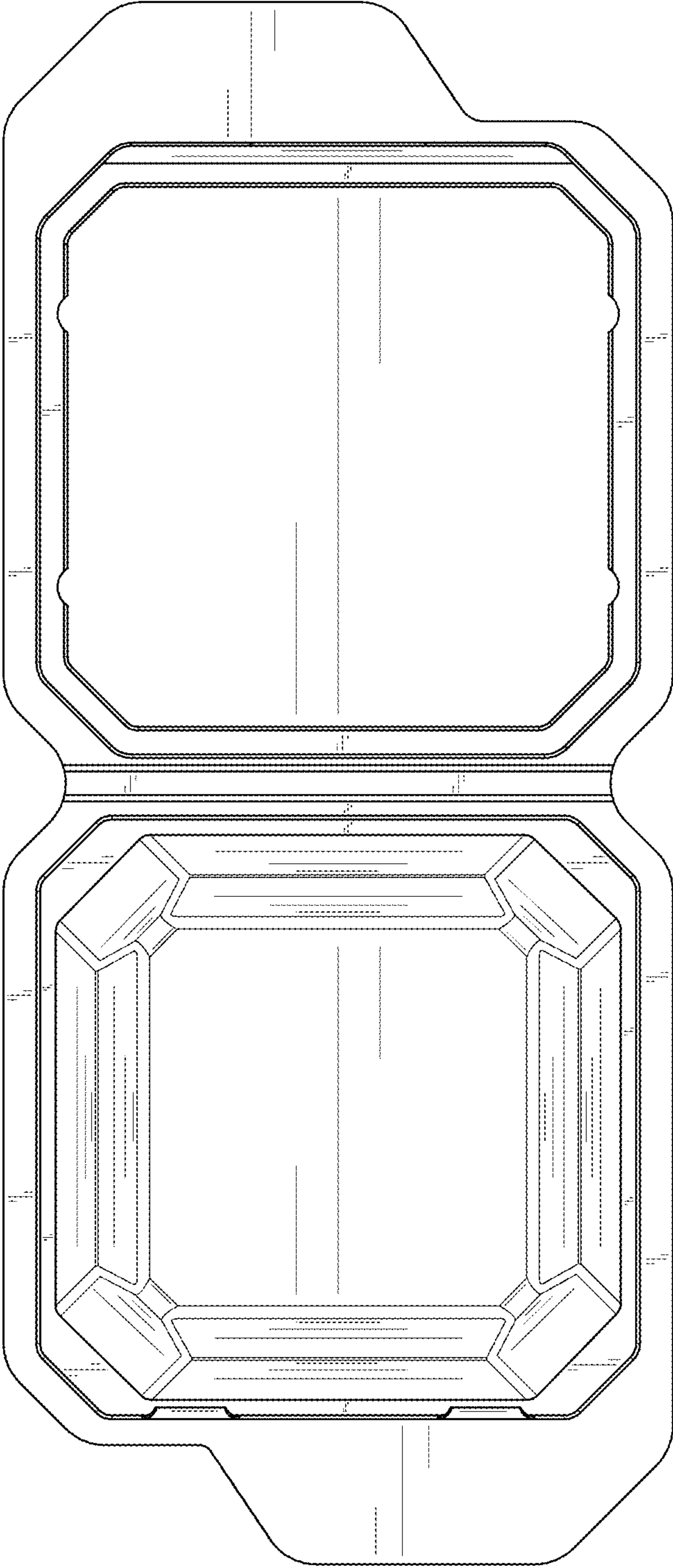


FIG. 27

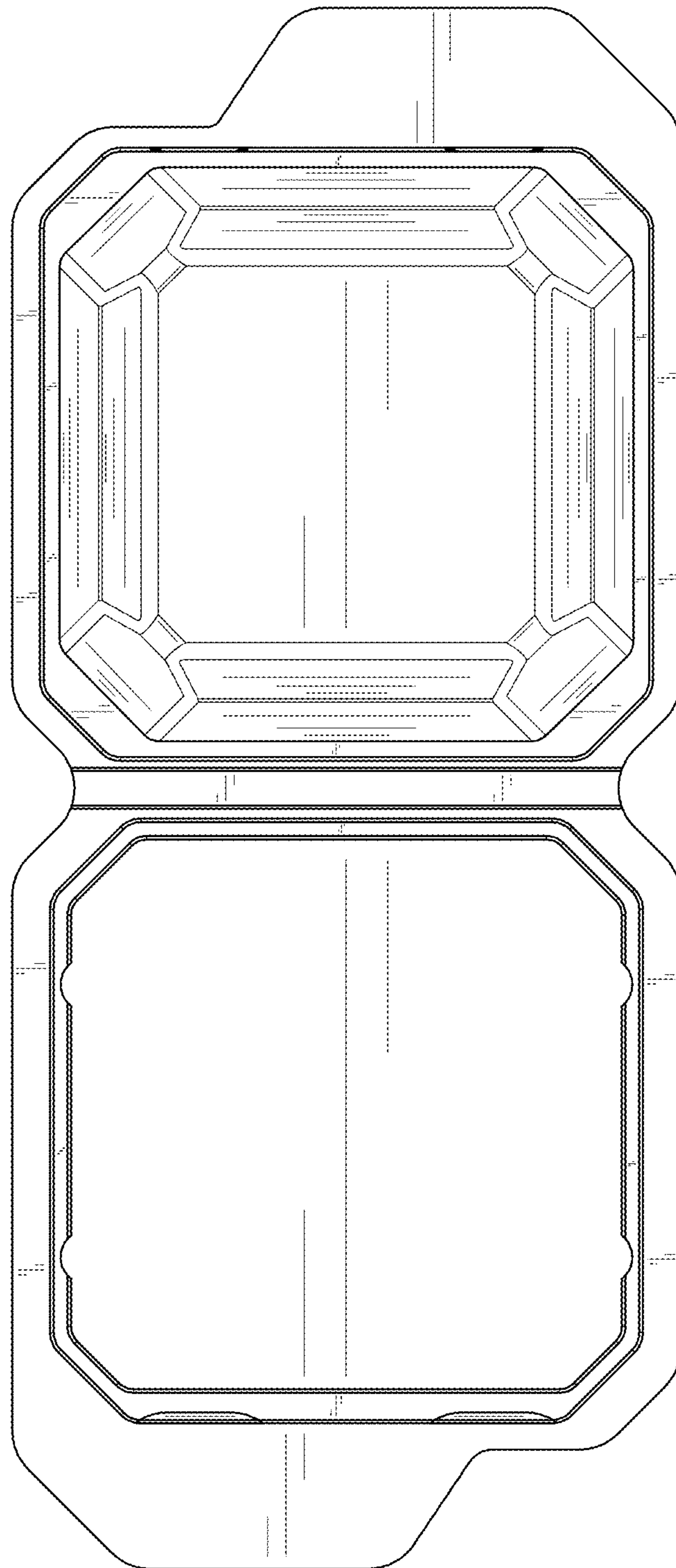


FIG. 28

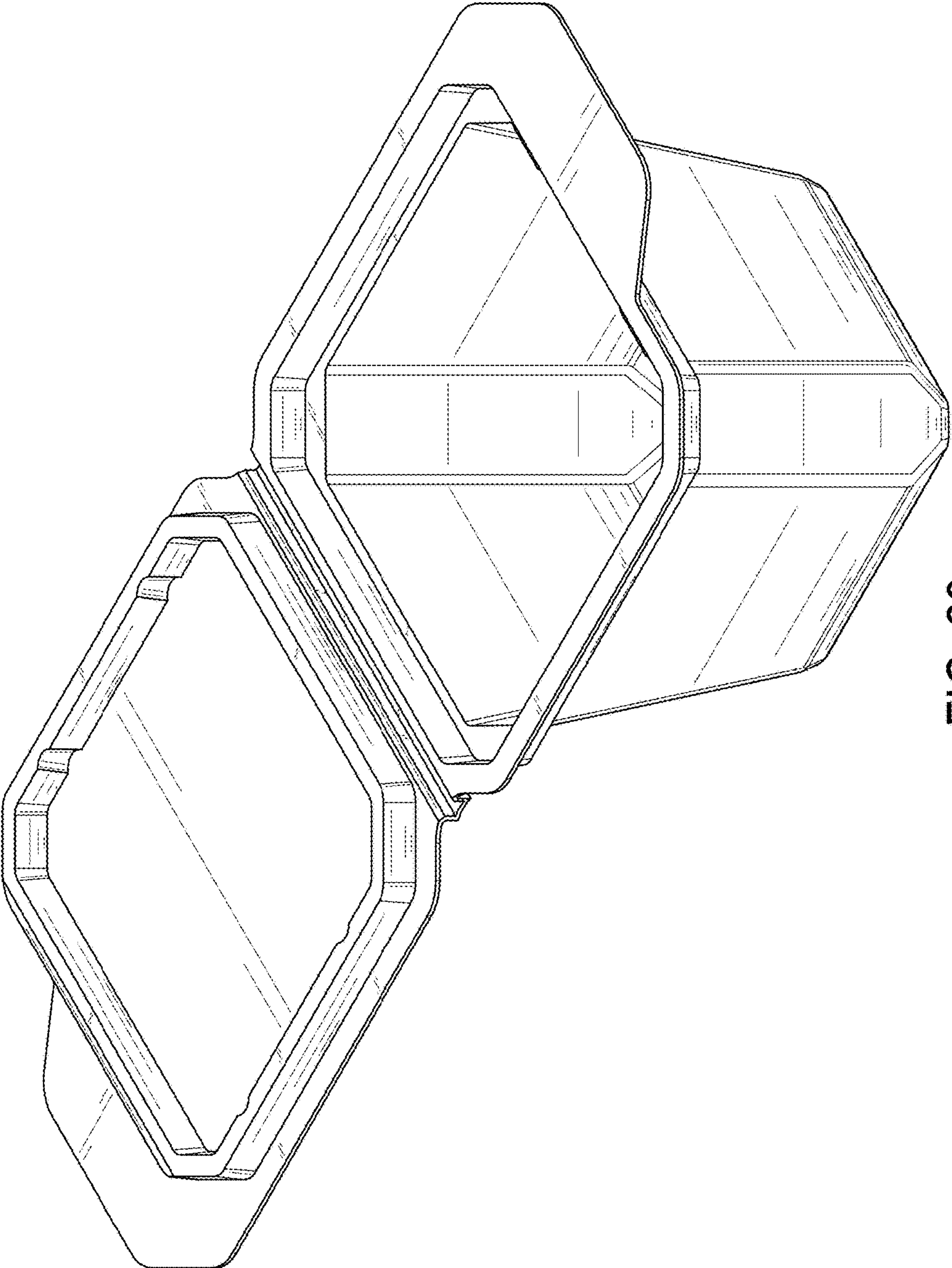


FIG. 29

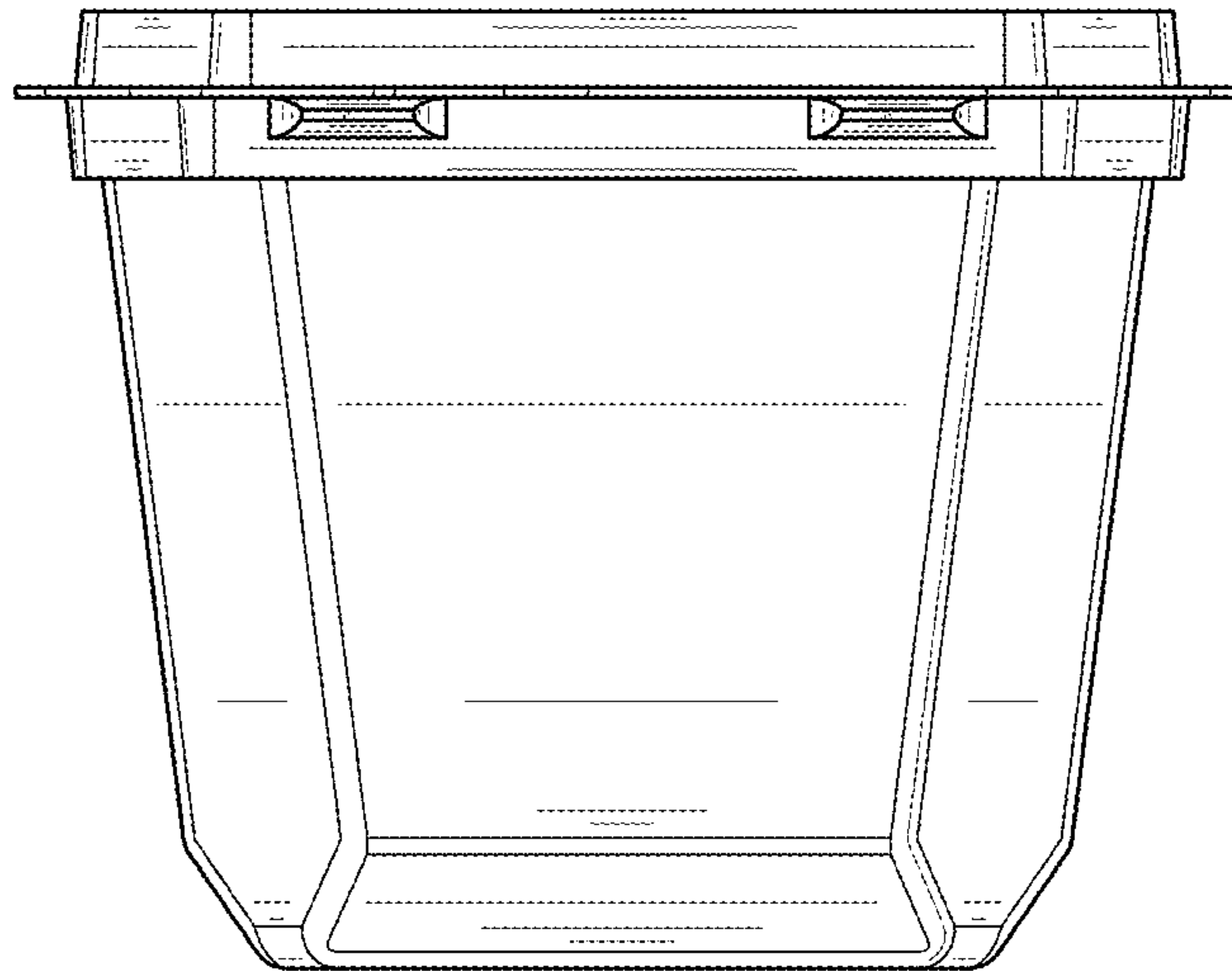


FIG. 30

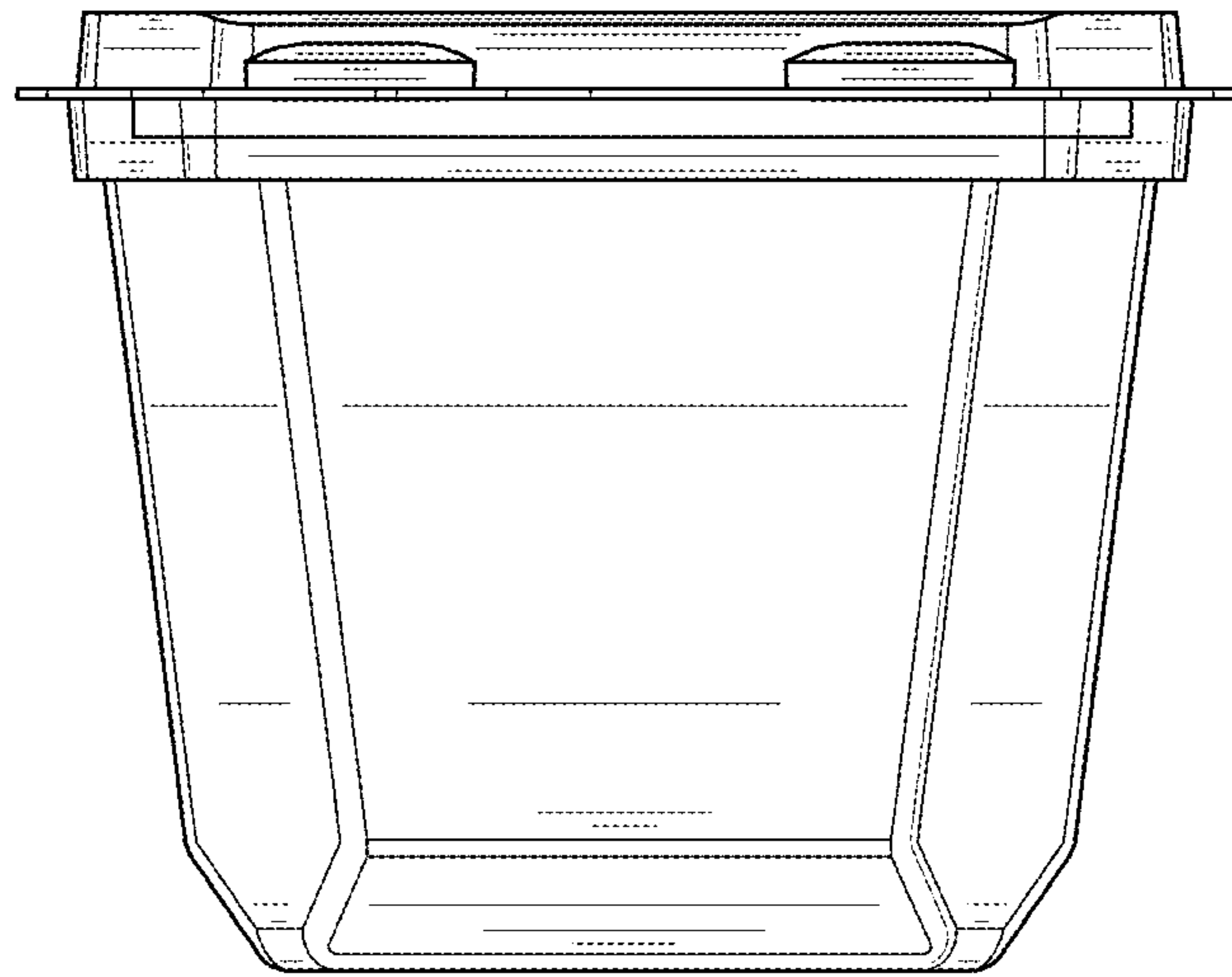


FIG. 31

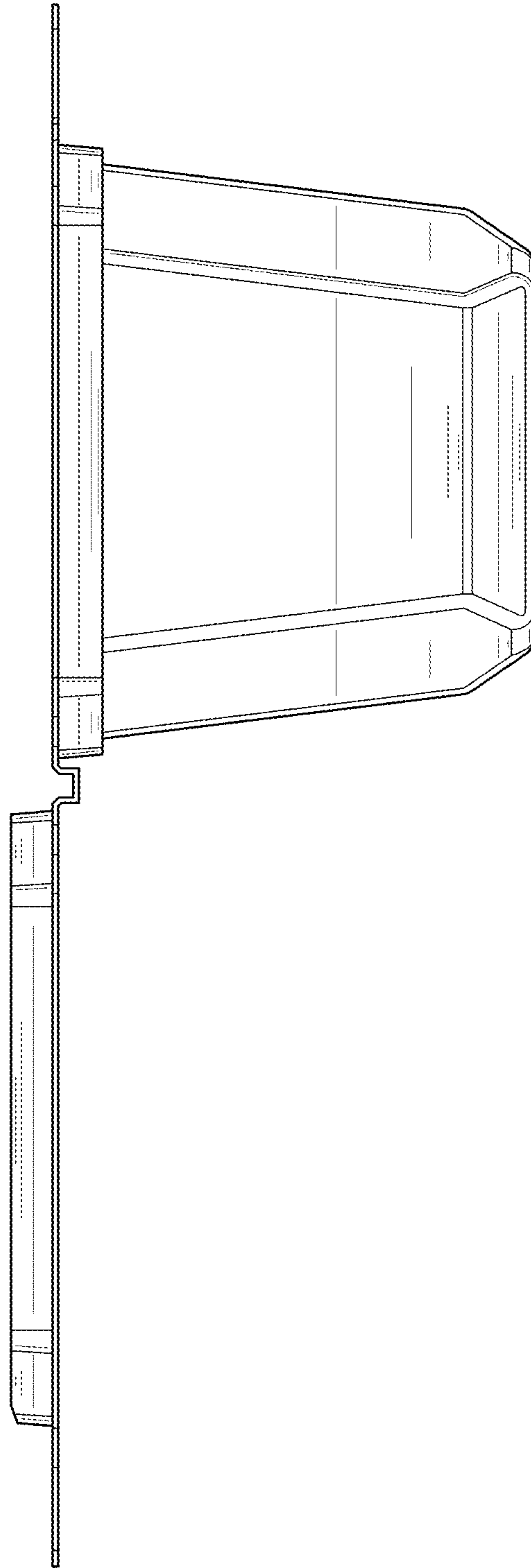


FIG. 32

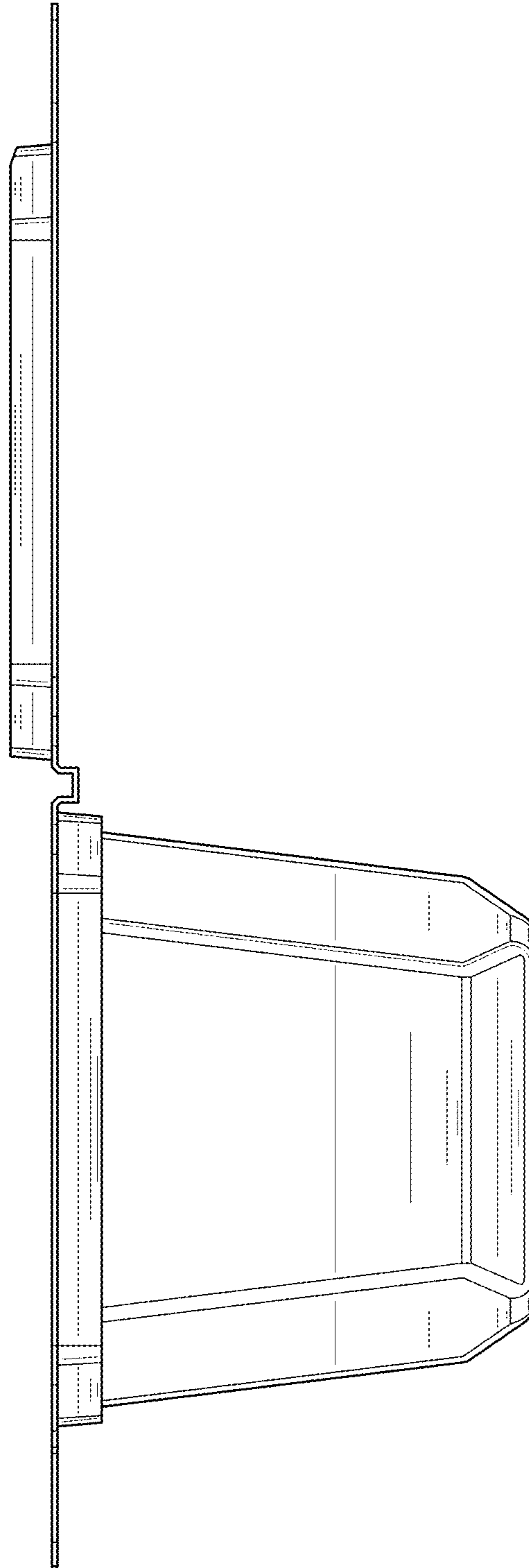


FIG. 33

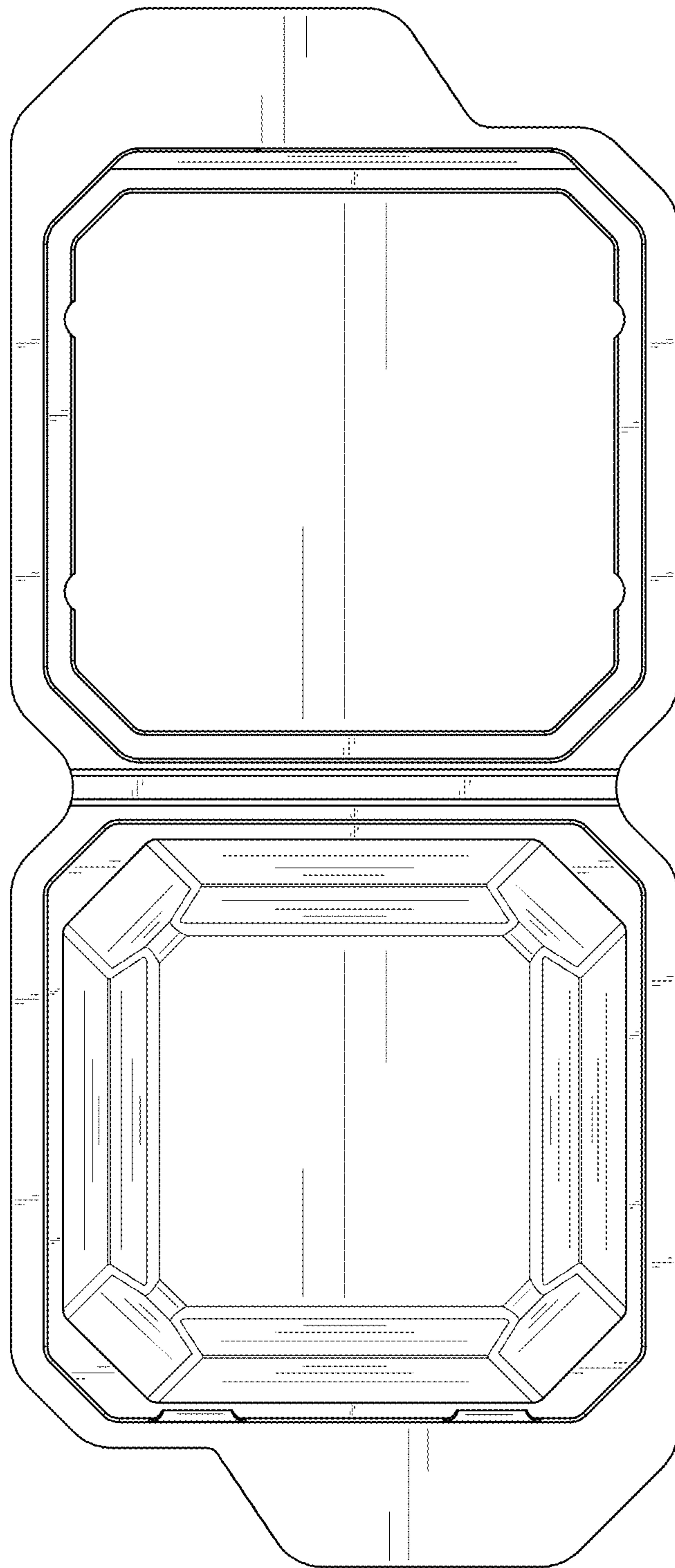


FIG. 34

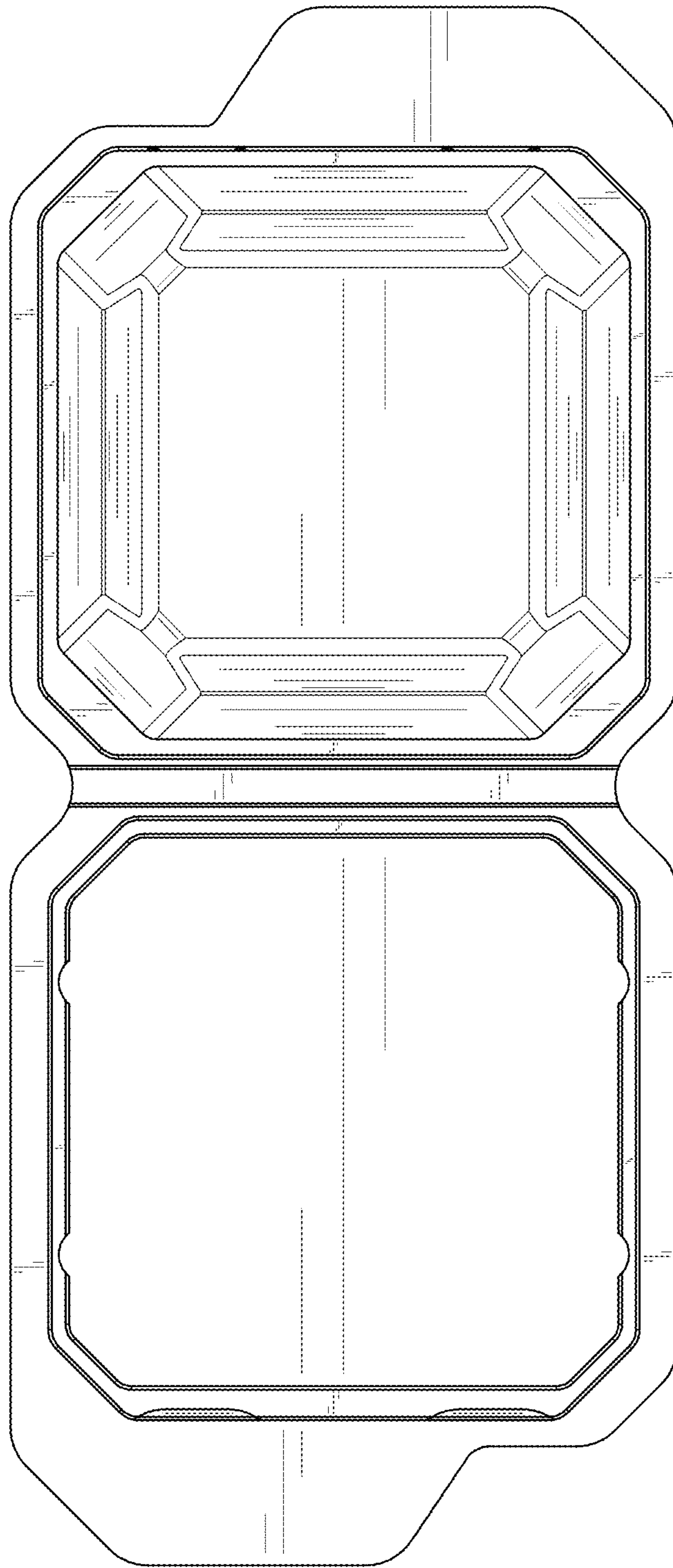


FIG. 35

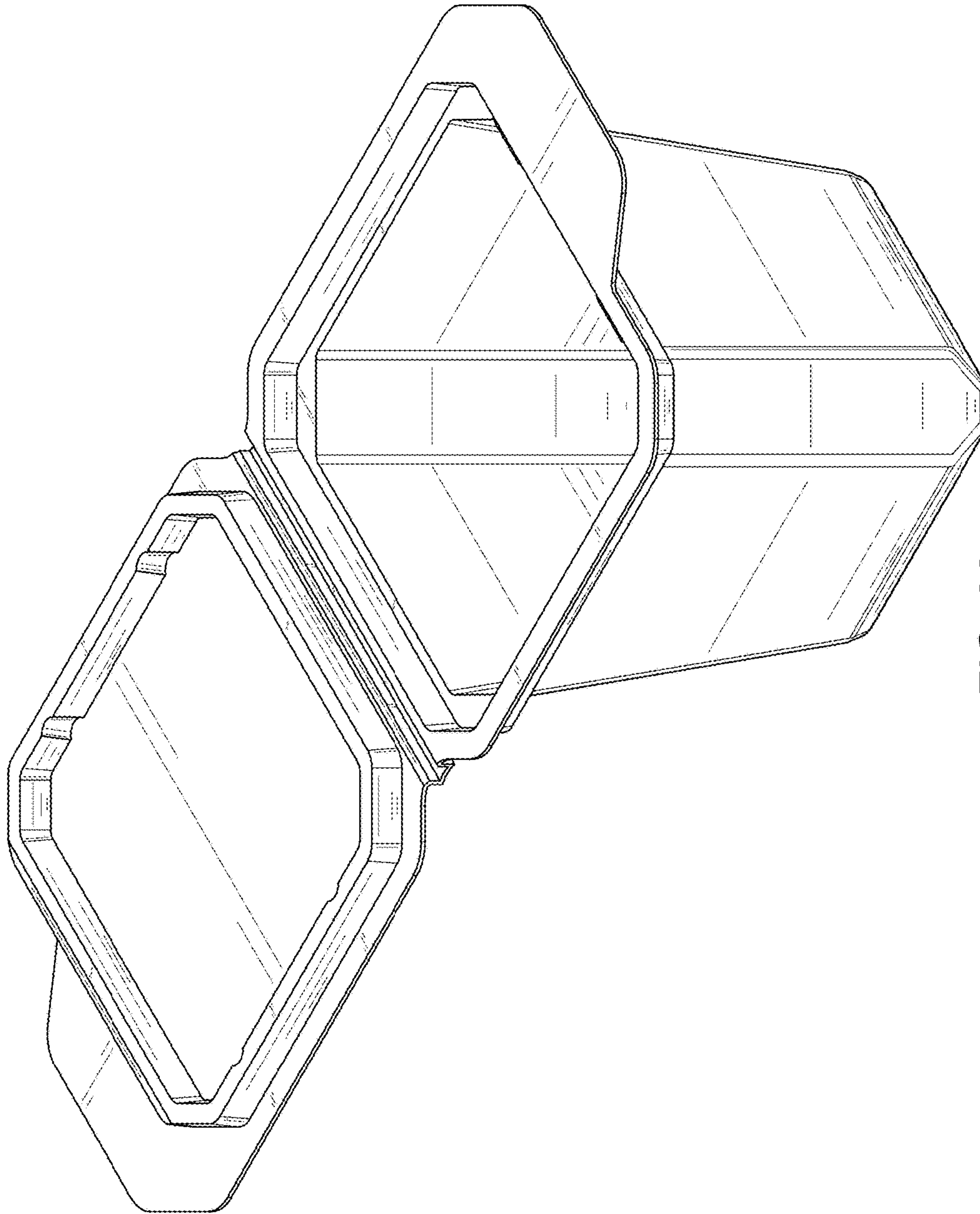


FIG. 36

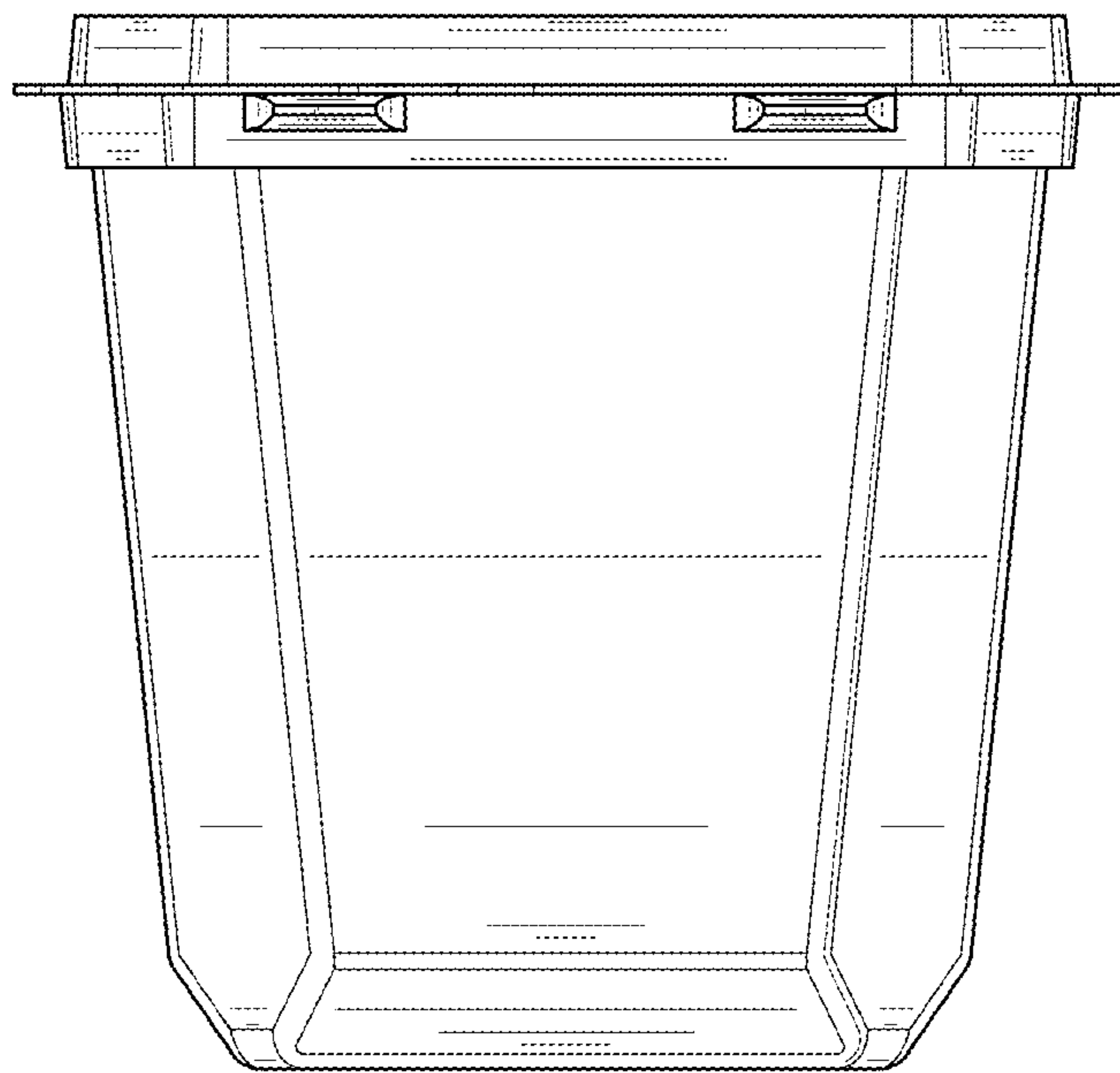


FIG. 37

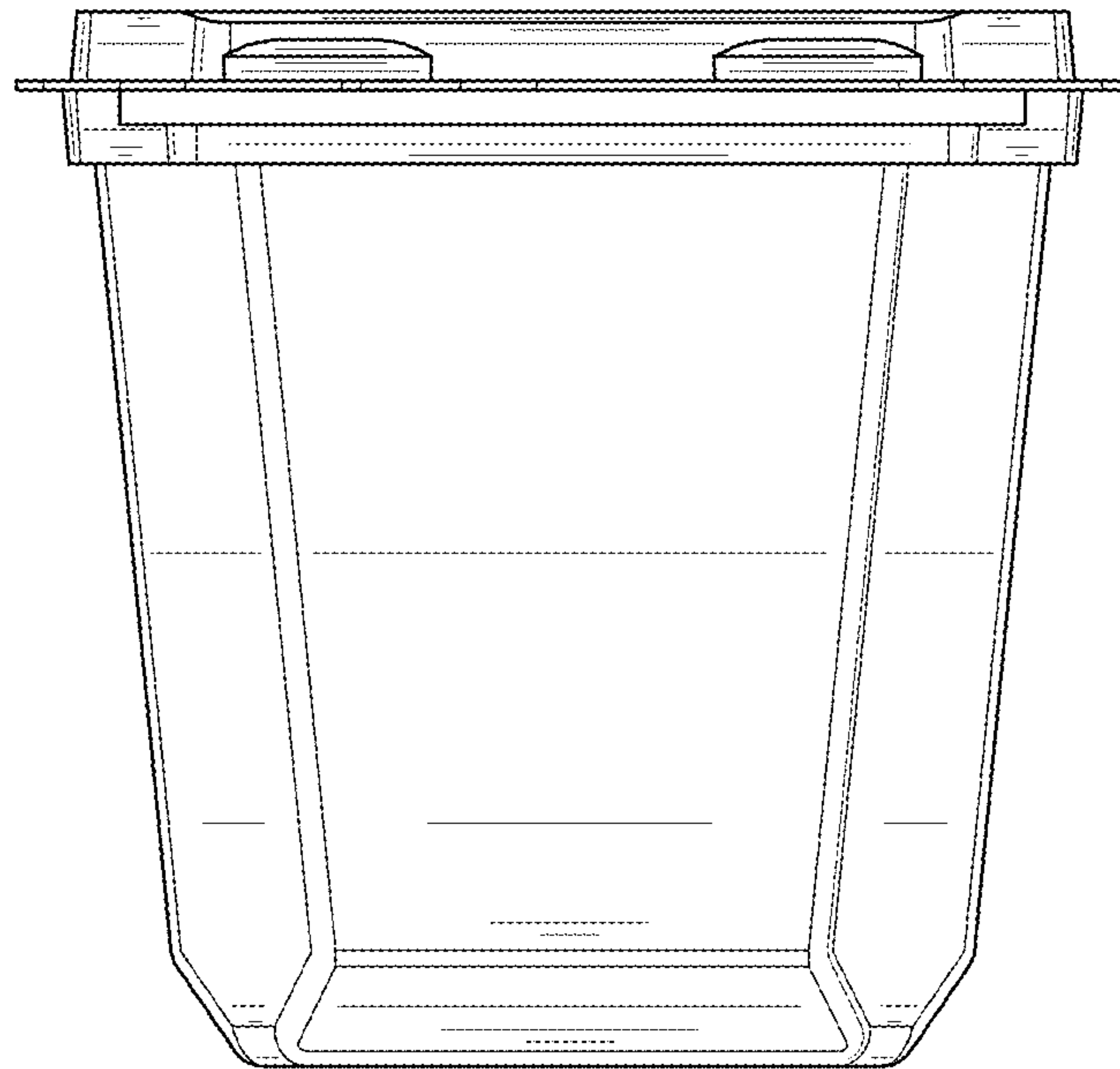


FIG. 38

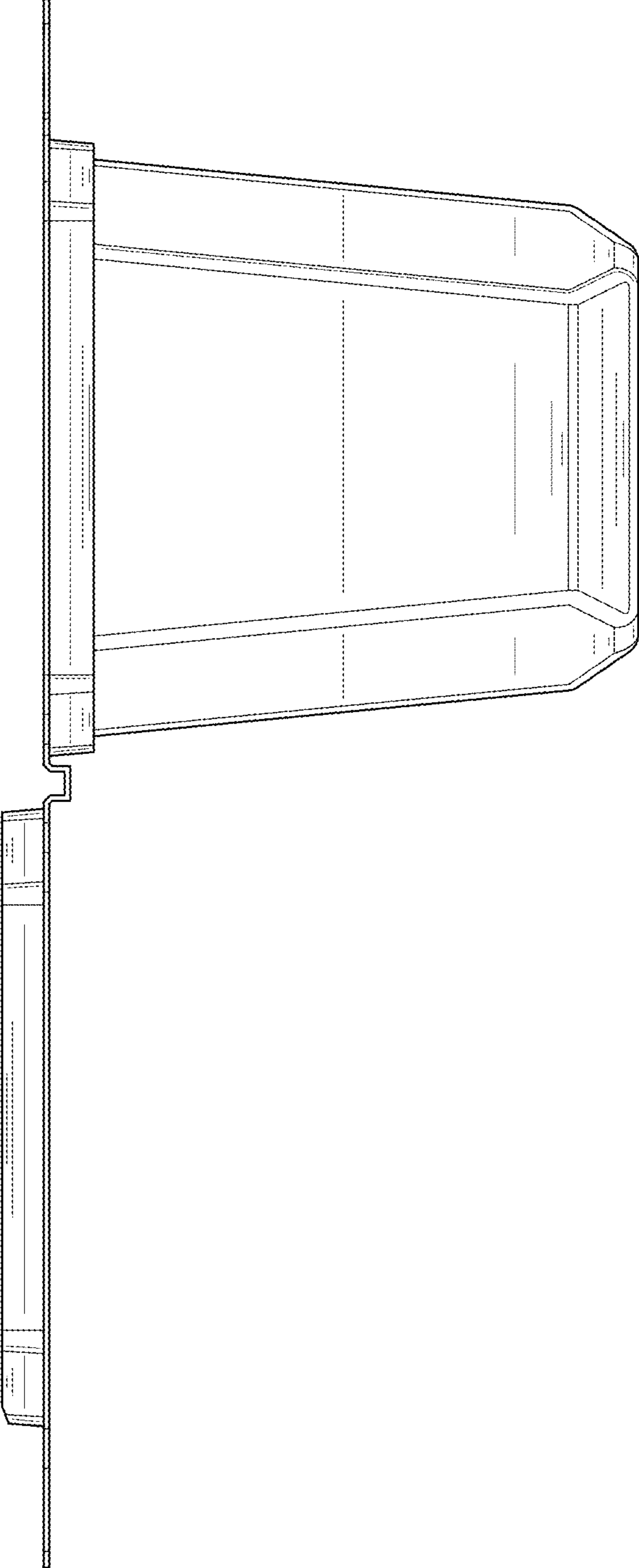


FIG. 39

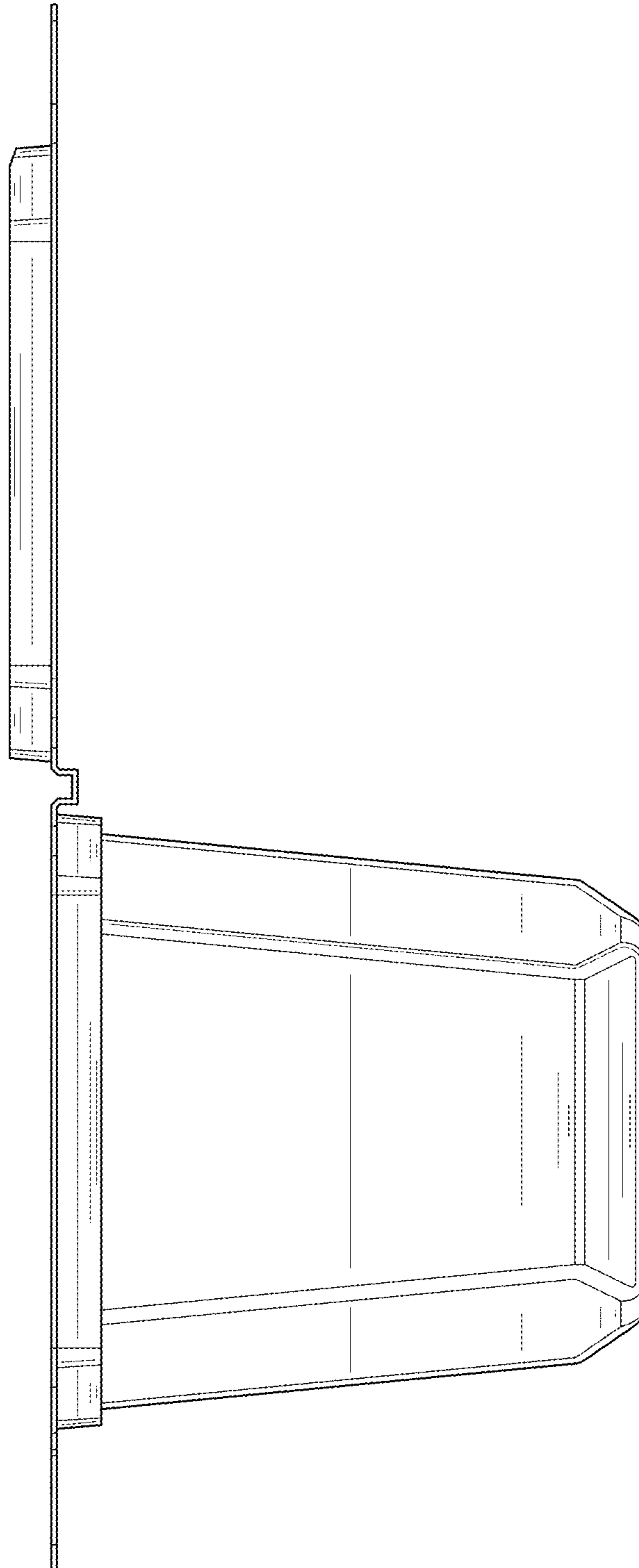


FIG. 40

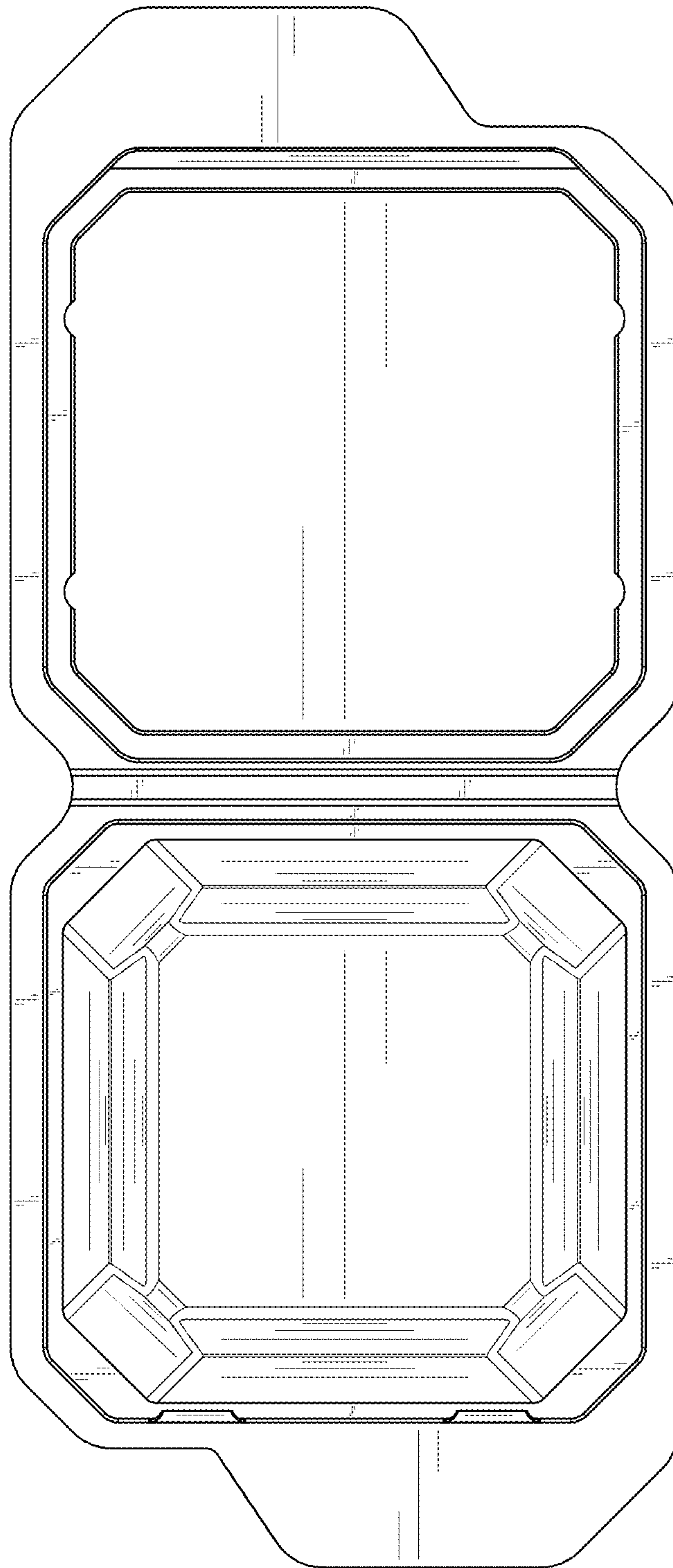


FIG. 41

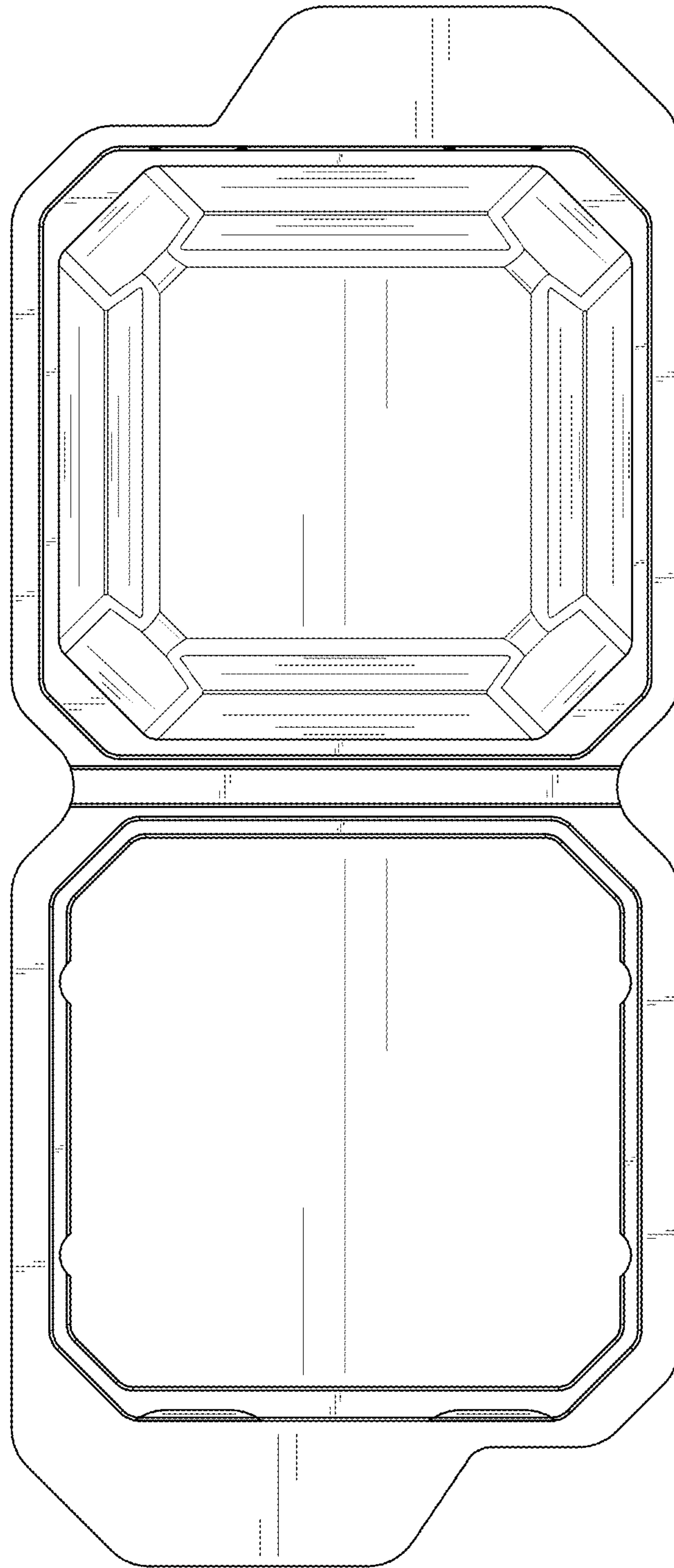


FIG. 42