



US00D774898S

(12) **United States Design Patent** (10) **Patent No.:** **US D774,898 S**  
**Mayer et al.** (45) **Date of Patent:** **\*\* Dec. 27, 2016**

- (54) **CLOSEABLE CONTAINER**
- (71) Applicant: **Inno-Pak, LLC**, Delaware, OH (US)
- (72) Inventors: **Steven A. Mayer**, Indianapolis, IN (US); **Jonathan D. Sill**, Powell, OH (US)
- (73) Assignee: **INNO-PAK, LLC**, Delaware, OH (US)
- (\*\*) Term: **15 Years**
- (21) Appl. No.: **29/545,309**
- (22) Filed: **Nov. 11, 2015**

- D626,831 S 11/2010 Nicholas
- D636,662 S \* 4/2011 Ignacio ..... D9/418
- D649,067 S \* 11/2011 Birdwell ..... D9/418
- D675,092 S \* 1/2013 Sill ..... D9/431
- D678,779 S 3/2013 Lee
- D679,950 S 4/2013 Cooper
- D681,444 S 5/2013 Oja et al.
- D693,215 S 11/2013 Sill
- D693,216 S \* 11/2013 Sill ..... D9/418
- D693,217 S \* 11/2013 Sill ..... D9/418

(Continued)

**Related U.S. Application Data**

- (63) Continuation of application No. 29/516,707, filed on Feb. 5, 2015.
- (51) **LOC (10) Cl.** ..... **09-03**
- (52) **U.S. Cl.**  
USPC ..... **D9/418**
- (58) **Field of Classification Search**  
USPC ..... D9/414-419, 499, 431, 432, 422, 421;  
D19/91; D7/612; 206/589  
CPC ..... B65D 5/4204  
See application file for complete search history.

**References Cited**

**U.S. PATENT DOCUMENTS**

- D259,253 S 5/1981 Nelson
- D365,755 S 1/1996 Kanfer et al.
- D372,401 S \* 8/1996 Lillelund ..... D7/612
- D415,960 S \* 11/1999 Majdanski ..... D9/415
- D469,349 S 1/2003 Meeker et al.
- D469,692 S \* 2/2003 Meeker ..... D9/431
- D519,366 S \* 4/2006 Epstein ..... D9/431
- D536,245 S \* 2/2007 Bruun ..... D9/422
- D536,612 S \* 2/2007 Geurts ..... D9/432
- D578,883 S 10/2008 Kisch
- D602,353 S 10/2009 Anderson et al.

**OTHER PUBLICATIONS**

Notice of Allowance dated Apr. 18, 2016 from U.S. Appl. No. 29/527,085.  
Office Action dated Feb. 1, 2016 from U.S. Appl. No. 29/516,707.

*Primary Examiner* — Rhea Shields

(74) *Attorney, Agent, or Firm* — Ward and Smith, P.A.;  
Ryan K. Simmons

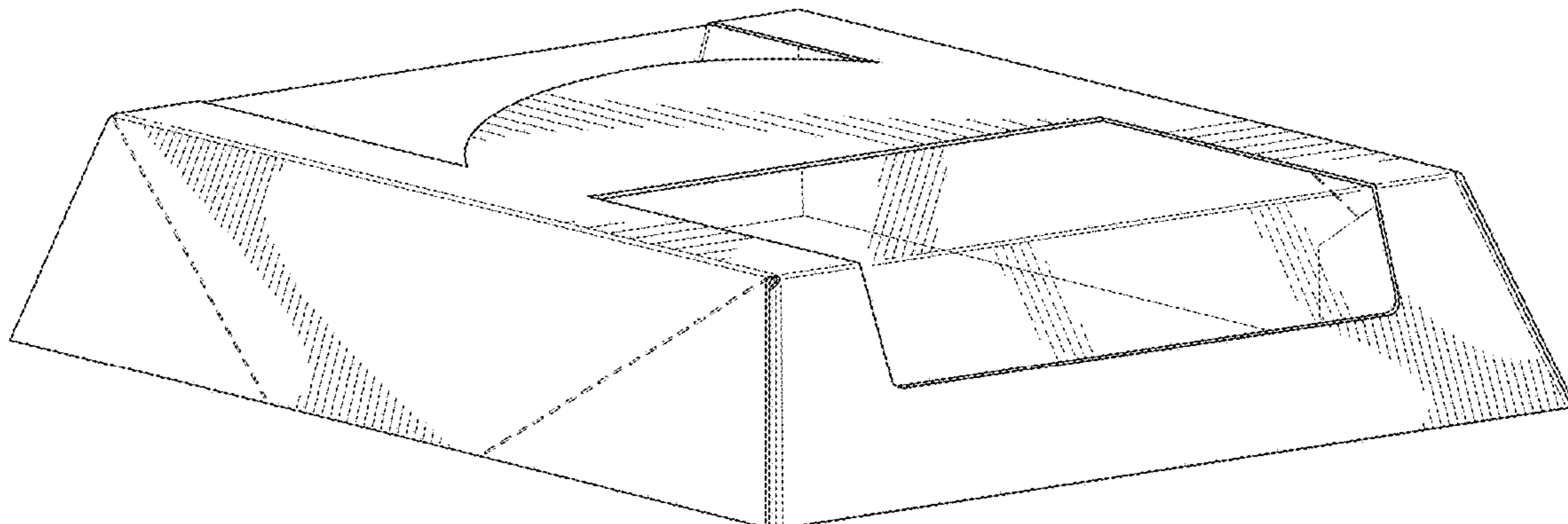
(57) **CLAIM**

The ornamental design for a closeable container, as shown and described.

**DESCRIPTION**

FIG. 1 is a perspective view of a closeable container showing a new design;  
FIG. 2 is a right side elevation view thereof, the left side being a mirror image;  
FIG. 3 is a front elevation view thereof, the rear being a mirror image;  
FIG. 4 is a top plan view thereof;  
FIG. 5 is a bottom plan view thereof; and,  
FIG. 6 is another perspective view thereof, showing the closeable container in an alternate open configuration.  
In the drawings, the broken lines indicate perforations in the side of the container and form a part of the claimed design.

**1 Claim, 5 Drawing Sheets**



(56)

**References Cited**

U.S. PATENT DOCUMENTS

D693,218	S	11/2013	Sill	
D695,104	S *	12/2013	Sill .....	D9/418
D696,725	S *	12/2013	Sasken-Duff .....	D19/91
8,607,987	B2	12/2013	Oja et al.	
D706,132	S *	6/2014	Sill .....	D9/432
D712,275	S *	9/2014	Irek .....	D9/418
D713,716	S	9/2014	Oja et al.	
D716,649	S *	11/2014	McAdam .....	D9/418
D719,440	S	12/2014	Matloff	
D727,732	S *	4/2015	Petty .....	D9/415
D729,055	S	5/2015	Lemnios et al.	
D739,228	S *	9/2015	Jondal .....	D9/421
D746,700	S	1/2016	Boehnen et al.	
2009/0236351	A1	9/2009	Chu et al.	
2015/0344216	A1 *	12/2015	Petty .....	B65D 5/4204 206/589

\* cited by examiner

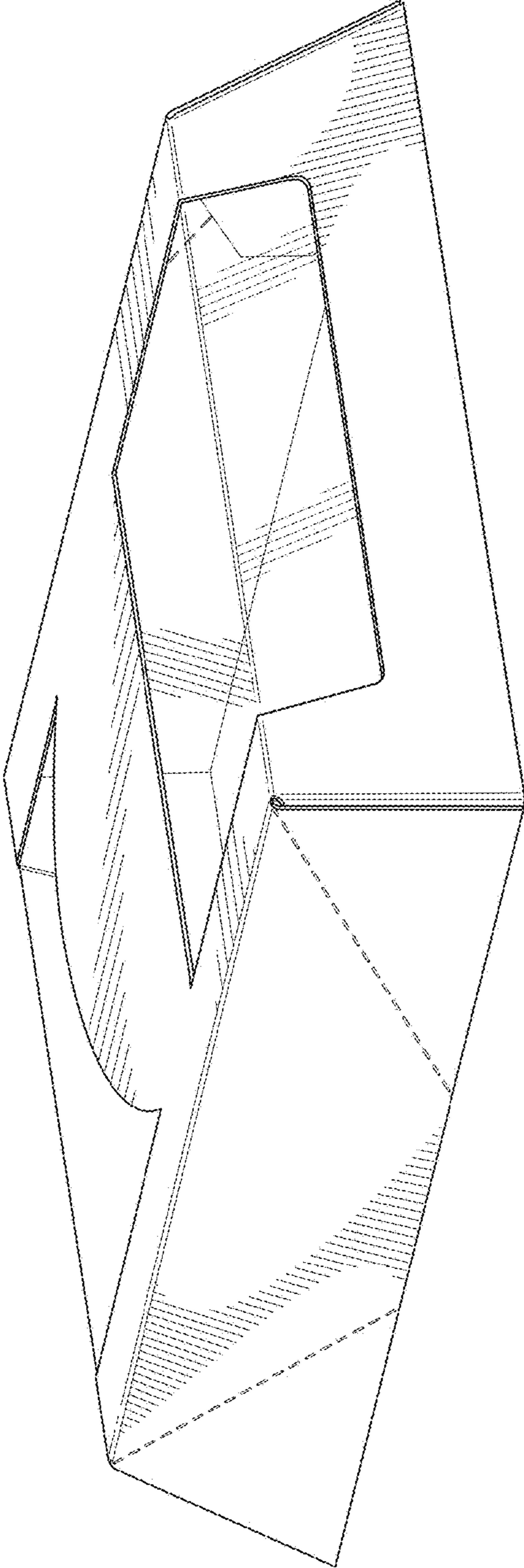


FIG. 1

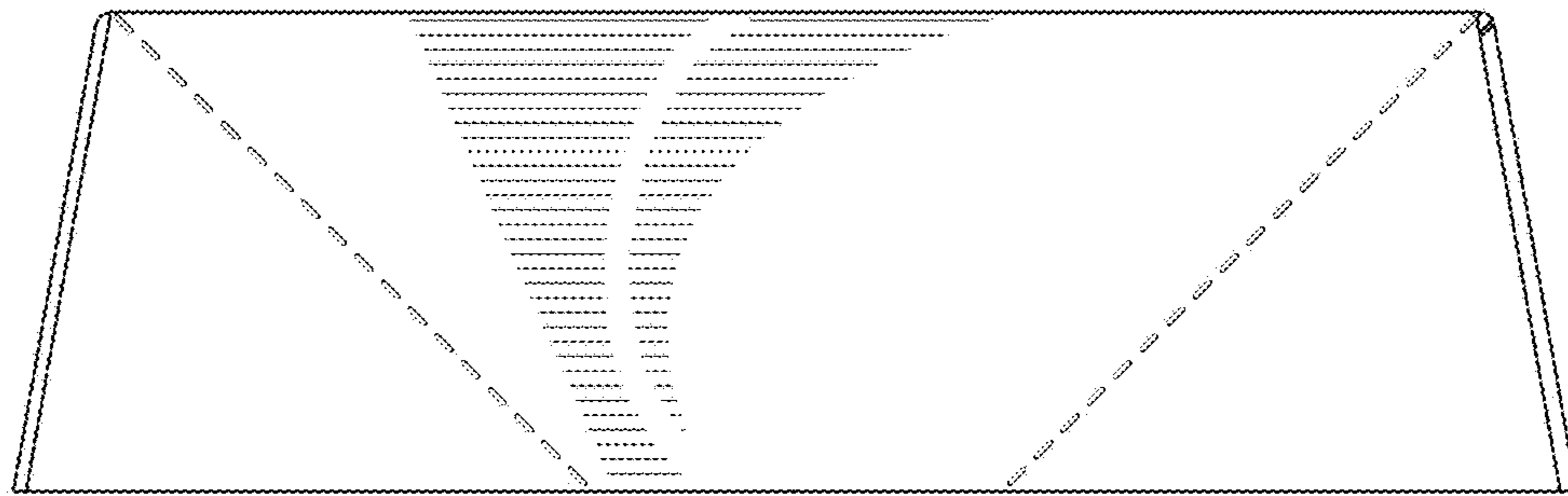


FIG. 2

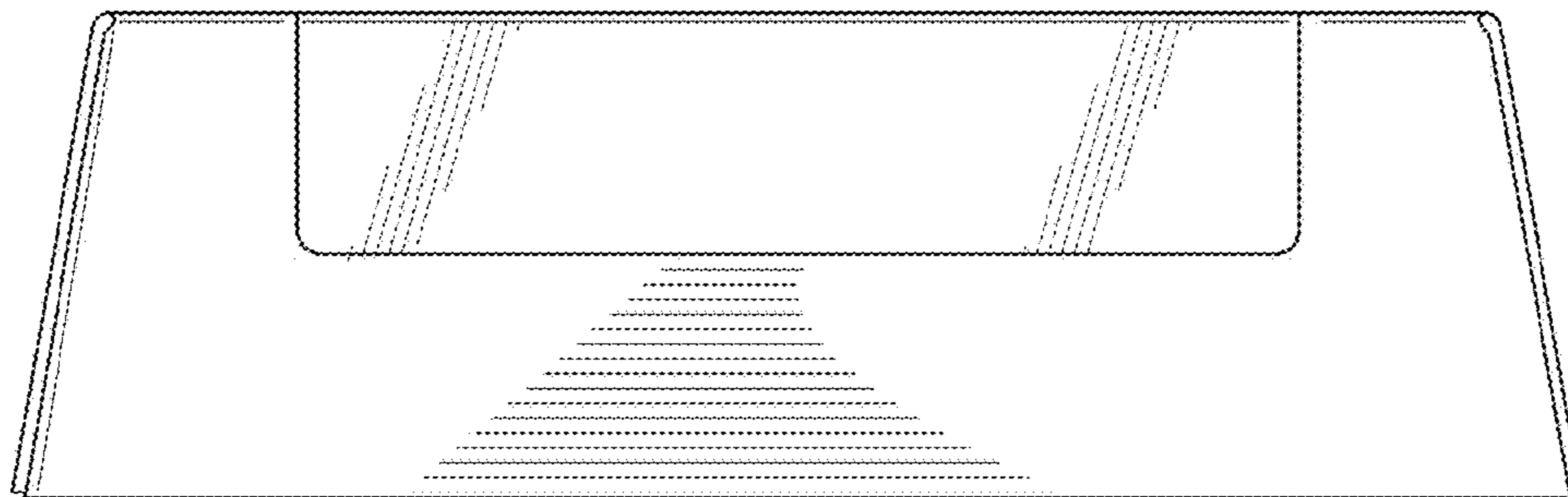


FIG. 3

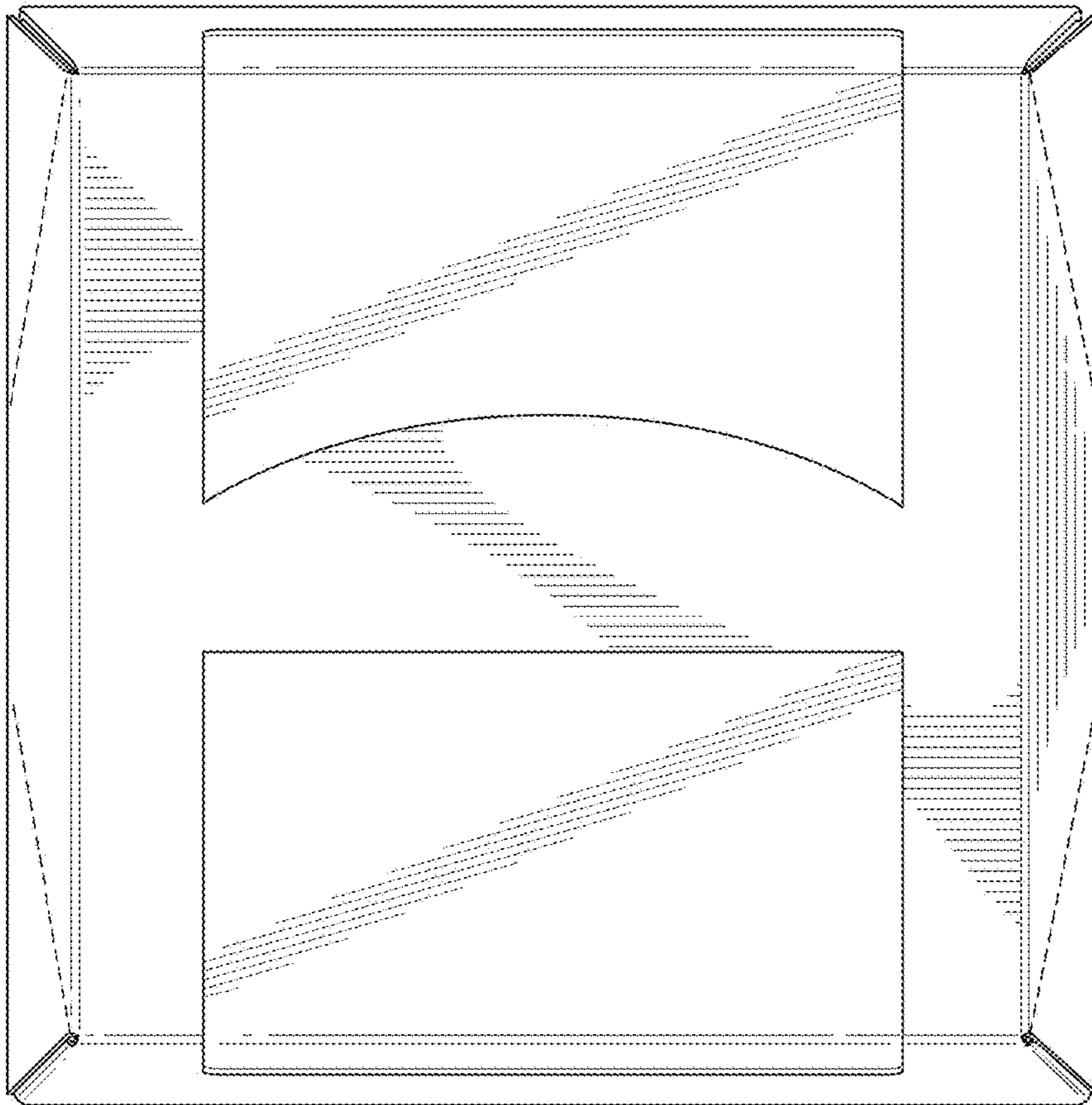


FIG. 4

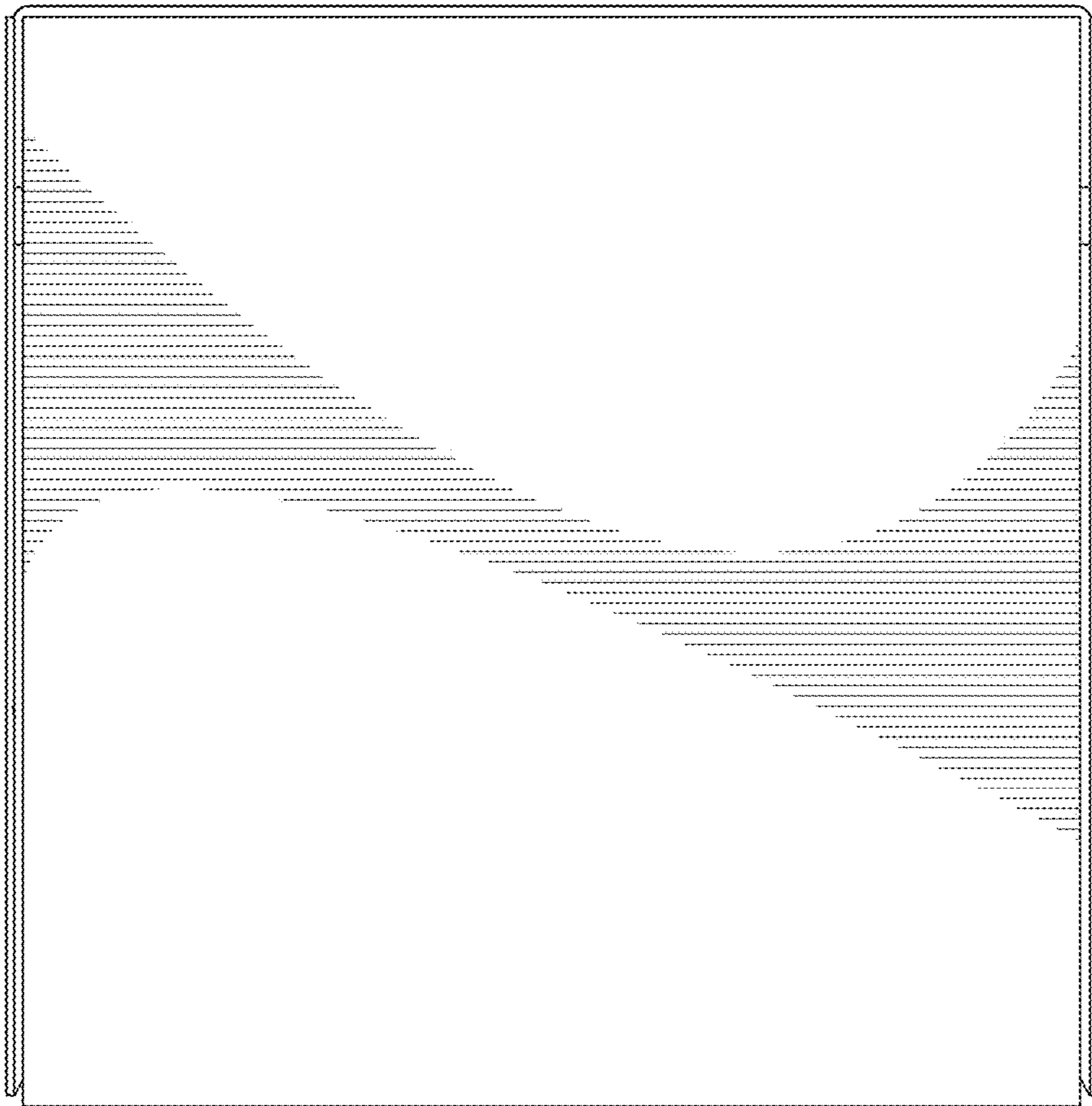


FIG. 5

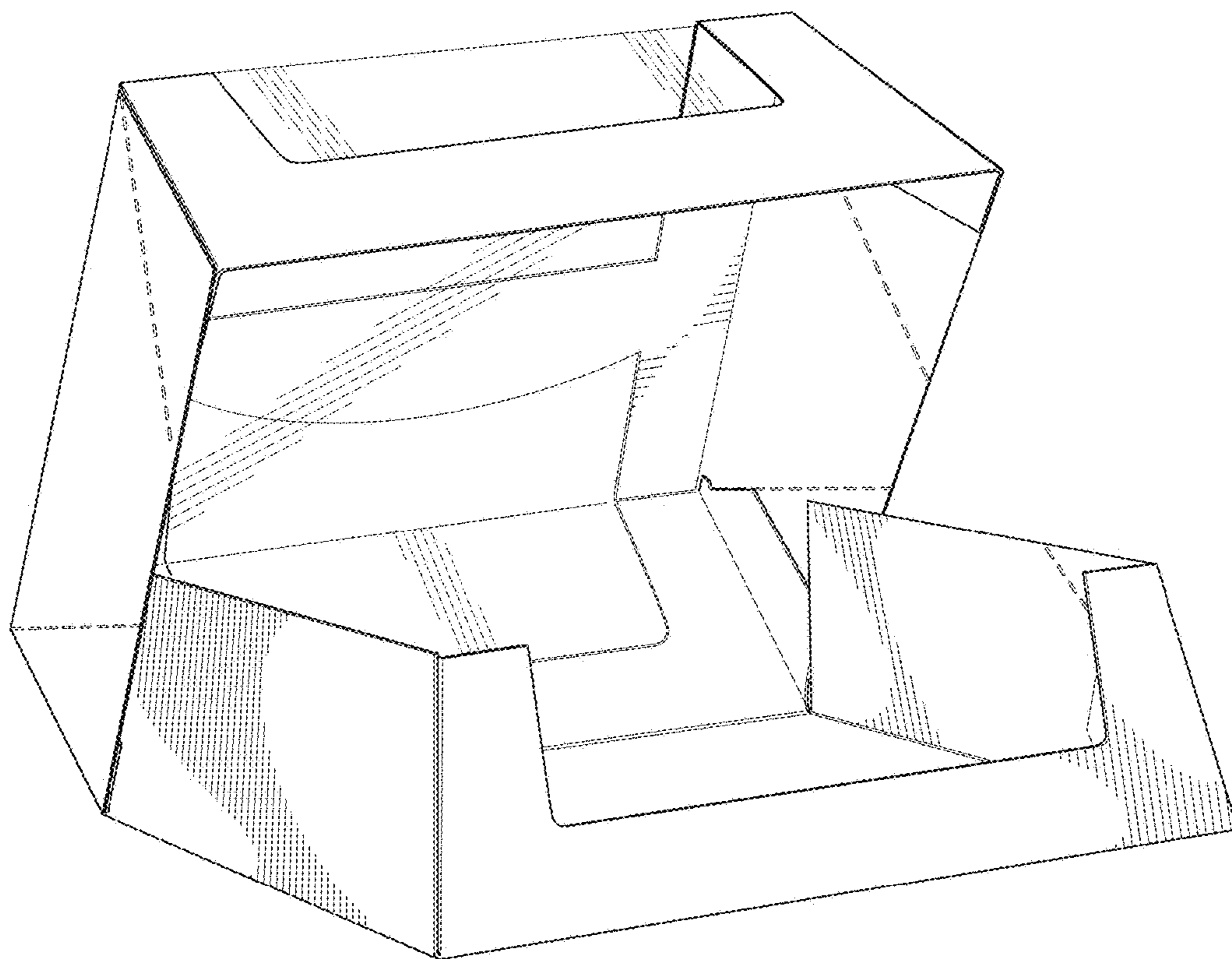


FIG. 6