



US00D774897S

(12) **United States Design Patent** (10) **Patent No.:** **US D774,897 S**  
**Mayer et al.** (45) **Date of Patent:** **\*\* Dec. 27, 2016**

(54) **CLOSEABLE CONTAINER**  
(71) Applicant: **Inno-Pak, LLC**, Delaware, OH (US)  
(72) Inventors: **Steven A. Mayer**, Indianapolis, IN (US); **Jonathan D. Sill**, Powell, OH (US)  
(73) Assignee: **Inno-Pak, LLC**, Delaware, OH (US)  
(\*\*) Term: **15 Years**

D636,662 S \* 4/2011 Ignacio ..... D9/418  
D649,067 S \* 11/2011 Birdwell ..... D9/418  
D675,092 S \* 1/2013 Sill ..... D9/431  
D678,779 S 3/2013 Lee  
D679,950 S 4/2013 Cooper  
D681,444 S 5/2013 Oja et al.  
D693,215 S 11/2013 Sill  
D693,216 S \* 11/2013 Sill ..... D9/418  
D693,217 S \* 11/2013 Sill ..... D9/418

(Continued)

(21) Appl. No.: **29/545,308**  
(22) Filed: **Nov. 11, 2015**

**OTHER PUBLICATIONS**

Notice of Allowance dated Apr. 18, 2016 from U.S. Appl. No. 29/527,085.

(Continued)

**Related U.S. Application Data**

(63) Continuation of application No. 29/527,085, filed on May 15, 2015.  
(51) **LOC (10) Cl.** ..... **09-03**  
(52) **U.S. Cl.**  
USPC ..... **D9/418**  
(58) **Field of Classification Search**  
USPC ..... D9/414-419, 499, 431, 432, 422, 421;  
D19/91; D7/612; 206/589  
CPC ..... B65D 5/4204  
See application file for complete search history.

*Primary Examiner* — Rhea Shields

(74) *Attorney, Agent, or Firm* — Ward and Smith, P.A.;  
Ryan K. Simmons

(57) **CLAIM**

The ornamental design for a closeable container, as shown and described.

**DESCRIPTION**

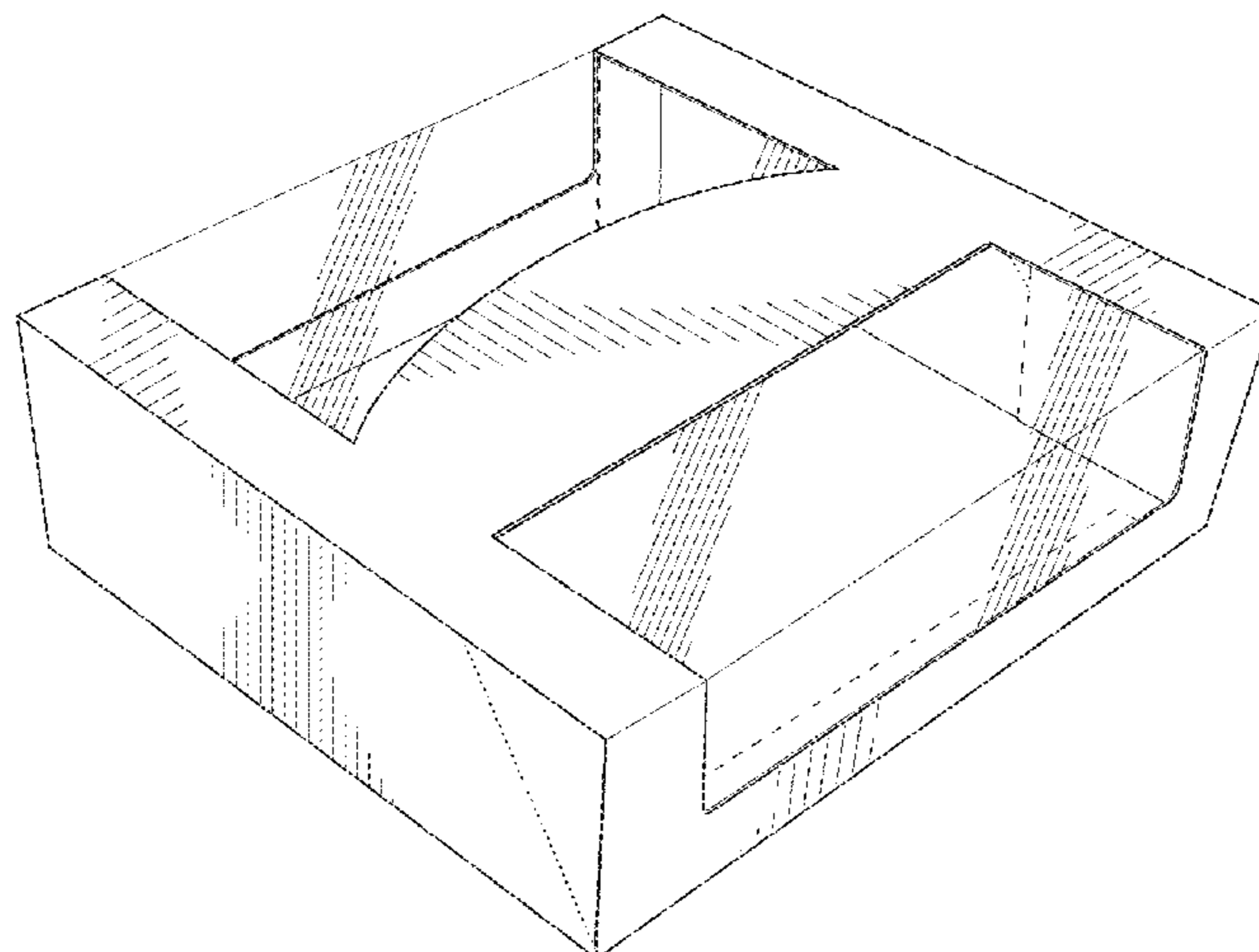
FIG. 1 is a perspective view of a closeable container showing a new design;  
FIG. 2 is a right side elevation view thereof, the left side being a mirror image;  
FIG. 3 is a front elevation view thereof, the rear being a mirror image;  
FIG. 4 is a top plan view thereof;  
FIG. 5 is a bottom plan view thereof; and,  
FIG. 6 is another perspective view thereof, showing the closeable container in an alternate open configuration.  
In FIGS. 1, 2 and 6 the dotted lines are for the purpose of illustrating perforations. In FIGS. 1, 4 and 6, the broken lines are for the purpose of illustrating environment only and form no part of the claimed design.

(56) **References Cited**

**U.S. PATENT DOCUMENTS**

D259,253 S 5/1981 Nelson  
D365,755 S 1/1996 Kanfer et al.  
D372,401 S \* 8/1996 Lillelund ..... D7/612  
D415,960 S \* 11/1999 Majdanski ..... D9/415  
D469,349 S 1/2003 Meeker et al.  
D469,692 S \* 2/2003 Meeker ..... D9/431  
D519,366 S \* 4/2006 Epstein ..... D9/431  
D536,245 S \* 2/2007 Bruun ..... D9/422  
D536,612 S \* 2/2007 Geurts ..... D9/432  
D578,883 S 10/2008 Kisch  
D602,353 S 10/2009 Anderson et al.  
D626,831 S 11/2010 Nicholas

**1 Claim, 6 Drawing Sheets**



(56)

**References Cited**

U.S. PATENT DOCUMENTS

D693,218 S 11/2013 Sill  
D695,104 S \* 12/2013 Sill ..... D9/418  
D696,725 S \* 12/2013 Sasken-Duff ..... D19/91  
8,607,987 B2 12/2013 Oja et al.  
D706,132 S \* 6/2014 Sill ..... D9/432  
D712,275 S \* 9/2014 Irek ..... D9/418  
D713,716 S 9/2014 Oja et al.  
D716,649 S \* 11/2014 McAdam ..... D9/418  
D719,440 S 12/2014 Matloff

D727,732 S \* 4/2015 Petty ..... D9/415  
D729,055 S 5/2015 Lemnios et al.  
D739,228 S \* 9/2015 Jondal ..... D9/421  
D746,700 S 1/2016 Boehnen et al.  
2009/0236351 A1 9/2009 Chu et al.  
2015/0344216 A1\* 12/2015 Petty ..... B65D 5/4204  
206/589

OTHER PUBLICATIONS

Office Action dated Feb. 1, 2016 from U.S. Appl. No. 29/516,707.

\* cited by examiner

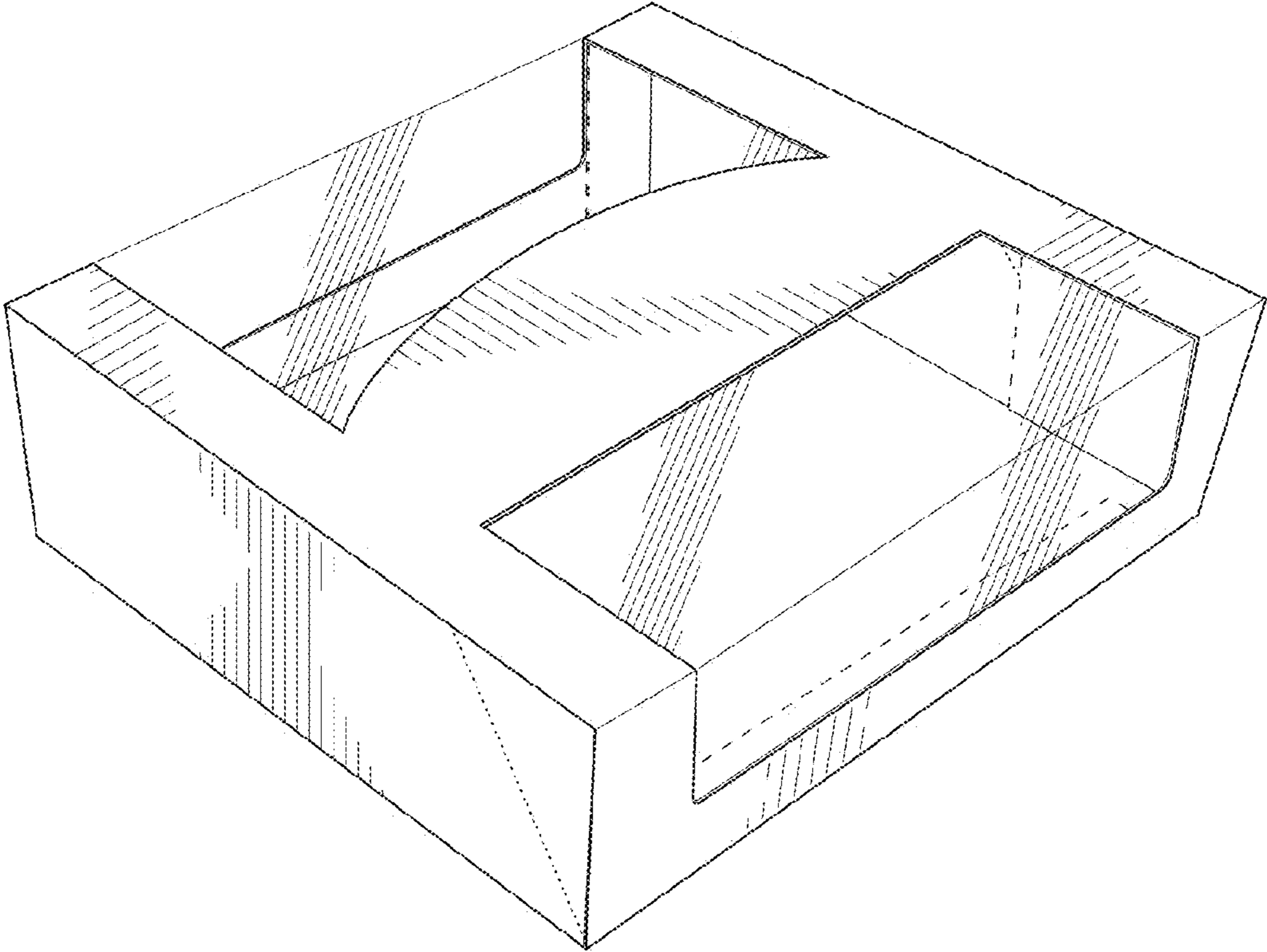
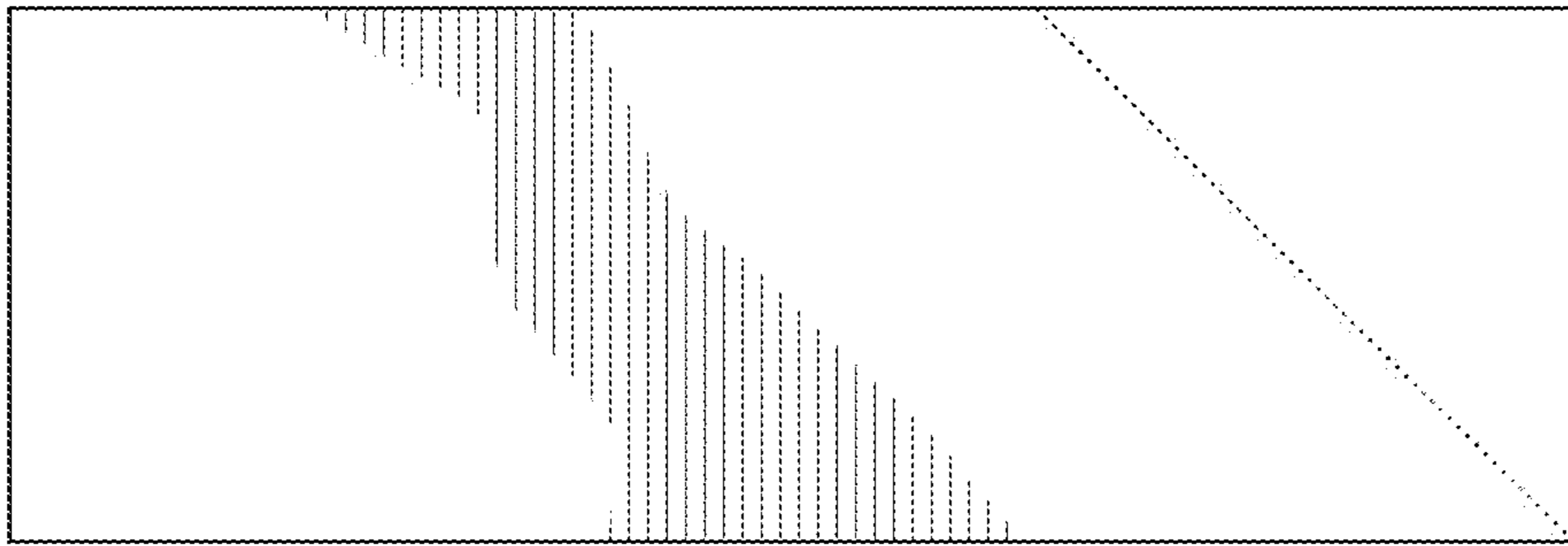
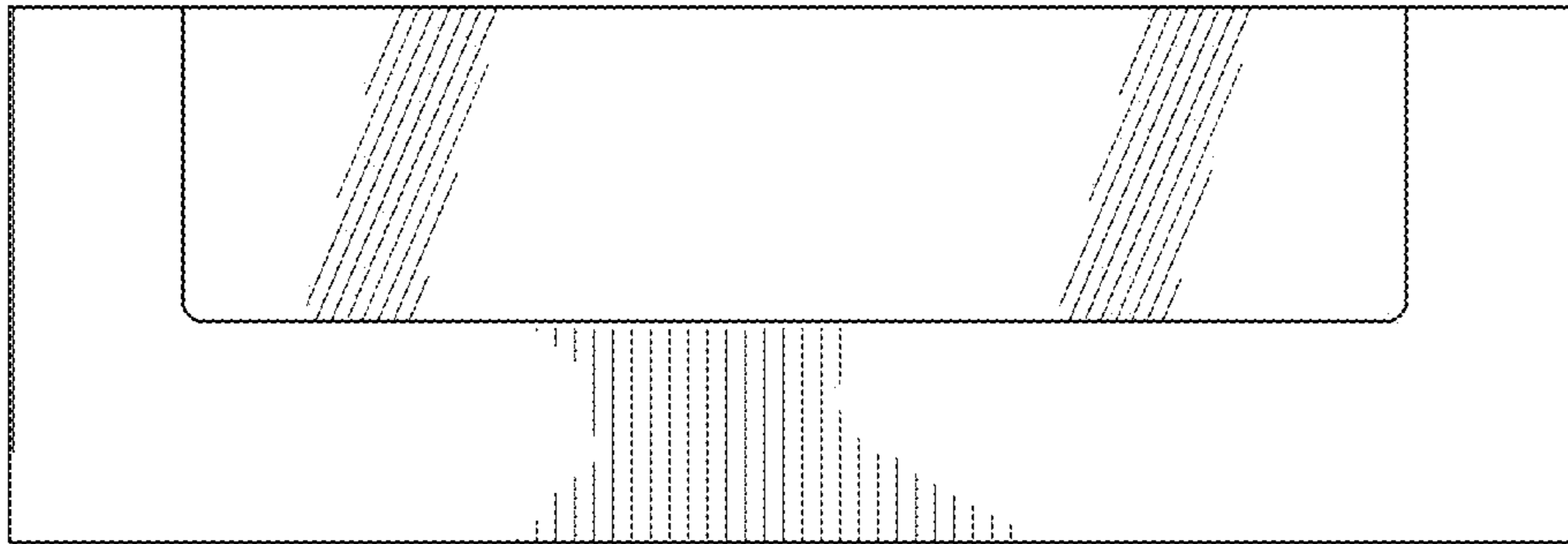


FIG. 1



*FIG. 2*



**FIG. 3**

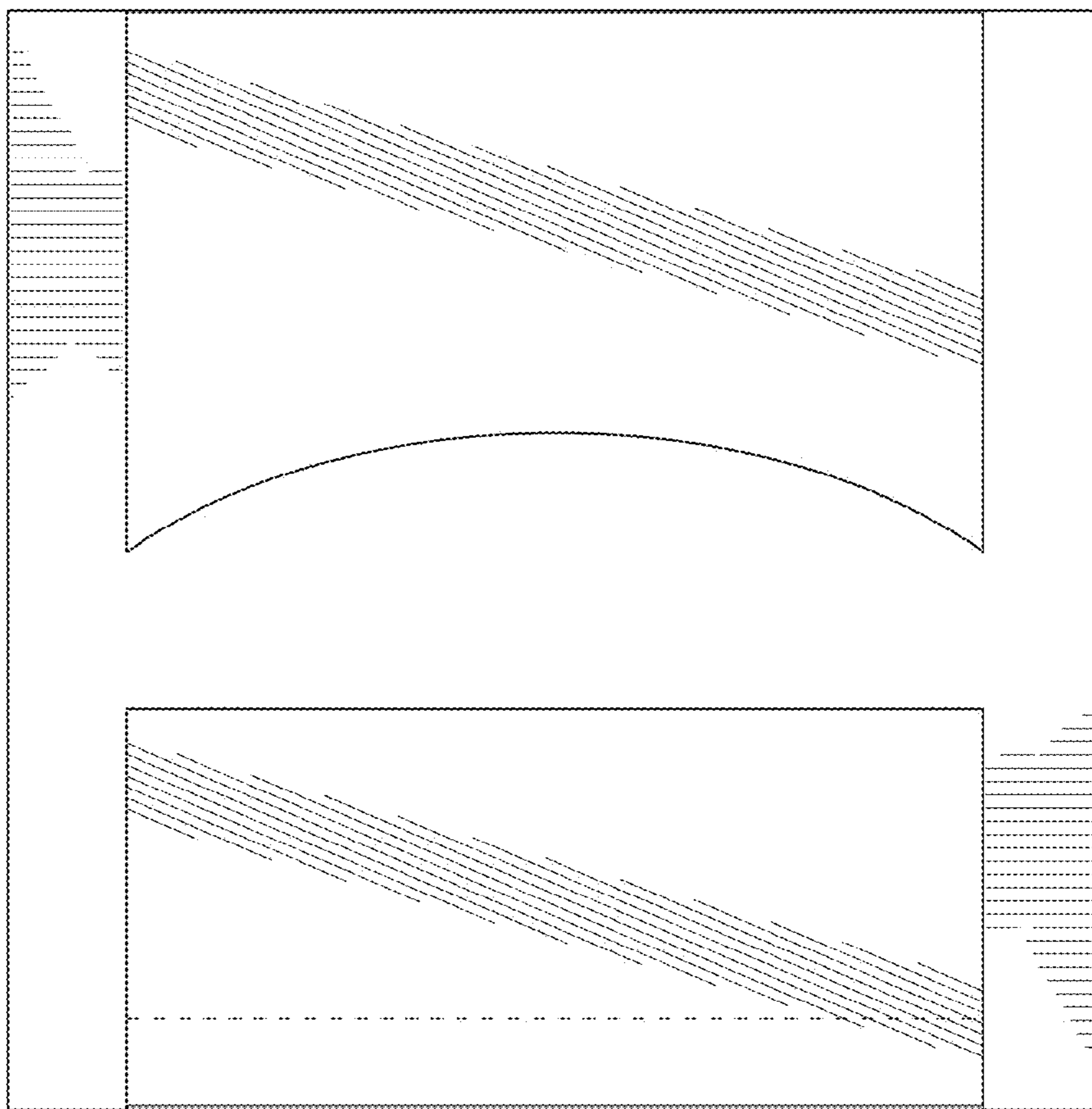
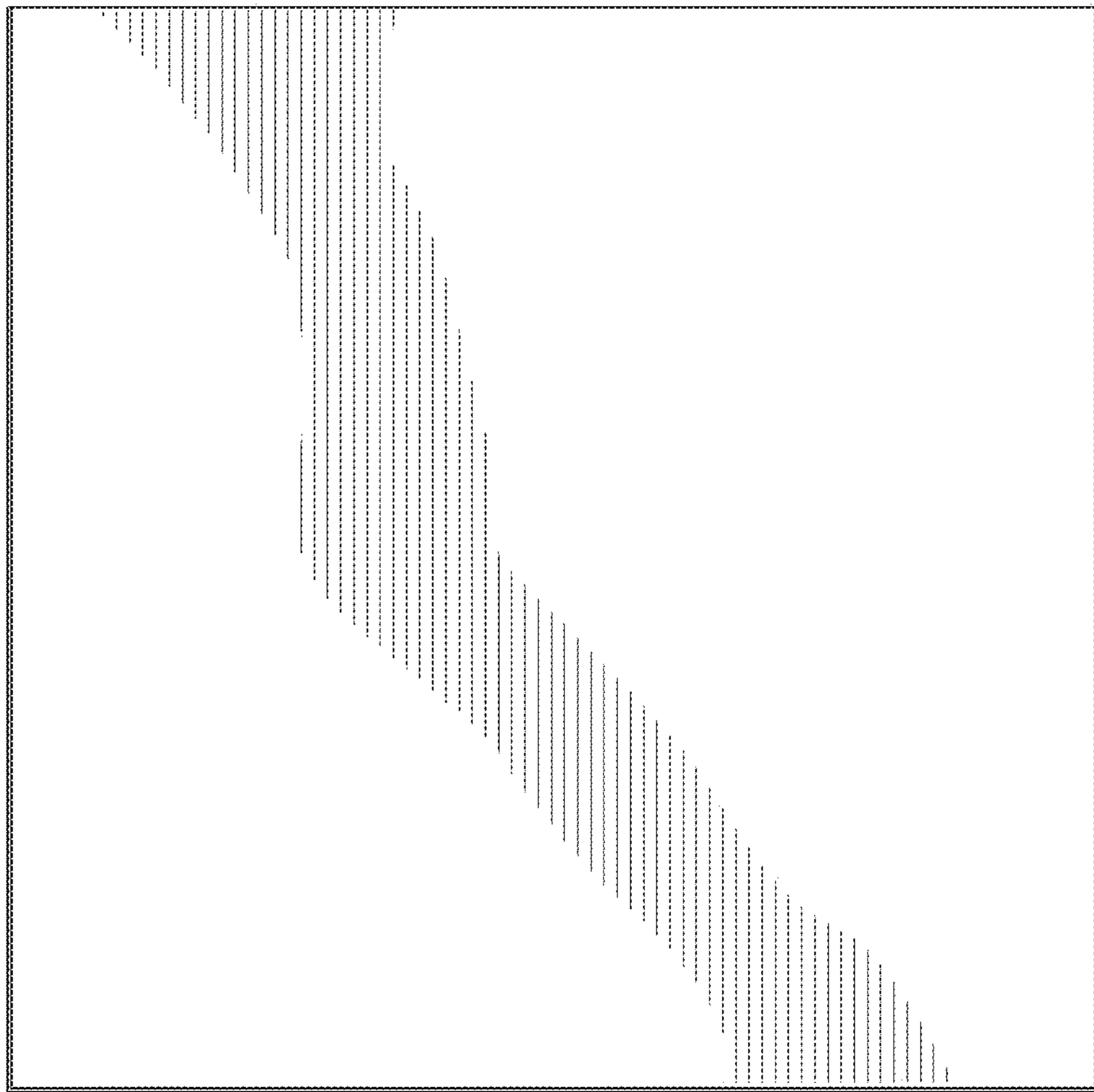


FIG. 4



*FIG. 5*

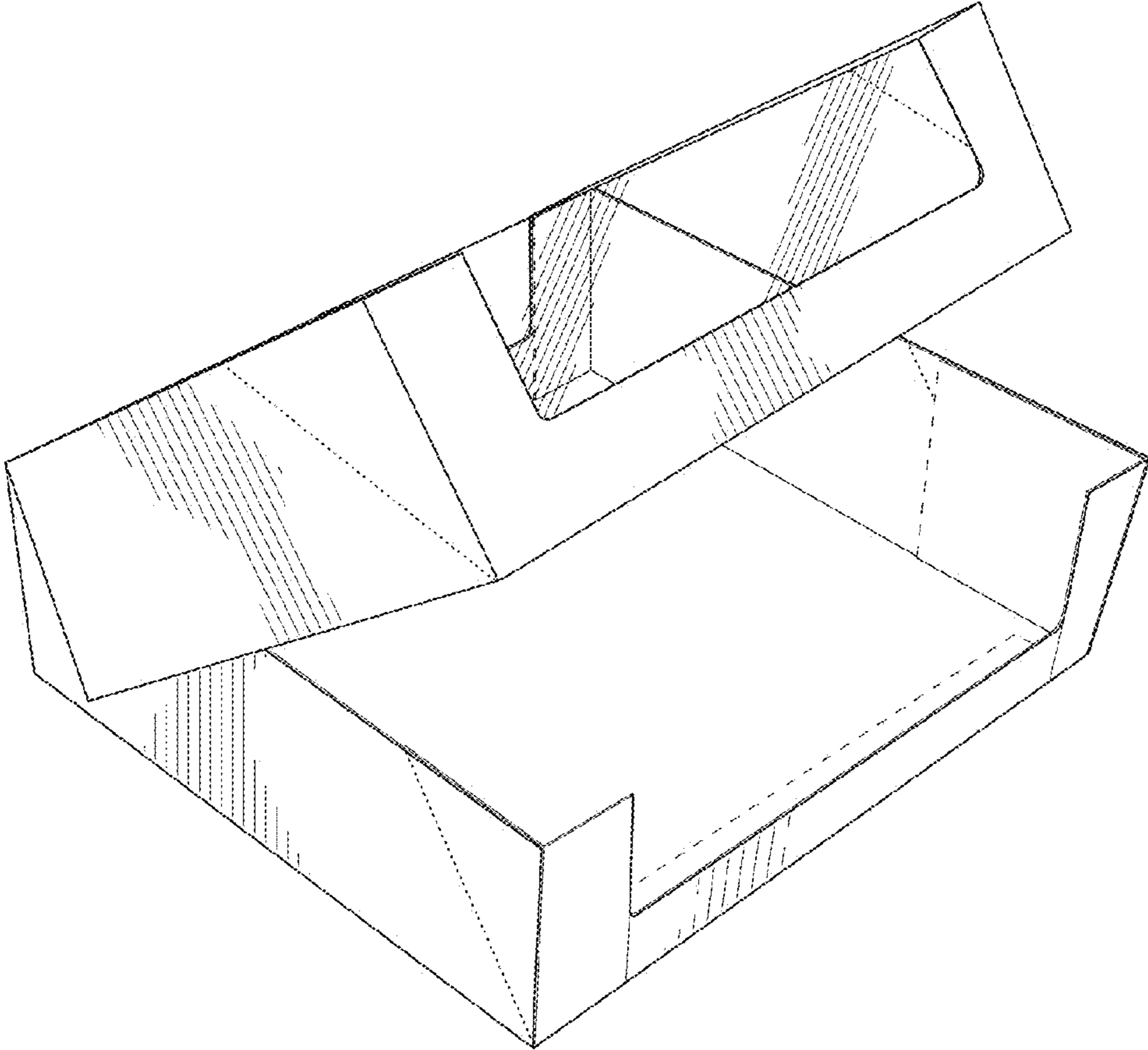


FIG. 6