



US00D774891S

(12) **United States Design Patent** (10) **Patent No.:** **US D774,891 S**
Mayer et al. (45) **Date of Patent:** **** Dec. 27, 2016**

(54) **CLOSEABLE CONTAINER**
(71) Applicant: **Inno-Pak, LLC**, Delaware, OH (US)
(72) Inventors: **Steven A. Mayer**, Indianapolis, IN (US); **Jonathan D. Sill**, Powell, OH (US)
(73) Assignee: **Inno-Pak, LLC**, Delaware, OH (US)
(**) Term: **14 Years**

D679,950 S * 4/2013 Cooper D7/538
D681,444 S * 5/2013 Oja D9/418
D693,215 S * 11/2013 Sill D9/418
D693,216 S * 11/2013 Sill D9/418
D693,217 S 11/2013 Sill
D693,218 S * 11/2013 Sill D9/418
D695,104 S * 12/2013 Sill D9/418
D696,725 S 12/2013 Sasken-Duff et al.
8,607,987 B2 * 12/2013 Oja B65D 5/4204
206/776
D706,132 S * 6/2014 Sill D9/432
(Continued)

(21) Appl. No.: **29/516,707**
(22) Filed: **Feb. 5, 2015**
(51) **LOC (10) Cl.** **09-03**
(52) **U.S. Cl.**
USPC **D9/418**
(58) **Field of Classification Search**
USPC D9/418, 423, 431, 432, 499; 220/751;
D7/538; 206/776
CPC B65D 25/22; B65D 5/4204
See application file for complete search history.

OTHER PUBLICATIONS

Notice of Allowance dated Apr. 18, 2016 from U.S. Appl. No. 29/527,085.

Primary Examiner — Rhea Shields
(74) *Attorney, Agent, or Firm* — Ward and Smith, P.A.;
Ryan K. Simmons

(57) **CLAIM**

The ornamental design for a closeable container, as shown and described.

(56) **References Cited**

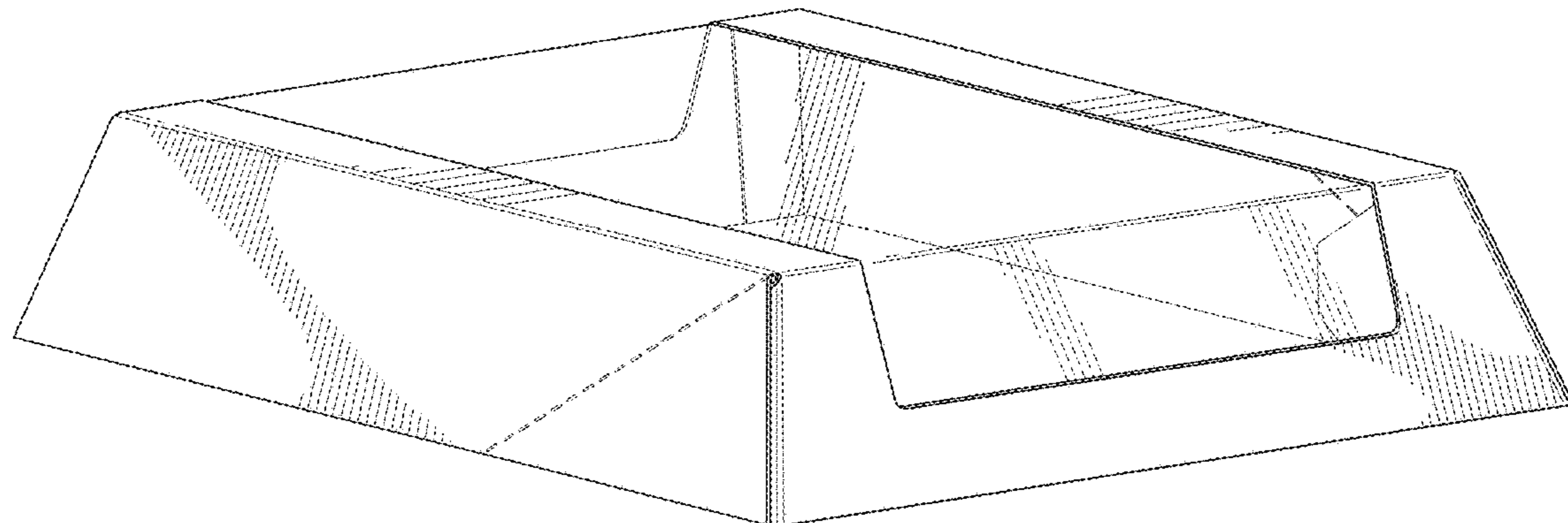
U.S. PATENT DOCUMENTS

D259,253 S * 5/1981 Nelson D9/418
D365,755 S * 1/1996 Kanfer D9/423
D372,401 S 8/1996 Lillelund et al.
D415,960 S 11/1999 Majdanski et al.
D469,349 S * 1/2003 Meeker D9/418
D469,692 S * 2/2003 Meeker D9/431
D519,366 S 4/2006 Epstein
D536,245 S 2/2007 Bruun
D536,612 S 2/2007 Geurts et al.
D578,883 S * 10/2008 Kisch D9/432
D602,353 S * 10/2009 Anderson D9/432
D626,831 S * 11/2010 Nicholas D9/432
D636,662 S 4/2011 Ignacio et al.
D649,067 S * 11/2011 Birdwell D9/418
D675,092 S 1/2013 Sill
D678,779 S * 3/2013 Lee D9/418

DESCRIPTION

FIG. 1 is a perspective view of a closeable container showing a new design;
FIG. 2 is a right side elevation view thereof, the left side being a mirror image;
FIG. 3 is a front elevation view thereof, the rear being a mirror image;
FIG. 4 is a top plan view thereof;
FIG. 5 is a bottom plan view thereof; and,
FIG. 6 is another perspective view thereof, showing the closeable container in an open configuration.
In FIGS. 1, 2, 4 and 6 the dash-dash dotted lines are for the purpose of illustrating perforations and form a part of the claimed design.

1 Claim, 5 Drawing Sheets



(56)

References Cited

U.S. PATENT DOCUMENTS

D712,275	S	9/2014	Irek	
D713,716	S *	9/2014	Oja	D9/418
D716,649	S *	11/2014	McAdam	D9/418
D719,440	S *	12/2014	Matloff	D9/418
D727,732	S	4/2015	Petty	
D729,055	S *	5/2015	Lemnios	D9/418
D739,228	S	9/2015	Jondal et al.	
D746,700	S *	1/2016	Boehnen	D9/418
2009/0236351	A1 *	9/2009	Chu	B65D 25/22 220/751
2015/0344216	A1	12/2015	Petty	

* cited by examiner

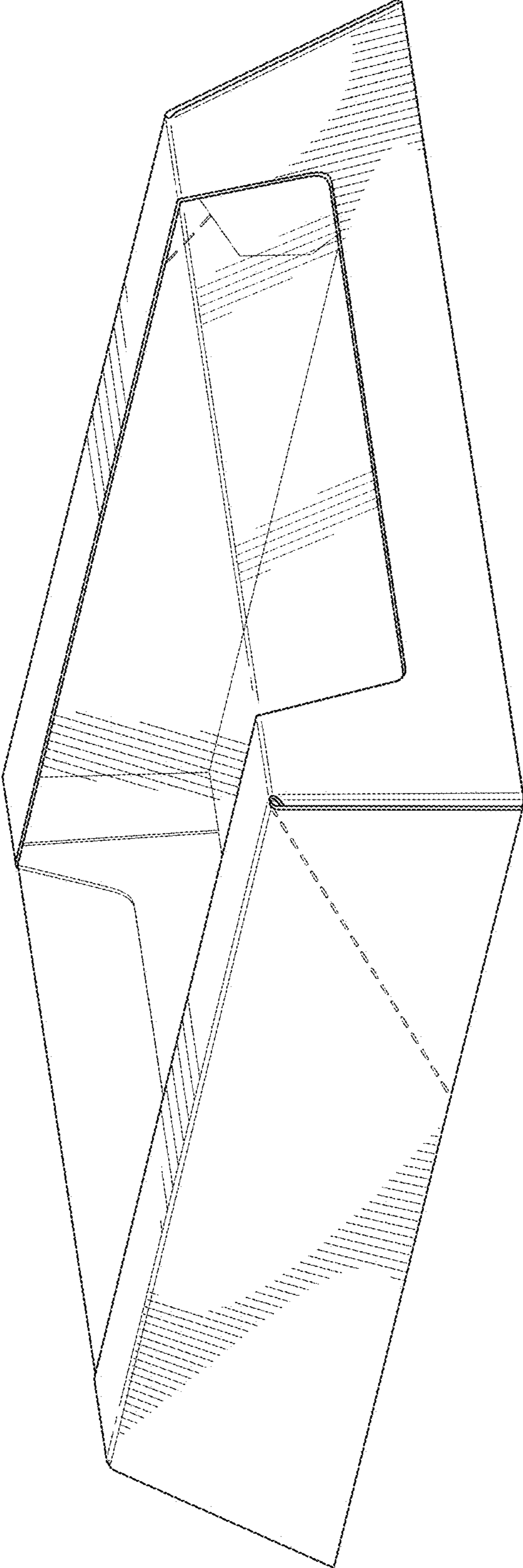


FIG. 1



FIG. 2

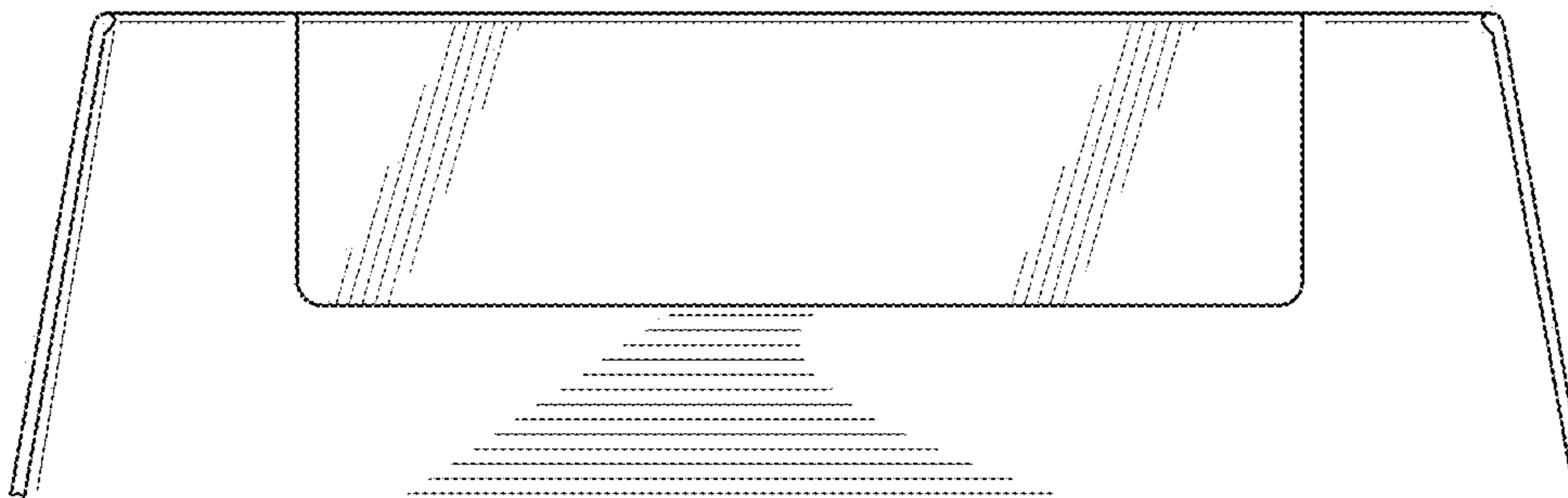


FIG. 3

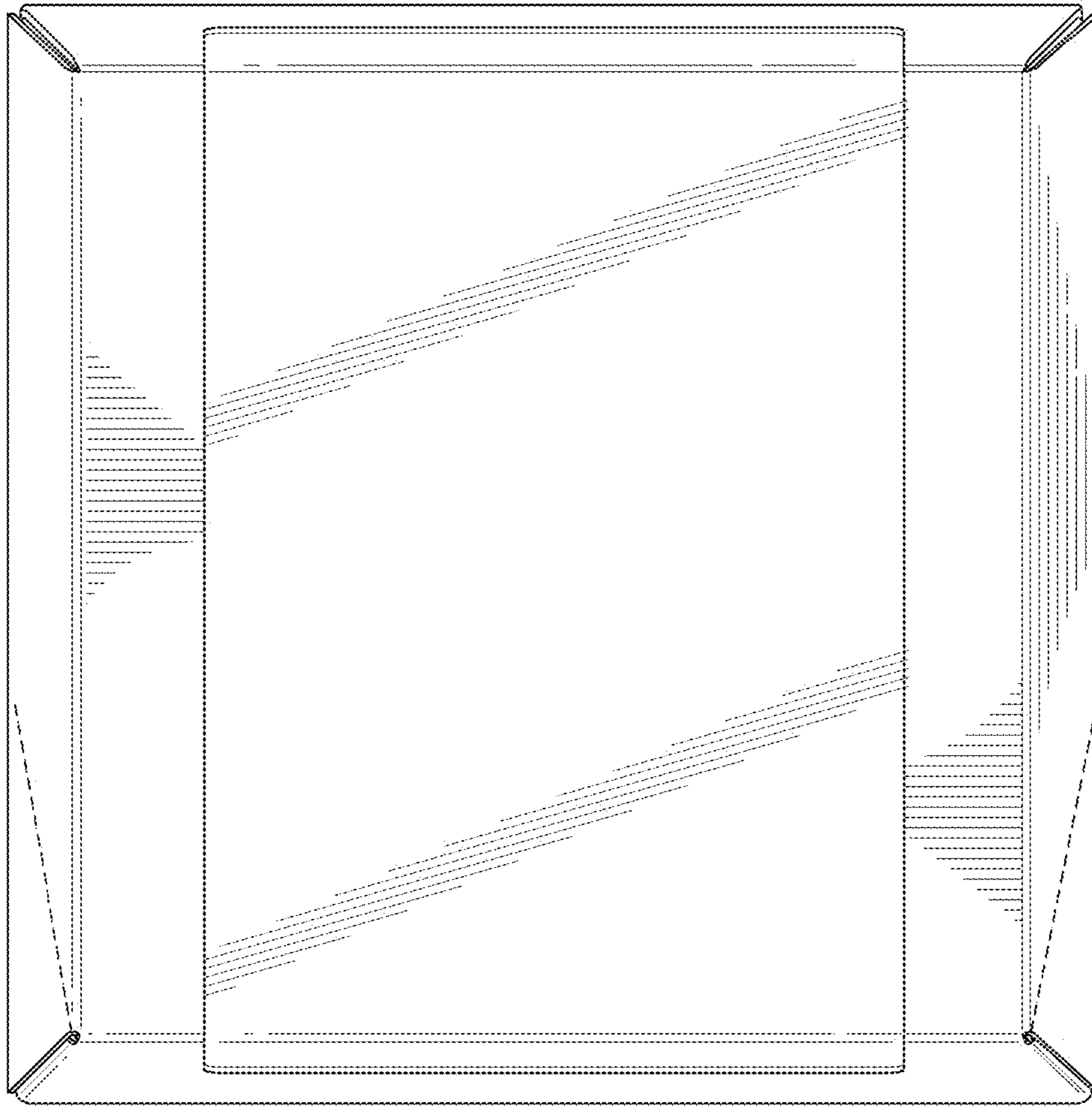


FIG. 4

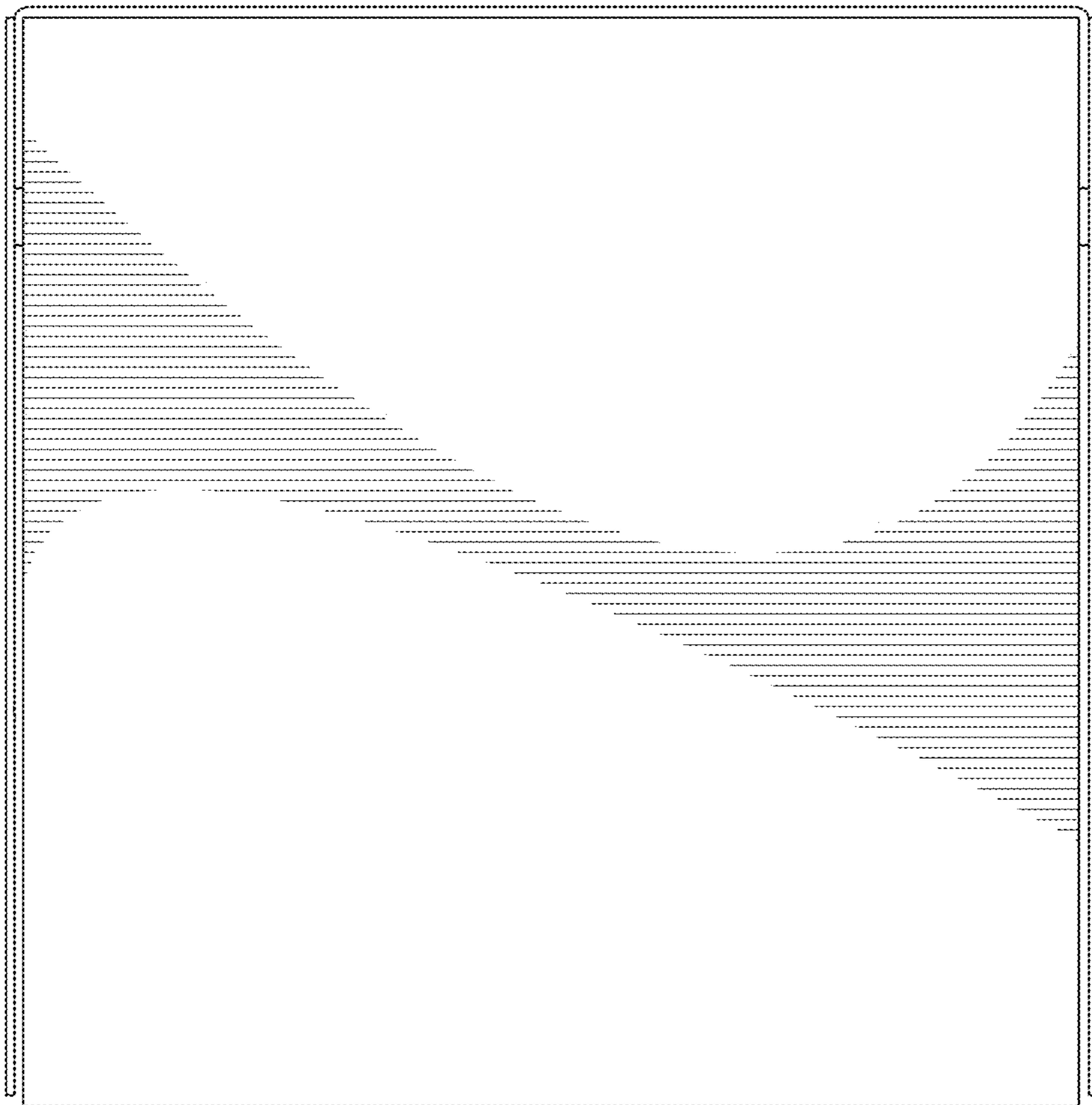


FIG. 5

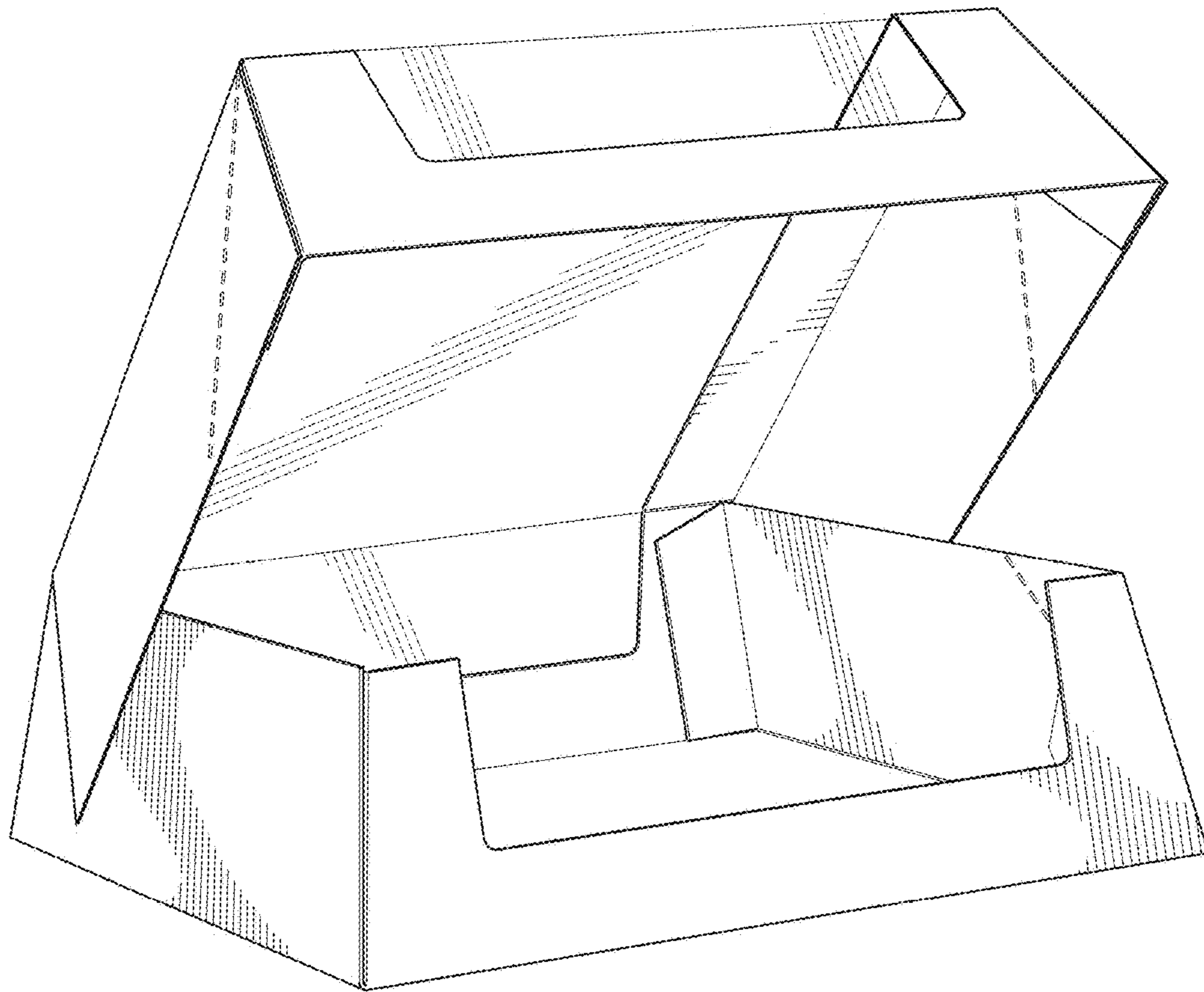


FIG. 6