



US00D774888S

(12) **United States Design Patent** (10) **Patent No.:** **US D774,888 S**
Gerber (45) **Date of Patent:** **** Dec. 27, 2016**

(54) **CAPSULE**
 (71) Applicant: **Migros-Genossenschafts-Bund**, Zurich (CH)
 (72) Inventor: **Thomas Gerber**, Bern (CH)
 (73) Assignee: **Migros-Genossenschafts-Bund**, Zurich (CH)
 (**) Term: **15 Years**
 (21) Appl. No.: **29/528,066**
 (22) Filed: **May 26, 2015**

6,286,705 B1 * 9/2001 Mihalov B29C 65/18
 220/359.3
 D452,433 S 12/2001 Lazaris
 D488,348 S * 4/2004 Liu D7/509
 D513,152 S * 12/2005 Cahen D7/399

(Continued)

Primary Examiner — Rhea Shields
 (74) *Attorney, Agent, or Firm* — Davis & Bujold PLLC;
 Michael J. Bujold

(30) **Foreign Application Priority Data**
 Nov. 26, 2014 (WO) 854904501
 (51) **LOC (10) Cl.** **09-03**
 (52) **U.S. Cl.**
 USPC **D9/416**
 (58) **Field of Classification Search**
 USPC D9/414-419, 499, 424, 429, 428, 434,
 D9/503, 500, 435, 425; D7/630, 400, 510,
 D7/388, 509, 523; 426/80, 112; 52/282;
 229/400; 206/822; 99/279
 CPC B65D 85/8043; B65D 51/28; B31B 3/00;
 A23F 3/14; B65B 7/16; B29C 65/18
 See application file for complete search history.

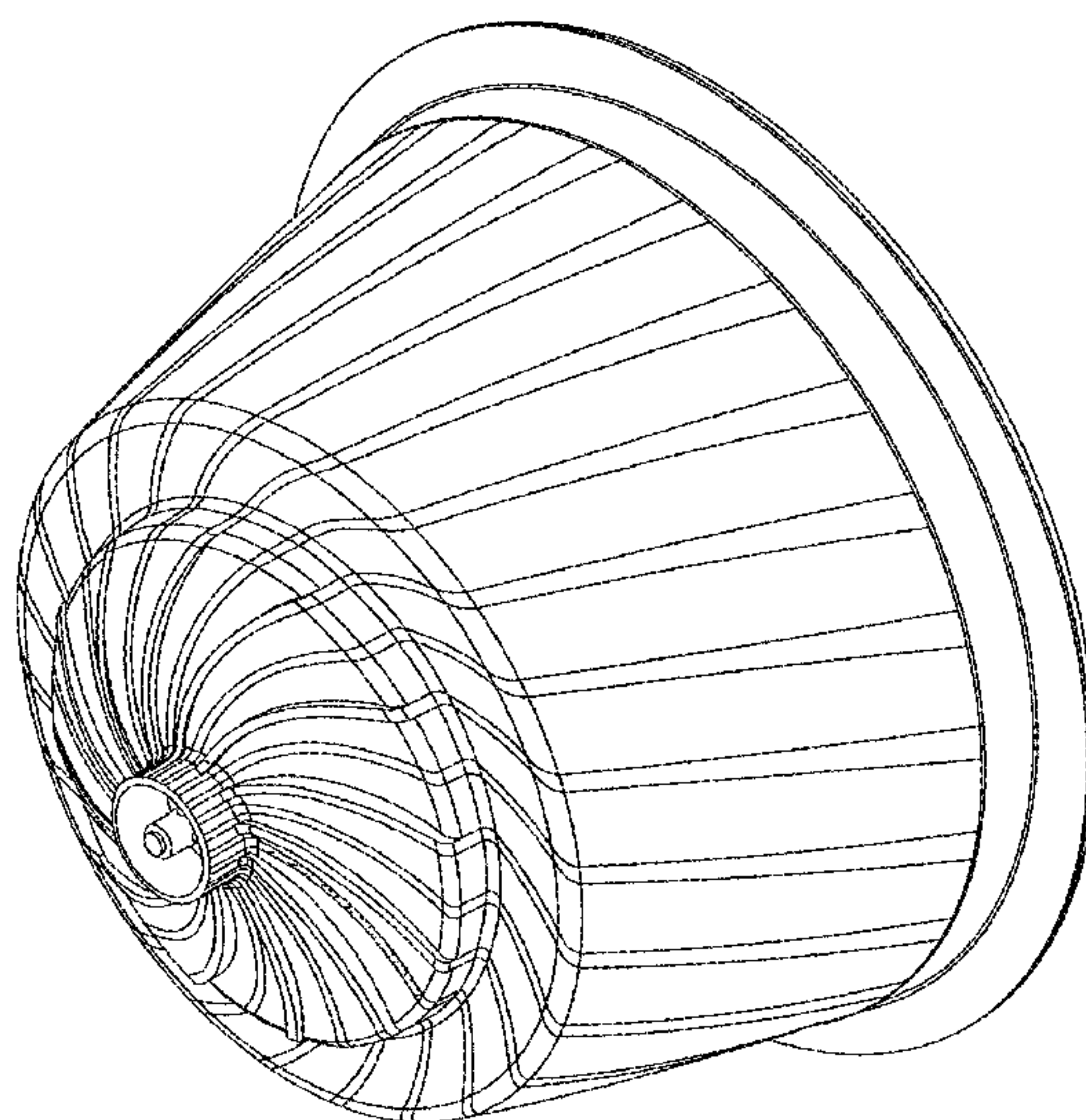
(57) **CLAIM**
 I claim the ornamental design for a capsule, as shown and described.

DESCRIPTION

FIG. 1 is front, bottom, left side perspective view of the capsule;
 FIG. 2 is a front elevational view of the capsule of FIG. 1, the rear elevational view of the capsule being a mirror image thereof;
 FIG. 3 is a left side elevational view of the capsule of FIG. 1, the right side elevational view of the capsule being a mirror image thereof;
 FIG. 4 is a bottom plan view of the capsule of FIG. 1;
 FIG. 5 is a top plan view of the capsule of FIG. 1;
 FIG. 6 is front, top left side perspective view of the capsule of FIG. 1; and,
 FIG. 7 is a perspective view of the capsule from the bottom and rear.
 The surface of the capsule has narrow bands with rough surfaces which are separated by wider bands with smooth surfaces. The narrow bands transition into raised ridges in the top most portion of the capsule. Any discrepancy or inconsistency between the line drawings and the photographs should be resolved in favor of the photographs. In the drawings, the broken lines are for the purpose of illustrating environment only and form no part of the claimed design.

(56) **References Cited**
 U.S. PATENT DOCUMENTS
 3,527,020 A * 9/1970 Mancini B65B 7/16
 53/282
 D248,916 S * 8/1978 Reynolds 229/400
 D317,120 S * 5/1991 Schwartzburg D9/435
 5,064,073 A * 11/1991 Folland B65D 51/28
 206/822
 D422,841 S * 4/2000 Milford D7/523
 D445,677 S * 7/2001 Lindsay D9/425

1 Claim, 7 Drawing Sheets



(56)

References Cited

U.S. PATENT DOCUMENTS

D539,643	S *	4/2007	Abel	D9/414
D559,623	S *	1/2008	Schellenberg	D7/510
D580,750	S *	11/2008	Claassen	D9/428
D606,363	S *	12/2009	Aardenburg	D7/400
D621,698	S *	8/2010	Cometto	D9/424
D628,883	S *	12/2010	Stephens	D9/429
D640,547	S *	6/2011	Guillemin	D9/417
D642,454	S *	8/2011	Santoiemmo	D9/428
D649,870	S *	12/2011	Cometto	D9/424
D652,266	S *	1/2012	Smyers	D7/630
D652,718	S *	1/2012	Caldwell	D9/434
D658,493	S *	5/2012	Cometto	D9/503
D686,496	S *	7/2013	Strauli	D9/434
D689,768	S *	9/2013	Inderbitzin	D9/429
D695,110	S *	12/2013	Houlton	D9/500
D703,035	S *	4/2014	Zanetti	D9/416
D703,039	S *	4/2014	Hansen	D9/429
2003/0005826	A1 *	1/2003	Sargent	A23F 3/14 99/279
2011/0212225	A1 *	9/2011	Mariller	B65D 85/8043 426/80
2013/0136828	A1 *	5/2013	Anghileri	B31B 3/00 426/112
2014/0161937	A1 *	6/2014	Rondelli	B65D 85/8043 426/80

* cited by examiner

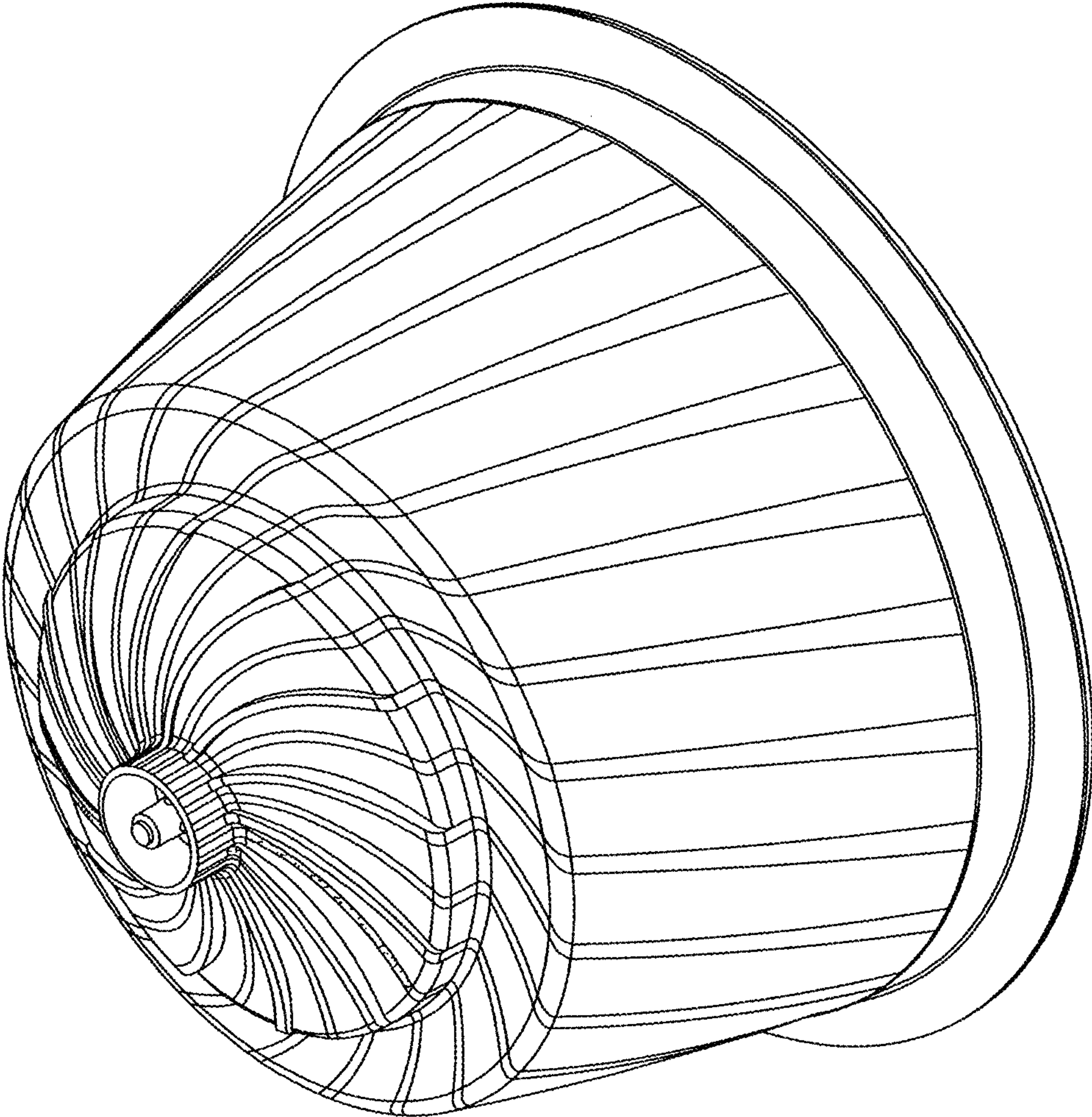


FIG. 1

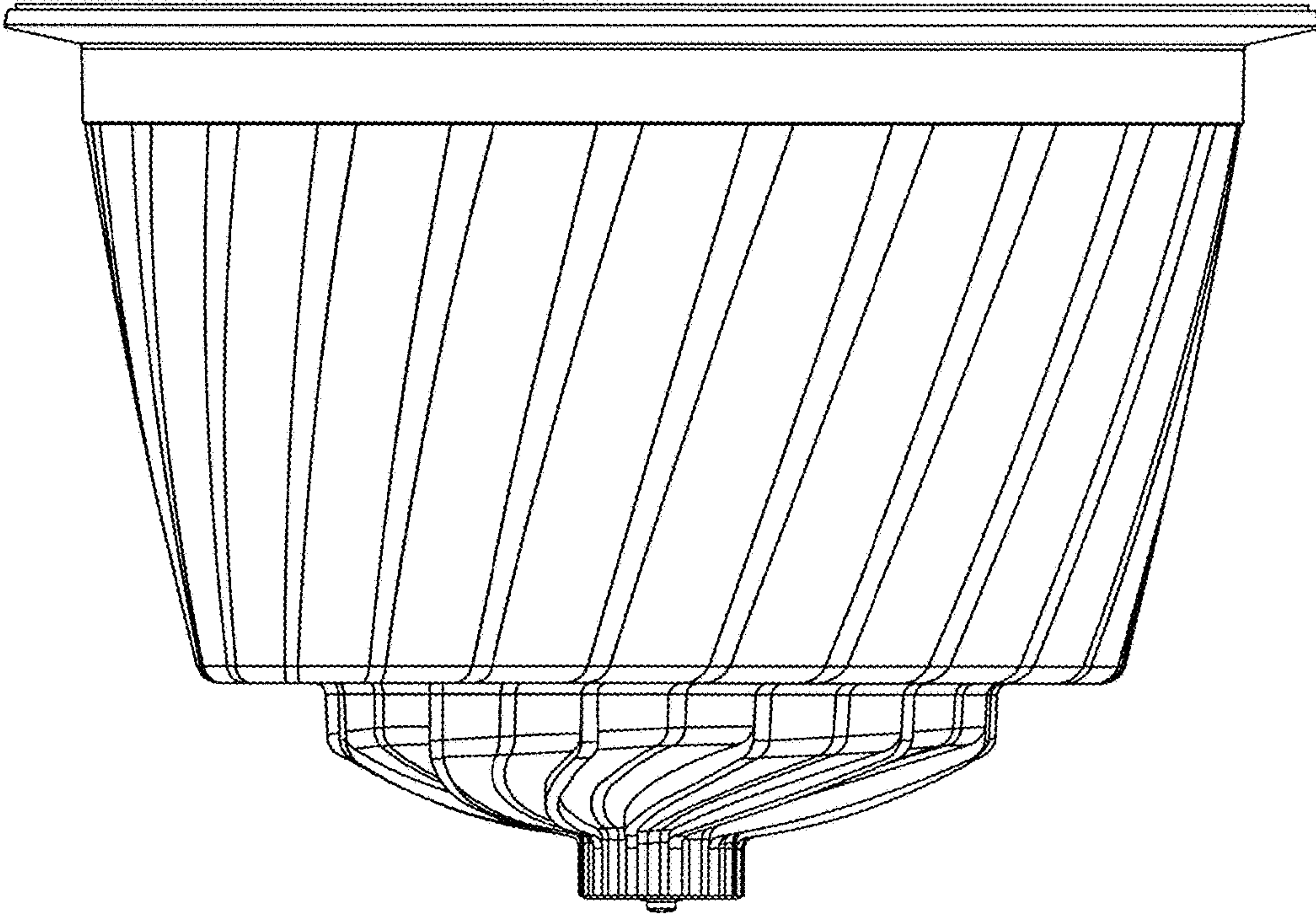


FIG.2

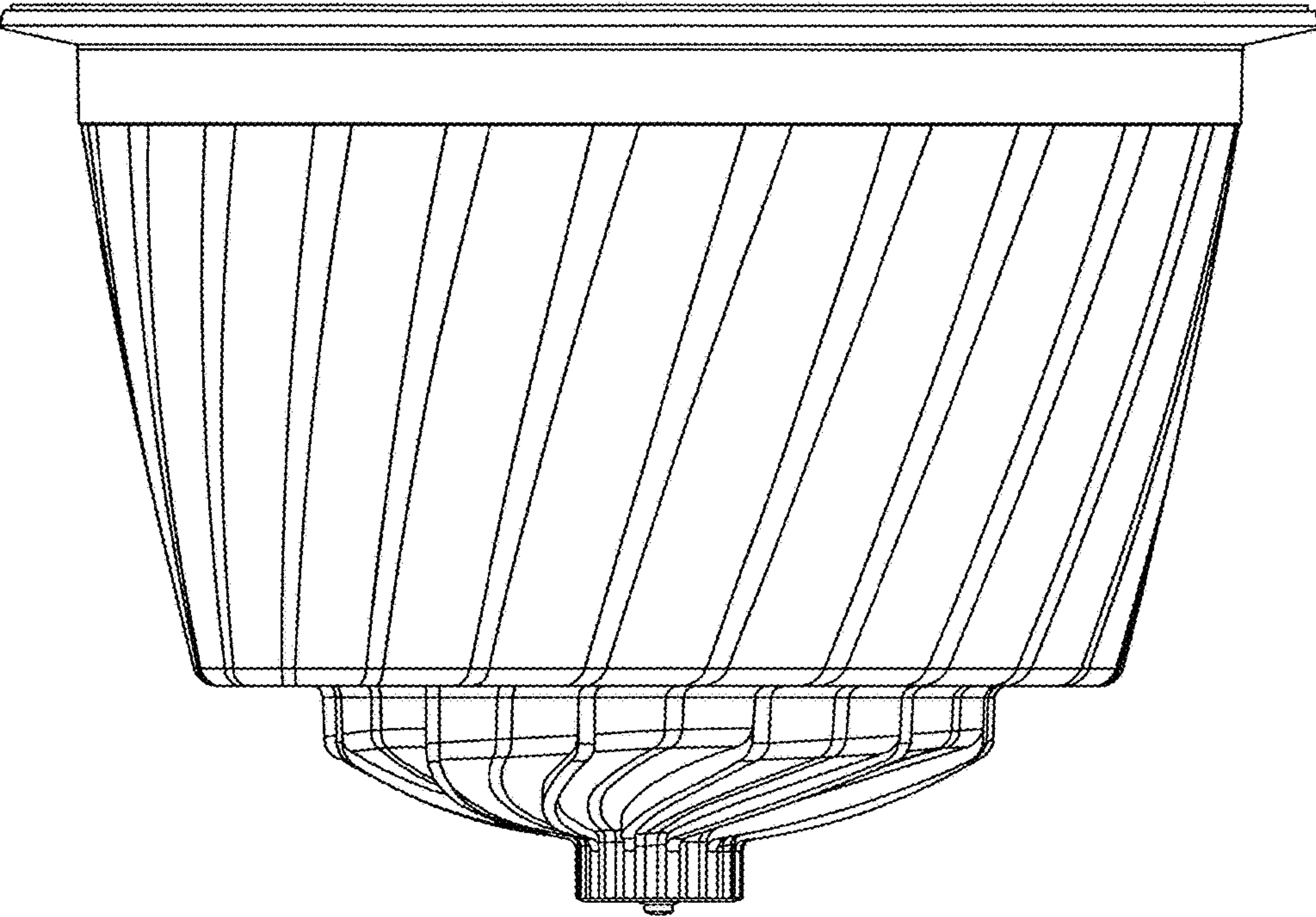


FIG.3

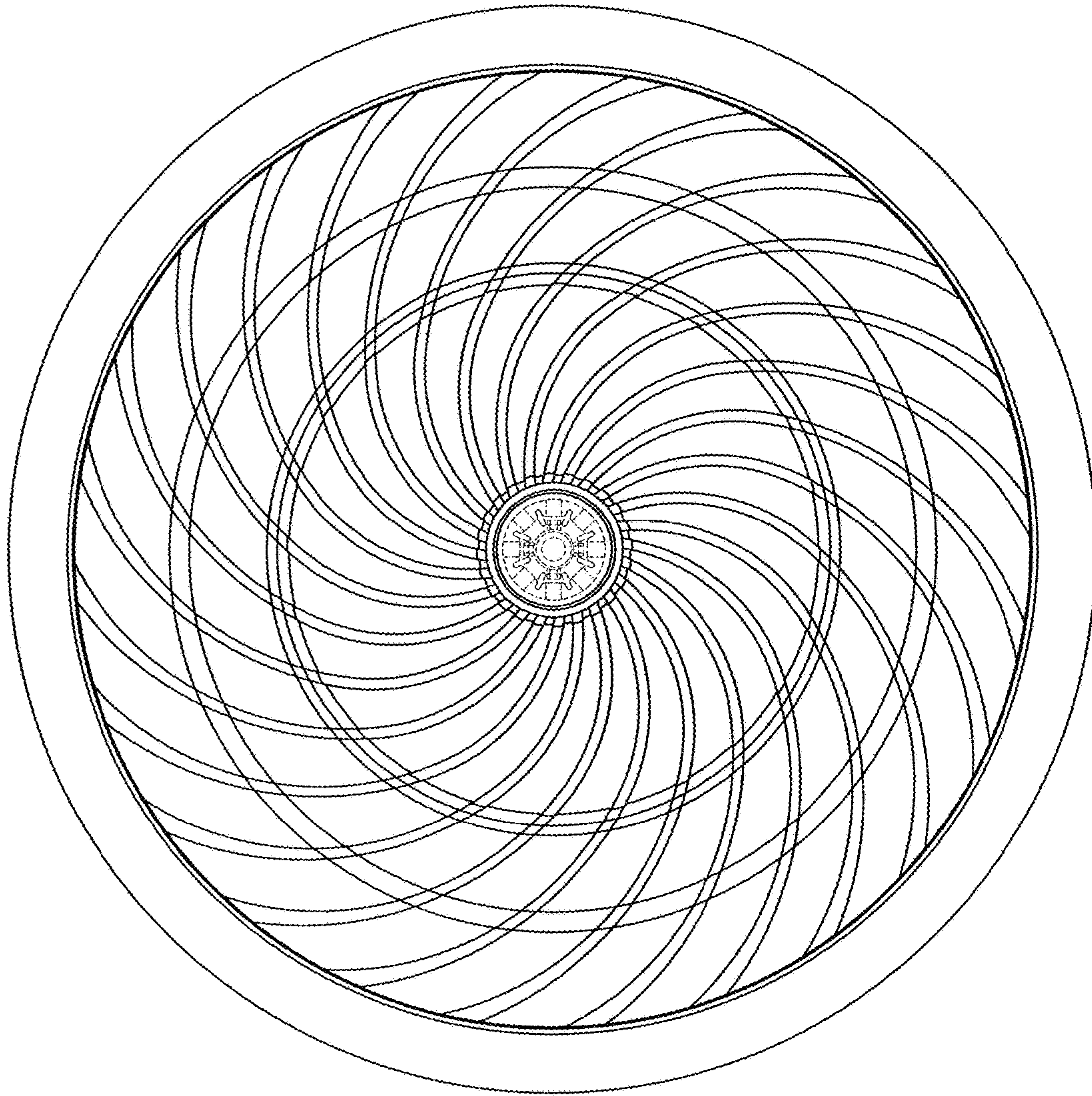


FIG.4

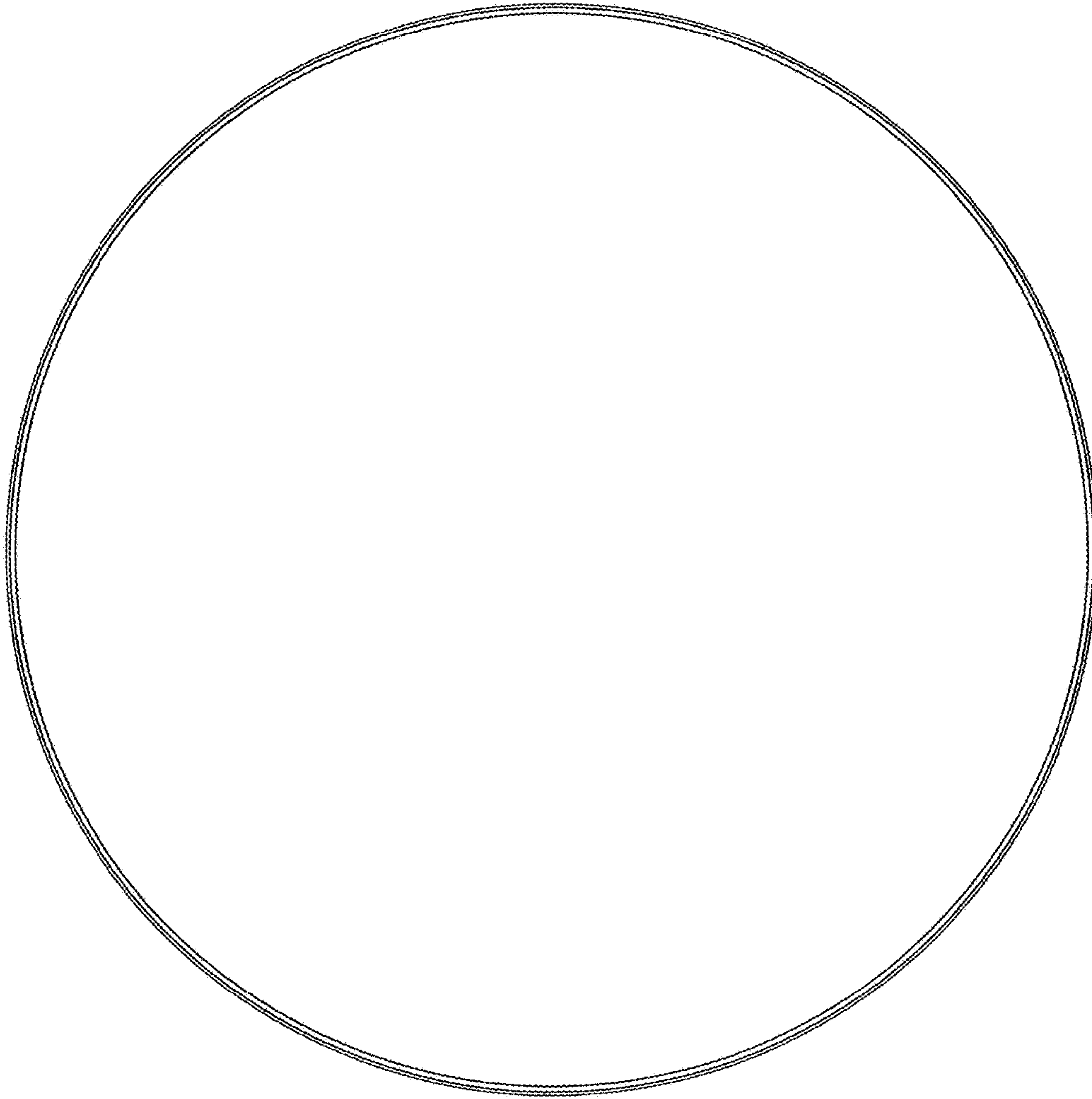


FIG.5

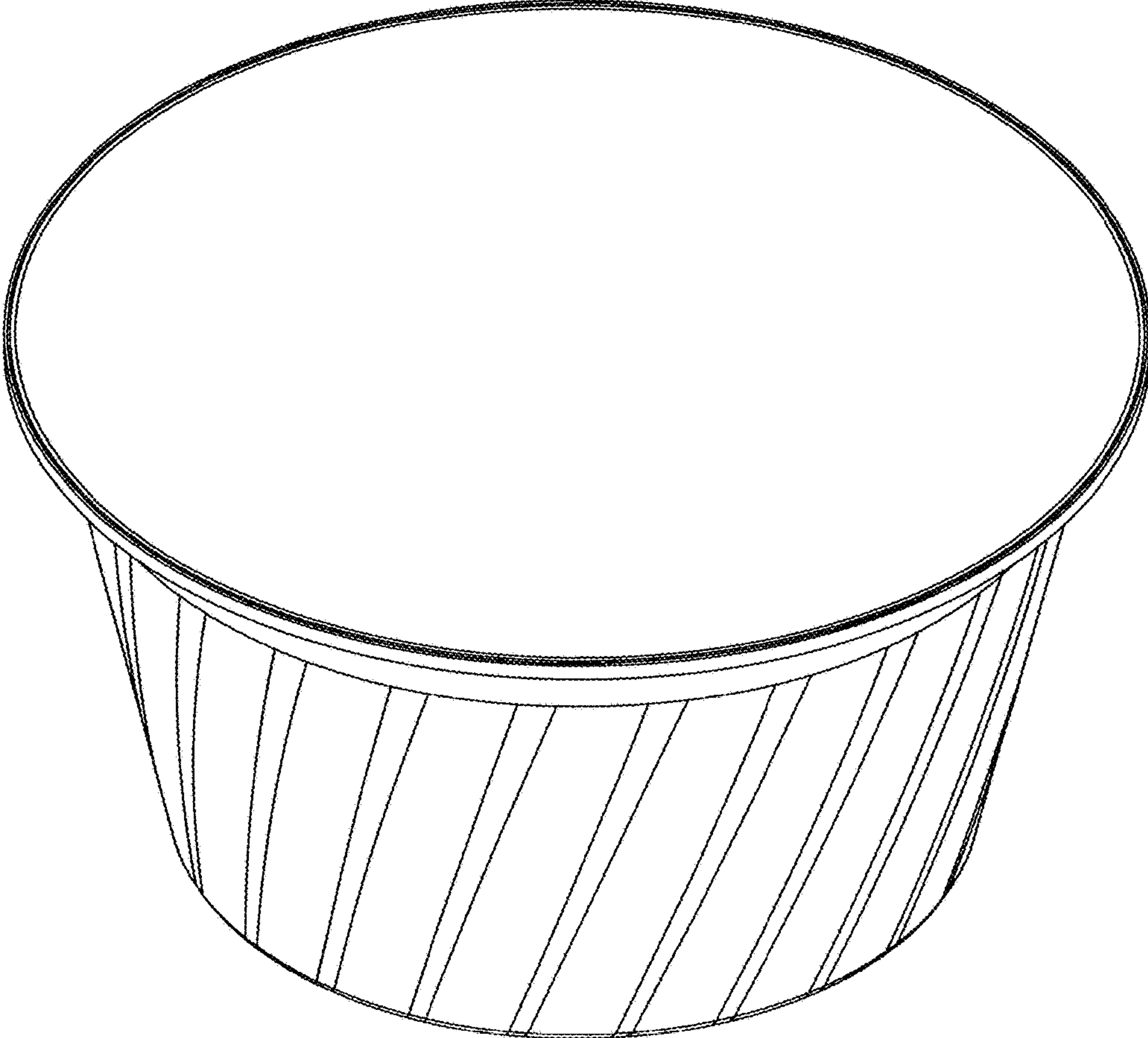


FIG.6

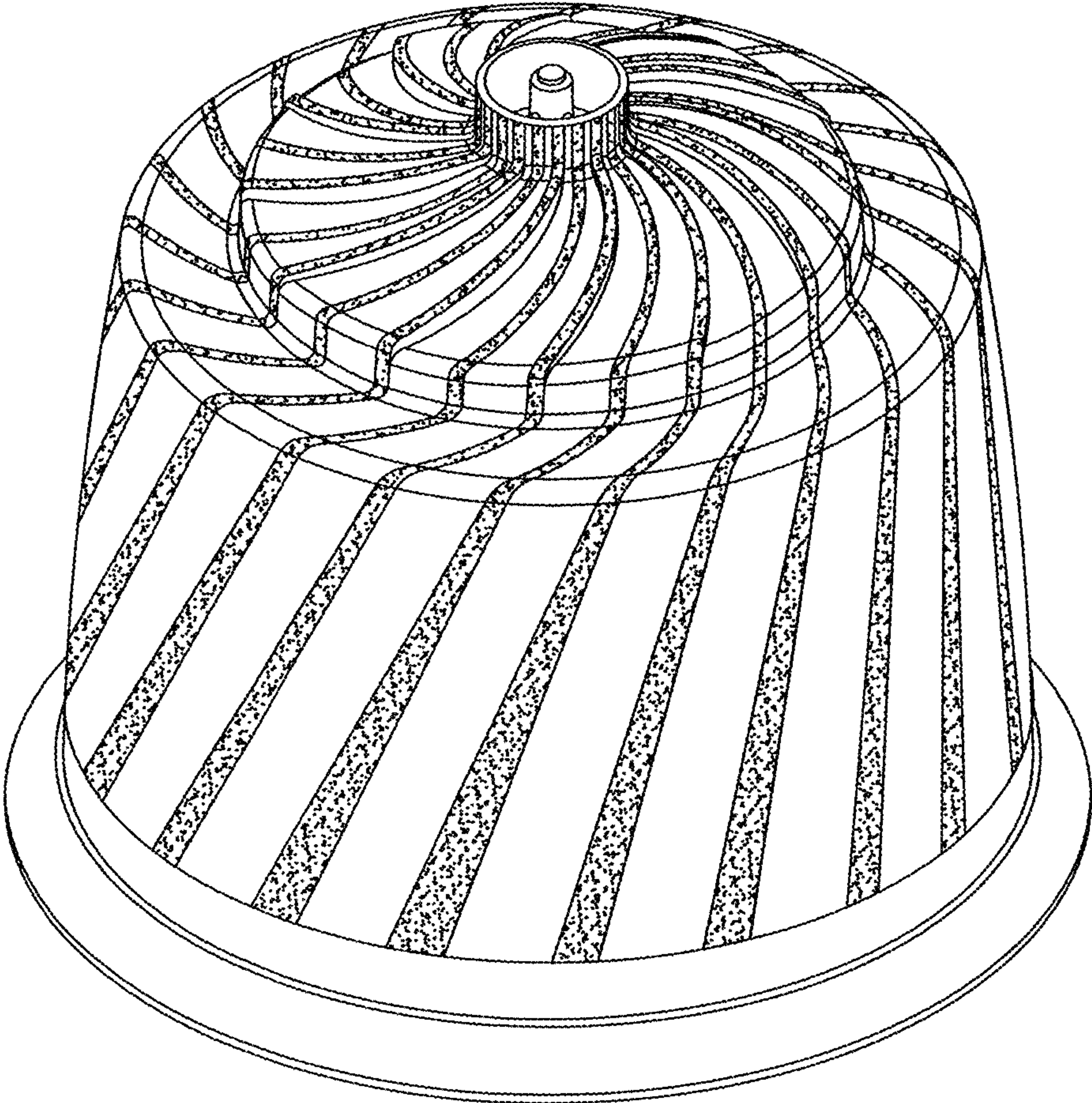


FIG. 7