



US00D774881S

(12) **United States Design Patent**  
**Glass et al.**

(10) **Patent No.:** **US D774,881 S**

(45) **Date of Patent:** **\*\* Dec. 27, 2016**

(54) **COFFEE CUP SLIDER**

(71) Applicant: **Gift Card Impressions, LLC**, Kansas City, MO (US)

(72) Inventors: **Brett R. Glass**, Kansas City, MO (US);  
**Nicole E. Glass**, Kansas City, MO (US)

(73) Assignee: **Gift Card Impressions, LLC**, Kansas City, MO (US)

(\*\*) Term: **14 Years**

(21) Appl. No.: **29/497,370**

(22) Filed: **Jul. 23, 2014**

(51) **LOC (10) Cl.** ..... **09-03**

(52) **U.S. Cl.**  
USPC ..... **D9/414**

(58) **Field of Classification Search**  
USPC ..... D9/414, 415, 418, 433, 722, 457, 456,  
D9/499; 206/461, 463, 464, 768, 476, 489,  
206/704, 449; 383/107; D19/1-12, 100;  
D20/10, 11, 40, 99, 42, 22, 27;  
40/124.01-124.15, 630, 642.01,  
40/642.02, 539, 594, 672, 786; 283/72,  
283/74-75, 103, 105-107, 62; 235/380,  
235/382  
CPC B65D 75/36; B65D 73/0092; B65D 73/005;  
B65D 2585/88; B65D 29/00; G09F 5/042;  
B42F 7/10  
See application file for complete search history.

(56) **References Cited**

U.S. PATENT DOCUMENTS

- 3,487,915 A \* 1/1970 Scott ..... B65D 75/38  
206/461
- 3,755,925 A \* 9/1973 Court ..... B65D 5/4204  
206/232
- 3,939,979 A \* 2/1976 Neumayer ..... B65D 75/366  
206/461
- D265,551 S \* 7/1982 Colby ..... D9/415
- D350,479 S \* 9/1994 Livezey ..... D9/415

- D394,387 S \* 5/1998 Williams ..... D9/433
- D408,054 S \* 4/1999 Leedy, Jr. .... D19/9
- 6,039,185 A \* 3/2000 Pedracine ..... H01M 2/1038  
206/469
- 6,439,613 B2 \* 8/2002 Klure ..... B42D 15/025  
206/454

(Continued)

OTHER PUBLICATIONS

“Happy Birthday! Coffee Cup Slider Card Tutorial”, Oct. 4, 2010,  
<http://creativecucina.com/tag/coffee/>, 4 pgs.

(Continued)

Primary Examiner — Rhea Shields

(74) Attorney, Agent, or Firm — Polsinelli PC

(57) **CLAIM**

The ornamental design for a coffee cup slider, as shown and described.

**DESCRIPTION**

FIG. 1 is a perspective view of a coffee cup slider according to an embodiment of the invention shown in a closed disposition;

FIG. 2 is a perspective view of the coffee cup slider of FIG. 1 in an open disposition;

FIG. 3 is a front elevation view of the coffee cup slider of FIG. 1;

FIG. 4 is a rear elevation view of the coffee cup slider of FIG. 1;

FIG. 5 is a right elevation view of the coffee cup slider of FIG. 1;

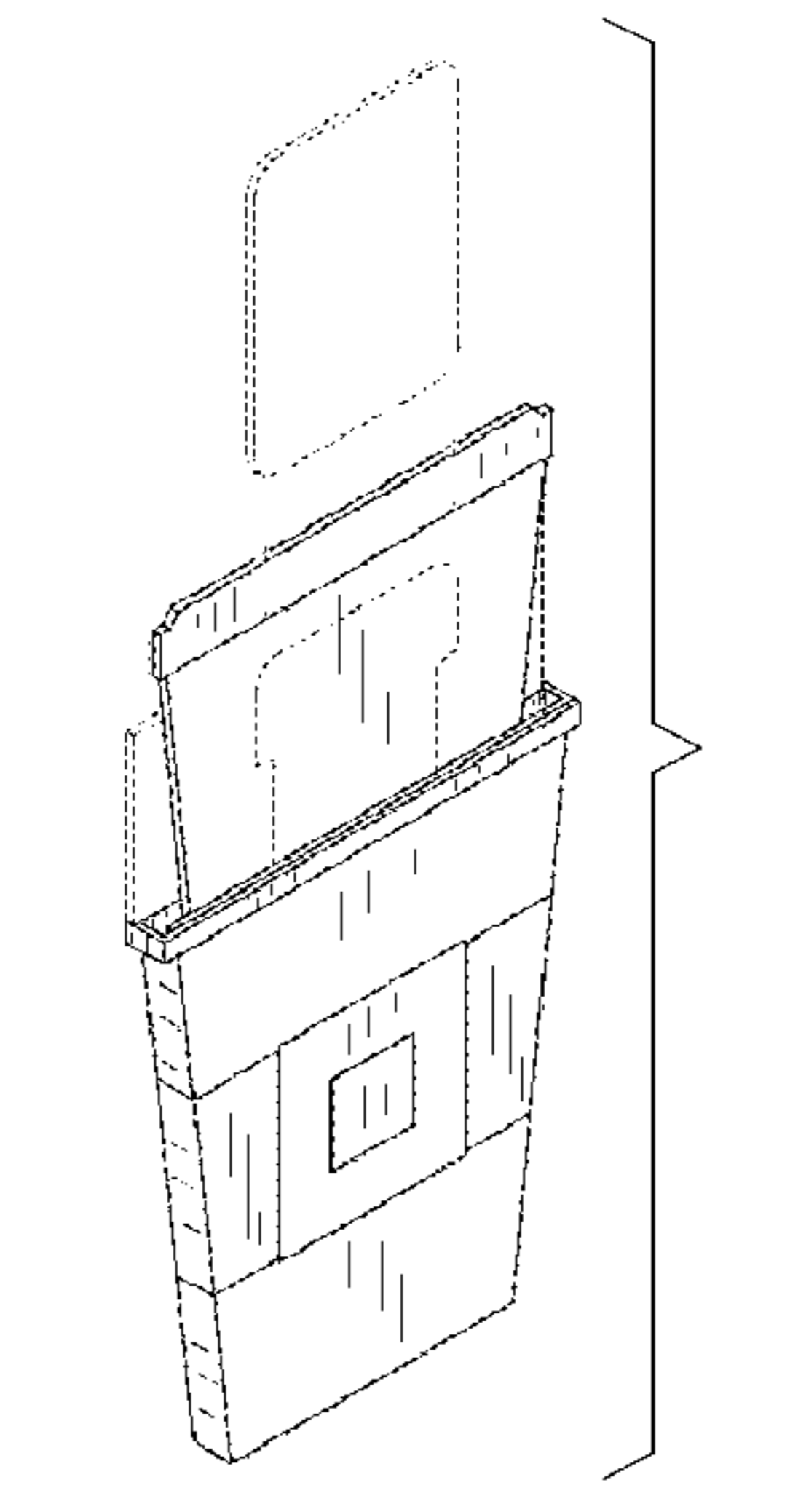
FIG. 6 is a left elevation view of the coffee cup slider of FIG. 1;

FIG. 7 is a top plan view of the coffee cup slider of FIG. 1; and,

FIG. 8 is a bottom plan view of the coffee cup slider of FIG. 1.

The broken dashed lines (- - -) showing in FIGS. 1-6 and 8 are included for the purpose of illustrating portions of the coffee cup slider that form no part of the claimed design.

**1 Claim, 4 Drawing Sheets**



(56)

References Cited

U.S. PATENT DOCUMENTS

6,814,225 B2 \* 11/2004 Belden, Jr. .... E05B 73/0023  
 206/1.5  
 D506,340 S \* 6/2005 Brandon ..... D6/707.19  
 D512,095 S \* 11/2005 Allard ..... D19/10  
 D526,012 S \* 8/2006 Dorr ..... D19/9  
 D555,511 S \* 11/2007 Warmka ..... D9/722  
 D568,389 S \* 5/2008 Hammad ..... D14/436  
 D569,902 S \* 5/2008 Chang ..... D19/2  
 D573,182 S \* 7/2008 Ricketts ..... D19/10  
 D594,323 S \* 6/2009 Friedman ..... D9/423  
 D608,194 S \* 1/2010 Gajardo ..... D9/433  
 D615,418 S \* 5/2010 Criss ..... D9/711  
 D625,185 S \* 10/2010 Clark ..... D9/444  
 D625,598 S \* 10/2010 Ruth ..... D9/415  
 D632,169 S \* 2/2011 Ruth ..... D9/418  
 D632,694 S \* 2/2011 Dickhoff ..... D14/435  
 D641,792 S \* 7/2011 Turner ..... D19/11  
 D642,623 S \* 8/2011 Turner ..... D19/11  
 D646,964 S \* 10/2011 Ampadu ..... D9/420  
 D654,358 S \* 2/2012 Ampadu ..... D9/420  
 D655,153 S \* 3/2012 Mitten ..... D9/420  
 D657,415 S \* 4/2012 Taylor ..... D19/2  
 D681,453 S \* 5/2013 Glass ..... D9/433

D682,711 S \* 5/2013 Rider ..... D9/715  
 D685,635 S \* 7/2013 Glass ..... D9/415  
 D710,700 S \* 8/2014 Glass ..... D9/434  
 D713,449 S \* 9/2014 Glass ..... D19/2  
 2006/0151348 A1 \* 7/2006 Willard ..... B65D 73/0078  
 206/449  
 2007/0169387 A1 \* 7/2007 Glass ..... G09F 27/00  
 40/124.03  
 2013/0153454 A1 \* 6/2013 Glass ..... B65D 85/00  
 206/457  
 2013/0168282 A1 \* 7/2013 Glass ..... B65D 73/00  
 206/459.5  
 2013/0199964 A1 \* 8/2013 Glass ..... G09F 1/065  
 206/767  
 2013/0220843 A1 \* 8/2013 Glass ..... B65D 73/0078  
 206/45.24  
 2014/0216982 A1 \* 8/2014 Boyer ..... B65D 5/38  
 206/758

OTHER PUBLICATIONS

“Christmas Coffee Cup Pocket Card”, Oct. 8, 2010, <http://wizardshangout.blogspot.com.au/2010/10/christmas-coffee-cup-pocket-card.html>, 11 pgs.

\* cited by examiner

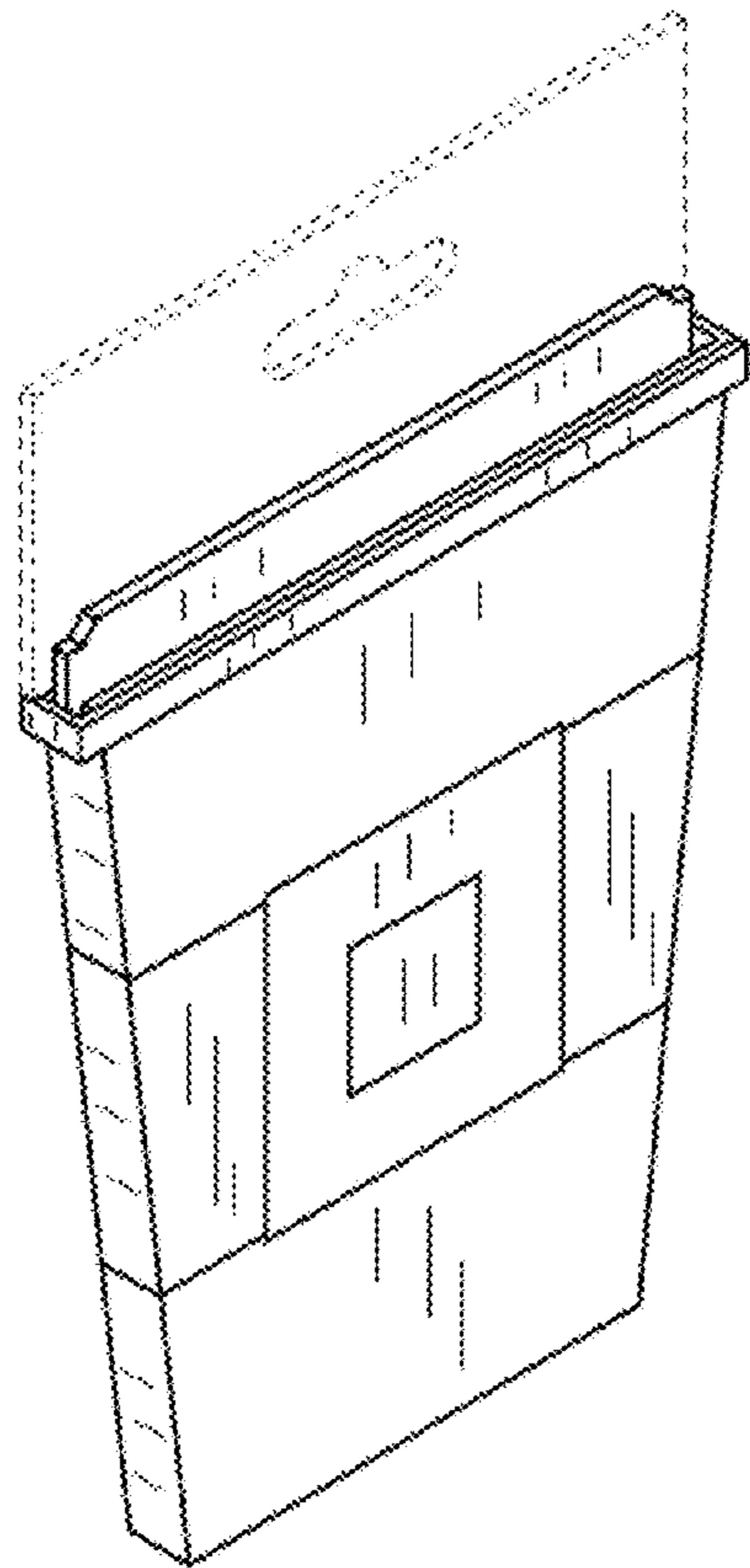


FIG. 1

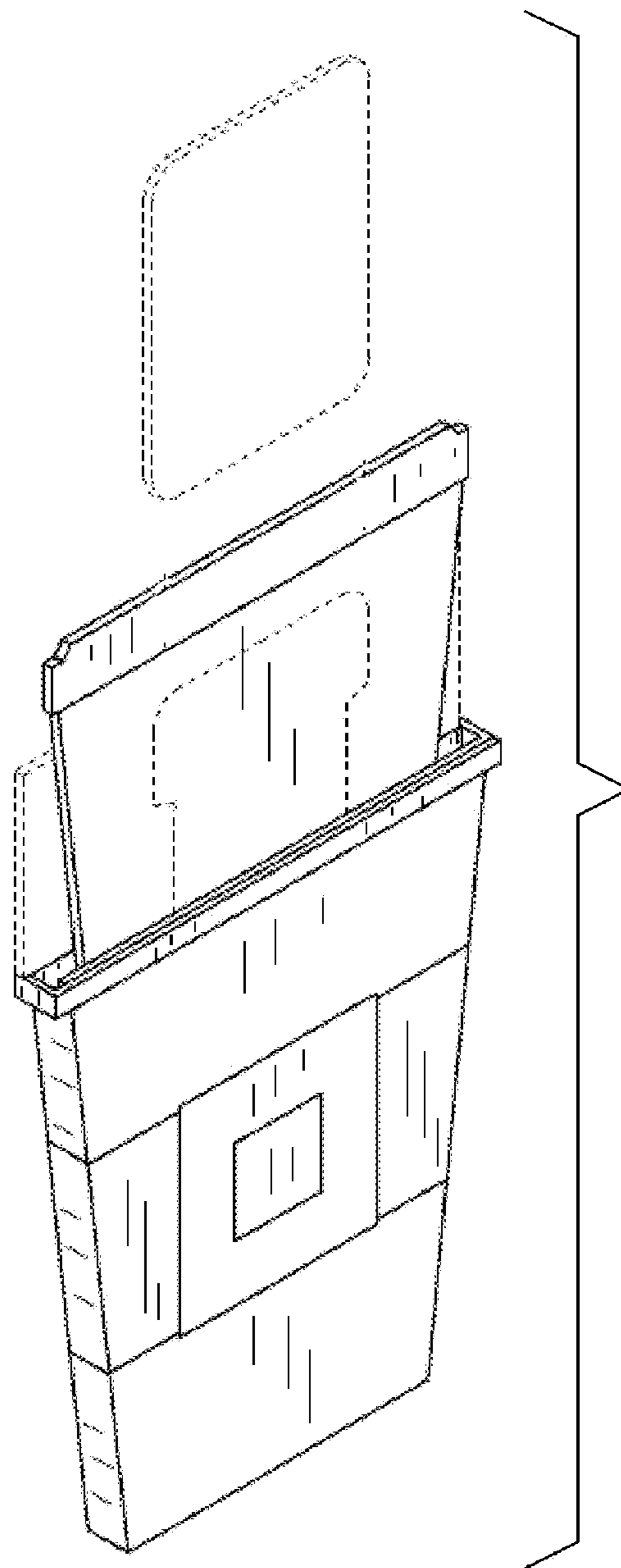


FIG. 2

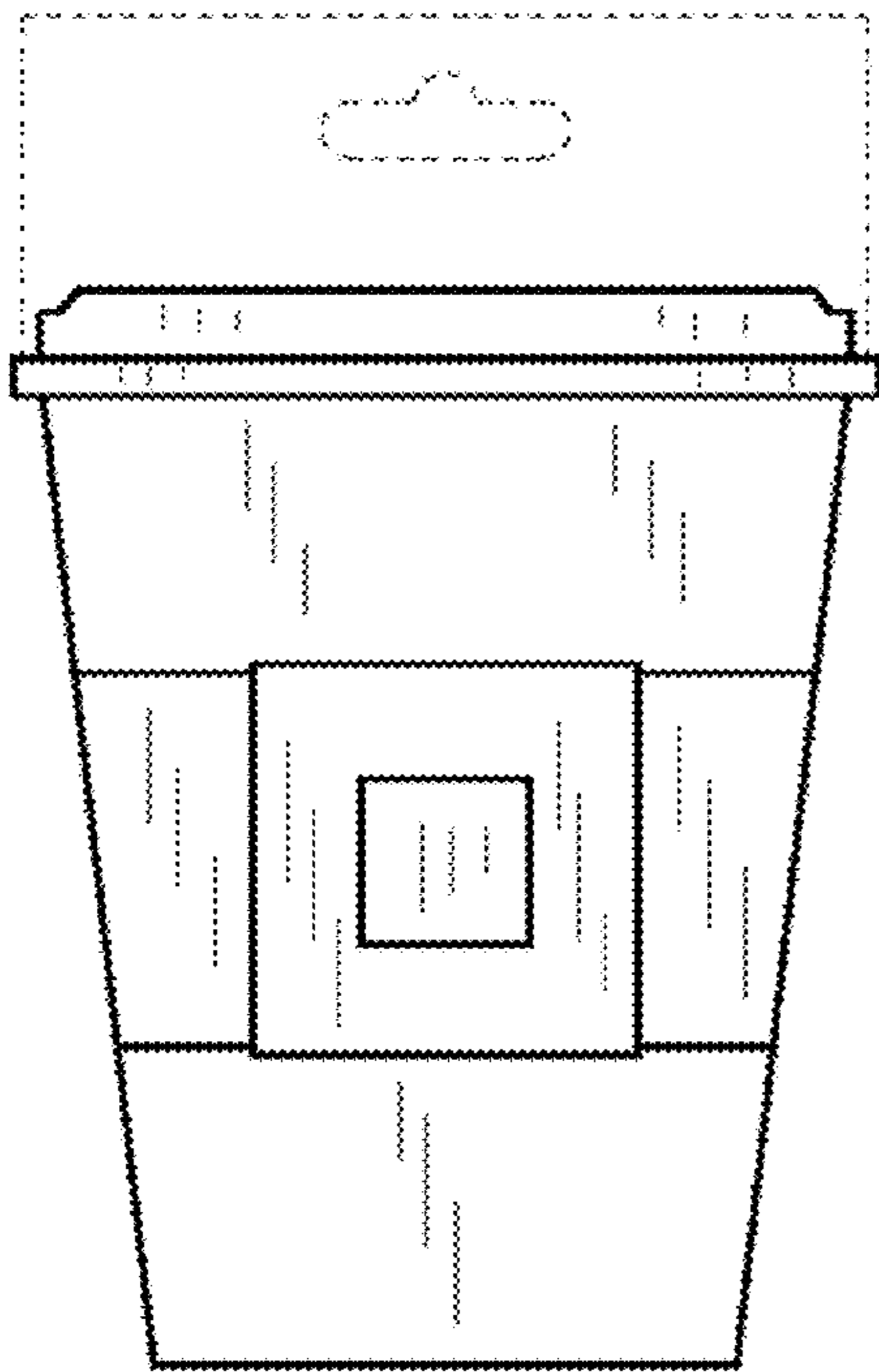


FIG. 3

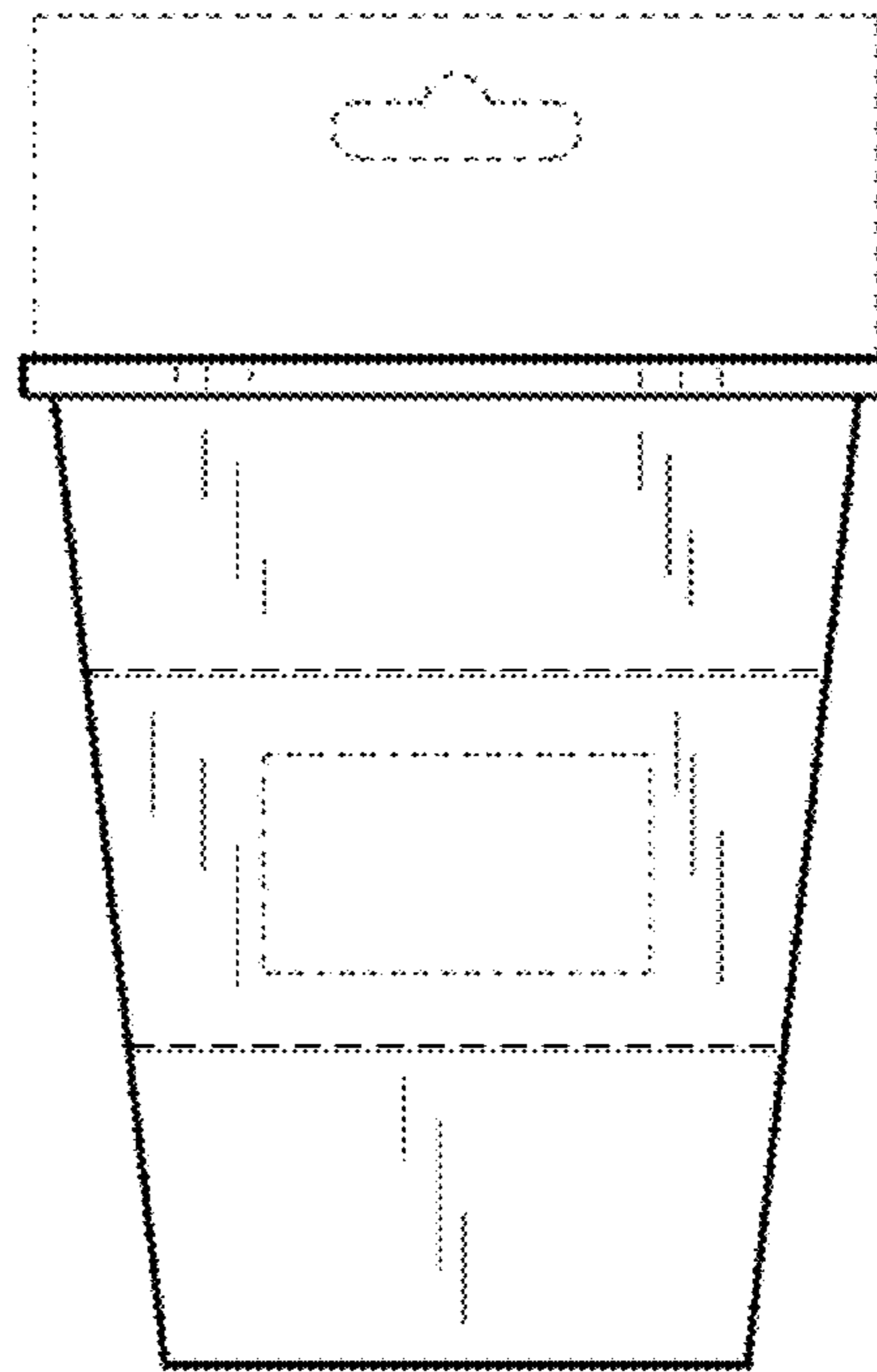


FIG. 4

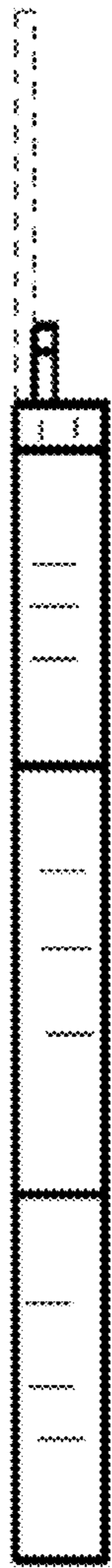


FIG. 5



FIG. 6

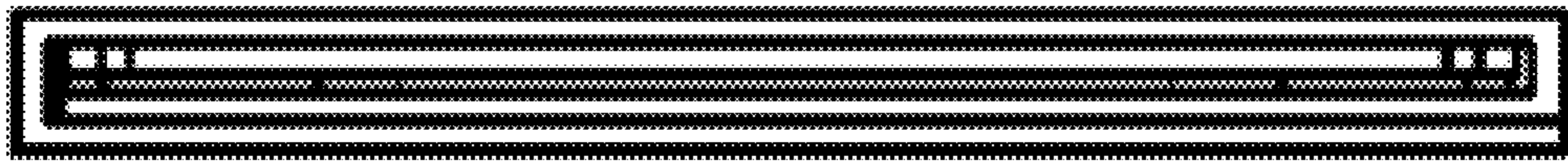


FIG. 7

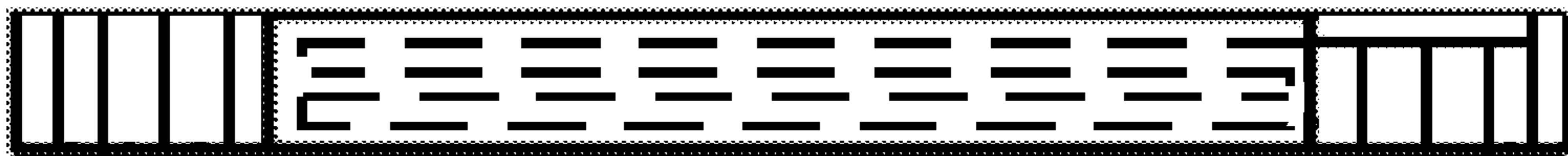


FIG. 8