



US00D774880S

(12) **United States Design Patent**
Wirth

(10) **Patent No.:** **US D774,880 S**

(45) **Date of Patent:** **** Dec. 27, 2016**

(54) **HANGER CLIP**

(71) Applicant: **Liberty Procurement Co. Inc.**, Union,
NJ (US)

(72) Inventor: **Joshua Wirth**, Mountainside, NJ (US)

(73) Assignee: **Liberty Procurement Co. Inc.**, Union,
NJ (US)

(**) Term: **15 Years**

(21) Appl. No.: **29/530,925**

(22) Filed: **Jun. 22, 2015**

(51) **LOC (10) Cl.** **08-08**

(52) **U.S. Cl.**
USPC **D8/394**

(58) **Field of Classification Search**
USPC D8/394, 395, 396, 382, 72, 354, 356,
D8/355, 73, 371; 248/68.1, 74.3, 62;
285/420; 24/336, 341, 297; 439/758
CPC F16L 23/08; F16L 3/085; F16L 3/221;
F16L 3/137; F16L 3/08; E21F
17/02; Y10S 248/913; A44B 21/00
See application file for complete search history.

(56) **References Cited**

U.S. PATENT DOCUMENTS

D34,445 S * 4/1901 Burkholder D8/373
3,112,911 A * 12/1963 Cornwell A47G 25/08
248/215
D260,480 S * 9/1981 DeMars D6/323
D277,546 S * 2/1985 Trotta D8/349

D289,972 S * 5/1987 Fogelman D8/367
D308,017 S * 5/1990 Fujioka D13/154
D385,481 S * 10/1997 Klein D8/373
D455,337 S * 4/2002 Maruoka D8/383
6,691,374 B2 * 2/2004 Coyne A45F 5/02
24/3.1
D641,614 S * 7/2011 Pontaoe D8/394
D672,223 S * 12/2012 Thompson D8/356

* cited by examiner

Primary Examiner — Ralf Seifert

(74) *Attorney, Agent, or Firm* — Lerner, David,
Littenberg, Krumholz & Mentlik, LLP

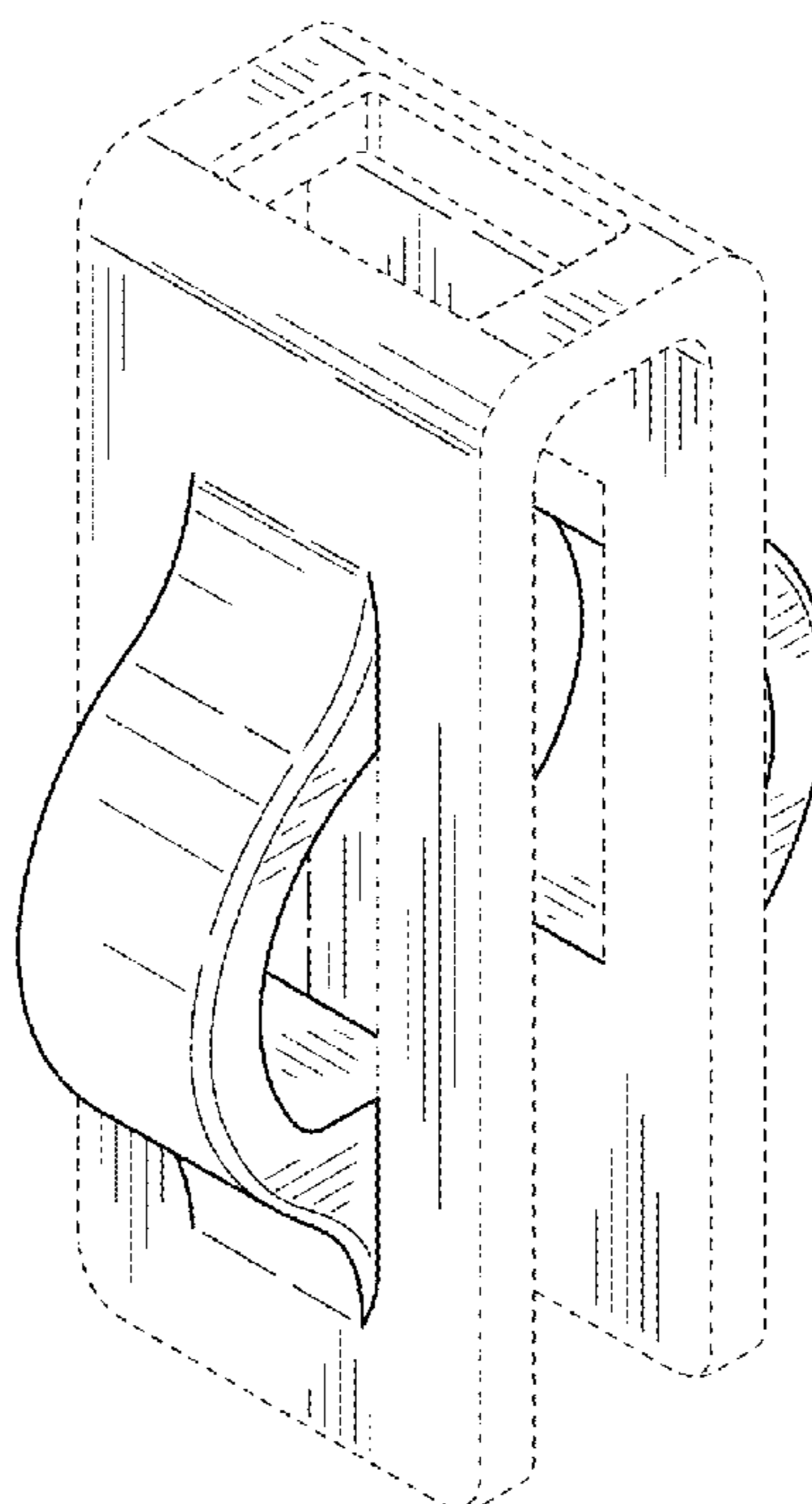
(57) **CLAIM**

The ornamental design for a hanger clip, as shown and described.

DESCRIPTION

FIG. 1 is a perspective view of a hanger clip showing my new design;
FIG. 2 is a front plan view;
FIG. 3 is a back plan view;
FIG. 4 is a right side elevational view;
FIG. 5 is a left side elevational view;
FIG. 6 is a top plan view; and,
FIG. 7 is a bottom plan view.
The broken lines shown in the drawings represent portions of the hanger clip that form no part of the claimed design. The broken line(s) which define the bounds of the claimed design form no part thereof.

1 Claim, 4 Drawing Sheets



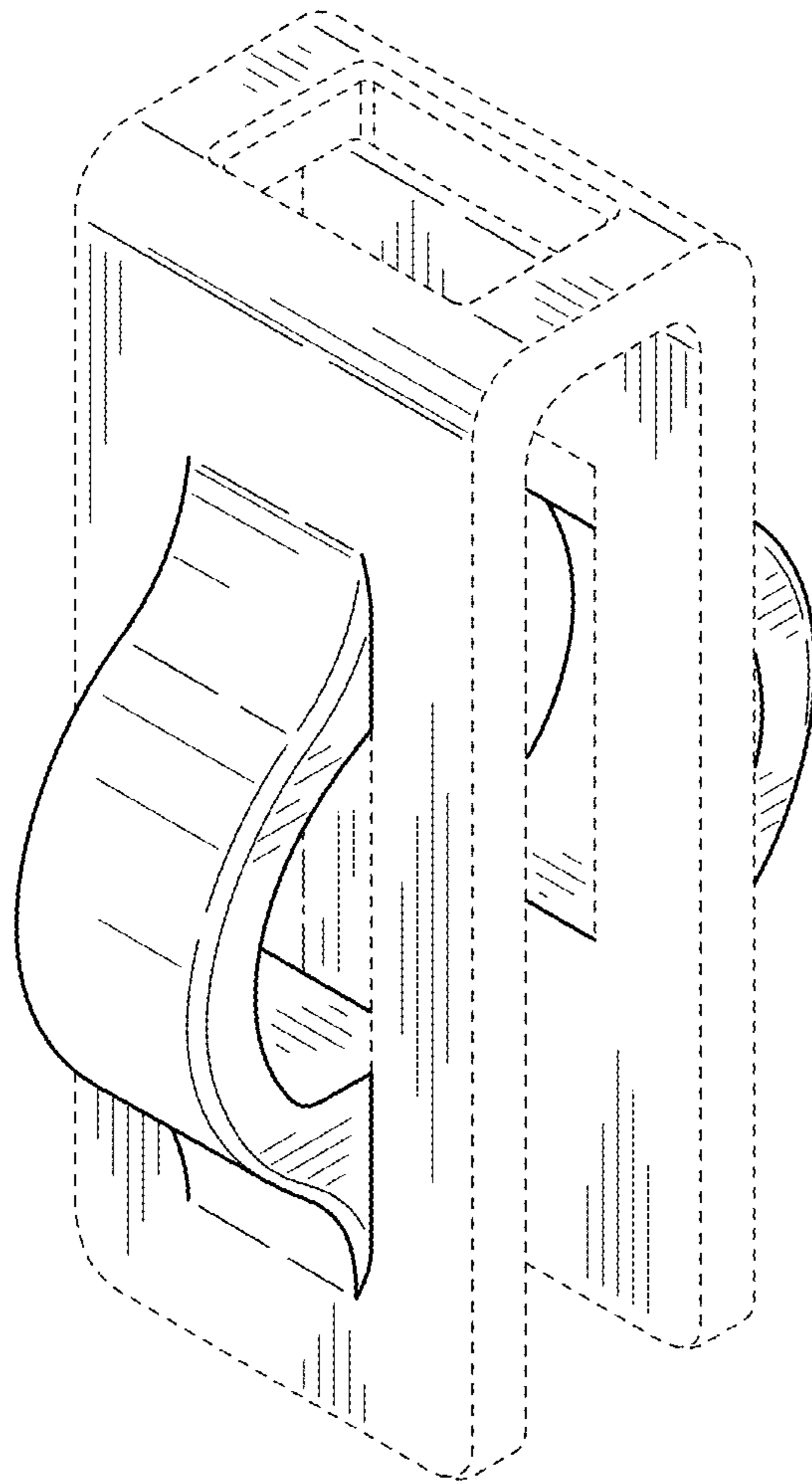


FIG. 1

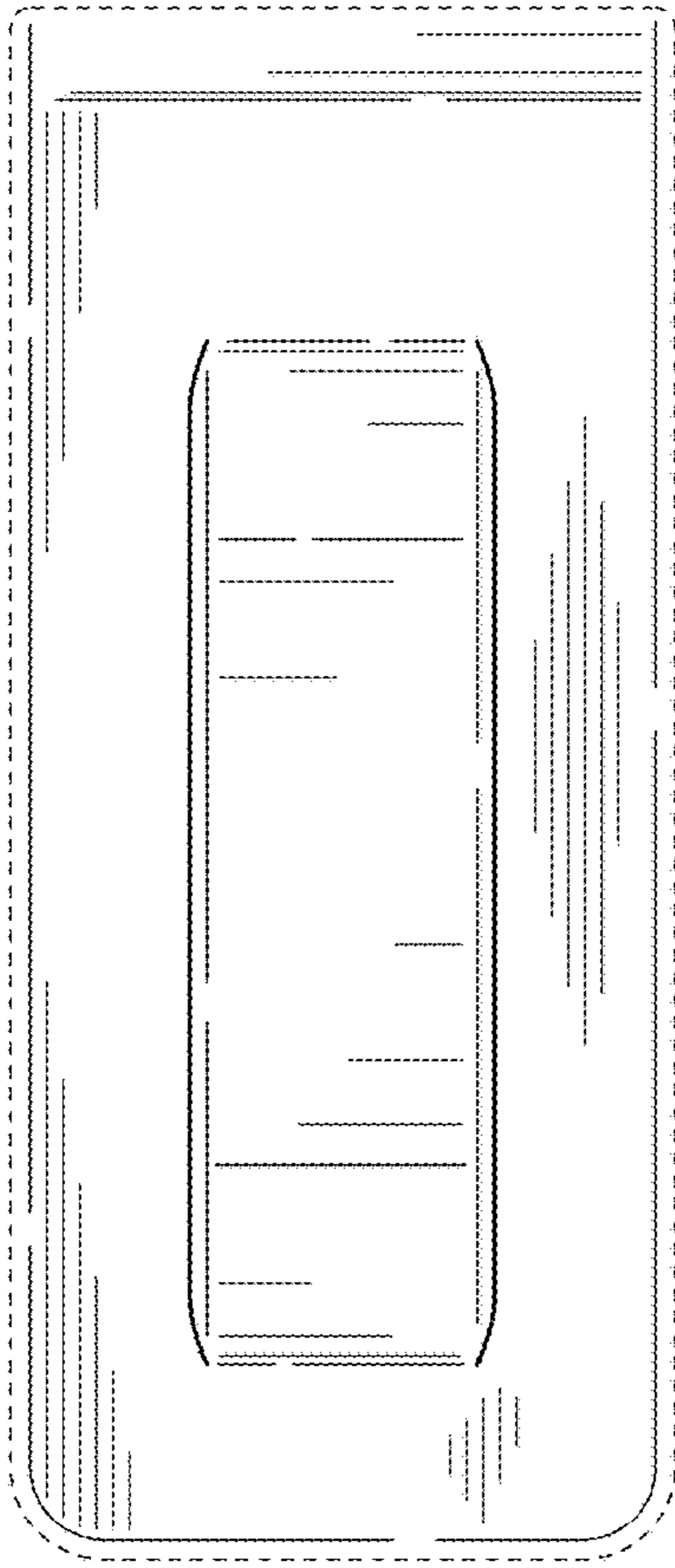


FIG. 2

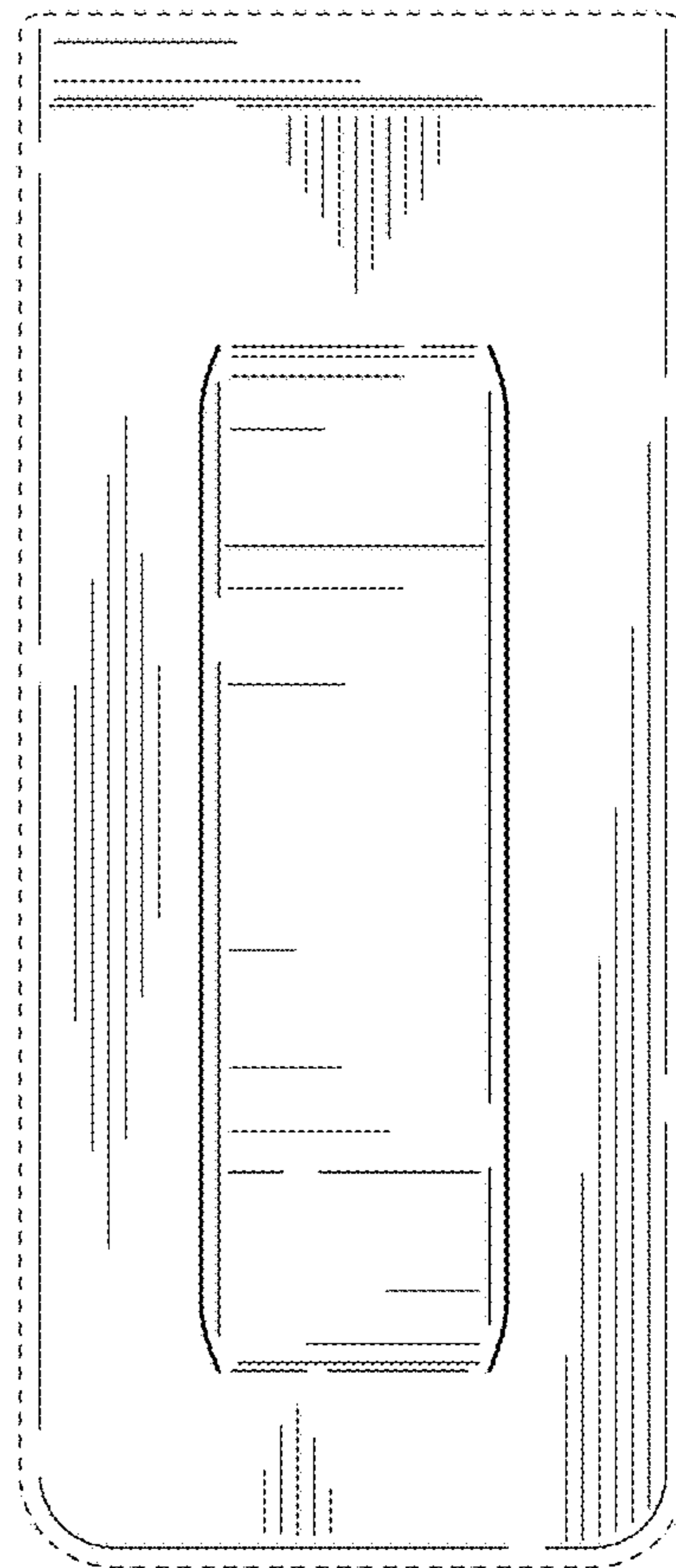


FIG. 3

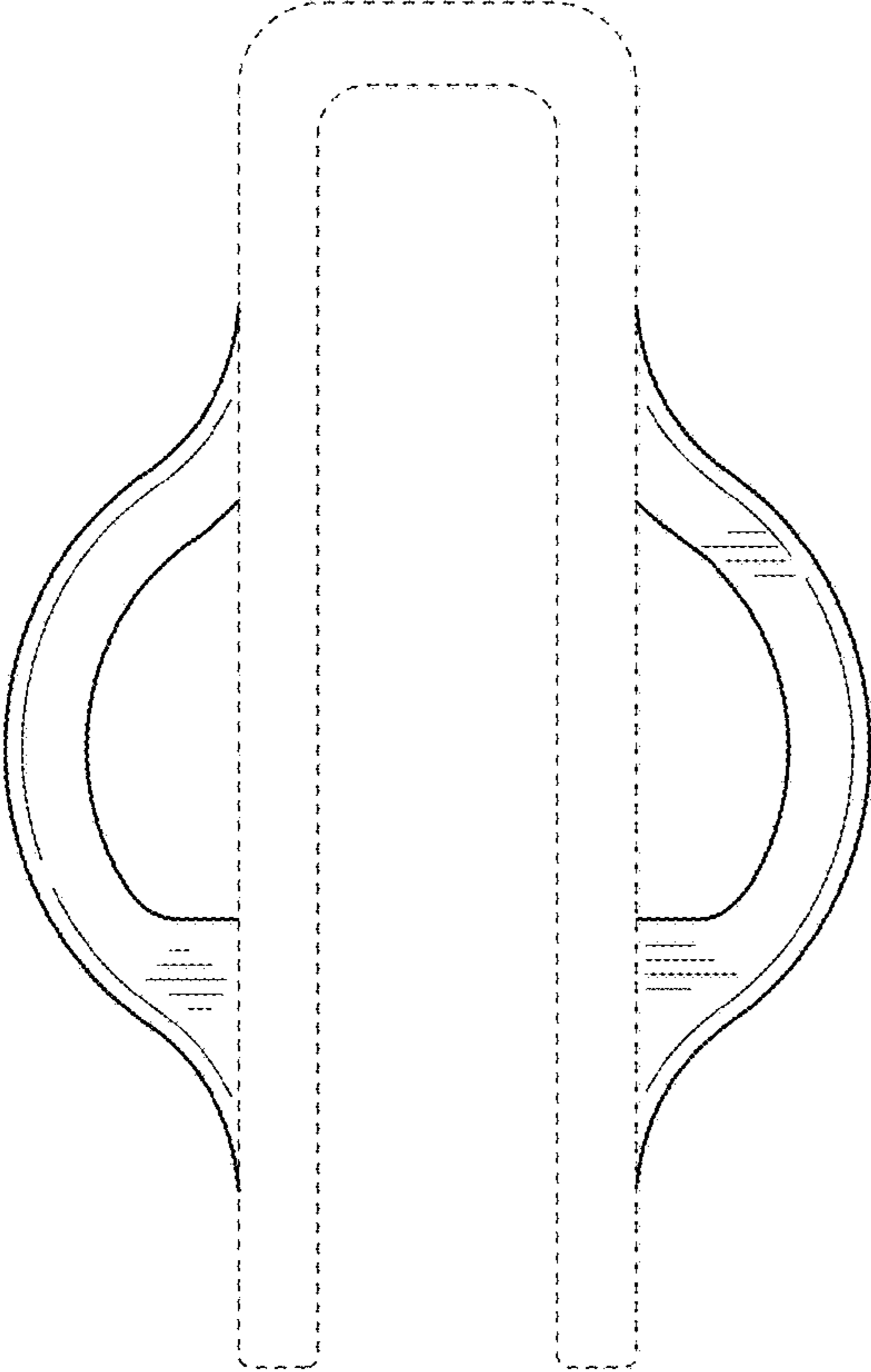


FIG. 4

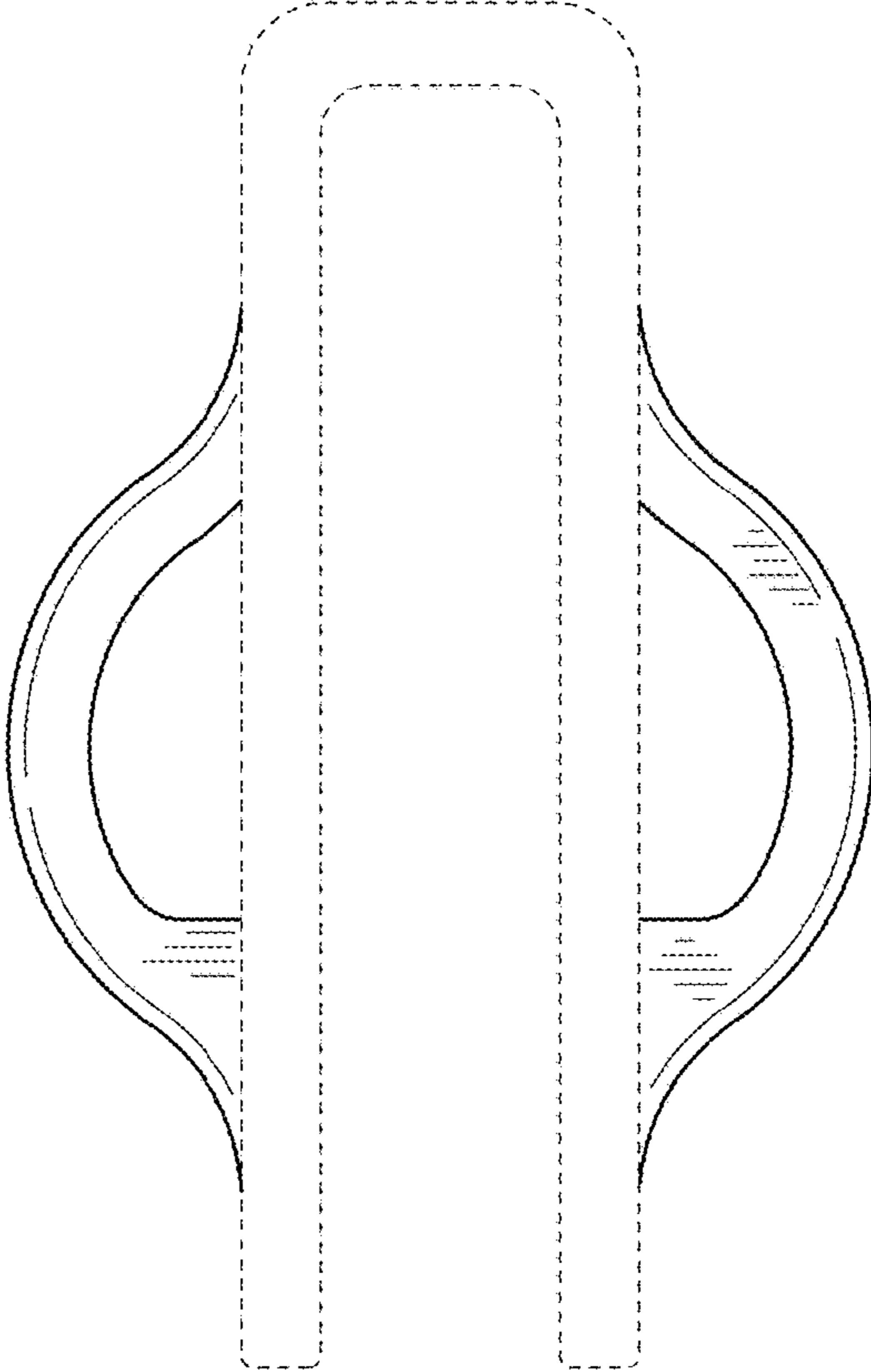


FIG. 5

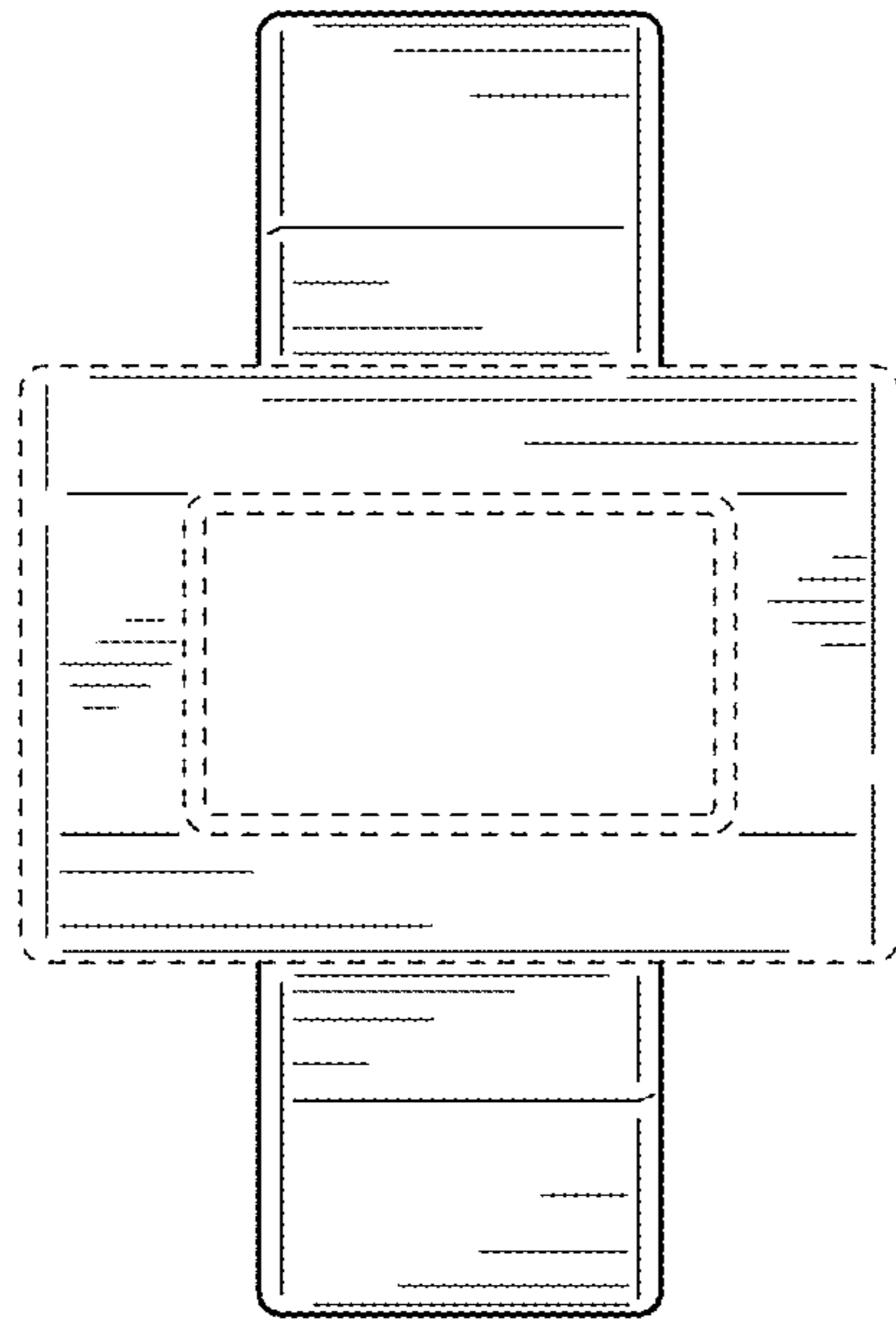


FIG. 6

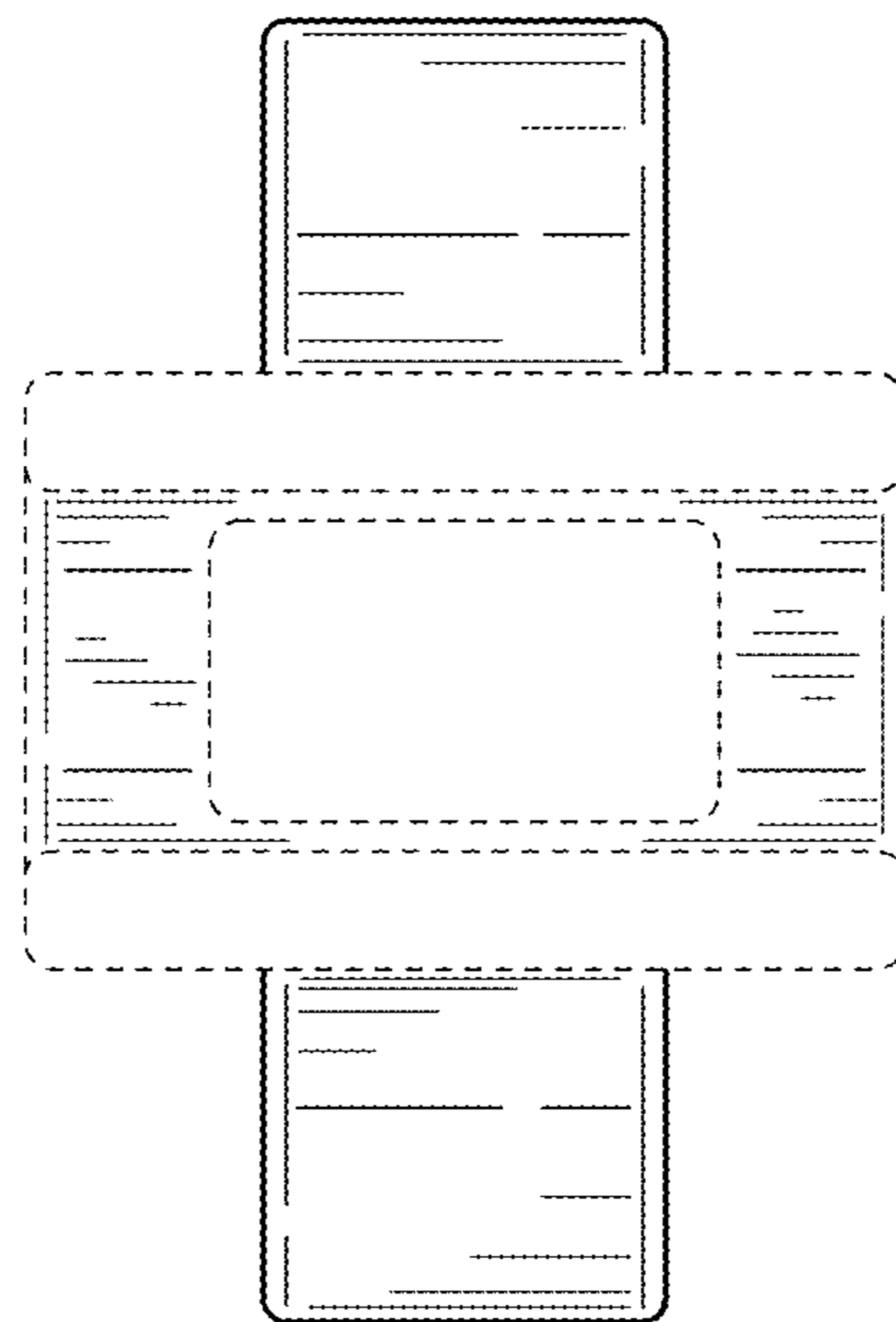


FIG. 7