



US00D774879S

(12) **United States Design Patent** (10) **Patent No.:** **US D774,879 S**  
**Martinson** (45) **Date of Patent:** **\*\* \*Dec. 27, 2016**

(54) **TIE WRAP FOR BUNDLING OBJECTS**

(75) Inventor: **Daniel J. Martinson**, Plymouth, MN (US)

(73) Assignee: **Nite Ize, Inc.**, Boulder, CO (US)

(\* ) Notice: This patent is subject to a terminal disclaimer.

(\*\*) Term: **14 Years**

(21) Appl. No.: **29/415,416**

(22) Filed: **Mar. 9, 2012**

**Related U.S. Application Data**

(63) Continuation-in-part of application No. 13/196,725, filed on Aug. 2, 2011, which is a continuation-in-part of application No. 12/247,523, filed on Oct. 8, 2008, now Pat. No. 8,387,216.

(51) **LOC (10) Cl.** ..... **08-08**

(52) **U.S. Cl.**  
USPC ..... **D8/394; D8/396**

(58) **Field of Classification Search**  
USPC .... D8/356, 383, 394-396; 24/16 PB, 17 AP, 24/30.5 P, 30.5 S, 300-302, 339, DIG. 16; 248/58, 60, 74.3, 71; 70/16; 128/878  
See application file for complete search history.

(56) **References Cited**

**U.S. PATENT DOCUMENTS**

2,118,875 A	5/1938	Windheim	
2,530,695 A	11/1950	Helmert	
2,542,601 A	2/1951	Van Cleef	
3,023,483 A *	3/1962	Steiner	428/394
3,257,054 A	6/1966	Miesel	
3,426,393 A	2/1969	Mead	
3,458,862 A *	7/1969	Franks	343/786
3,543,353 A	12/1970	Meehan	

3,564,667 A	2/1971	Parrick, III et al.	
3,757,429 A	9/1973	Sumino	
3,768,711 A	10/1973	Wilkinson	
3,806,358 A	4/1974	Glander et al.	
3,906,139 A *	9/1975	Hiraoka et al.	428/383
3,947,927 A	4/1976	Rosenthal	
3,960,302 A	6/1976	Mazzoni, Jr.	
4,015,762 A	4/1977	Mendillo	
4,120,437 A	10/1978	Hara	
4,463,885 A	8/1984	Ball et al.	
4,483,470 A	11/1984	Cousins	
4,484,378 A	11/1984	Kimura et al.	
4,488,748 A	12/1984	Burkes	
4,531,661 A	7/1985	Santy	

(Continued)

**OTHER PUBLICATIONS**

Acor, Acor present Volara 4E, Mar. 2, 2008; <http://acor.com/volara.htm>.

(Continued)

*Primary Examiner* — John Windmuller

(74) *Attorney, Agent, or Firm* — Patton Boggs LLP; Carl A. Forest; Robert P. Ziemian

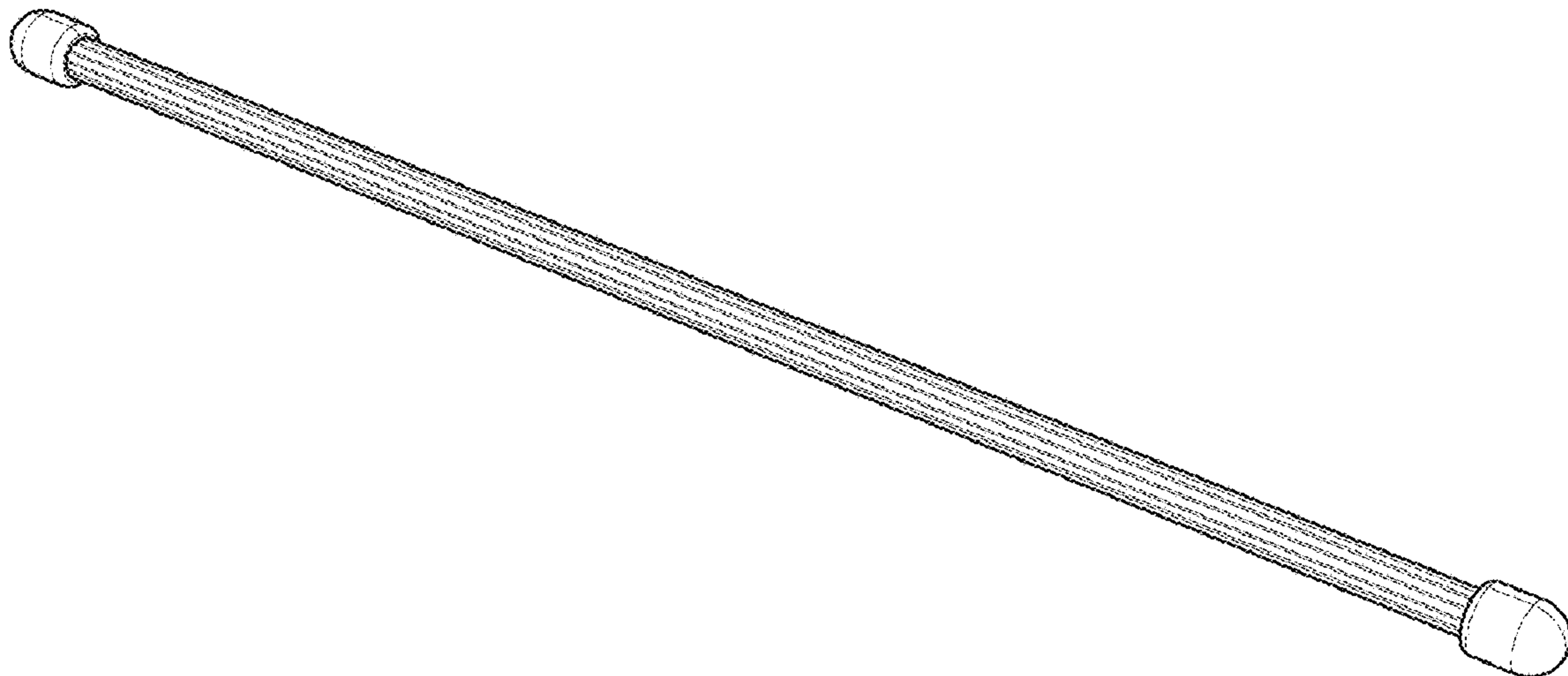
(57) **CLAIM**

The ornamental design for a tie wrap for bundling objects, as shown and described.

**DESCRIPTION**

FIG. 1 is a front perspective view of a tie wrap for bundling objects showing my new design, which is symmetrical with a rear perspective view;  
FIG. 2 is a side view thereof, which is symmetrical with an opposite side view;  
FIG. 3 is an end view thereof, which is symmetrical with an opposite end view; and,  
FIG. 4 is an enlarged partial front perspective view thereof.

**1 Claim, 1 Drawing Sheet**



(56)

References Cited

U.S. PATENT DOCUMENTS

4,540,006 A 9/1985 Collis  
 4,553,779 A 11/1985 Shortridge  
 4,641,454 A 2/1987 Ray et al.  
 4,648,414 A 3/1987 Fox et al.  
 4,666,417 A 5/1987 Hillman  
 4,679,387 A \* 7/1987 Weidenhaupt et al. .... 57/212  
 4,753,355 A 6/1988 Hall et al.  
 4,761,053 A 8/1988 Cogelia et al.  
 4,817,837 A 4/1989 Grover  
 4,834,118 A 5/1989 Goeller  
 4,856,689 A 8/1989 Shore  
 4,867,478 A 9/1989 Anderson  
 4,915,996 A 4/1990 Curry  
 D310,909 S 10/1990 Bradtl  
 5,054,299 A 10/1991 Maveety  
 5,056,820 A 10/1991 Des Prez  
 5,104,017 A 4/1992 Vandagriff  
 5,190,336 A 3/1993 Palz  
 5,199,135 A 4/1993 Gold  
 5,234,370 A 8/1993 Shapero et al.  
 5,310,376 A 5/1994 Mayuzumi et al.  
 5,437,401 A 8/1995 Seltzer  
 5,468,036 A 11/1995 Brown  
 5,498,190 A 3/1996 Ganson  
 5,590,422 A 1/1997 Henderson  
 5,664,589 A 9/1997 Black  
 5,711,143 A \* 1/1998 Munakata et al. .... 57/215  
 5,714,211 A 2/1998 Zinbarg et al.  
 5,769,994 A 6/1998 Booz et al.  
 D399,021 S 9/1998 Lam  
 5,853,212 A 12/1998 Daniel  
 5,916,006 A 6/1999 Ganson  
 D425,226 S 5/2000 Galli  
 6,113,170 A \* 9/2000 Daniel ..... 294/147  
 6,114,036 A 9/2000 Rinehart et al.  
 6,206,542 B1 3/2001 Case et al.  
 6,237,740 B1 5/2001 Weatherall et al.

6,332,052 B1 12/2001 Luther et al.  
 6,372,344 B1 4/2002 Castellani et al.  
 D465,292 S \* 11/2002 Ko ..... D26/4  
 6,527,482 B1 \* 3/2003 Stankus ..... 405/259.5  
 6,848,663 B2 \* 2/2005 Olive ..... 248/317  
 7,011,879 B1 3/2006 Contreras et al.  
 D520,526 S \* 5/2006 Wuest et al. .... D15/28  
 7,123,801 B2 10/2006 Fitz  
 7,192,069 B1 \* 3/2007 Daniel ..... 294/147  
 7,250,213 B2 \* 7/2007 Duncan ..... 428/379  
 7,357,540 B2 4/2008 Booty, Jr.  
 7,377,828 B2 5/2008 Cheung  
 D588,735 S 3/2009 Woodard  
 D592,341 S 5/2009 Fan  
 7,571,837 B2 \* 8/2009 Orłowski ..... 222/386  
 D600,852 S 9/2009 Clepper et al.  
 D609,853 S 2/2010 Salatto-Rose  
 D622,429 S 8/2010 Jones  
 8,033,678 B2 10/2011 Patterson  
 2002/0028336 A1 3/2002 Jaccoud  
 2002/0118535 A1 8/2002 Nostrant  
 2005/0093205 A1 5/2005 Martin et al.  
 2005/0211357 A1 9/2005 Ren  
 2005/0274211 A1 12/2005 Edgman  
 2008/0124544 A1 5/2008 Alexander et al.  
 2008/0254281 A1 10/2008 Chen et al.  
 2009/0000086 A1 1/2009 Bing  
 2009/0095854 A1 4/2009 Forbes et al.  
 2009/0140016 A1 6/2009 Case et al.

OTHER PUBLICATIONS

International Search Report dated Dec. 9, 2011, in related PCT Application No. PCT/US2011/046304, 3 pages.  
 Web page illustration from web site illustrating Grip Twist lock and carry device; griptwist.com; Dakota Trading corporation, 2008.  
 Web page illustration from web site illustrating reusable silicone coated Sili Twists; www.wrapables.com; Wrapables, 2008.

\* cited by examiner

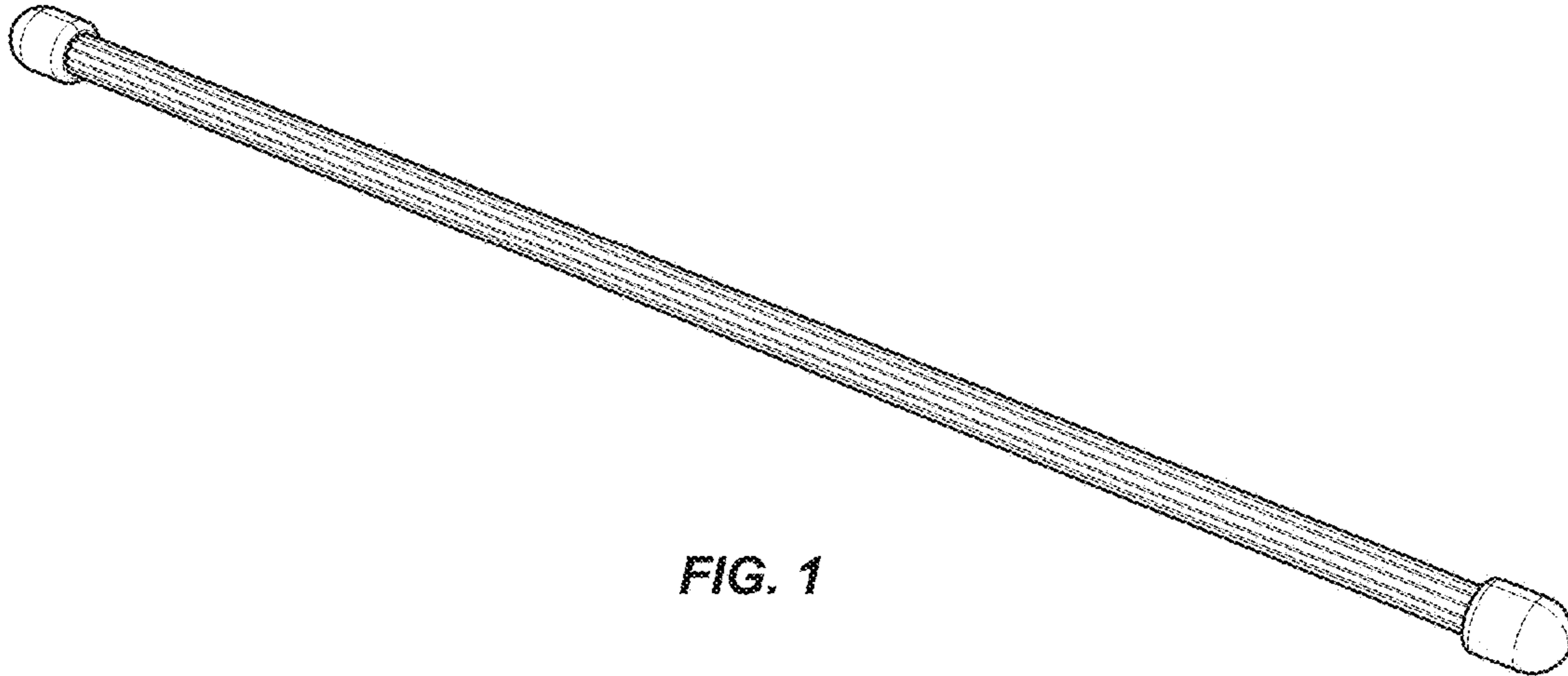


FIG. 1

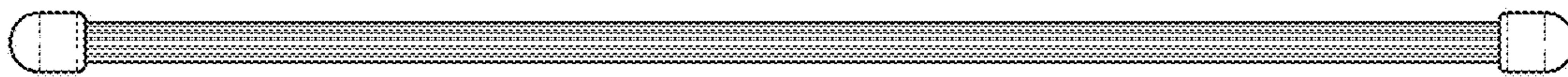


FIG. 2

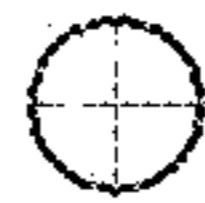


FIG. 3

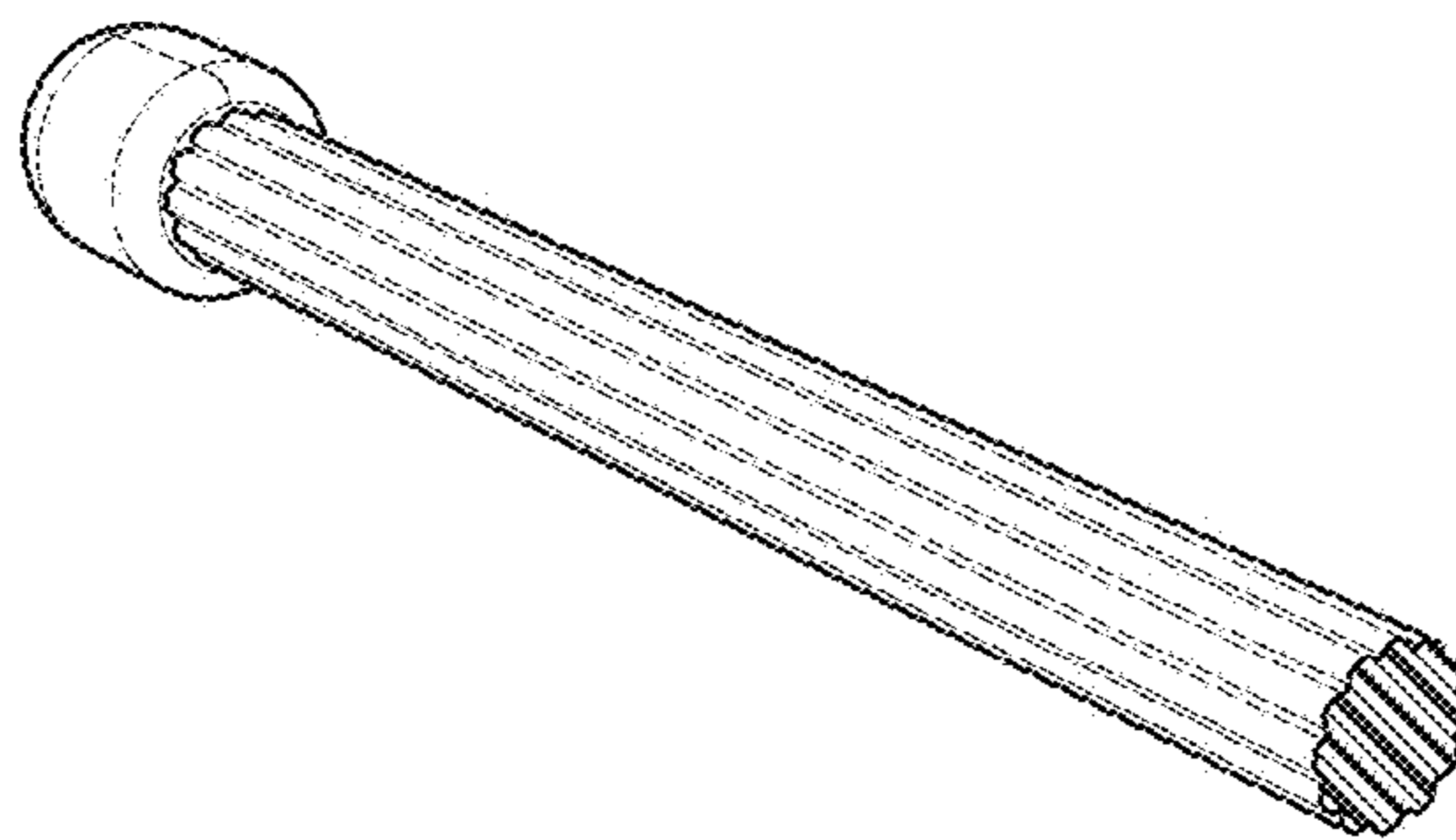


FIG. 4