



US00D774877S

(12) **United States Design Patent**
Gonzalez et al.

(10) **Patent No.:** **US D774,877 S**
(45) **Date of Patent:** **** Dec. 27, 2016**

- (54) **GROMMET FOR MOPPING CLOTH**
- (71) Applicants: **Ricardo Gonzalez**, Miami, FL (US);
Raul Chavez, Miami, FL (US)
- (72) Inventors: **Ricardo Gonzalez**, Miami, FL (US);
Raul Chavez, Miami, FL (US)
- (73) Assignee: **R&R International Group, Inc.**,
Miami, FL (US)
- (**) Term: **15 Years**
- (21) Appl. No.: **29/528,852**
- (22) Filed: **Jun. 1, 2015**
- (51) **LOC (10) Cl.** **08-05**
- (52) **U.S. Cl.**
USPC **D8/356**
- (58) **Field of Classification Search**
USPC D8/354, 349, 356, 367, 1, 360, 358, 359;
D34/35; D6/358, 309; D25/131, 133;
182/2, 3
CPC F16B 45/02; F16B 47/00; B66C 1/125;
B66C 1/36; A62B 35/0037; A62B 35/04;
A62B 35/0068; B65H 75/40
See application file for complete search history.

- 3,635,622 A * 1/1972 Wechsler B29C 43/02
408/151
- 4,532,095 A * 7/1985 McNeely B29B 11/14
264/107
- 4,797,111 A * 1/1989 Ackmann H01R 11/01
439/755
- 4,968,010 A * 11/1990 Odobasic B60G 11/48
267/140.11
- 5,413,502 A * 5/1995 Wang H01R 24/46
439/314
- 5,922,993 A * 7/1999 Ide H01R 43/0228
174/84 R
- D423,621 S * 4/2000 Holtby D21/791
- 7,077,693 B1 * 7/2006 Symons H01R 13/72
191/12.4
- D542,123 S * 5/2007 Symons D8/356
- D563,206 S * 3/2008 Bakker D8/356

(Continued)

Primary Examiner — Cynthia Underwood

(74) *Attorney, Agent, or Firm* — Espinosa Trueba
Martinez, PL; William R. Trueba, Jr.; Roberto M. Suarez

(57) **CLAIM**

The ornamental design for a grommet for a mopping cloth,
as shown and described.

DESCRIPTION

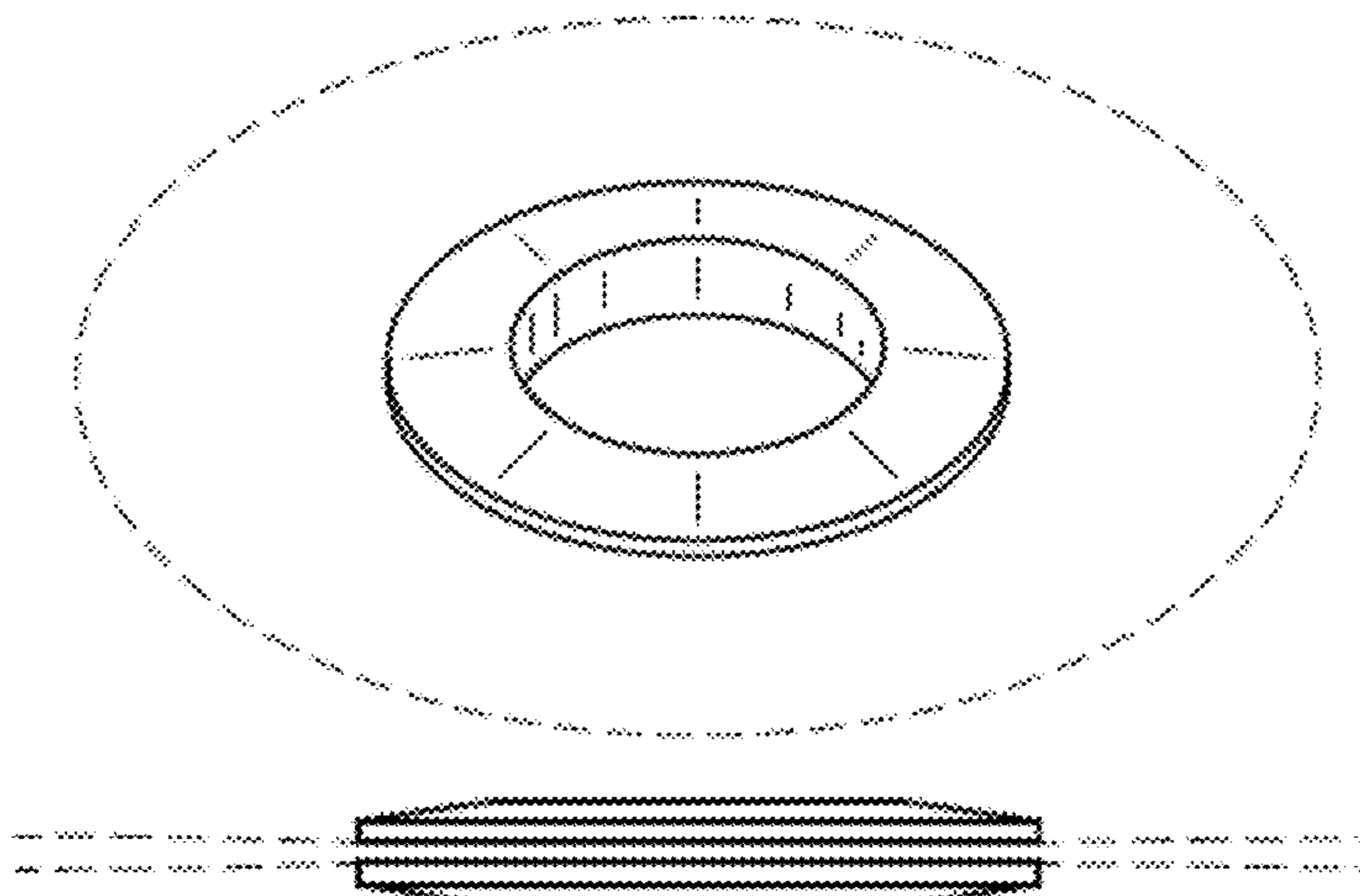
FIG. 1 is a top perspective view of a grommet for a mopping cloth our new design with the mop cloth area illustrated in broken lines;
FIG. 2 is a top elevational view thereof;
FIG. 3 is a side elevational view thereof;
FIG. 4 is a close-up top perspective view view thereof;
FIG. 5 is a close-up top elevational view thereof; and,
FIG. 6 is a close-up side elevational thereof.
The broken lines in FIGS. 1 through 6 are to illustrate an exemplary mopping cloth that forms no part of the claimed design.

1 Claim, 6 Drawing Sheets

(56) **References Cited**

U.S. PATENT DOCUMENTS

- 676,799 A * 6/1901 McLoughlin 206/526
- 1,342,001 A * 6/1920 Schulte H01M 2/30
429/121
- 2,212,766 A * 8/1940 Andelenis A63B 67/06
473/588
- 2,350,475 A * 6/1944 Rabazzana H01T 13/34
174/152 S
- 2,603,429 A * 7/1952 Jaworowski A01K 89/08
242/224
- 3,622,427 A * 11/1971 Kelly G01M 3/3209
277/651



(56)

References Cited

U.S. PATENT DOCUMENTS

7,374,405	B2 *	5/2008	Wobben	B65D 85/68 416/244 R
7,399,199	B2 *	7/2008	Symons	H01R 13/72 439/242
7,614,611	B1 *	11/2009	Walton	F16H 55/36 254/393
D621,240	S *	8/2010	Lutter	D8/356
D631,730	S *	2/2011	Skillman	D8/356
D654,348	S *	2/2012	Musselman	D8/349
D735,020	S *	7/2015	Bradford	D8/356
D748,455	S *	2/2016	Symons	D8/356
9,346,655	B2 *	5/2016	Von Lutterotti	B66C 1/12
2002/0131749	A1 *	9/2002	Swenson	G02B 6/4453 385/135
2002/0145073	A1 *	10/2002	Swanson	A61F 15/002 242/588.3
2003/0122023	A1 *	7/2003	Pitcher	B65H 75/143 242/388.1
2003/0168871	A1 *	9/2003	Geis	B66C 1/663 294/81.21
2004/0178398	A1 *	9/2004	Miller	F16H 55/44 254/390
2011/0036676	A1 *	2/2011	Skillman	B65H 75/143 191/12.4

* cited by examiner

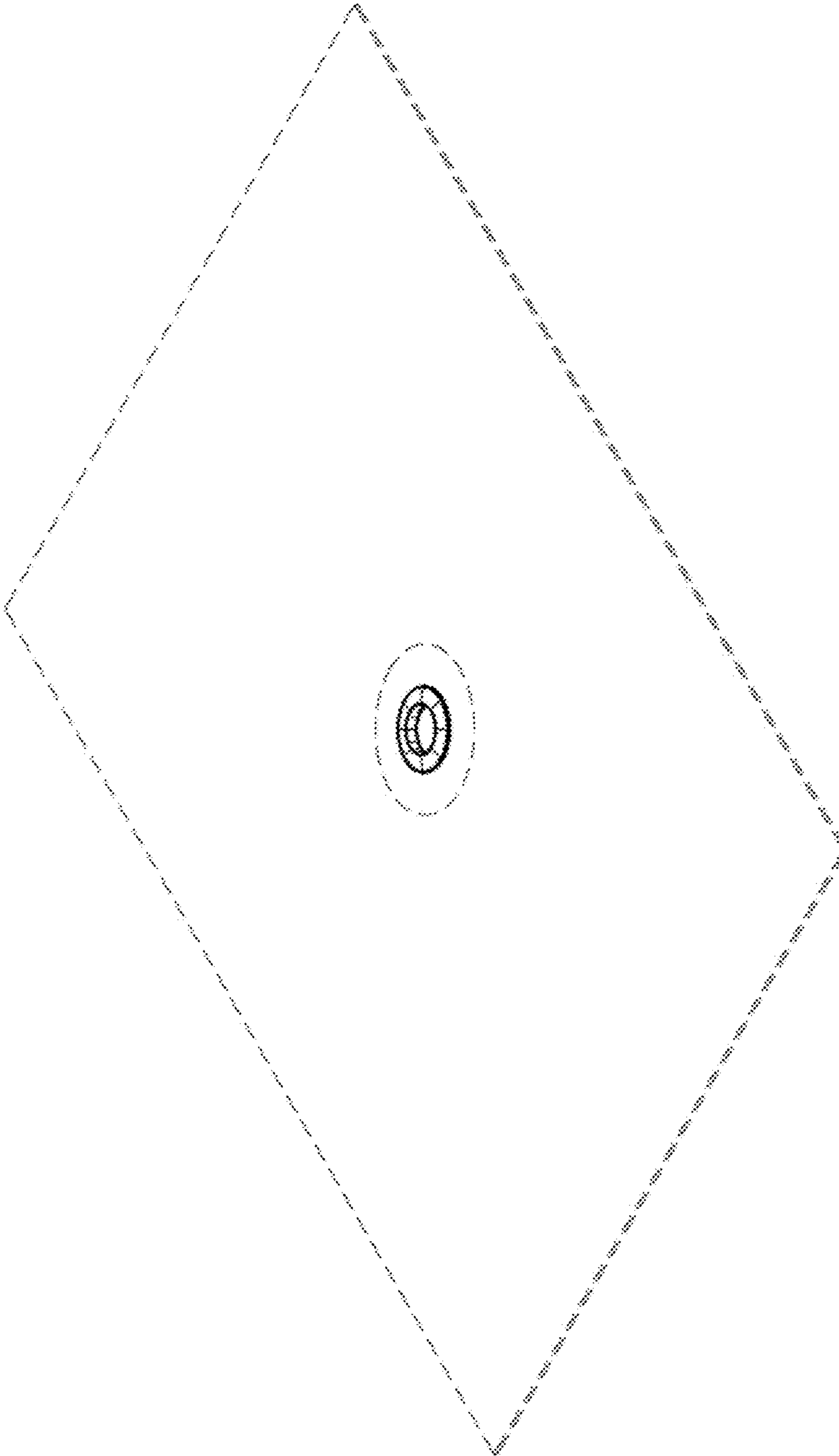


FIG. 1

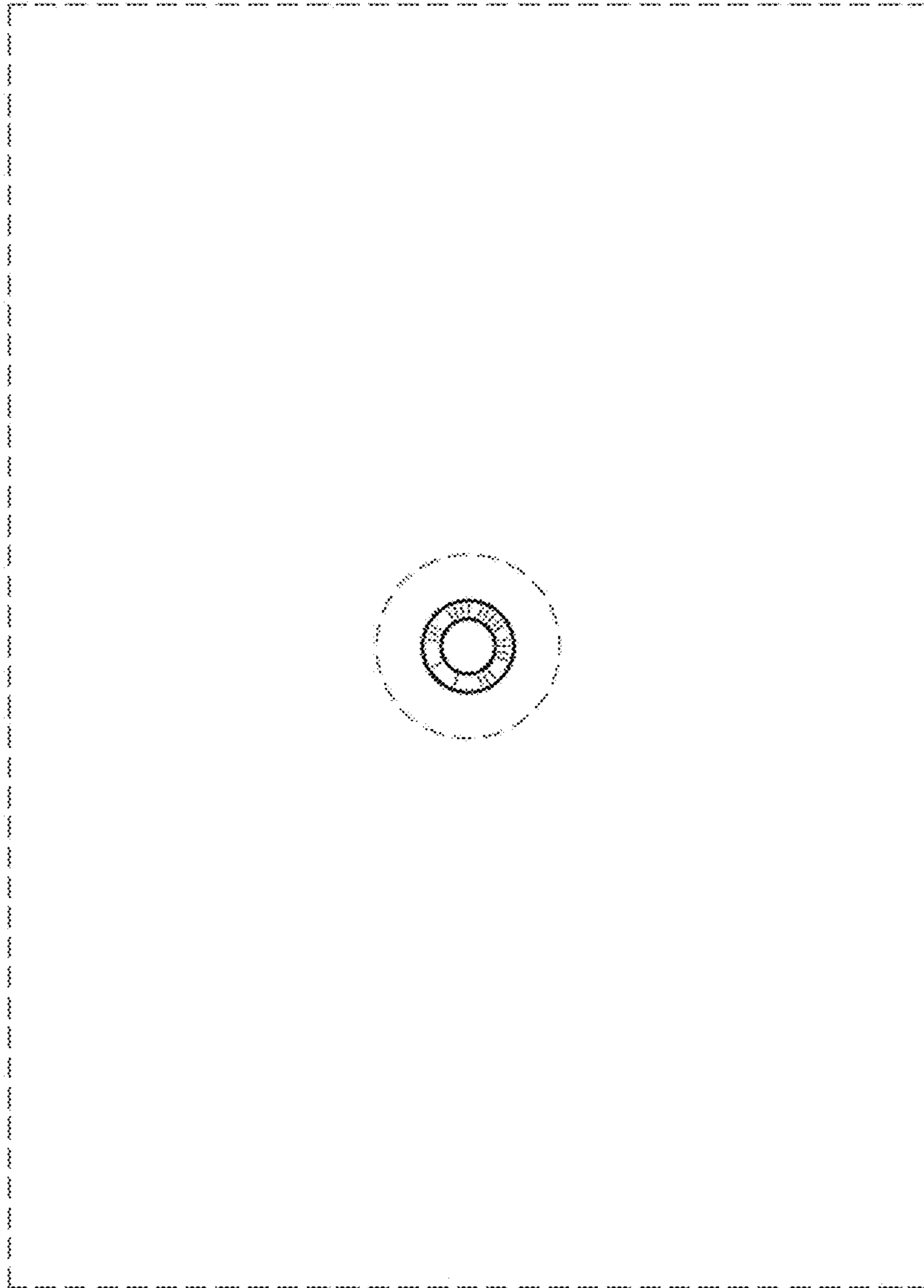


FIG. 2

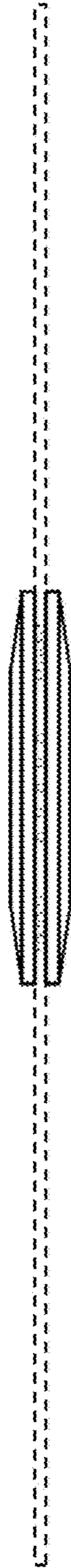


FIG. 3

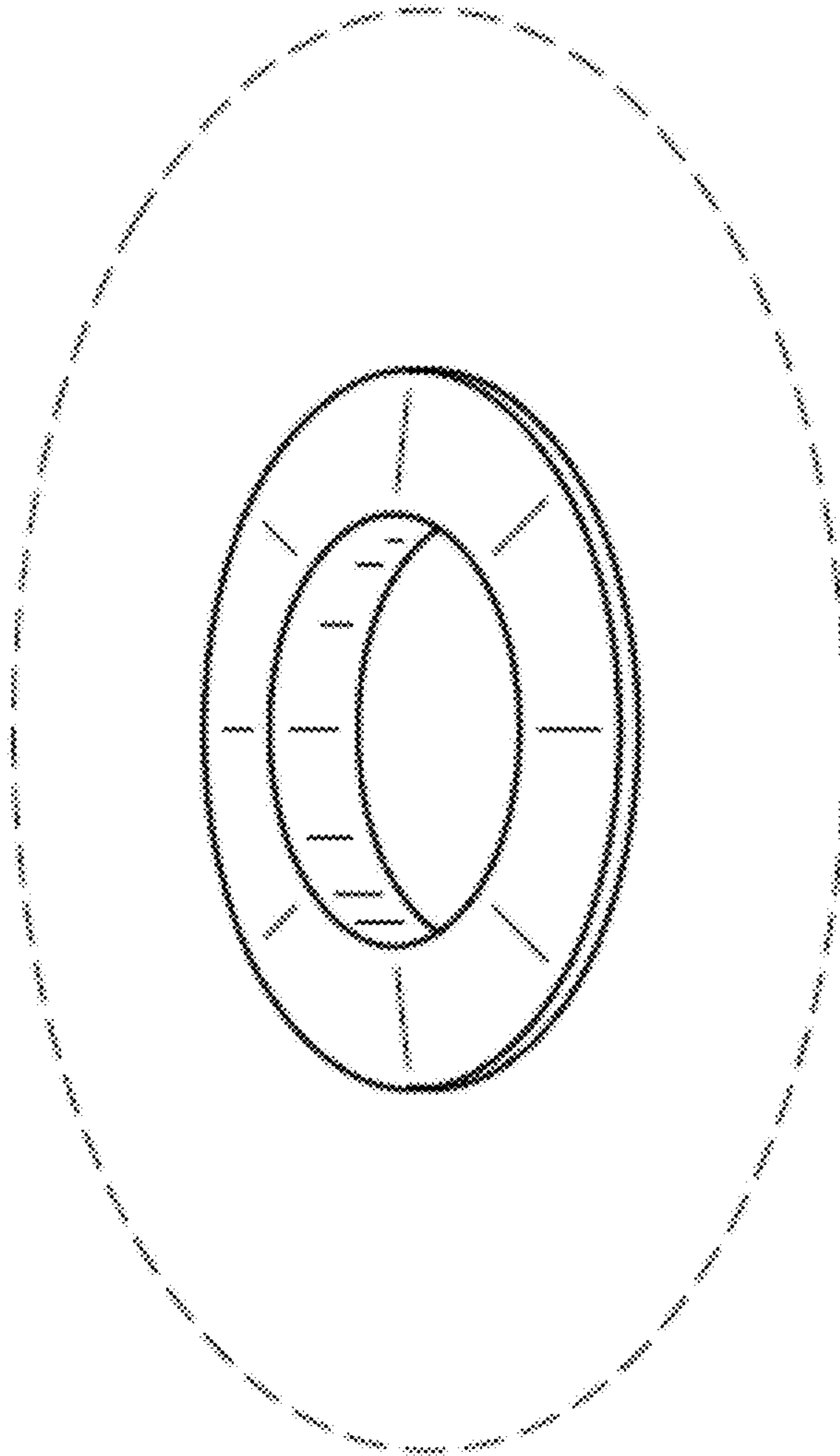


FIG. 4

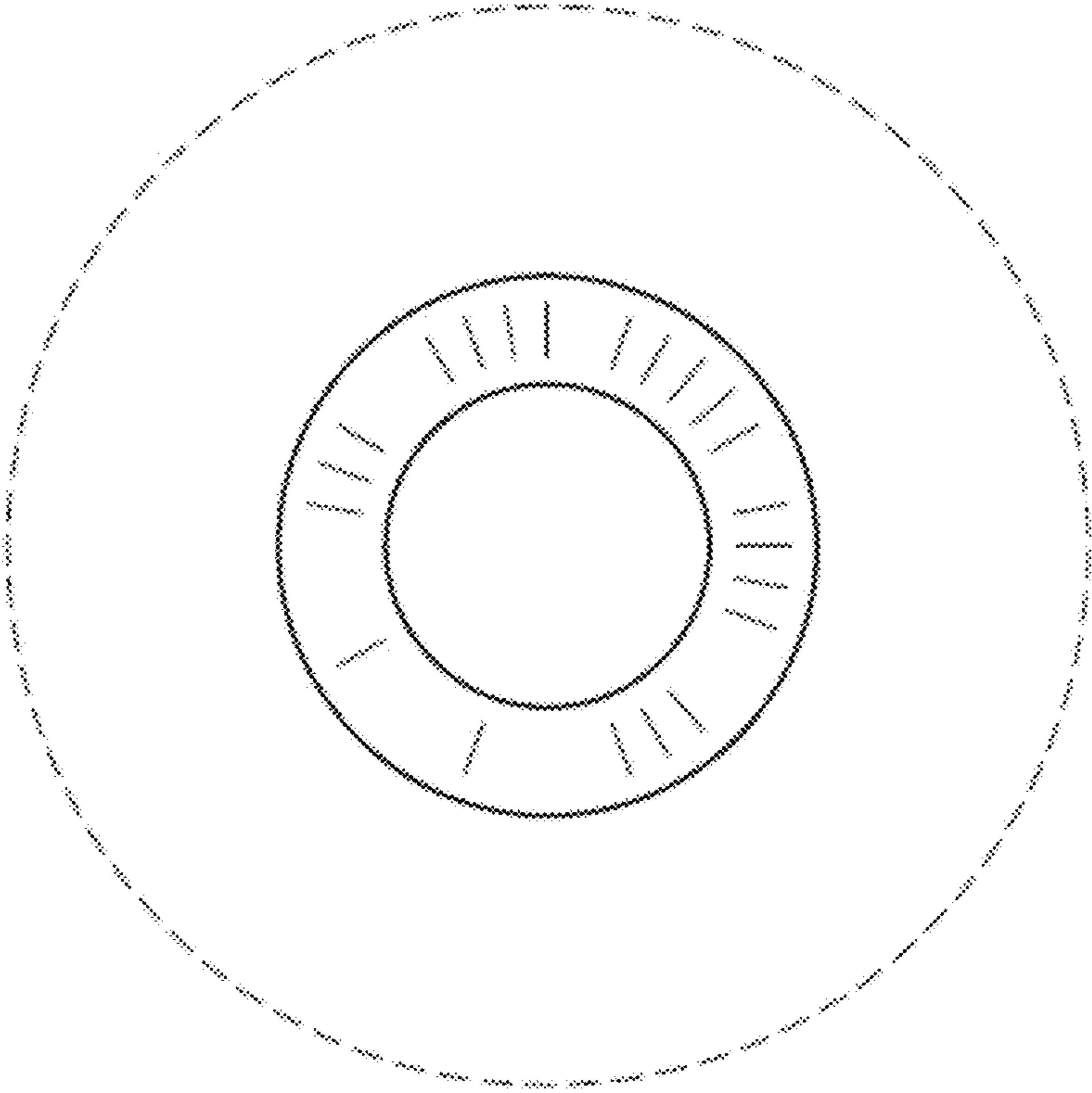


FIG. 5

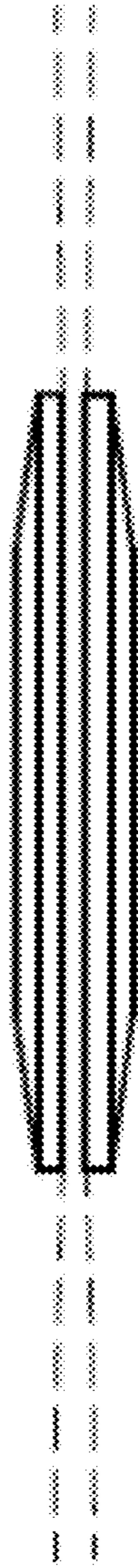


FIG. 6