



US00D774874S

(12) **United States Design Patent** (10) **Patent No.:** **US D774,874 S**
Wentzel et al. (45) **Date of Patent:** **** Dec. 27, 2016**

(54) **SOLAR PANEL MOUNTING BRACKET**

(71) Applicant: **KB Racking Inc.**, Toronto (CA)

(72) Inventors: **Christian Wentzel**, St. James (BB);
Peter Aulich, Toronto (CA)

(73) Assignee: **KB Racking, Inc.**, Ontario (CA)

(**) Term: **14 Years**

(21) Appl. No.: **29/526,031**

(22) Filed: **May 5, 2015**

(30) **Foreign Application Priority Data**

Mar. 4, 2015 (CA) 161373

(51) **LOC (10) Cl.** **08-08**

(52) **U.S. Cl.**
USPC **D8/349**

(58) **Field of Classification Search**
USPC D8/330, 349, 354, 363, 364, 371-373,
D8/380-382, 384, 400, 499; D13/102
CPC A47F 5/08; B60G 2204/41043; B60G
2204/4307; E06C 7/083; F21S
8/043; F24D 19/0209; H04N 2201/02485;
Y10T 16/19; Y10T 16/373
See application file for complete search history.

(56) **References Cited**

U.S. PATENT DOCUMENTS

- D30,630 S * 4/1899 Caldwell D25/119
- 3,953,015 A * 4/1976 Taylor E04F 21/185
248/317
- D274,803 S * 7/1984 Hughes D12/126
- D306,964 S * 4/1990 Zupancic D8/354
- D376,972 S * 12/1996 Zissu D8/354
- D409,077 S * 5/1999 Brooks D8/354
- D482,261 S * 11/2003 Kobayashi D8/349
- D550,541 S * 9/2007 Blanchard D8/354
- D566,825 S * 4/2008 Lucero D23/386
- D574,222 S * 8/2008 Golias, Jr. D34/38
- D611,887 S * 3/2010 Peschmann D12/223
- D689,760 S * 9/2013 Chen D8/354

- D699,176 S * 2/2014 Salomon D13/102
- D730,719 S * 6/2015 Sundberg D8/354
- D732,373 S * 6/2015 Wagner D8/349
- D747,177 S * 1/2016 McGinty D8/349
- D747,953 S * 1/2016 Thompson D8/349
- D752,954 S * 4/2016 Lax D8/354
- D753,638 S * 4/2016 Tatem D14/239
- D763,062 S * 8/2016 Tatem D14/239
- 2009/0321595 A1* 12/2009 Conway G09F 3/204
248/205.3

* cited by examiner

Primary Examiner — Mark Goodwin

(74) *Attorney, Agent, or Firm* — Lewis Rice LLC

(57) **CLAIM**

The ornamental design for a solar panel mounting bracket, as shown and described.

DESCRIPTION

FIG. 1 provides a perspective view from the front and right side of a solar panel mounting bracket.

FIG. 2 provides a perspective view from the front and left side of the solar panel mounting bracket of FIG. 1.

FIG. 3 provides a perspective view from the rear and left side of the solar panel mounting bracket of FIG. 1.

FIG. 4 provides a perspective view from the bottom and right side of the solar panel mounting bracket of FIG. 1.

FIG. 5 provides a side elevational view of the solar panel mounting bracket of FIG. 1.

FIG. 6 provides a top plan view of the solar panel mounting bracket of FIG. 1.

FIG. 7 provides a front elevational view of the solar panel mounting bracket of FIG. 1.

FIG. 8 provides a rear elevational view of the solar panel mounting bracket of FIG. 1.

FIG. 9 provides a perspective view from the front and right side of a variant of the solar panel mounting bracket of FIG. 1.

FIG. 10 provides a perspective view from the front and left side of the variant solar panel mounting bracket of FIG. 9.

FIG. 11 provides a perspective view from the rear and left side of the variant solar panel mounting bracket of FIG. 9.

(Continued)

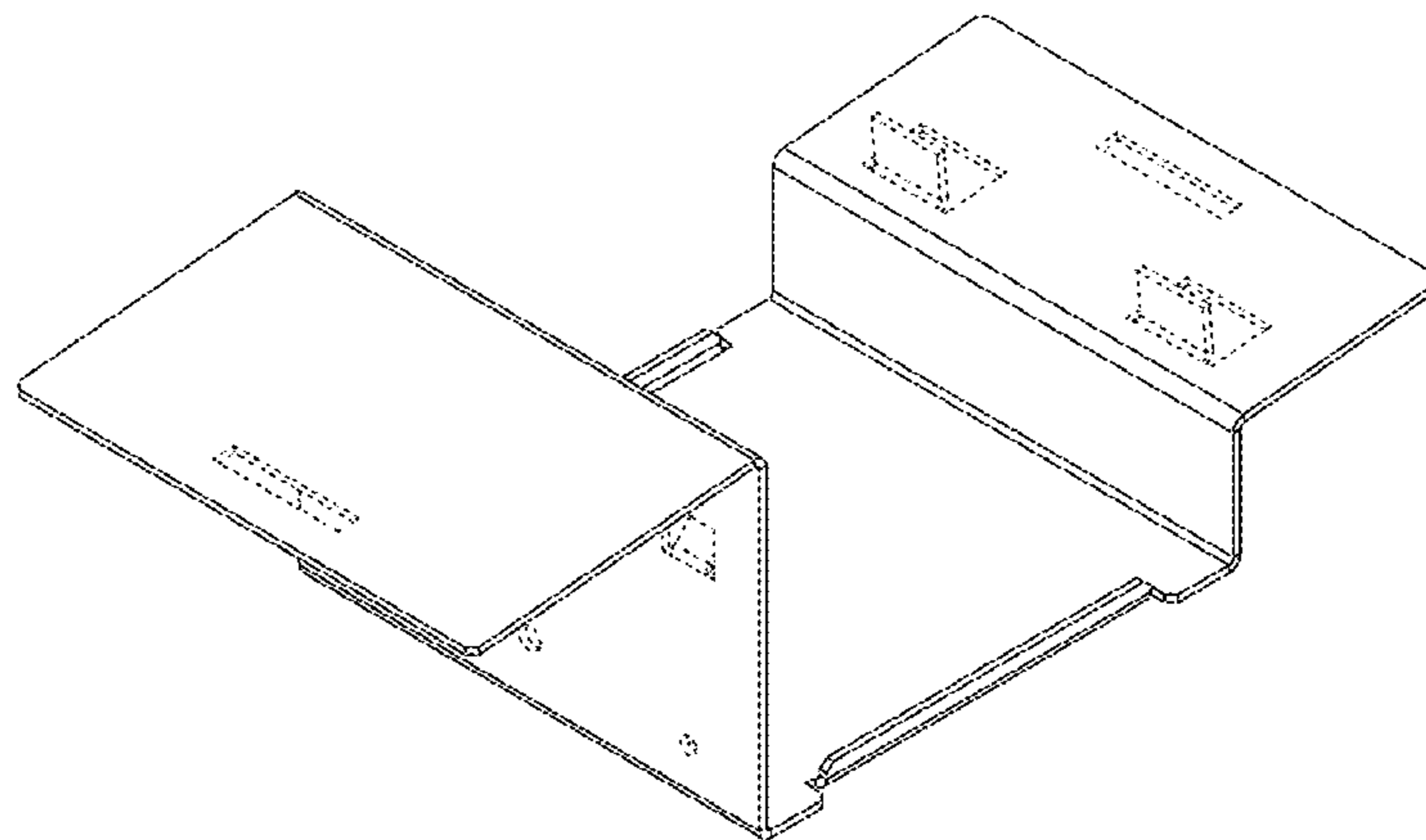


FIG. 12 provides a perspective view from the bottom and right side of the variant solar panel mounting bracket of FIG. 9.

FIG. 13 provides a side elevational view of the variant solar panel mounting bracket of FIG. 9.

FIG. 14 provides a top plan view of the variant solar panel mounting bracket of FIG. 9.

FIG. 15 provides a front elevational view of the variant solar panel mounting bracket of FIG. 9.

FIG. 16 provides a rear elevational view of the variant solar panel mounting bracket of FIG. 9.

FIG. 17 provides a perspective view from the front and right side of another variant of the solar panel mounting bracket of FIG. 1.

FIG. 18 provides a perspective view from the front and left side of the variant solar panel mounting bracket of FIG. 17.

FIG. 19 provides a perspective view from the rear and left side of the variant solar panel mounting bracket of FIG. 17.

FIG. 20 provides a perspective view from the bottom and right side of the variant solar panel mounting bracket of FIG. 17.

FIG. 21 provides a side elevational view of the variant solar panel mounting bracket of FIG. 17.

FIG. 22 provides a top plan view of the variant solar panel mounting bracket of FIG. 17.

FIG. 23 provides a front elevational view of the variant solar panel mounting bracket of FIG. 17.

FIG. 24 provides a rear elevational view of variant solar panel mounting bracket of FIG. 17.

FIG. 25 provides a perspective view from the front and right side of a variant of the solar panel mounting bracket of FIG. 1.

FIG. 26 provides a perspective view from the front and left side of the variant solar panel mounting bracket of FIG. 25.

FIG. 27 provides a perspective view from the rear and left side of the variant solar panel mounting bracket of FIG. 25.

FIG. 28 provides a perspective view from the bottom and right side of the variant solar panel mounting bracket of FIG. 25.

FIG. 29 provides a side elevational view of the variant solar panel mounting bracket of FIG. 25.

FIG. 30 provides a top plan view of the variant solar panel mounting bracket of FIG. 25.

FIG. 31 provides a front elevational view of the variant solar panel mounting bracket of FIG. 25; and,

FIG. 32 provides a rear elevational view of the variant solar panel mounting bracket of FIG. 25.

The broken line showing of multiple surface openings is included for the purpose of illustrating portions of the solar panel mounting bracket and forms no part of the claimed design.

1 Claim, 32 Drawing Sheets

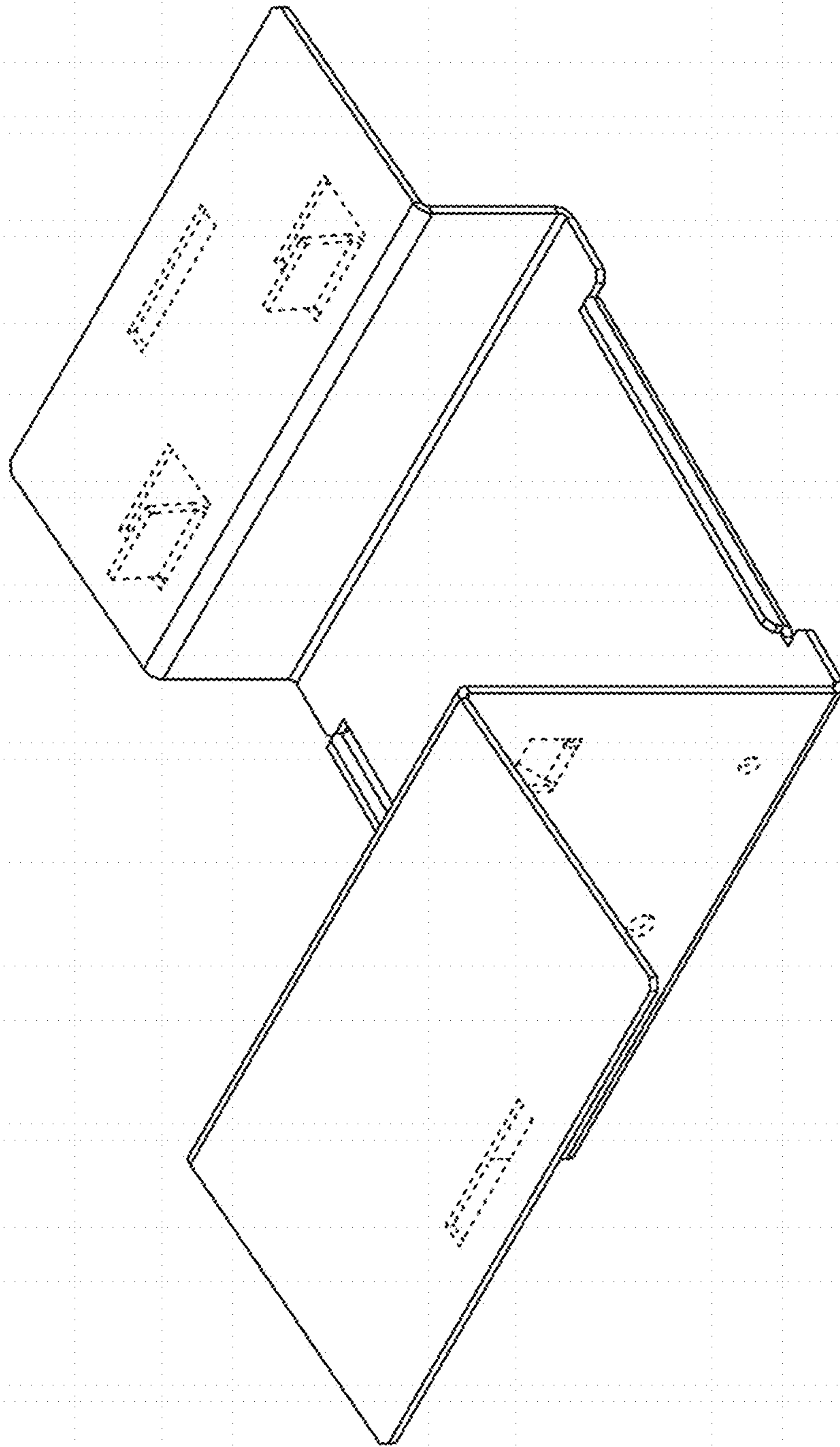


FIG. 1

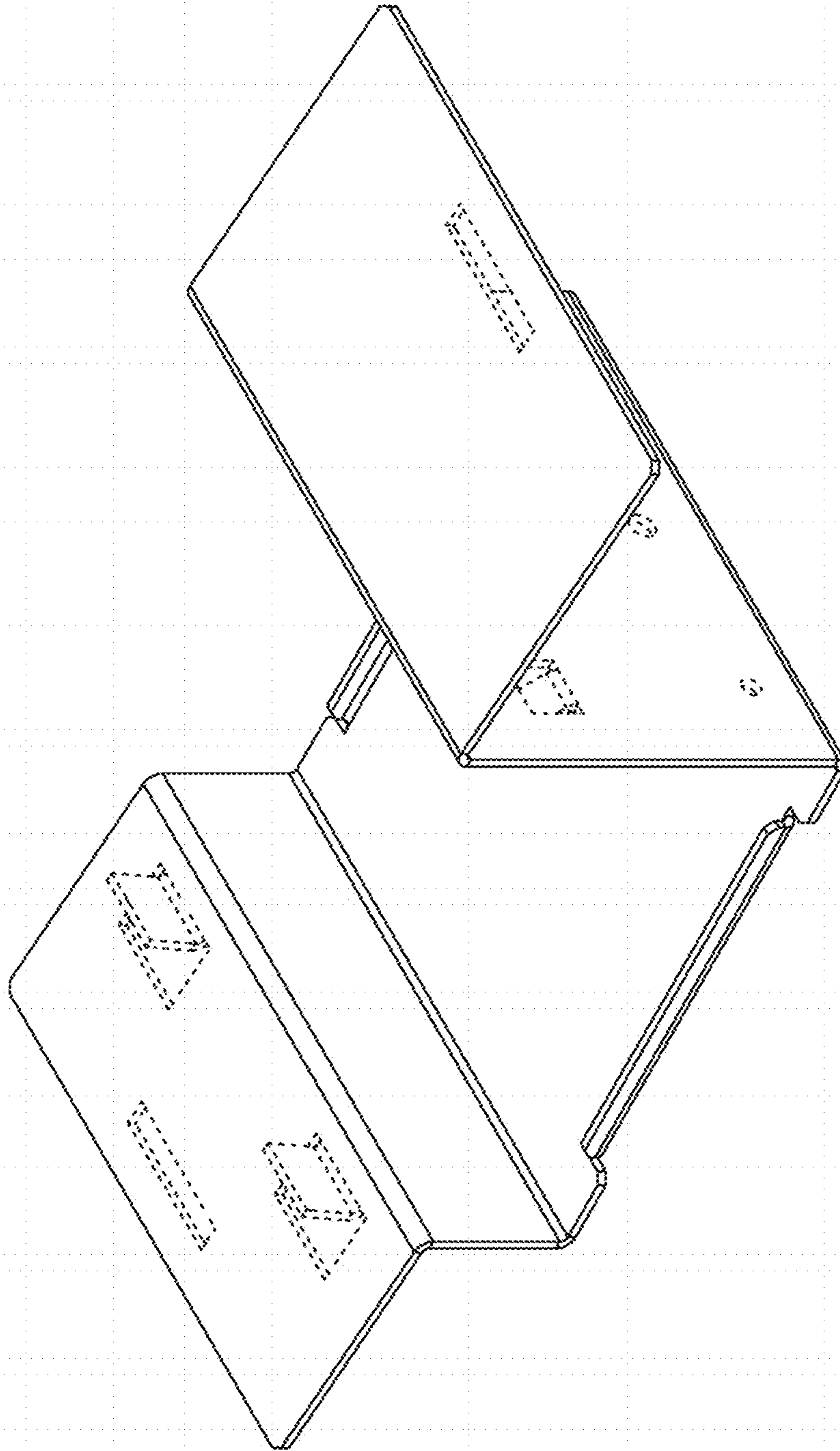


FIG. 2

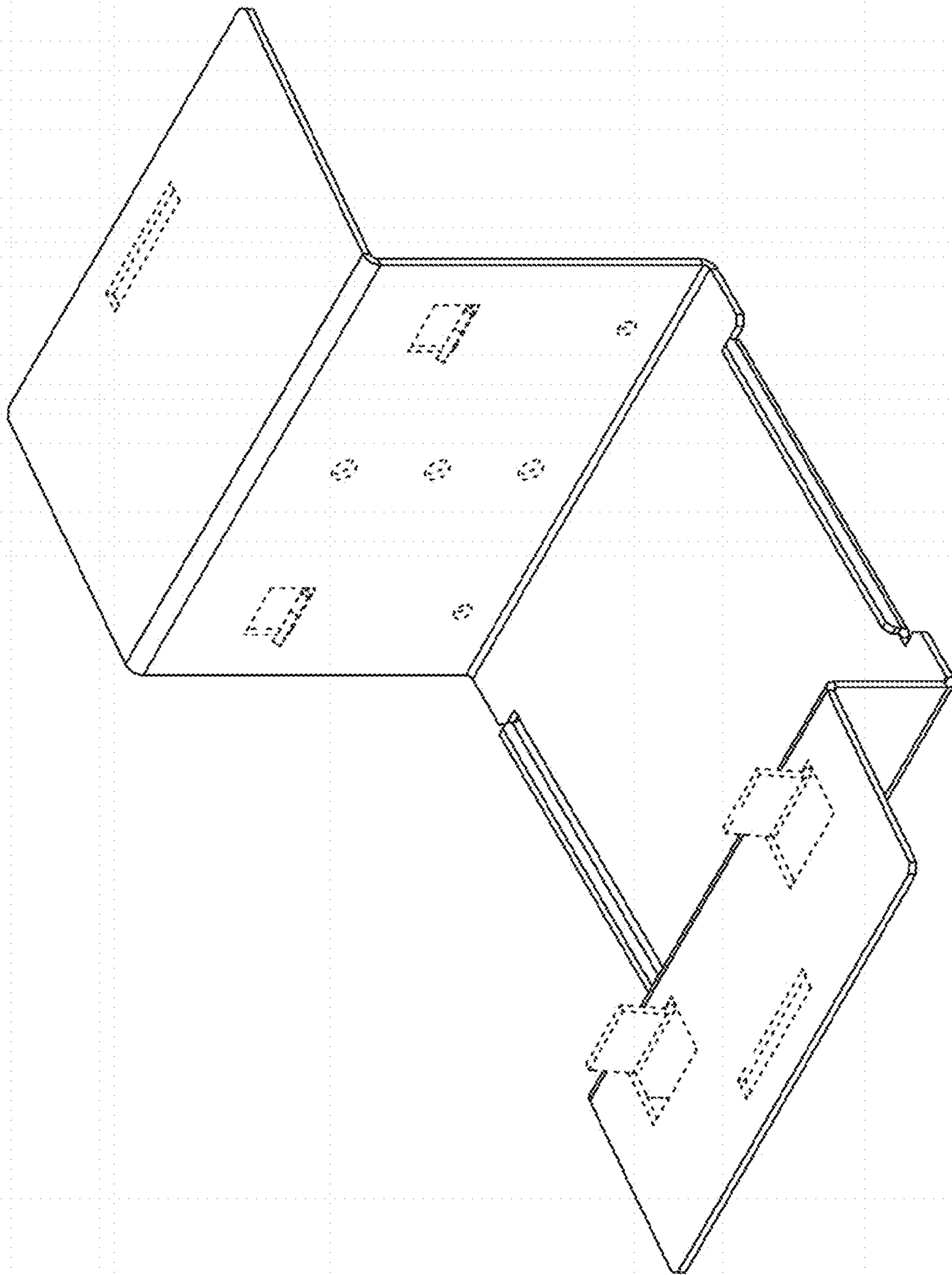


FIG. 3

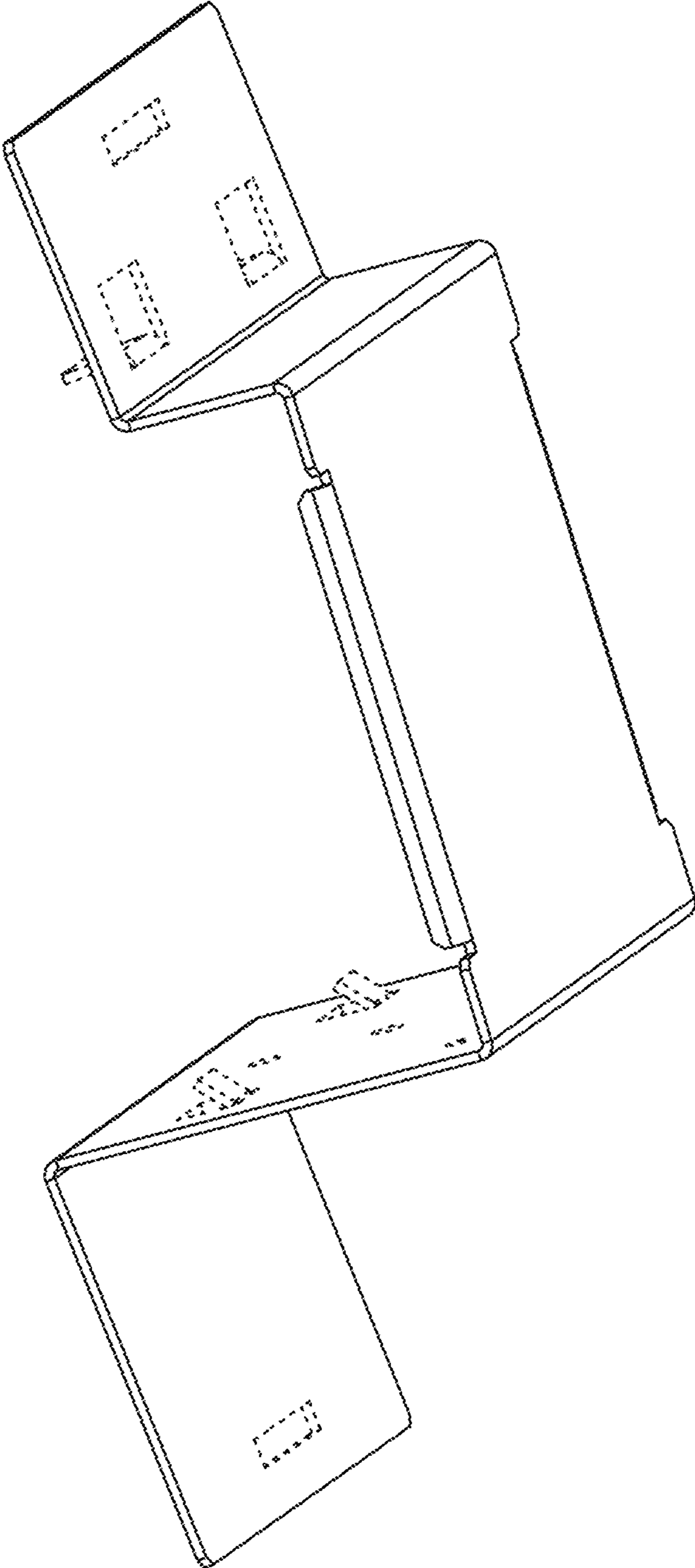


FIG. 4

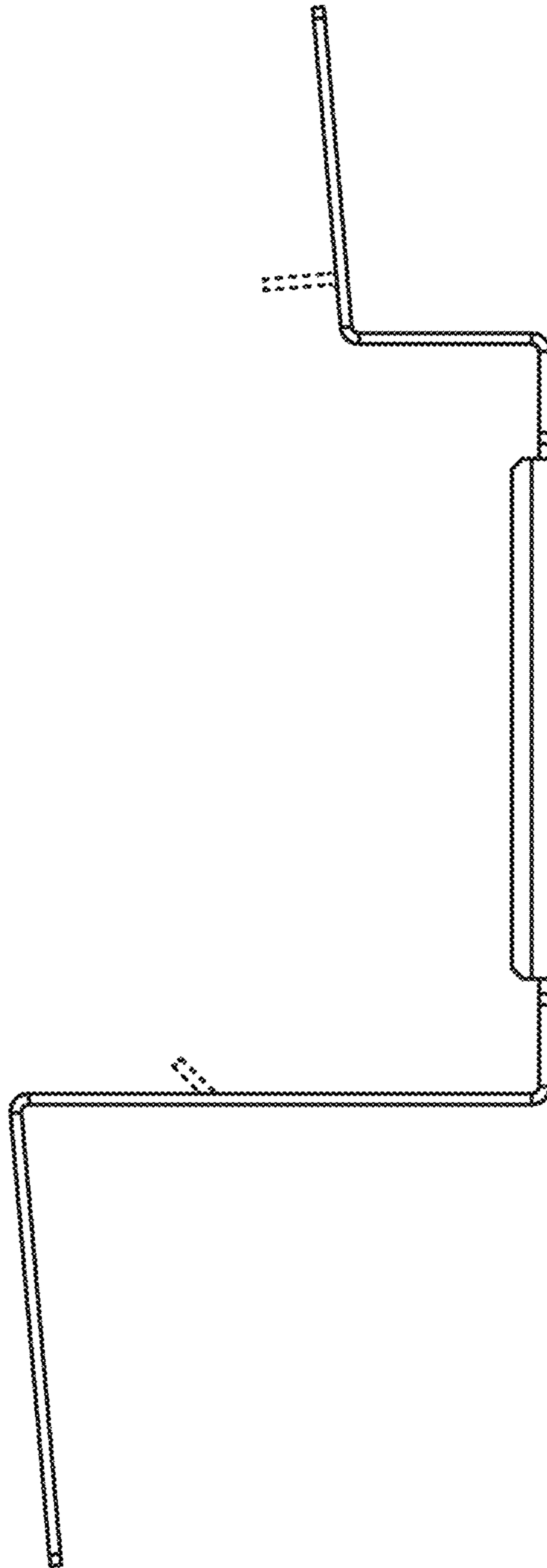


FIG. 5

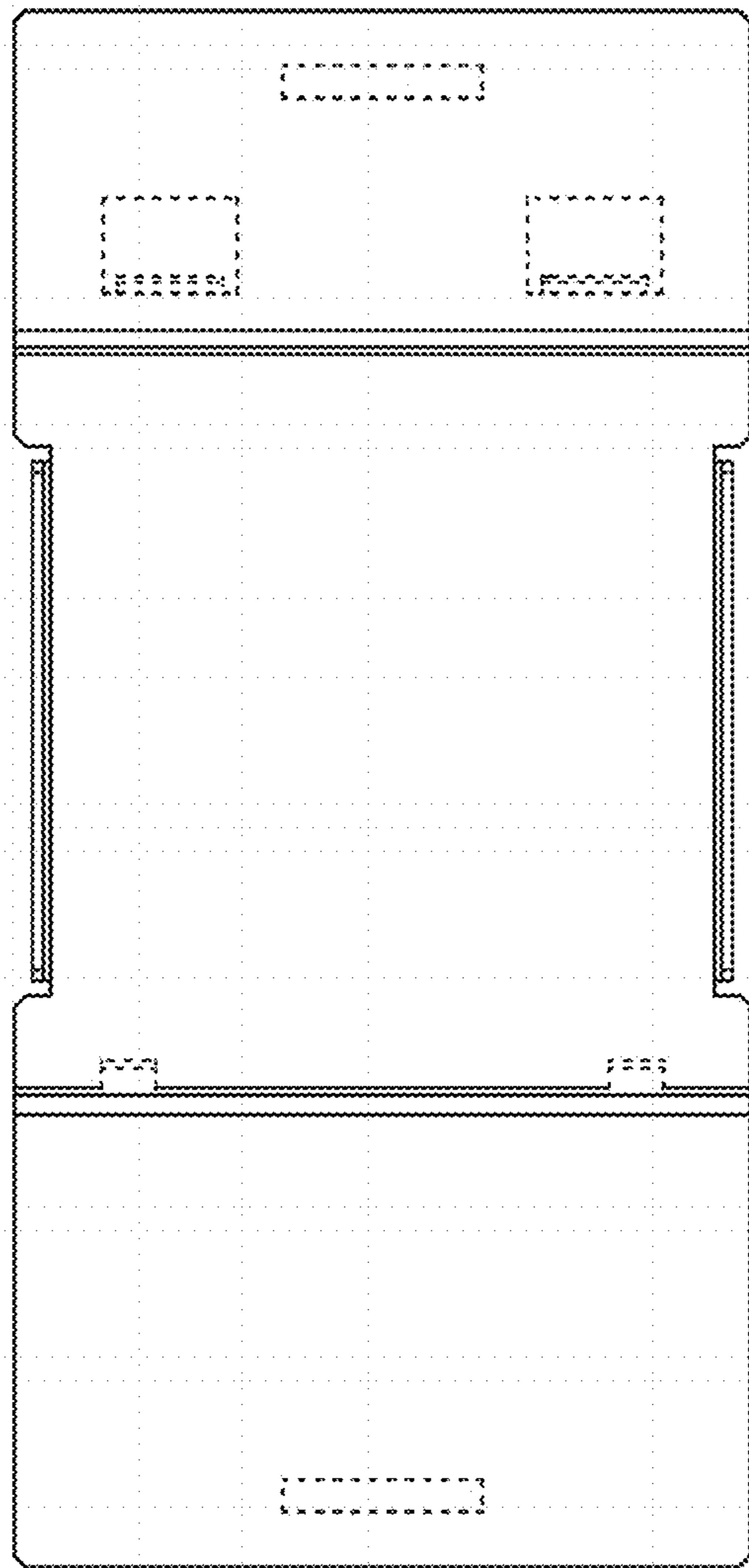
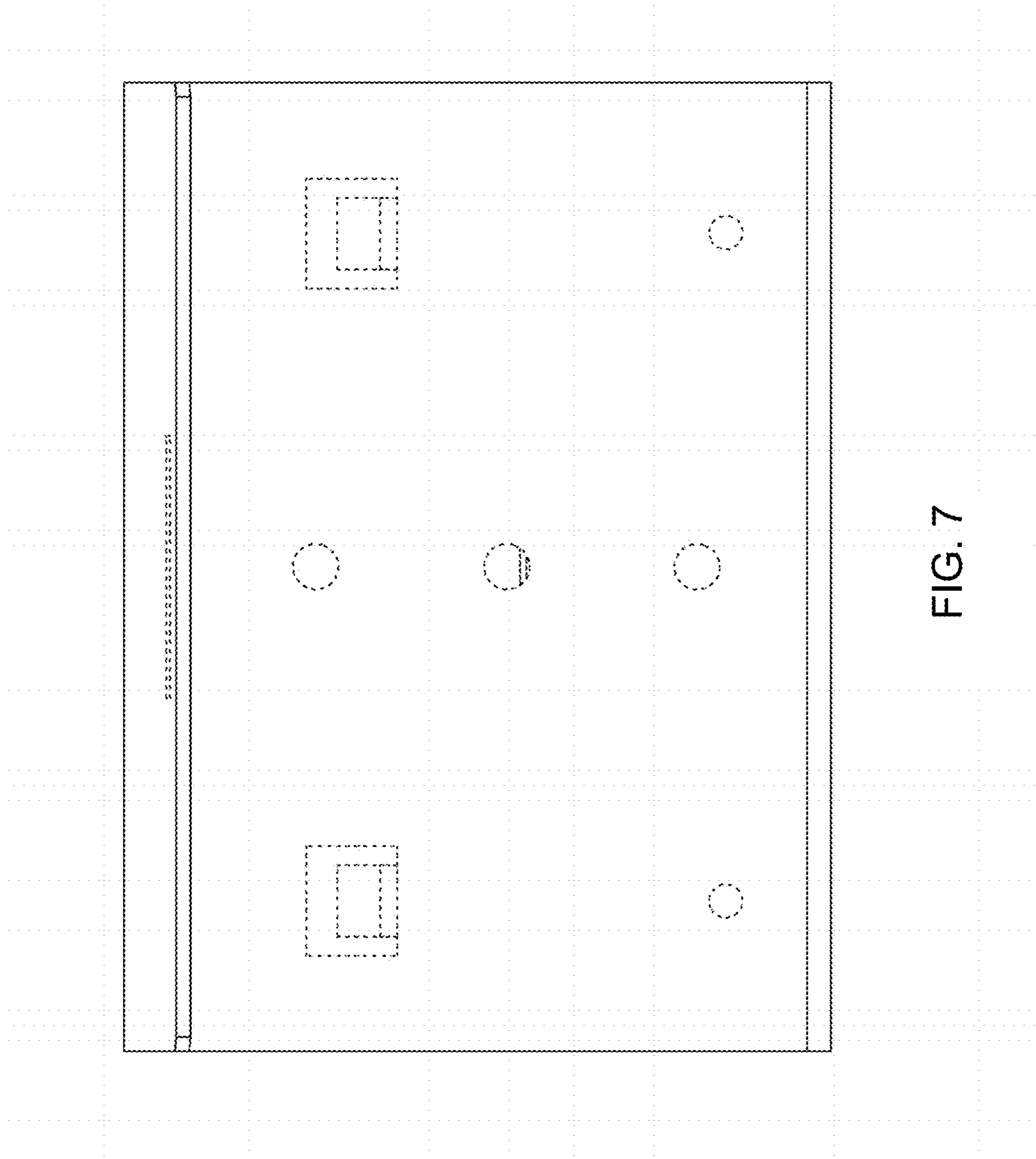


FIG. 6



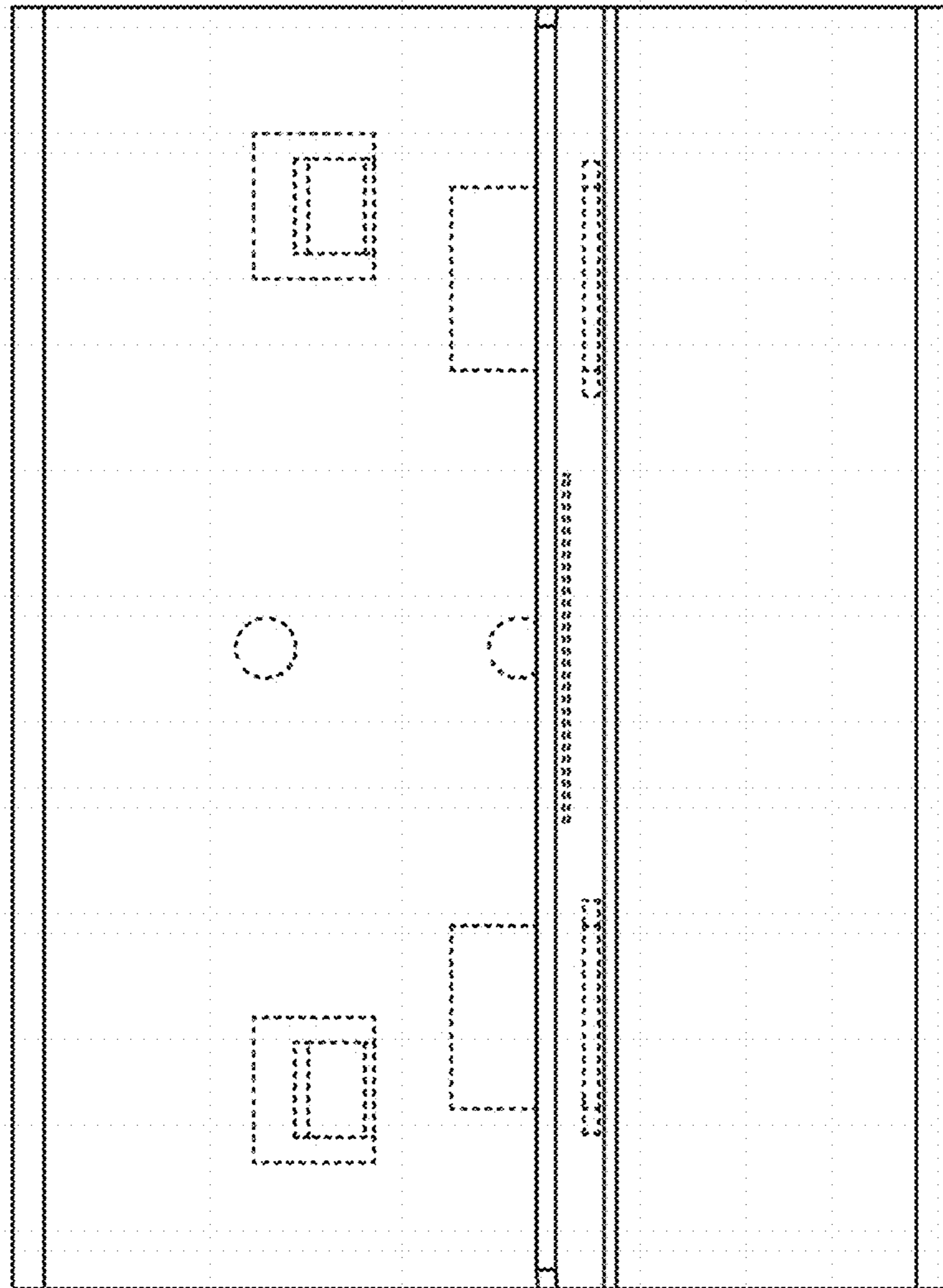


FIG. 8

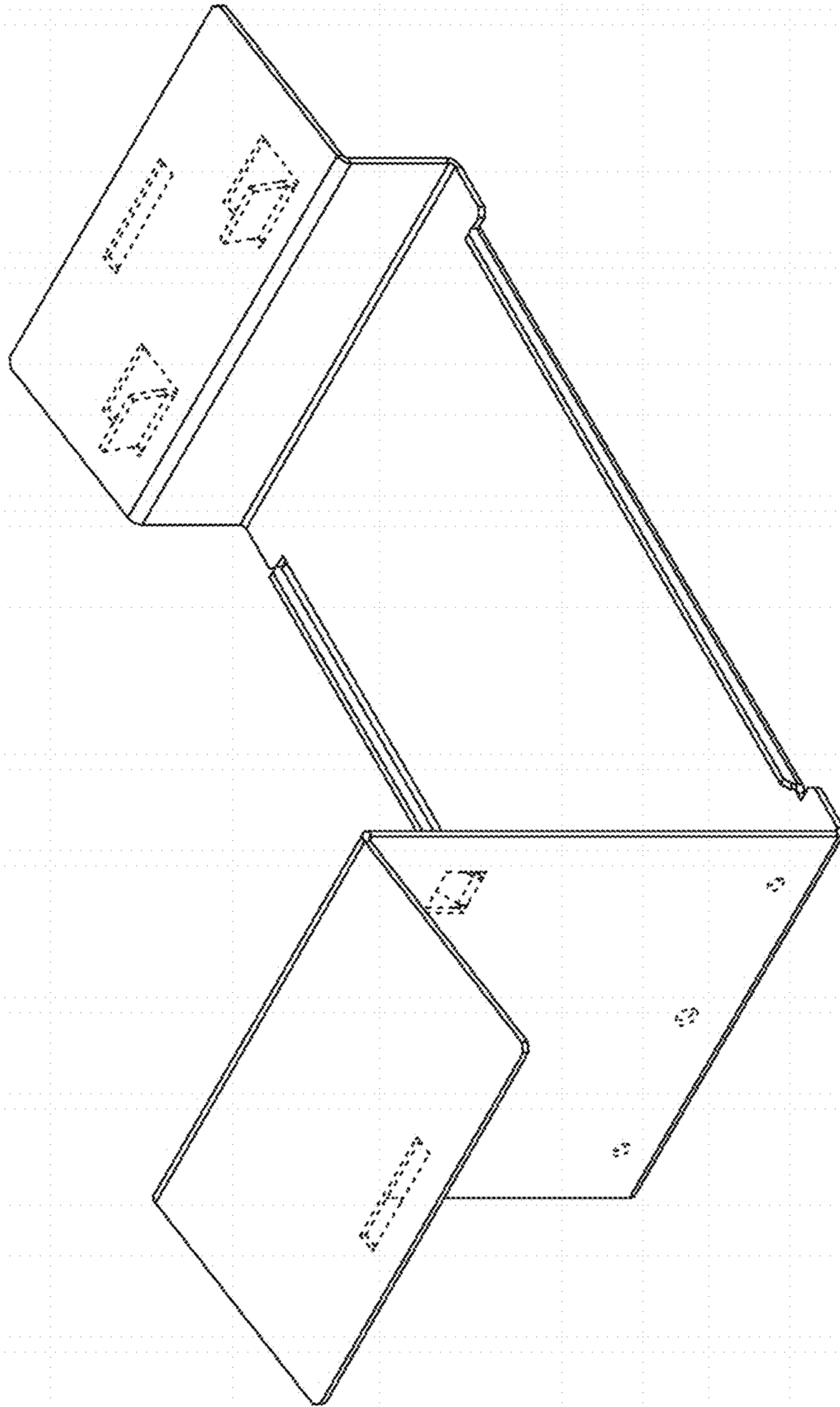


FIG. 9

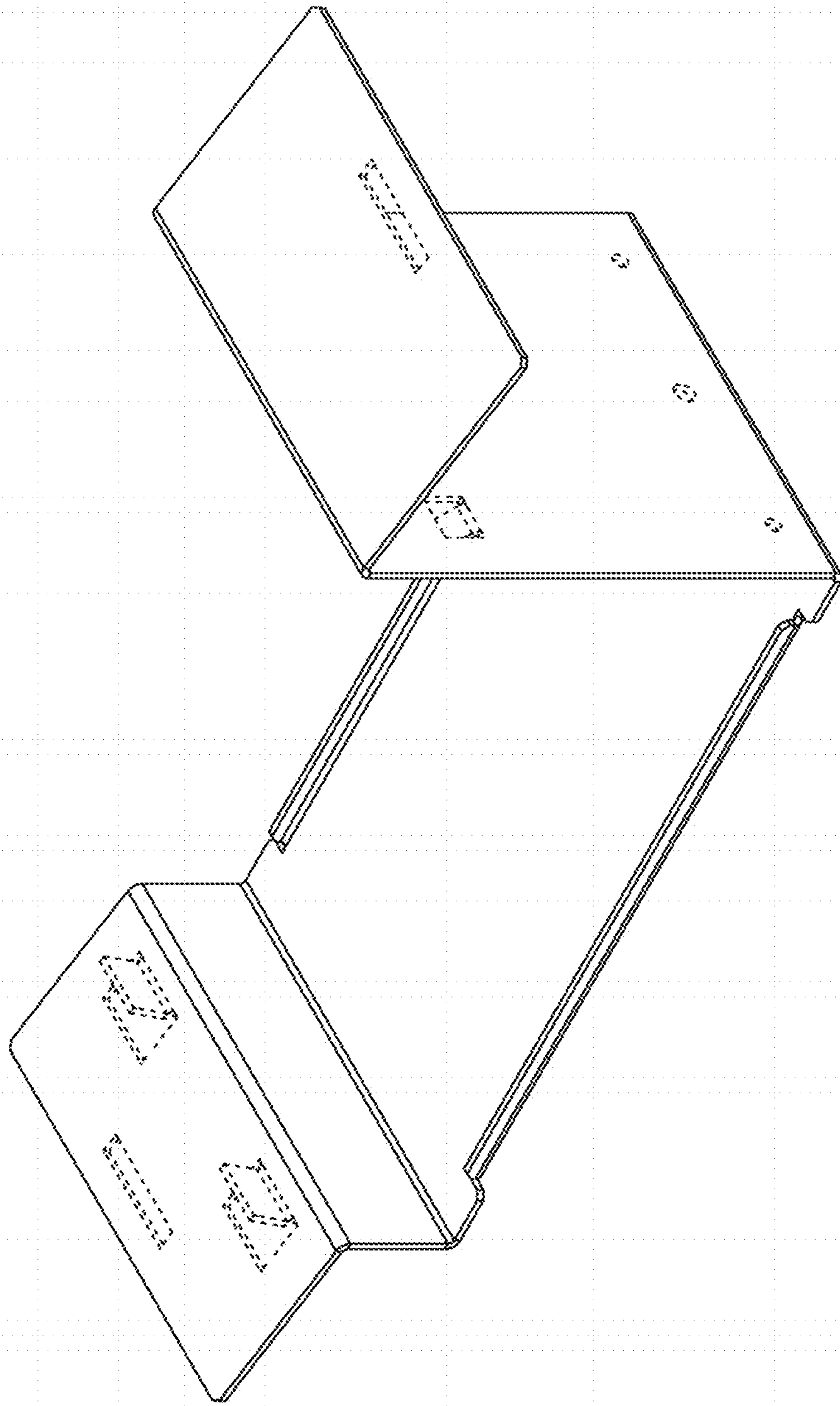


FIG. 10

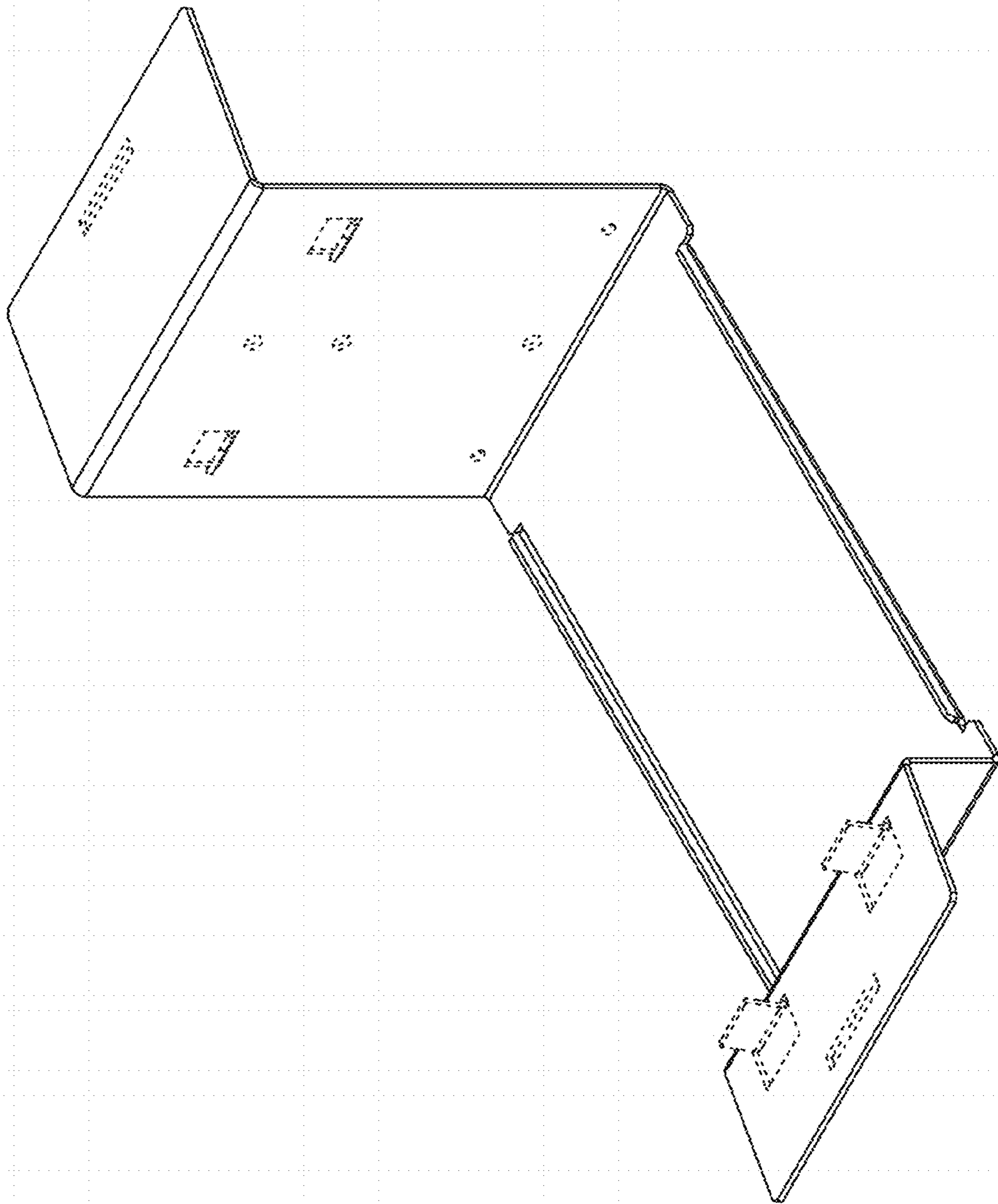


FIG. 11

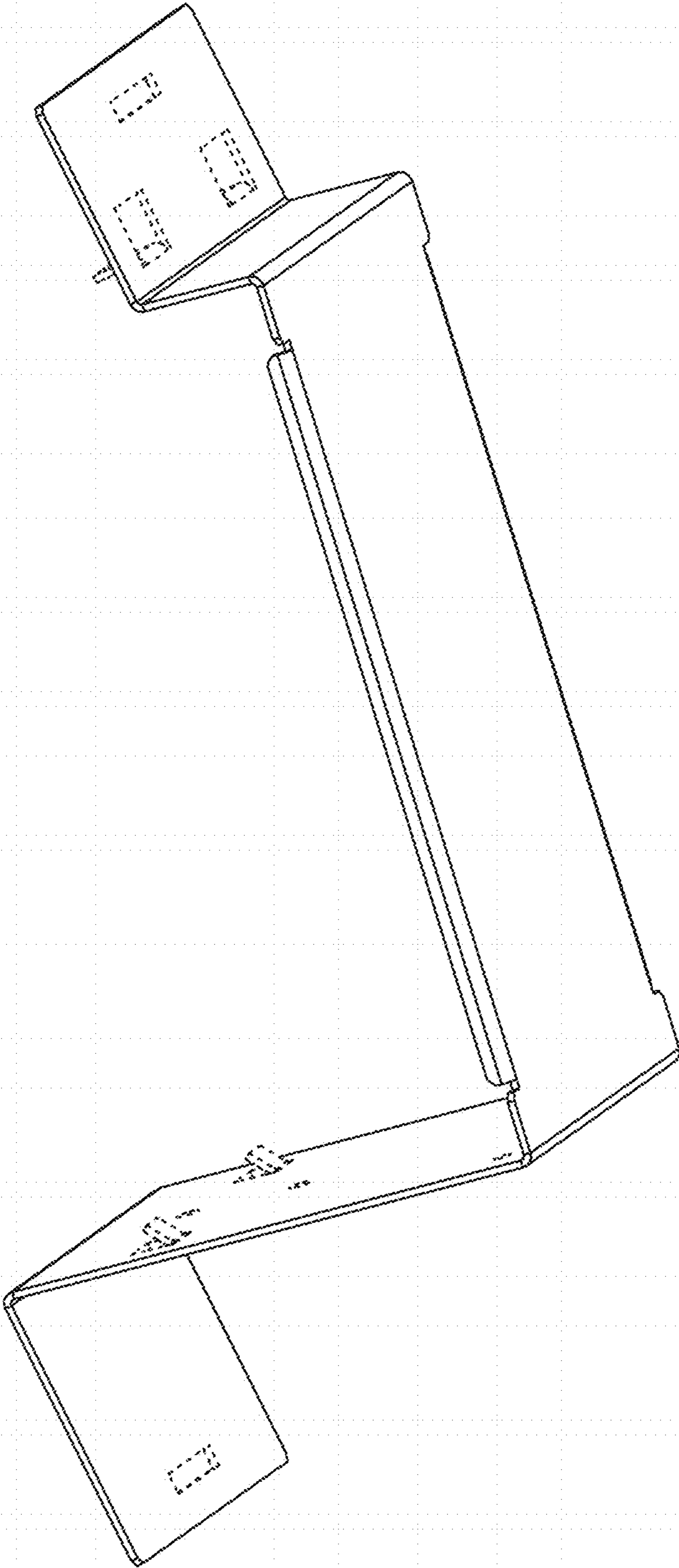


FIG. 12

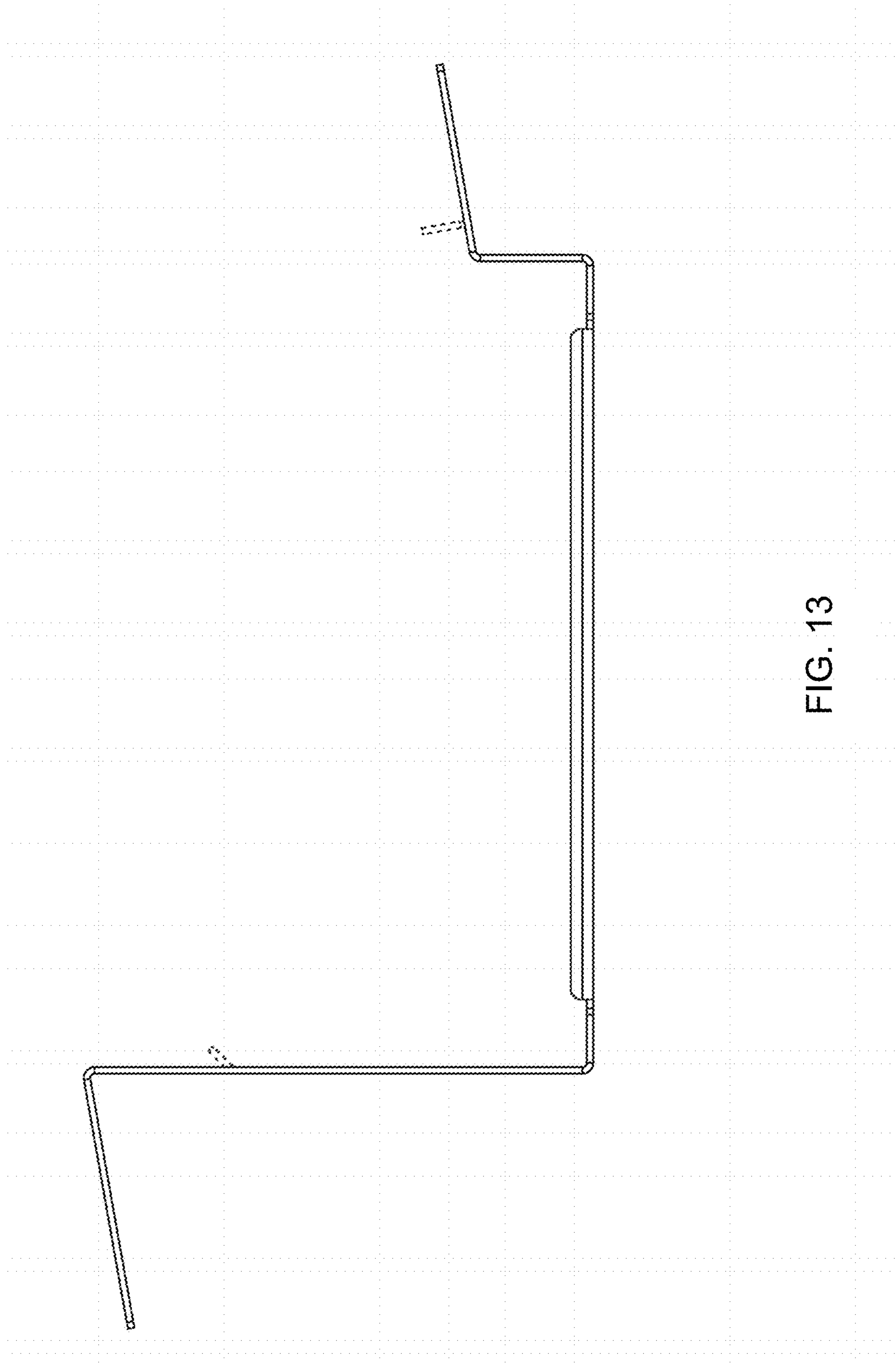


FIG. 13

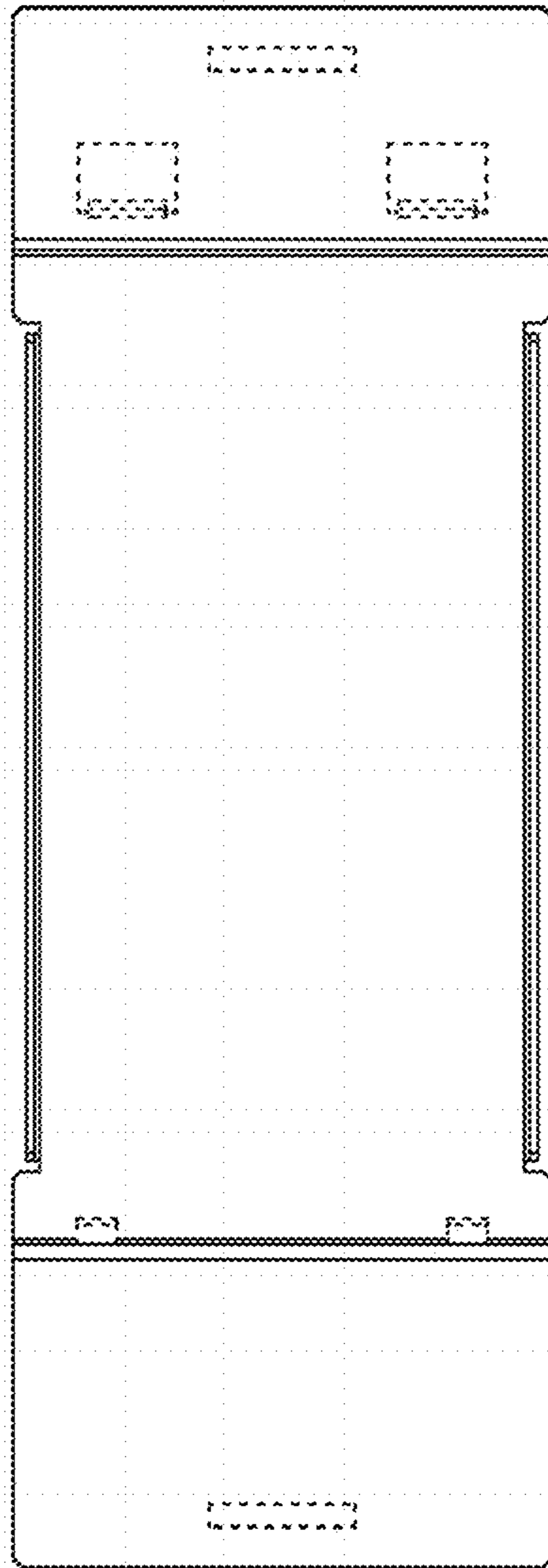
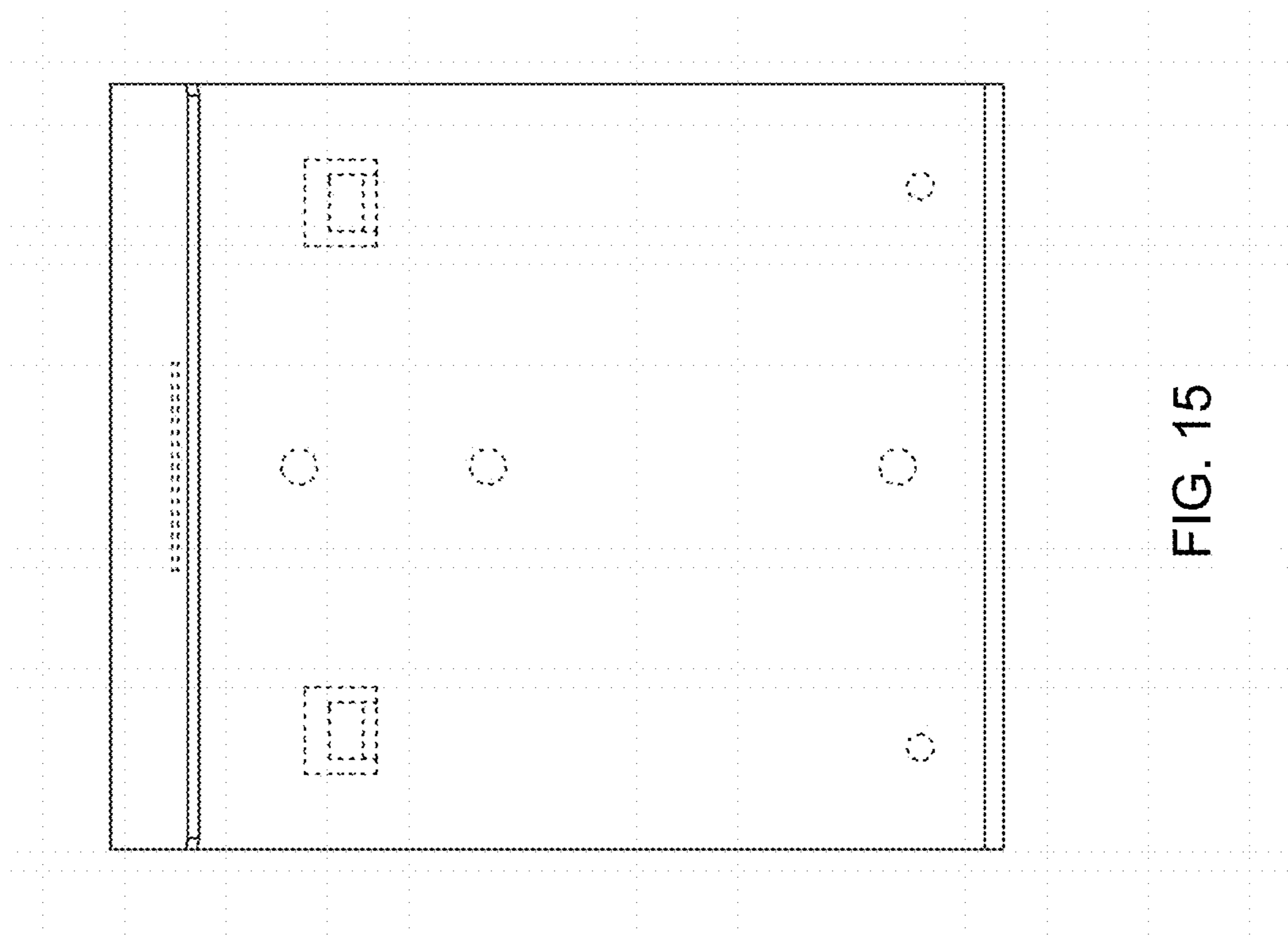


FIG. 14



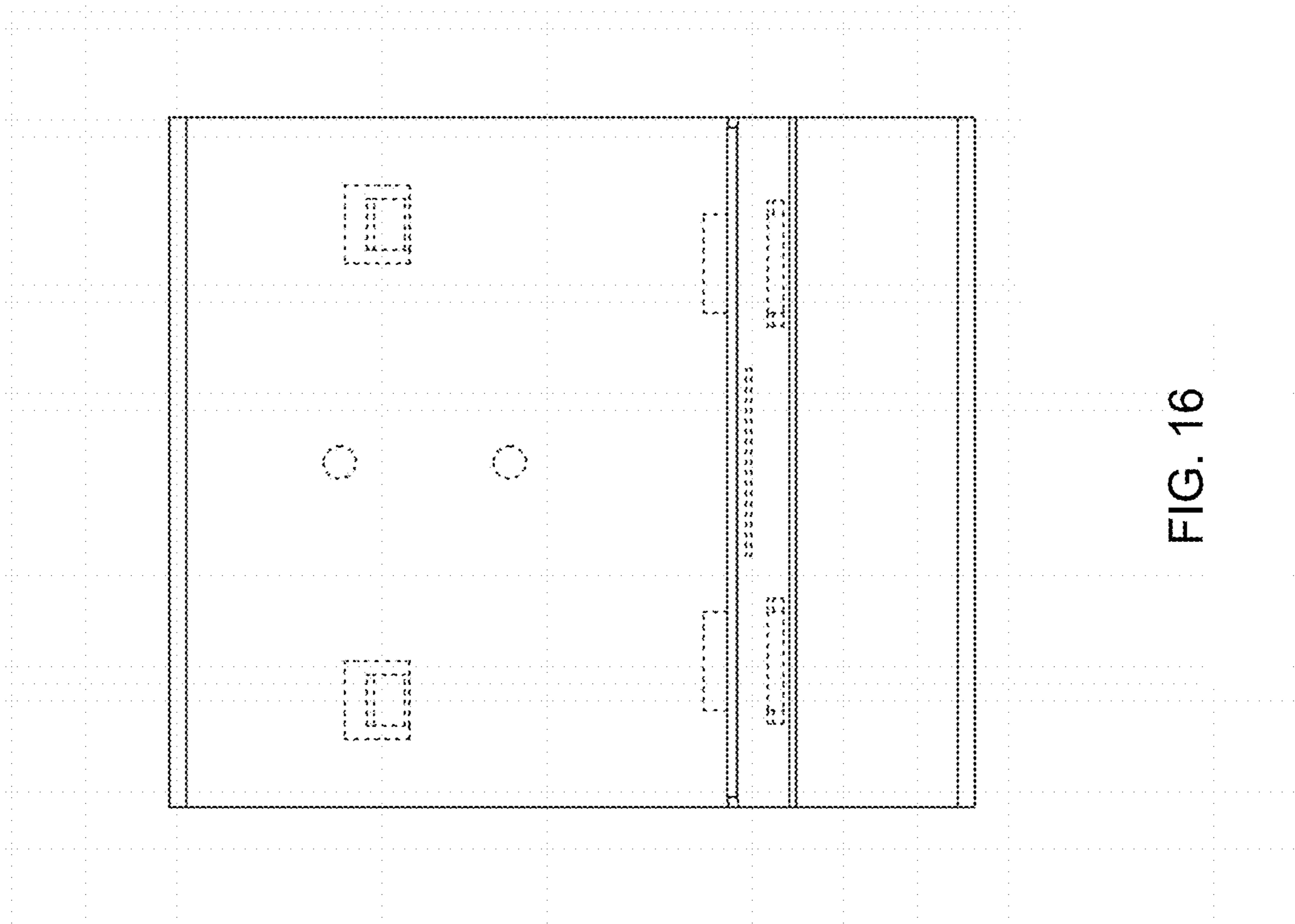


FIG. 16

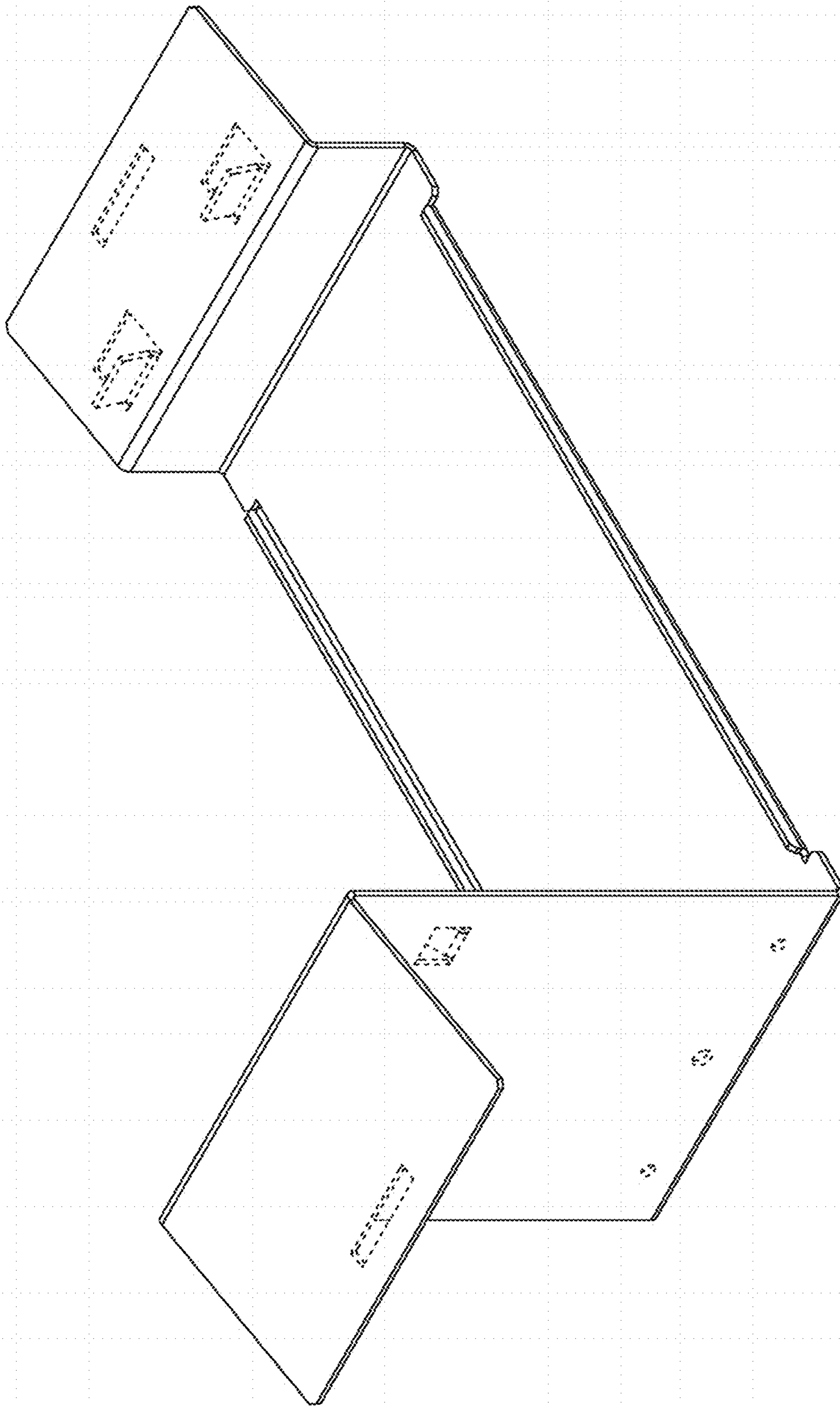


FIG. 17

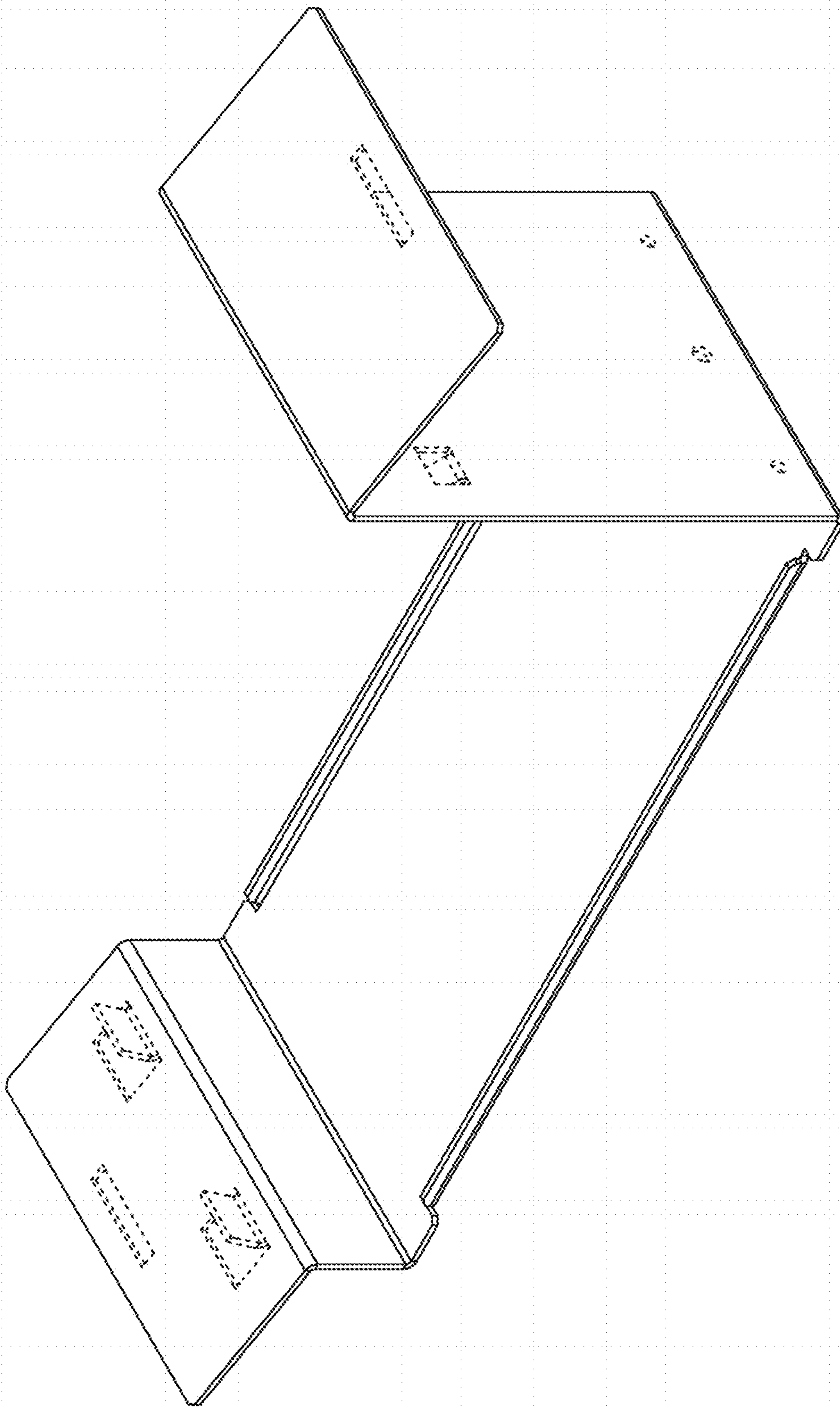


FIG. 18

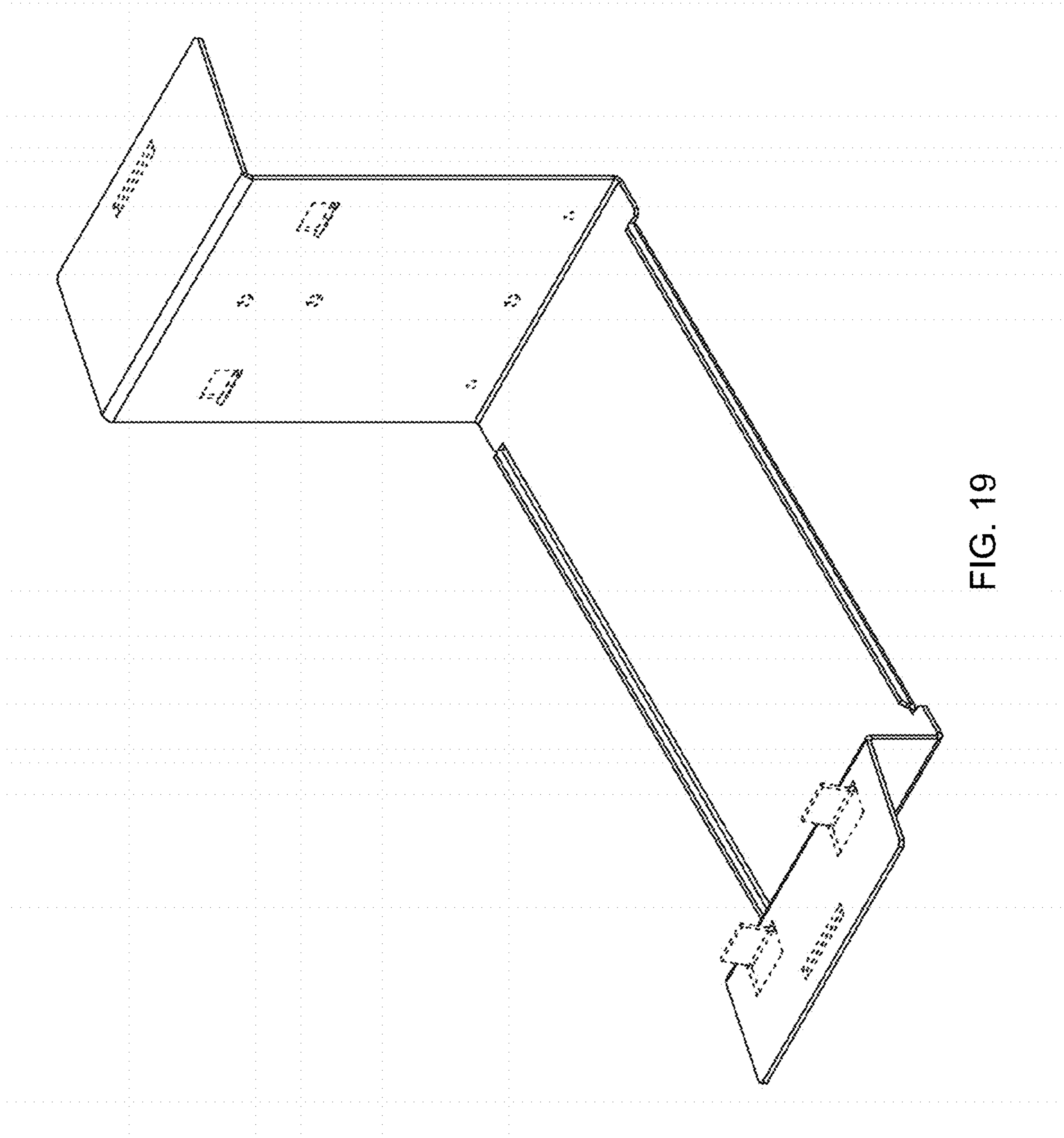


FIG. 19

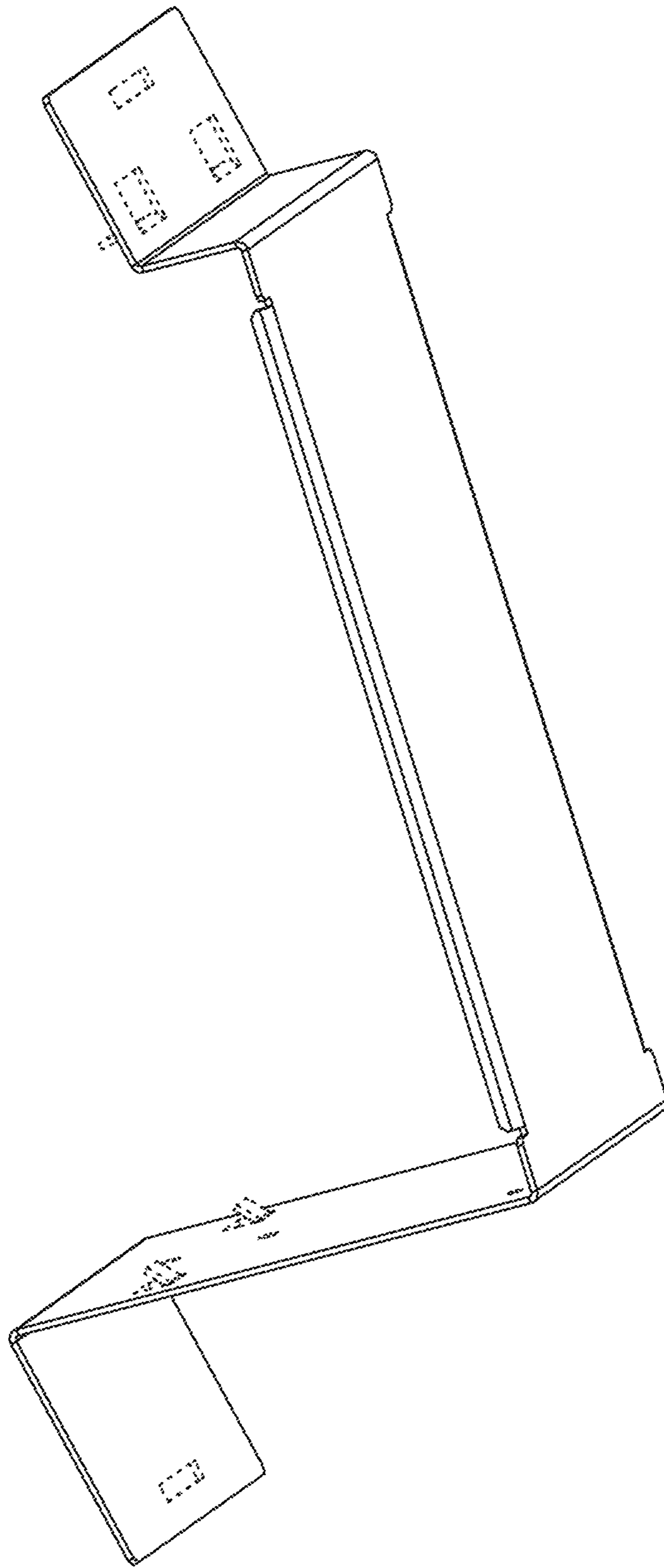


FIG. 20

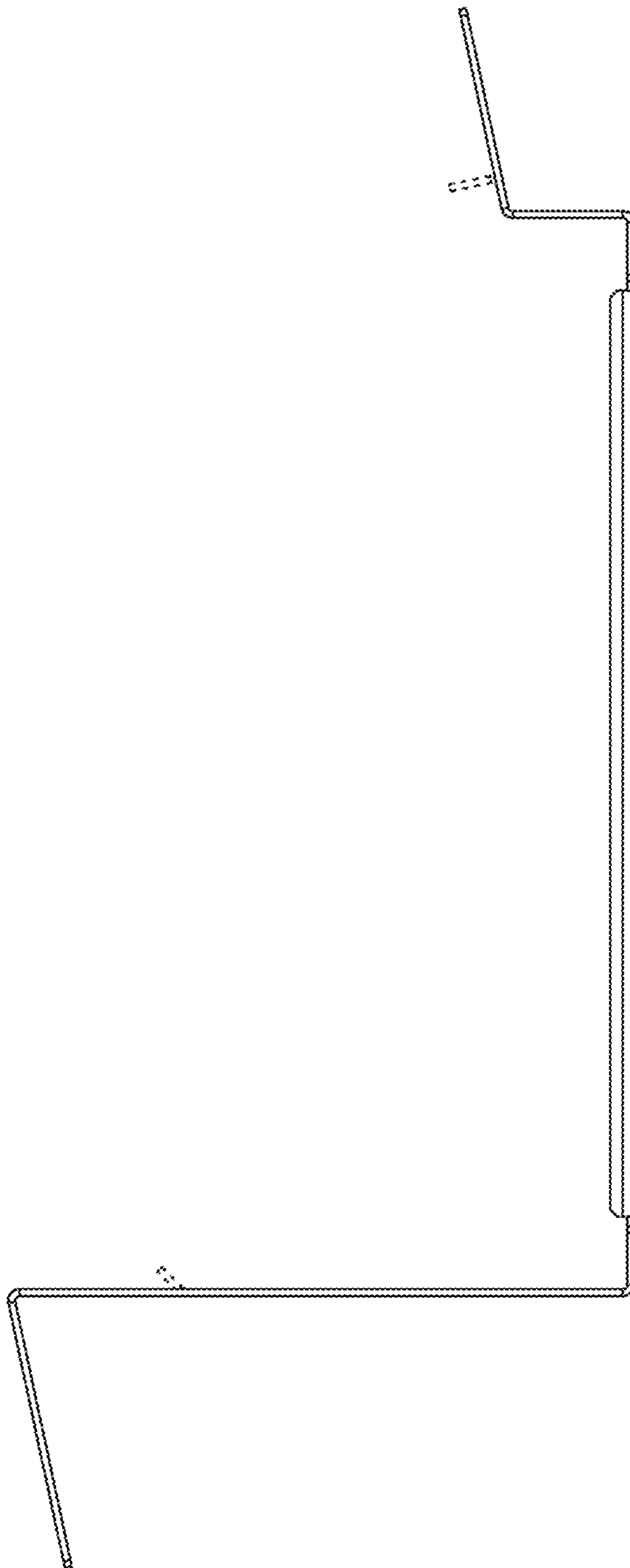


FIG. 21

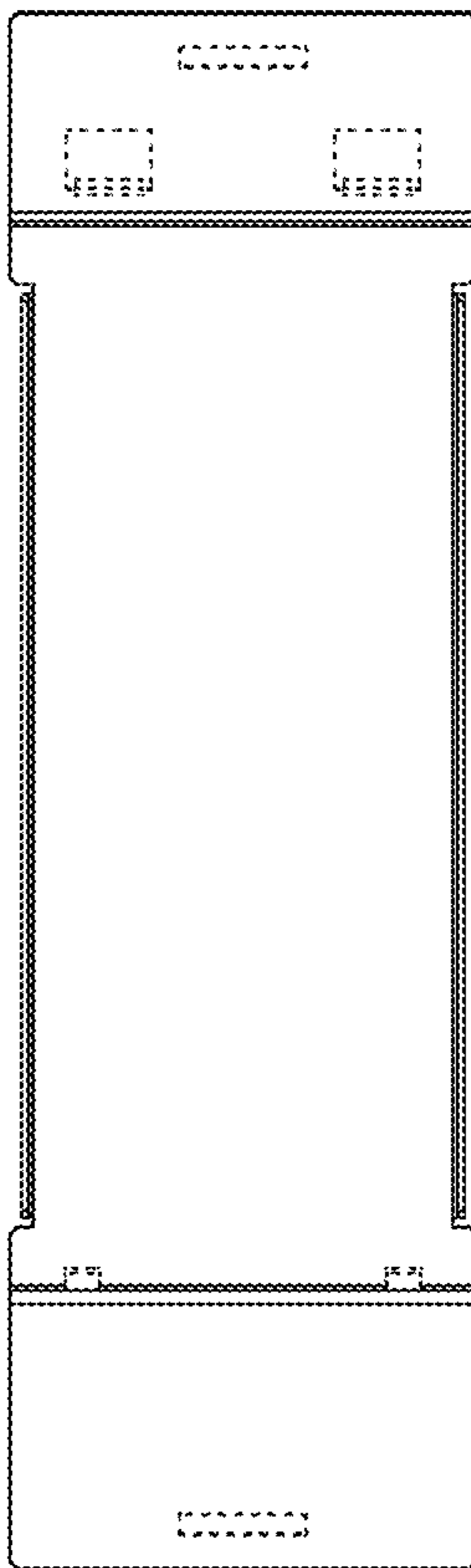
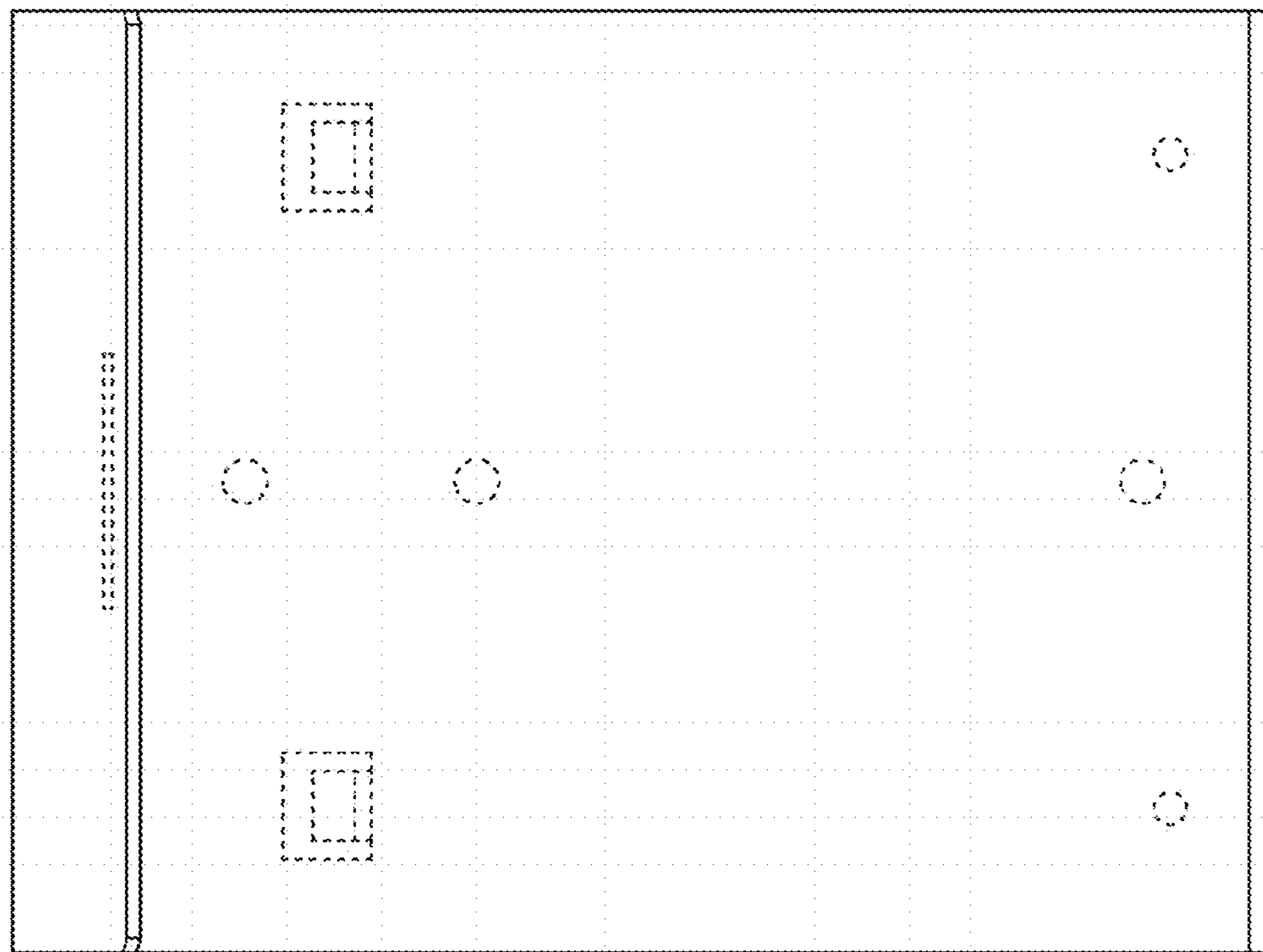


FIG. 22



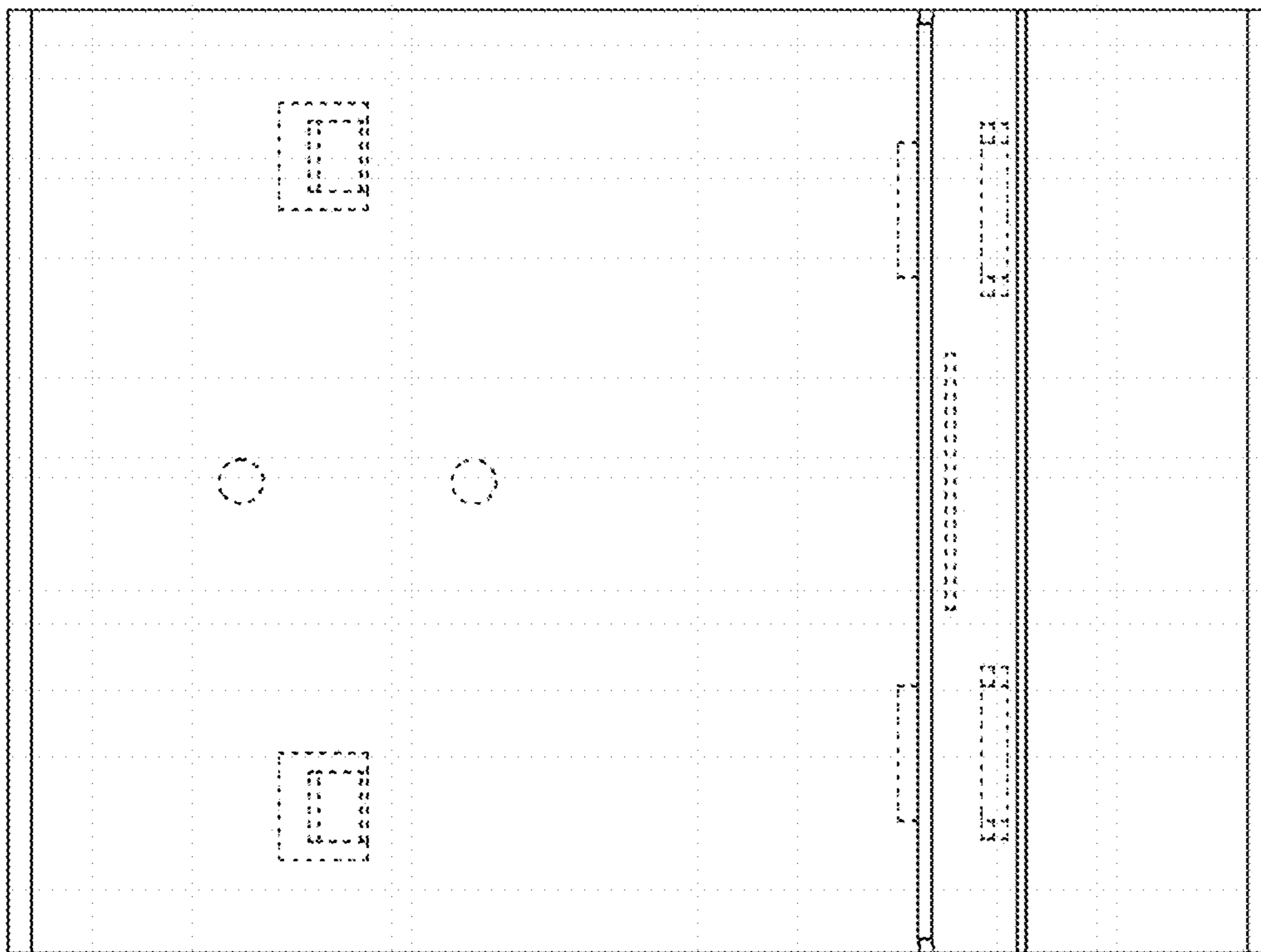


FIG. 24

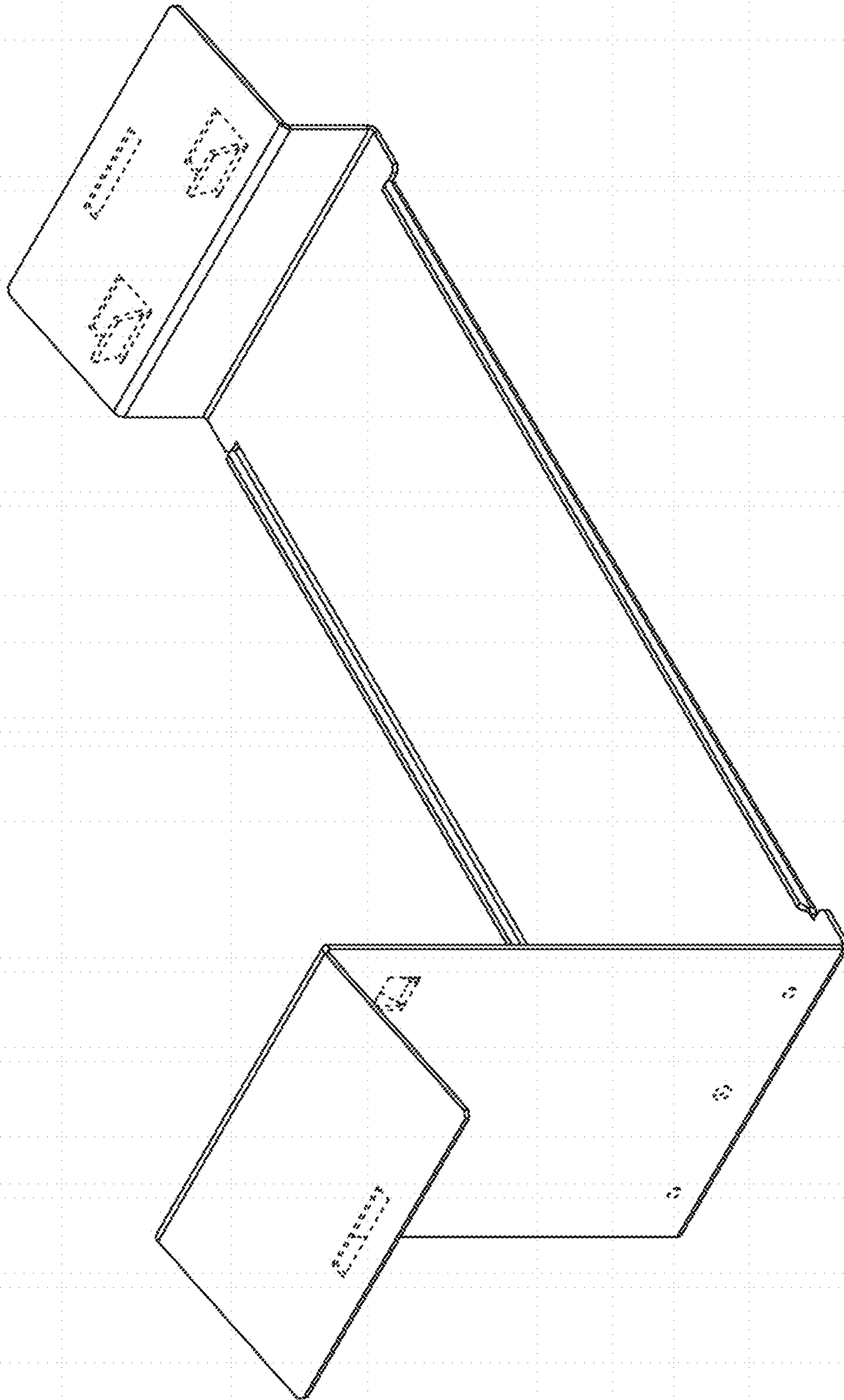


FIG. 25

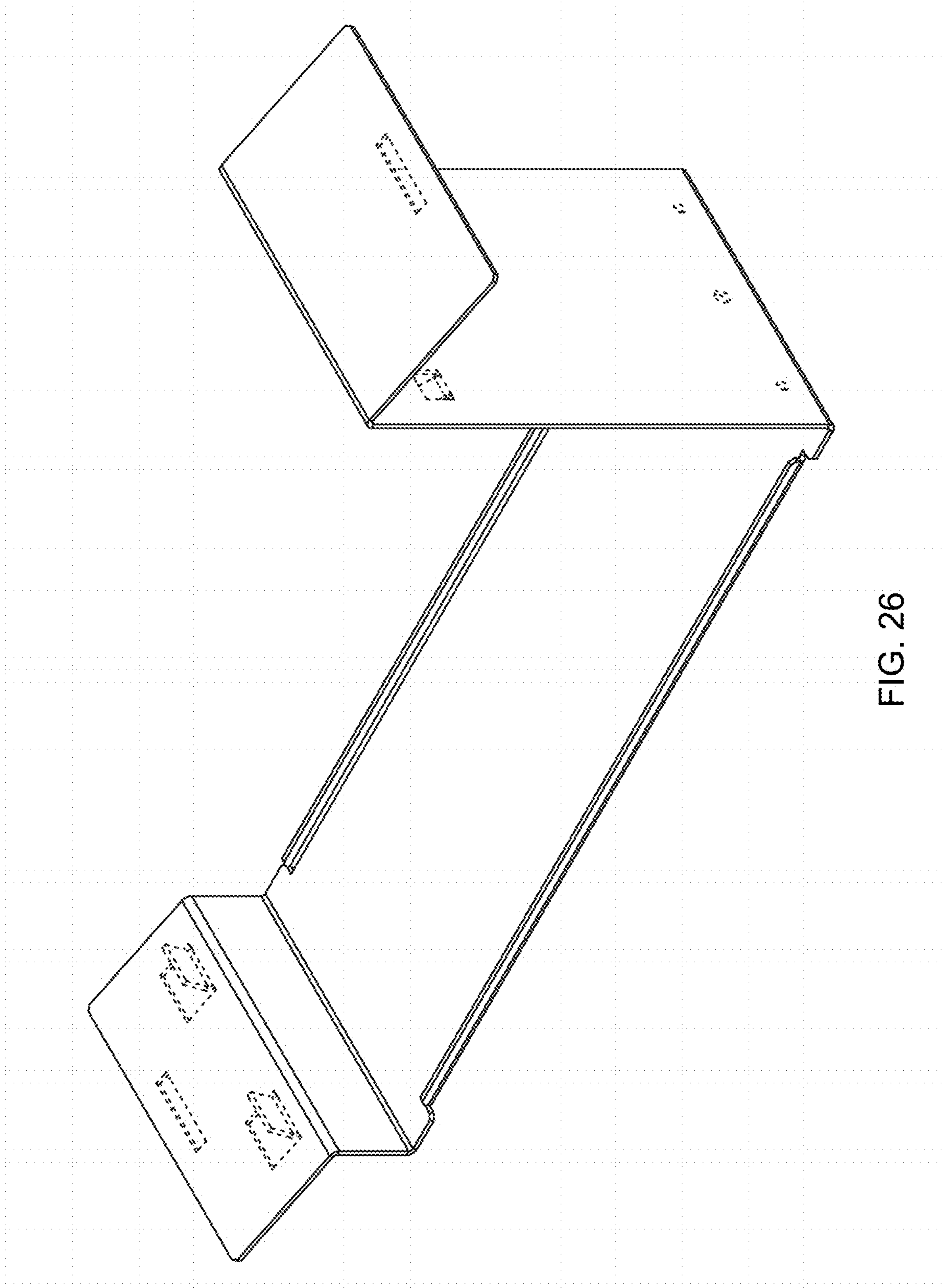


FIG. 26

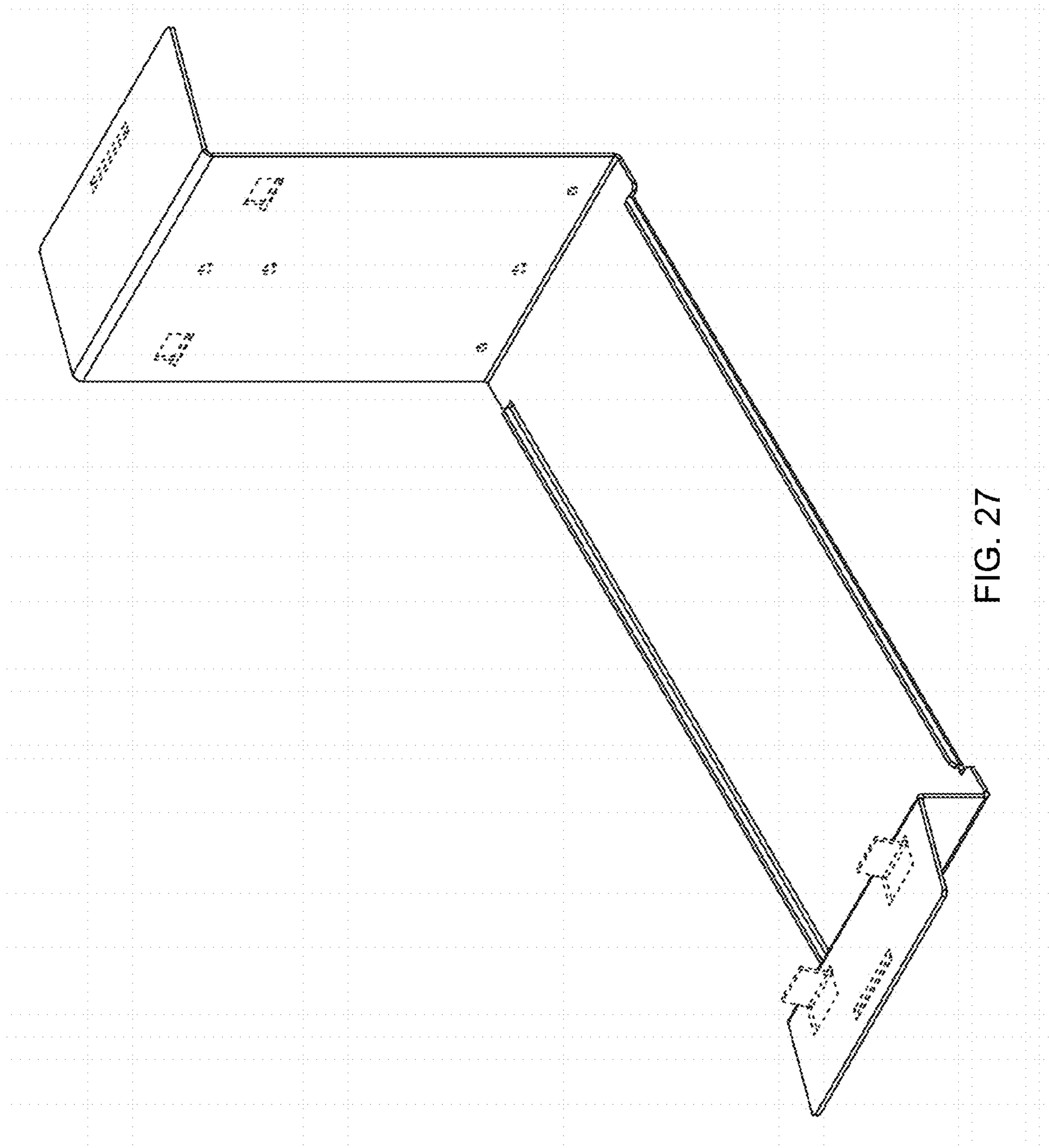


FIG. 27

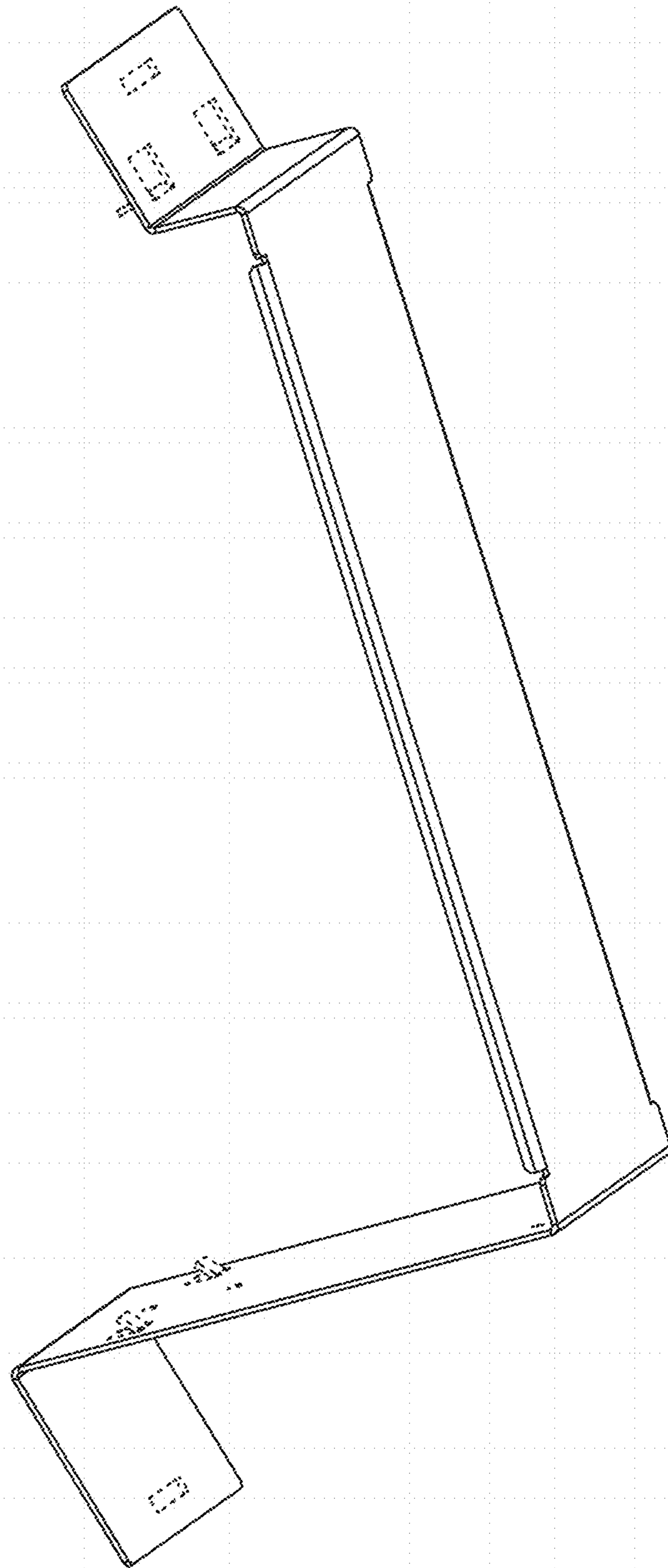


FIG. 28

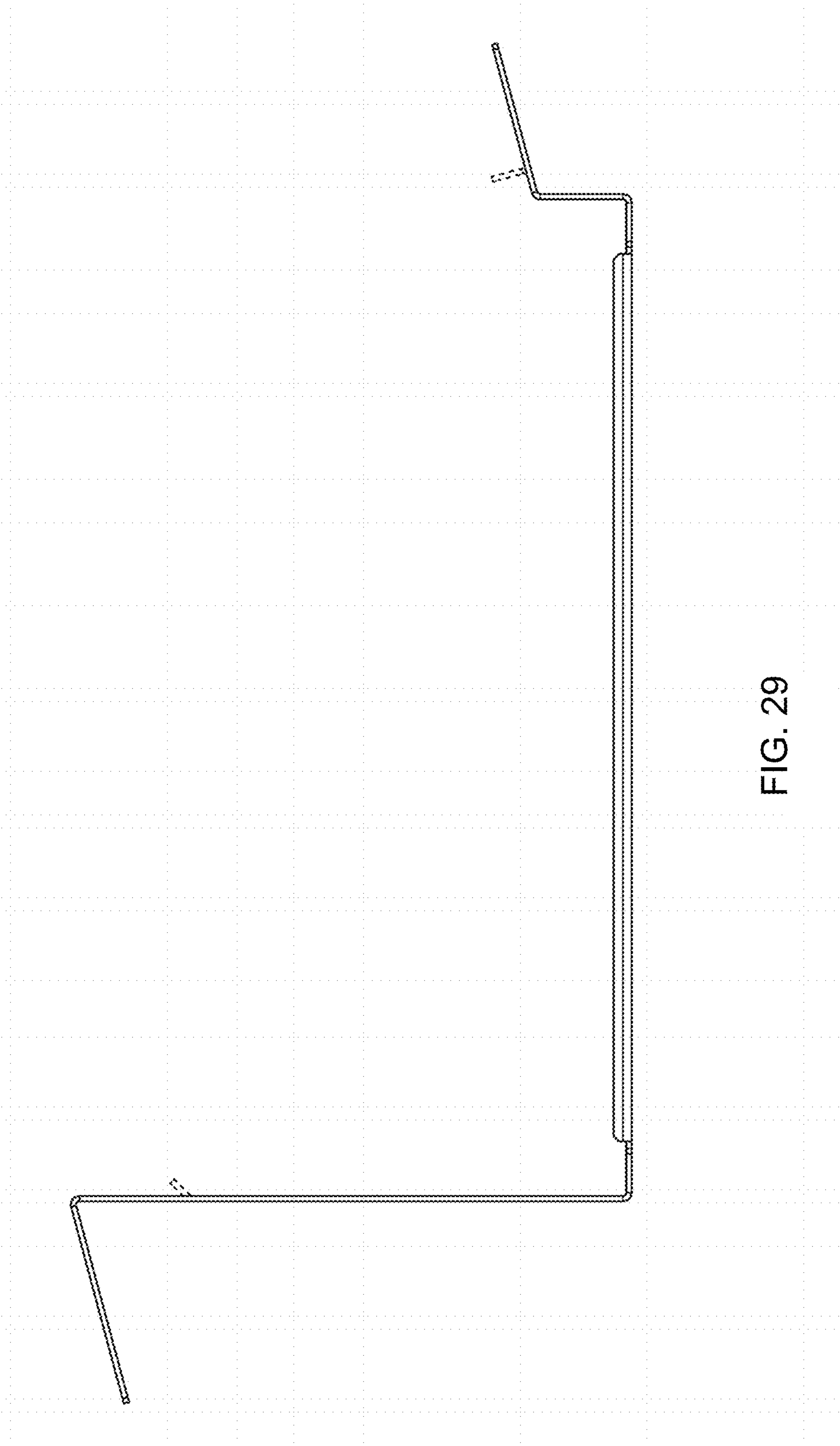


FIG. 29

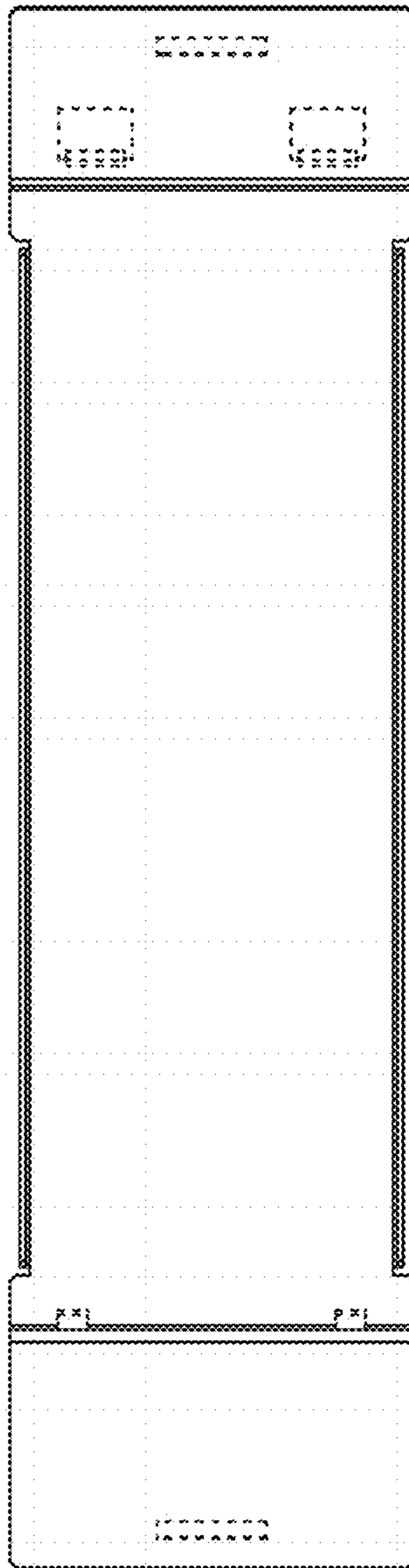


FIG. 30

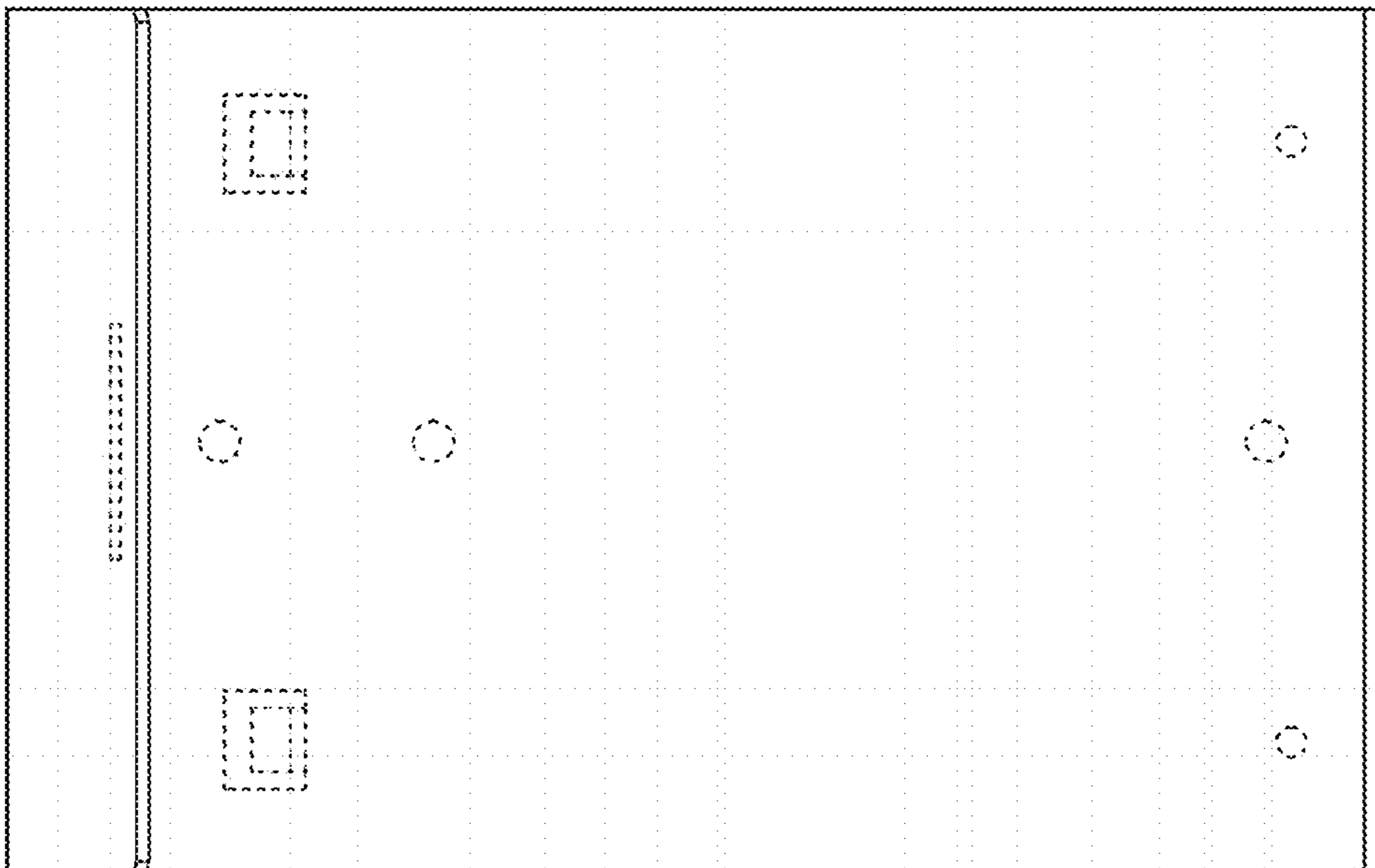


FIG. 31

