



US00D774873S

(12) **United States Design Patent** (10) **Patent No.:** **US D774,873 S**  
**Aller et al.** (45) **Date of Patent:** **\*\* Dec. 27, 2016**

(54) **MOUNTING PLATE**

FOREIGN PATENT DOCUMENTS

(71) Applicant: **Urbio, LLC**, Oakland, CA (US)  
(72) Inventors: **Jared Aller**, Oakland, CA (US); **Beau Oyler**, Walnut Creek, CA (US)

JP 2002/199980 7/2002  
JP 2003/246378 9/2003  
WO WO 2009/116895 9/2009

(73) Assignee: **Honey-Can-Do International, LLC**, Berekely, IL (US)

OTHER PUBLICATIONS

(\*\*) Term: **14 Years**

PCT International Search Report and Written Opinion in International Application PCT/US2012/030987, mailed Jul. 13, 2012, 15 pgs.

(21) Appl. No.: **29/524,206**

*Primary Examiner* — Mark Goodwin

(22) Filed: **Apr. 17, 2015**

(74) *Attorney, Agent, or Firm* — Culhane Meadows PLLC

(51) **LOC (10) Cl.** ..... **08-08**

(52) **U.S. Cl.**  
USPC ..... **D8/349**

(57) **CLAIM**

(58) **Field of Classification Search**  
USPC ..... D8/349, 354; 248/205.3, 220.22, 309.4;  
47/65.5; 220/23.4  
CPC ..... A01G 9/022; A01G 9/025; A01G 9/02;  
A01G 9/128; A01G 9/12; B65D 21/0201;  
B65D 21/02; Y02P 60/249  
See application file for complete search history.

The ornamental design for a mounting plate, as shown.

**DESCRIPTION**

(56) **References Cited**

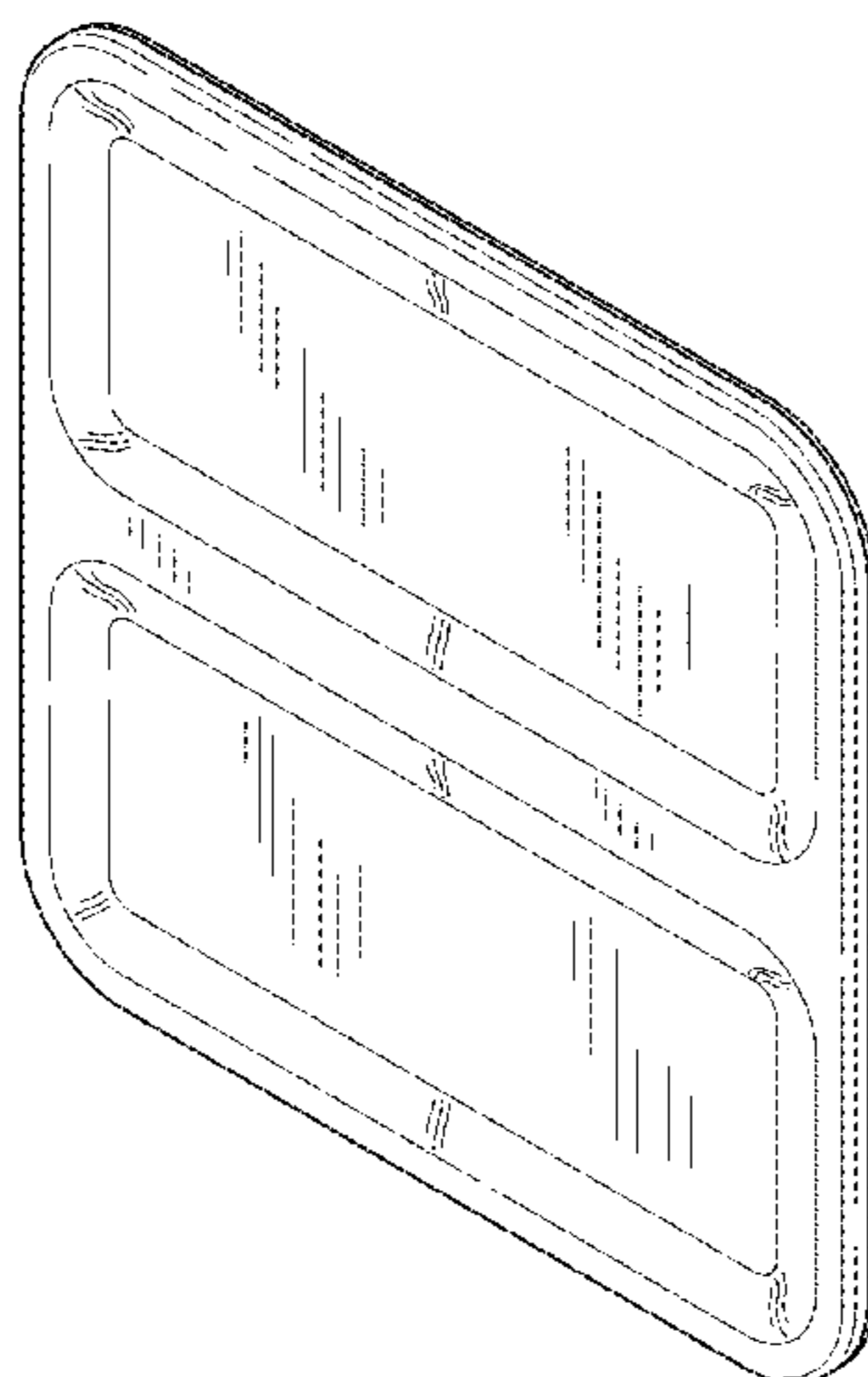
U.S. PATENT DOCUMENTS

4,484,682 A 11/1984 Crow  
D287,175 S 12/1986 Gecchelin  
D305,193 S 12/1989 Sajadieh  
5,037,107 A 8/1991 McArthur et al.  
D334,265 S 3/1993 Giugiaro  
5,368,203 A 11/1994 Friedrich et al.  
D398,215 S \* 9/1998 Richter ..... D8/349  
5,871,107 A 2/1999 Johnson et al.  
6,065,632 A 5/2000 Moore, Jr. et al.  
D448,299 S 9/2001 Negre  
D481,236 S 10/2003 Hunt  
D497,777 S 11/2004 Sanders et al.  
D506,644 S 6/2005 Poupel et al.  
7,010,935 B2 3/2006 Citrynell et al.  
D540,623 S 4/2007 Schreiber-Pethan et al.

FIG. 1 is a front perspective view of a mounting plate showing our new design.  
FIG. 2 is back perspective view of the mounting plate of FIG. 1.  
FIG. 3 is a front elevation view of the mounting plate of FIG. 1.  
FIG. 4 is a back elevation view of the mounting plate of FIG. 1.  
FIG. 5 is a right elevation view of the mounting plate of FIG. 1.  
FIG. 6 is a left elevation view of the mounting plate of FIG. 1.  
FIG. 7 is a top plan view of the mounting plate of FIG. 1; and,  
FIG. 8 is a bottom plan view of the mounting plate of FIG. 1.  
The broken lines depict portions of the mounting plate that form no part of the claimed design.

(Continued)

**1 Claim, 5 Drawing Sheets**



(56)

References Cited

U.S. PATENT DOCUMENTS

D543,788 S	6/2007	Hong		8,001,671 B2	8/2011	Mitchell	
D543,790 S	6/2007	Szymanski		D646,852 S	10/2011	Chance et al.	
D549,555 S *	8/2007	Ignagni .....	D8/354	D648,212 S	11/2011	Golota et al.	
D551,502 S	9/2007	Bodum		D651,049 S	12/2011	Nakagawa	
D561,561 S *	2/2008	Wohlford .....	D8/354	D651,467 S	1/2012	Bodum	
D563,733 S	3/2008	Wang		D654,779 S *	2/2012	Matre .....	D8/302
D564,843 S	3/2008	Frank		D655,984 S	3/2012	Andreesen	
D564,844 S	3/2008	Schreiber-Pethan et al.		D661,948 S	6/2012	Bangert	
D579,616 S	10/2008	Lion et al.		D661,989 S	6/2012	Praster	
D581,279 S	11/2008	Oates		D662,785 S	7/2012	Kern	
D581,738 S	12/2008	Bodum		D667,240 S	9/2012	Weldon	
D588,913 S	3/2009	Bakic		D676,710 S	2/2013	Kwok	
D590,564 S	4/2009	Dretzka		D677,830 S *	3/2013	Daniels .....	D26/102
D593,882 S	6/2009	Scalisi		D680,812 S	4/2013	Justus et al.	
D594,277 S	6/2009	Snell		D685,230 S	7/2013	Hassman	
D607,616 S	1/2010	Newsome et al.		D685,608 S	7/2013	Bangert	
D611,769 S	3/2010	Hauser		D685,610 S	7/2013	Bangert	
D612,732 S	3/2010	Takata et al.		D698,568 S	2/2014	Chen	
D613,127 S	4/2010	Olivari		D704,529 S *	5/2014	Le .....	D8/331
D613,999 S	4/2010	Sierra		D704,530 S *	5/2014	Le .....	D8/331
D614,917 S	5/2010	Calco		D711,239 S	8/2014	Julier	
D620,764 S	8/2010	Lessells		D717,116 S	11/2014	Aslon	
D621,223 S	8/2010	Bas		D717,608 S	11/2014	Lin	
D621,665 S	8/2010	Lion et al.		D718,532 S	12/2014	Wang	
D622,553 S	8/2010	Bollenbacher		2004/0173719 A1	9/2004	Mitchell et al.	
D626,791 S	11/2010	Sierra		2005/0056646 A1	3/2005	Gary	
D628,340 S	11/2010	Krause		2007/0131695 A1	6/2007	Hsing-Hsien	
D629,264 S	12/2010	Curtin		2008/0060204 A1	3/2008	Chen	
D632,138 S	2/2011	Carter		2009/0166243 A1	7/2009	Cetera	
D634,165 S	3/2011	Yang		2010/0071395 A1	3/2010	LeDoux et al.	
7,897,088 B2	3/2011	Mitchell		2010/0206825 A1	8/2010	Johnston et al.	
D640,248 S	6/2011	Baumann et al.		2011/0024585 A1	2/2011	Brinkdopke et al.	
7,975,976 B2 *	7/2011	Wohlford .....	F16M 11/08 248/282.1	2015/0128491 A1	5/2015	Aller et al.	
D643,317 S	8/2011	Clear et al.		2015/0158633 A1	6/2015	Aller et al.	
				2015/0164003 A1	6/2015	Aller et al.	

\* cited by examiner

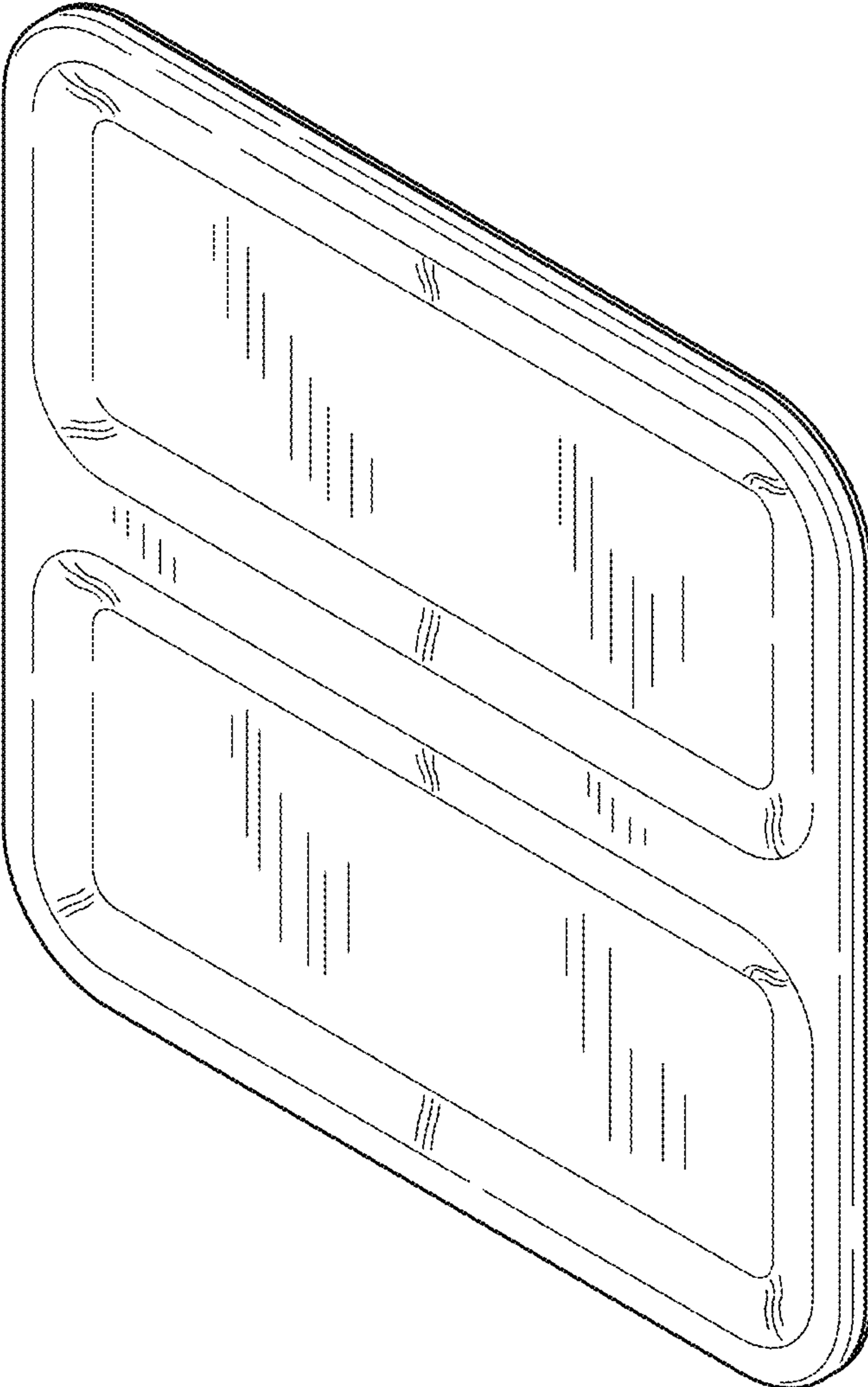


FIG.1

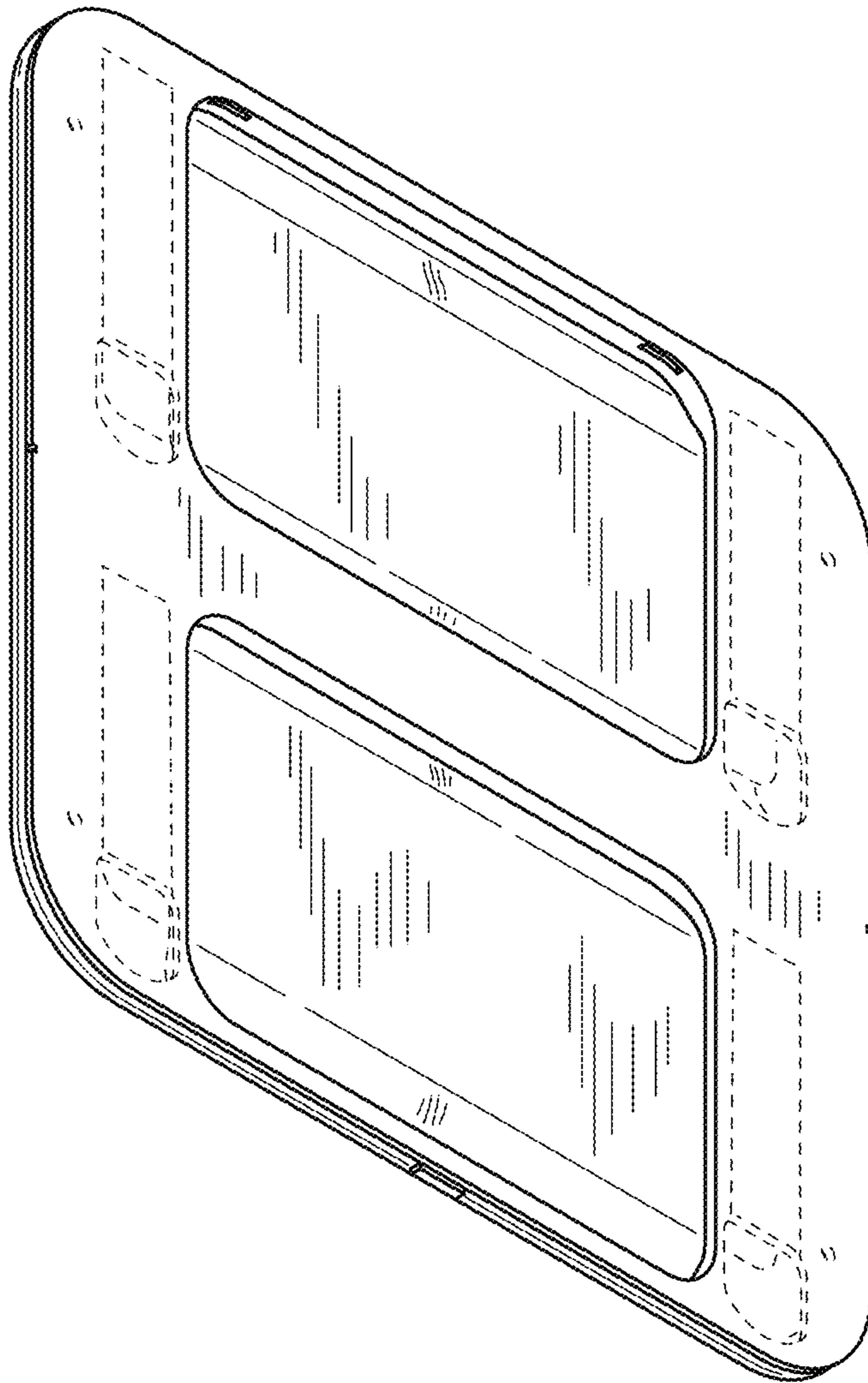


FIG.2



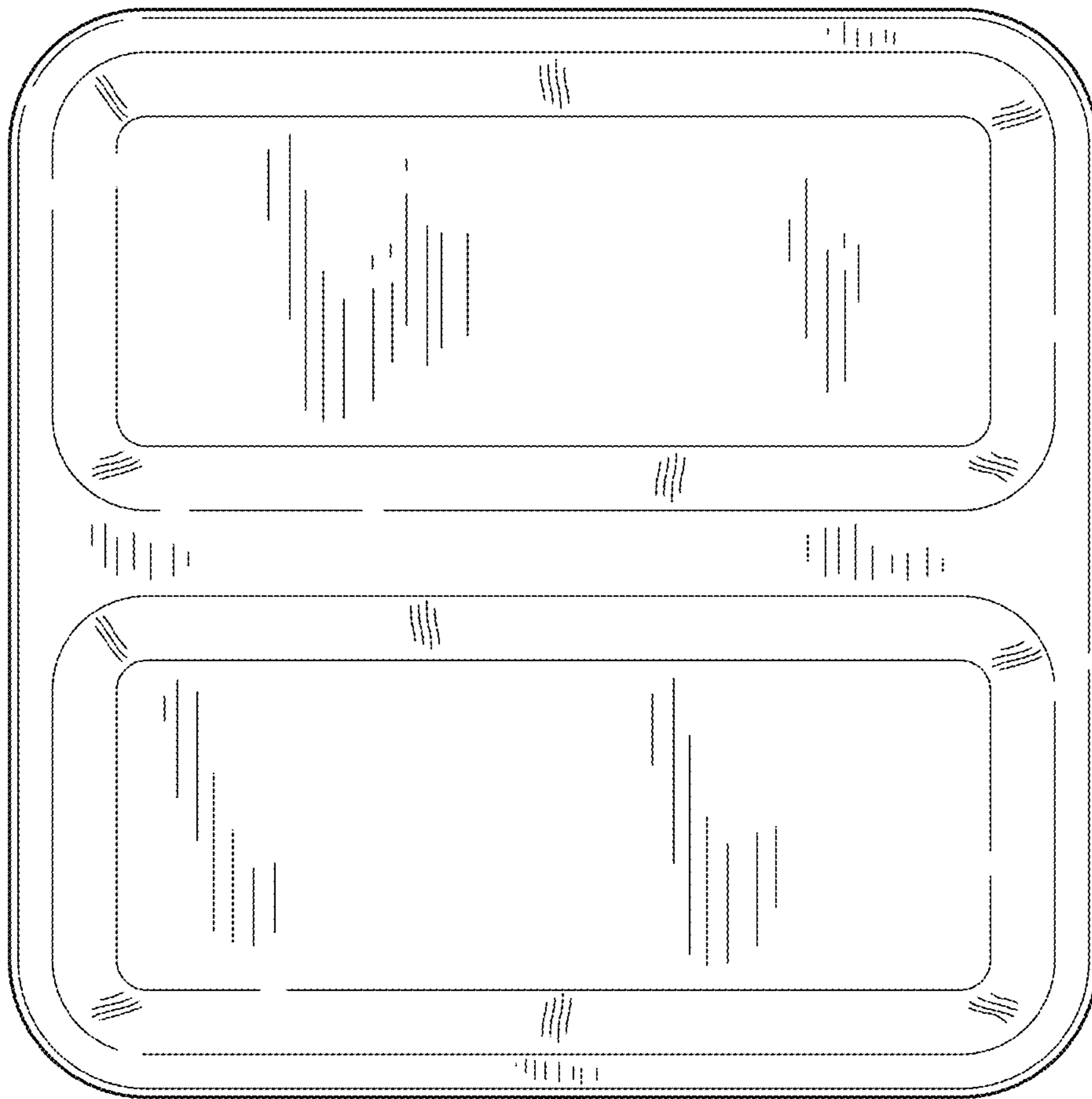


FIG.3

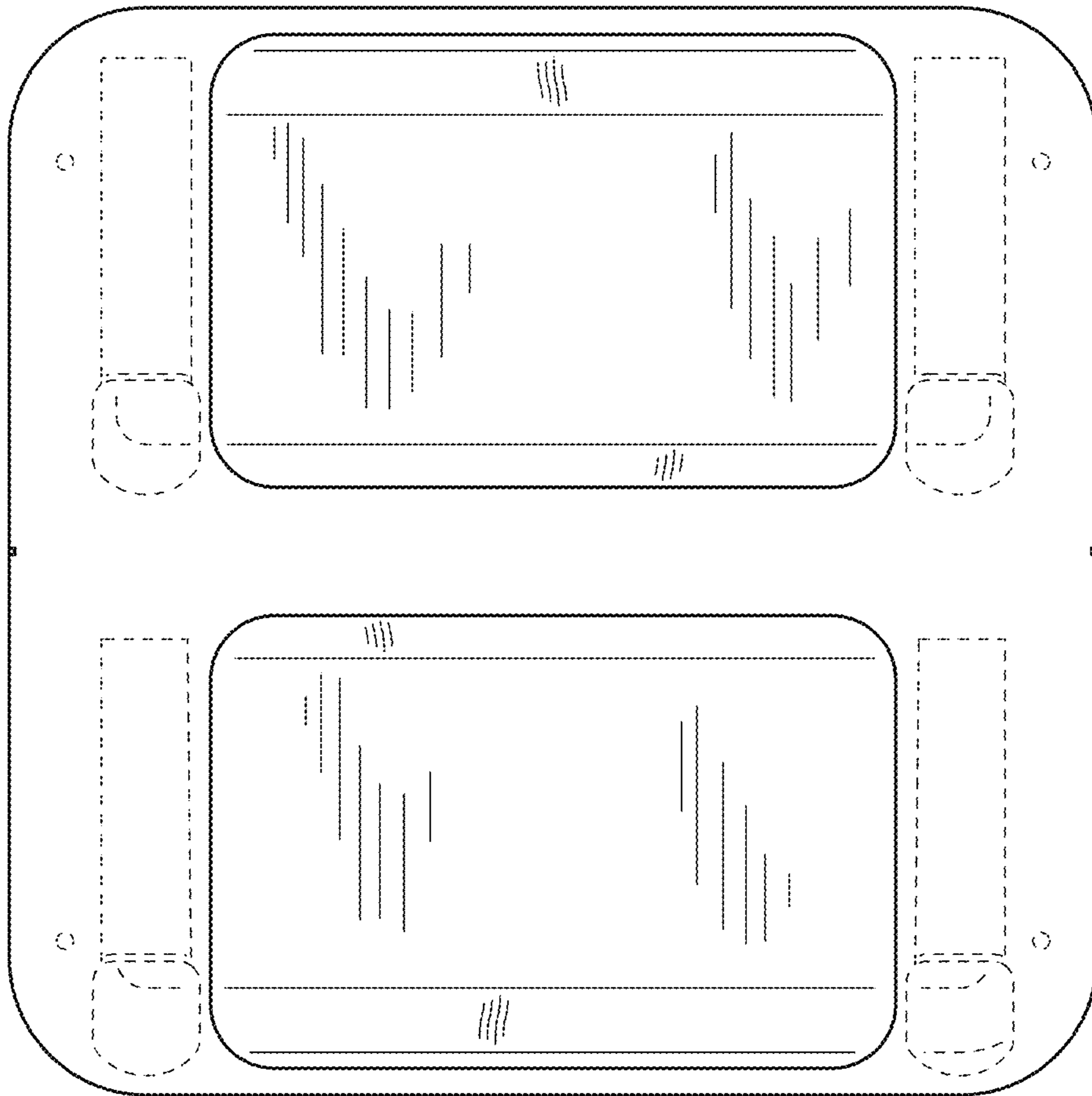


FIG. 4

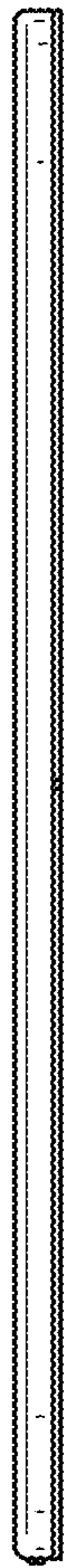


FIG.5

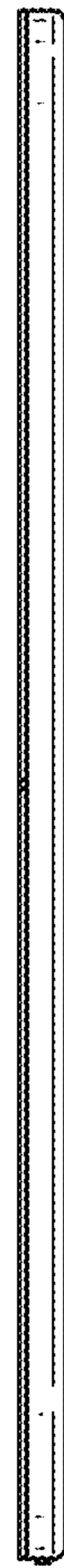


FIG.6



FIG.7

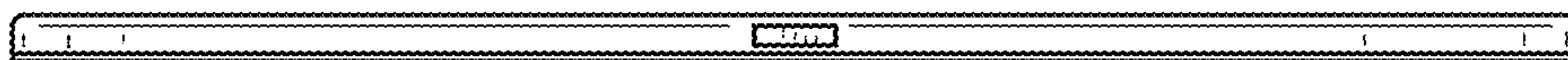


FIG.8