



US00D774872S

(12) **United States Design Patent** (10) **Patent No.:** **US D774,872 S**
Prevost et al. (45) **Date of Patent:** **** Dec. 27, 2016**

(54) **WHEEL-SECURING CLIP**

FOREIGN PATENT DOCUMENTS

(71) Applicant: **PLOMBCO INC.**,
Salaberry-de-Valleyfield (CA)

EP 1165328 B1 4/2002
EP 1302695 4/2003

(Continued)

(72) Inventors: **Jean Prevost**,
Notre-Dame-de-l'Île-Perrot (CA);
Didier-Bernard Seguin,
Salaberry-de-Valleyfield (CA); **Martin**
Lussier, Lery (CA)

OTHER PUBLICATIONS

International Search Report, dated Jul. 3, 2012, of Corresponding
PCT application No. PCT/CA2012/000210, filed Mar. 8, 2012, filed
by the applicant.

(73) Assignee: **PLOMBCO INC.**,
Salaberry-de-Valleyfield (CA)

Primary Examiner — Eric Goodman

(**) Term: **14 Years**

Assistant Examiner — Bao-Yen Nguyen

(21) Appl. No.: **29/517,224**

(74) *Attorney, Agent, or Firm* — Mathieu Audet

(22) Filed: **Feb. 11, 2015**

(57) **CLAIM**

Related U.S. Application Data

The ornamental design for a wheel-securing clip, as shown.

(62) Division of application No. 29/415,181, filed on Mar.
8, 2012, now Pat. No. Des. 737,116.

(51) **LOC (10) Cl.** **08-07**

(52) **U.S. Cl.**
USPC **D8/349**

(58) **Field of Classification Search**
USPC D8/349, 350, 353, 354, 355, 356, 359,
D8/366, 367, 373, 374, 394; D11/200,
D11/201, 206, 221; D13/152, 154, 155
CPC F16F 15/324; F16F 15/326; F16F 15/345;
B29C 45/14467
See application file for complete search history.

DESCRIPTION

FIG. 1 is a perspective view of the wheel-securing clip;
FIG. 2 is a perspective view of the wheel-securing clip;
FIG. 3 is a rear elevational view of the wheel-securing clip;
FIG. 4 is a front elevational view of the wheel-securing clip;
FIG. 5 is a right elevational view of the wheel-securing clip;
FIG. 6 is a left elevational view of the wheel-securing clip;
FIG. 7 is a top plan view of the wheel-securing clip; and,
FIG. 8 is a bottom plan view of the wheel-securing clip.
The broken lines depict portions of the article and form no
part of the claimed design.

(56) **References Cited**

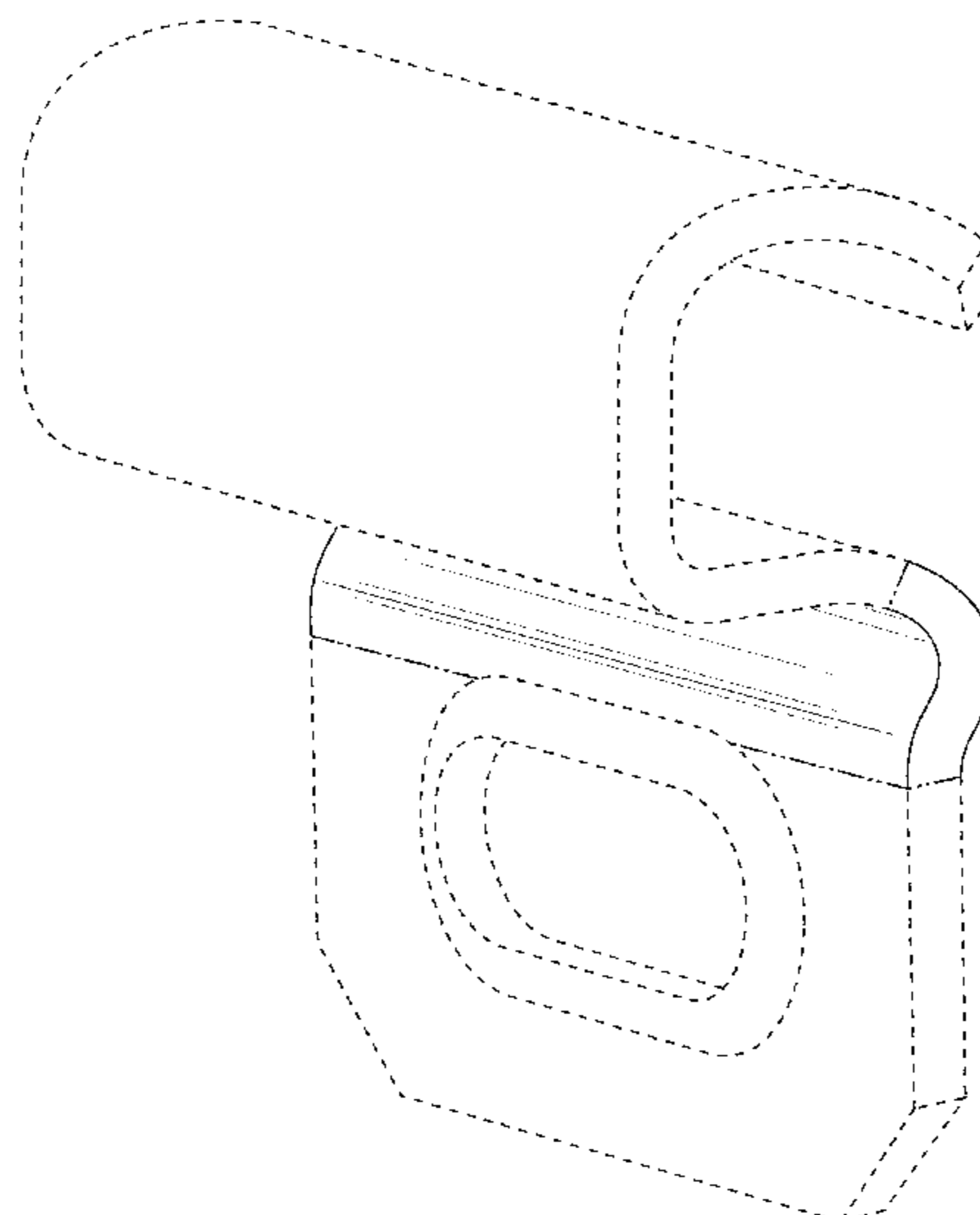
U.S. PATENT DOCUMENTS

2,061,463 A 11/1936 Hall
4,068,898 A 1/1978 Hanson
D255,869 S 7/1980 Glynn

The dot-dash-dot broken line depicts a boundary line and
forms no part of the claimed design.

(Continued)

1 Claim, 8 Drawing Sheets



(56)

References Cited

U.S. PATENT DOCUMENTS

D340,226 S 10/1993 Sachs
 D344,886 S 3/1994 Sachs
 D355,583 S 2/1995 Beauchane
 D357,400 S 4/1995 Sachs
 D387,970 S 12/1997 Enslen
 5,813,201 A 9/1998 His-Chang
 6,238,006 B1 5/2001 Monojlovic
 6,364,422 B1 4/2002 Sakaki
 6,488,341 B2 12/2002 Maruyama
 D484,783 S 1/2004 Woodhall
 6,698,845 B2 3/2004 Corte
 6,729,694 B2 5/2004 Maruyama
 6,877,996 B1 4/2005 Franks
 6,948,781 B2 9/2005 Sery
 D511,960 S 11/2005 Ogino
 D520,350 S * 5/2006 Wall D8/382
 7,055,914 B1 6/2006 Jenkins
 7,093,907 B2 8/2006 Jenkins
 D535,550 S 1/2007 Silberman
 D542,642 S 5/2007 Heindl
 7,216,938 B2 5/2007 Phillips
 7,249,804 B2 7/2007 Zank
 D559,084 S 1/2008 Foxx
 7,354,968 B2 4/2008 Nishikawa
 D574,223 S 8/2008 Wood
 D577,573 S 9/2008 Wood
 7,491,356 B2 2/2009 Heikkila
 7,566,101 B2 7/2009 Jenkins
 D606,025 S 12/2009 Cheng
 D626,826 S 11/2010 Austro
 D626,828 S 11/2010 Austro
 7,841,669 B2 11/2010 Zank
 D628,539 S 12/2010 Tezak
 D630,494 S 1/2011 Allina
 D630,495 S 1/2011 Allina
 7,883,156 B2 2/2011 Pursley
 8,066,335 B2 11/2011 Jenkins
 D681,424 S * 5/2013 Heindl D8/382
 D681,427 S * 5/2013 Heindl D8/382
 2004/0256909 A1 12/2004 Sery
 2006/0119166 A1 6/2006 Jenkins et al.
 2006/0138854 A1 6/2006 Lemoal
 2007/0120414 A1 5/2007 Jenkins
 2009/0230757 A1 9/2009 Chancharoen
 2009/0243370 A1 10/2009 Peniche et al.
 2009/0278397 A1 11/2009 Jenkins
 2011/0266862 A1 11/2011 Halle
 2012/0267941 A1 10/2012 Everhard et al.

FOREIGN PATENT DOCUMENTS

EP 1857707 11/2007
 EP 1927784 6/2008
 JP 53045801 A 4/1978
 JP 58081803 A 5/1983
 JP 60061301 A 4/1985
 JP 60061302 A 4/1985
 JP 61033301 A 2/1986
 JP 63291702 A 11/1988
 JP 1148602 A 6/1989
 JP 03272347 12/1991
 JP 3272347 A 12/1991
 JP 4203639 A 7/1992
 JP U1994063957 9/1994
 JP Y1994049951 12/1994
 JP U1995008646 2/1995
 JP 8061433 A 3/1996
 JP 10026187 A 1/1998
 JP U0003046046 2/1998
 JP 10176732 6/1998
 JP 2779484 B2 7/1998
 JP 10220532 A 8/1998
 JP U0003051017 8/1998
 JP U0003053876 11/1998
 JP 10331918 A 12/1998

JP 11013834 A 1/1999
 JP 11166595 A 6/1999
 JP U0003057629 6/1999
 JP U0003057630 6/1999
 JP Y0002596562 Y2 6/1999
 JP 11201235 A 7/1999
 JP 2933098 B2 8/1999
 JP 11210835 A 8/1999
 JP 11210836 A 8/1999
 JP 11257435 A 9/1999
 JP U0003062277 9/1999
 JP 11279415 A 10/1999
 JP 11280845 A 10/1999
 JP 11294541 A 10/1999
 JP U0003063301 10/1999
 JP U0003065011 1/2000
 JP 2000035087 A 2/2000
 JP 2000046120 A 2/2000
 JP U0003066654 3/2000
 JP 3065526 B2 7/2000
 JP 2000314453 A 11/2000
 JP 2001012554 A 1/2001
 JP 2001041290 A 2/2001
 JP 2001080886 A 3/2001
 JP 2001099234 A 4/2001
 JP 2001132797 A 5/2001
 JP 2001221289 A 8/2001
 JP 2001221290 A 8/2001
 JP 2001227590 A 8/2001
 JP 2001227591 A 8/2001
 JP 2001234980 A 8/2001
 JP 2001280423 A 10/2001
 JP 2001343048 A 12/2001
 JP 2002054686 A 2/2002
 JP 2002061713 A 2/2002
 JP 2002061714 A 2/2002
 JP 2002098194 4/2002
 JP 2002174299 A 6/2002
 JP 2002257197 A 9/2002
 JP 3333914 B2 10/2002
 JP 2002286097 A 10/2002
 JP 2003113900 A 4/2003
 JP 3503007 B2 3/2004
 JP 2004084715 A 3/2004
 JP 2004092685 A 3/2004
 JP 3569663 B2 9/2004
 JP 3663066 B2 6/2005
 JP 3677912 B2 8/2005
 JP U0003112148 8/2005
 JP 2005291262 A 10/2005
 JP 3772942 B2 5/2006
 JP 2006131027 A 5/2006
 JP 3783134 B2 6/2006
 JP 2006153079 A 6/2006
 JP 2006175910 A 7/2006
 JP 3847974 B2 11/2006
 JP 3893478 B2 3/2007
 JP 3897905 B2 3/2007
 JP 3909404 B2 4/2007
 JP 3918012 B1 5/2007
 JP 3918013 B1 5/2007
 JP 3922666 B2 5/2007
 JP 2007162860 A 6/2007
 JP 2008049842 A 3/2008
 JP 2008057649 A 3/2008
 JP 4119334 B2 7/2008
 JP 4149900 B2 9/2008
 JP 4394009 B2 1/2010
 JP U0003160651 6/2010
 JP 2011052779 A 3/2011
 JP 4680729 B2 5/2011
 JP 2011094735 A 5/2011
 WO WO 00/61391 10/2000
 WO WO02/086347 10/2002
 WO WO2004/025139 3/2004
 WO WO2007/114690 10/2007
 WO WO2008/107667 9/2008

* cited by examiner

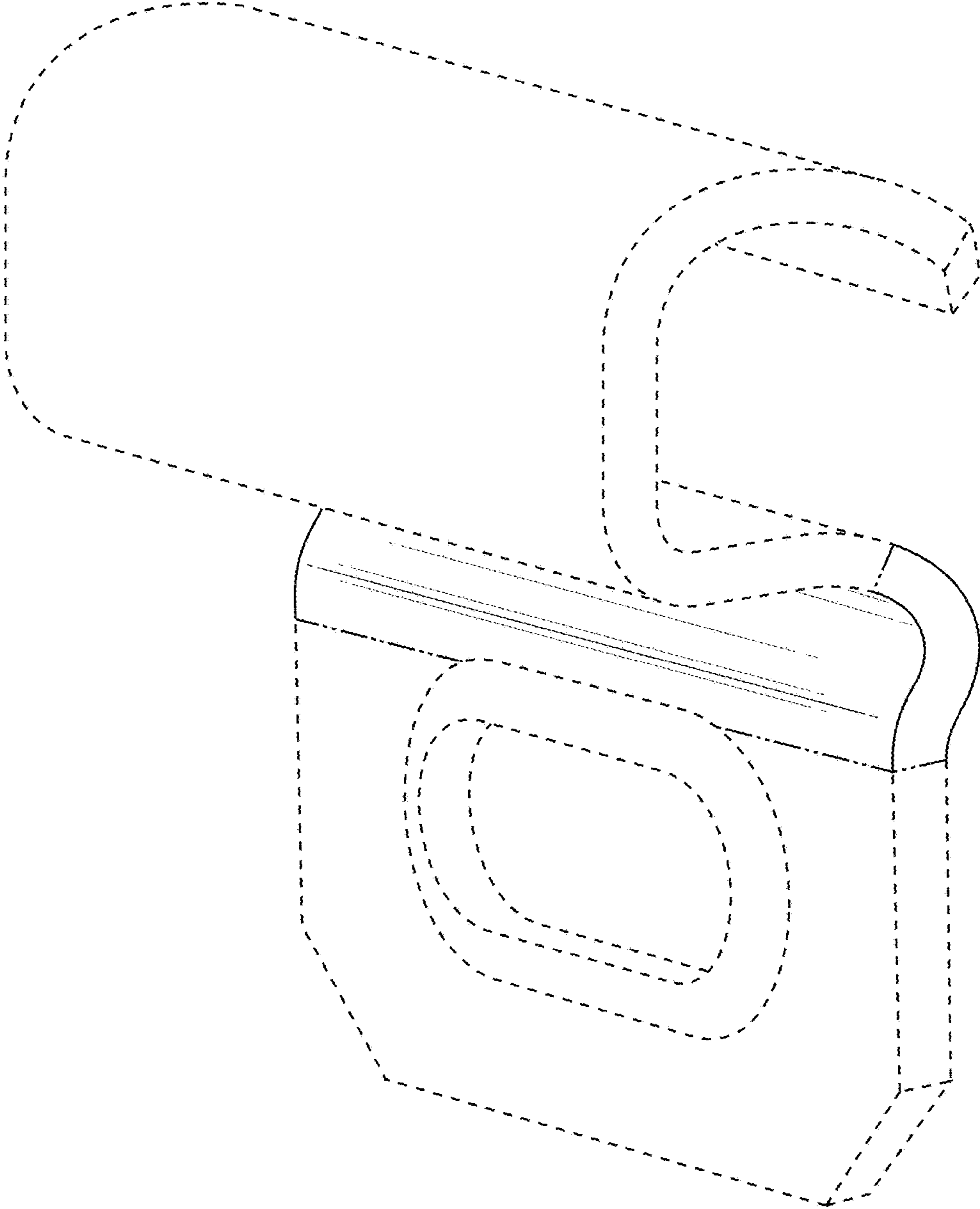


FIG. 1

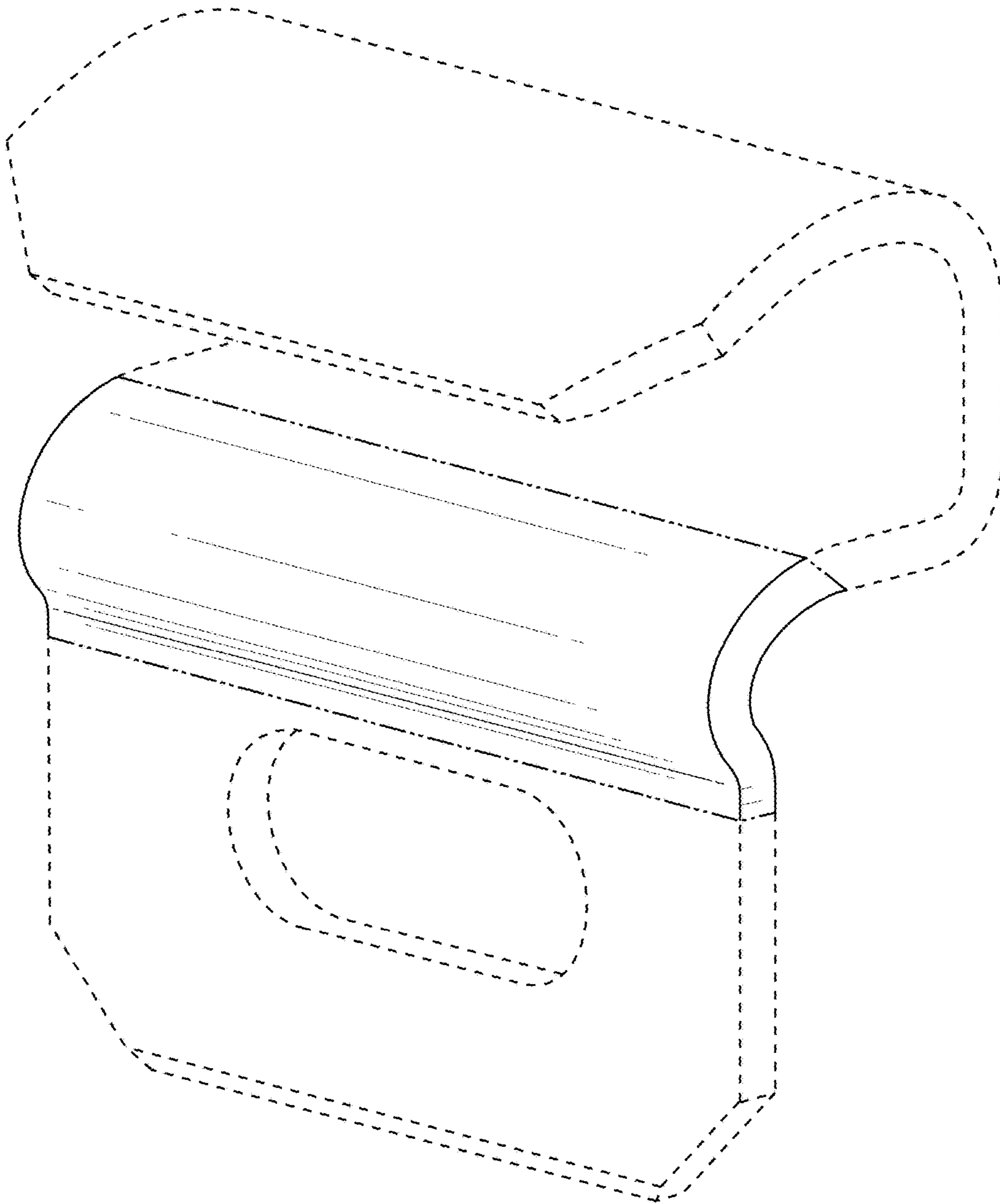


FIG. 2

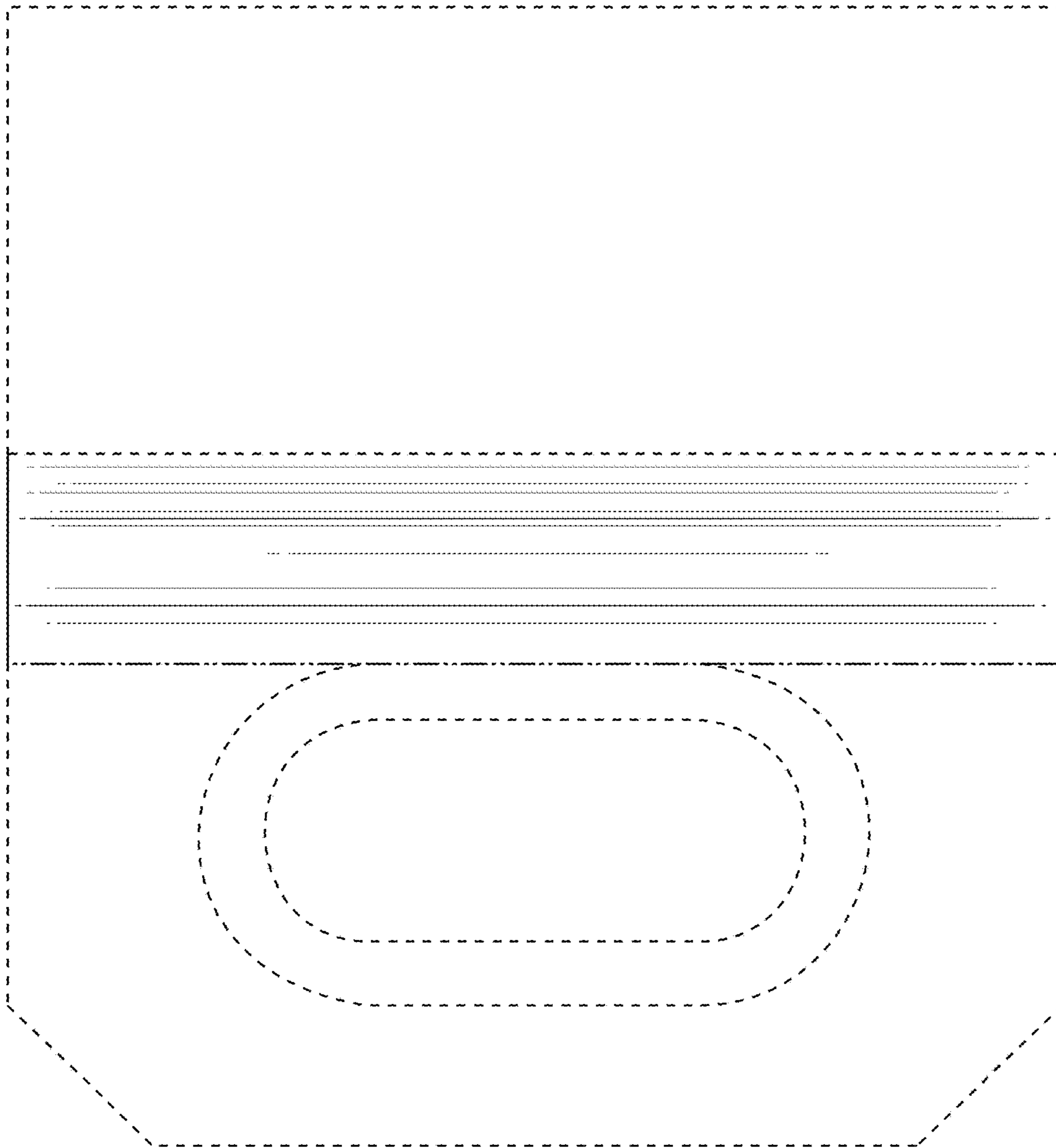


FIG. 3

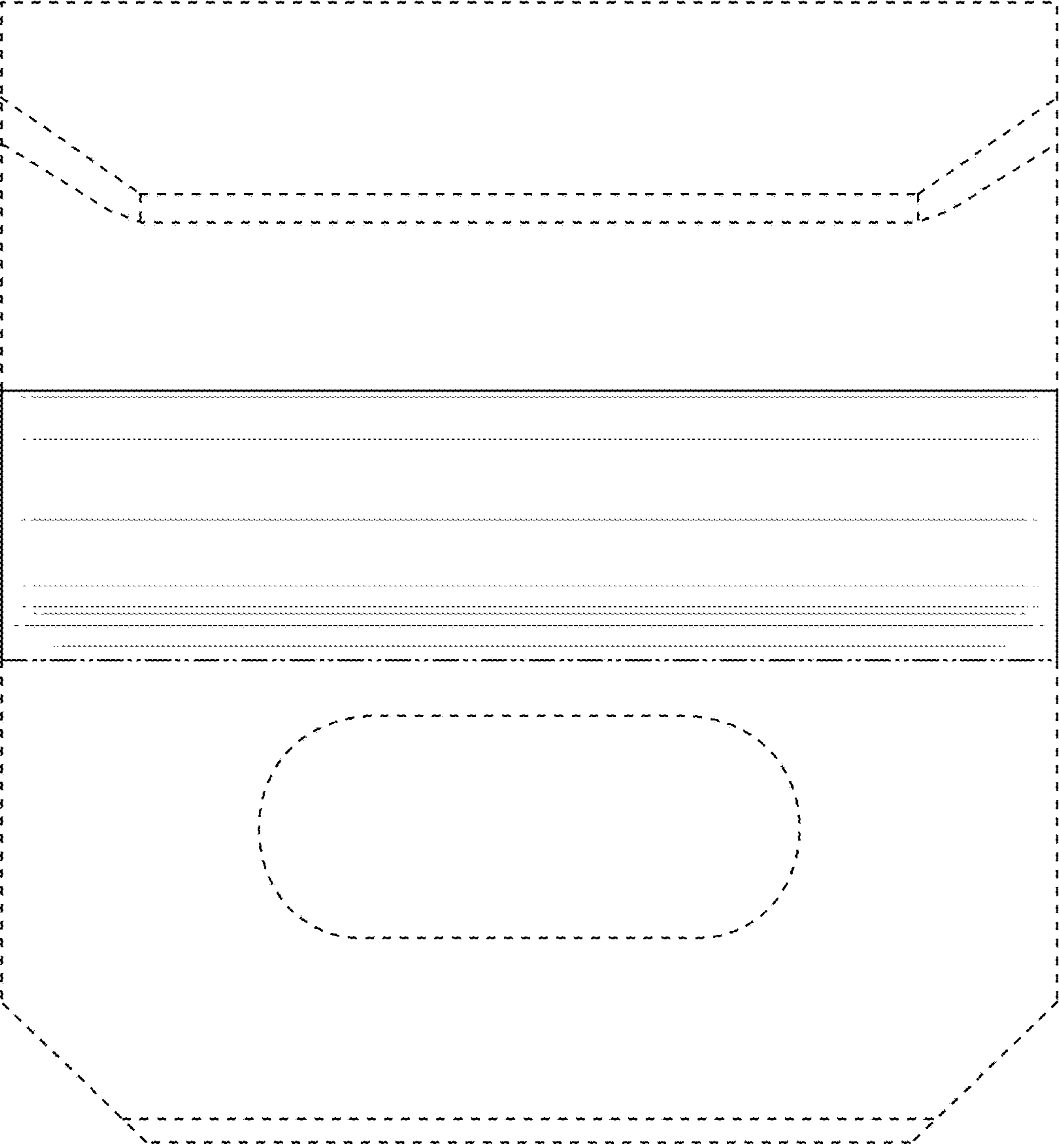


FIG. 4

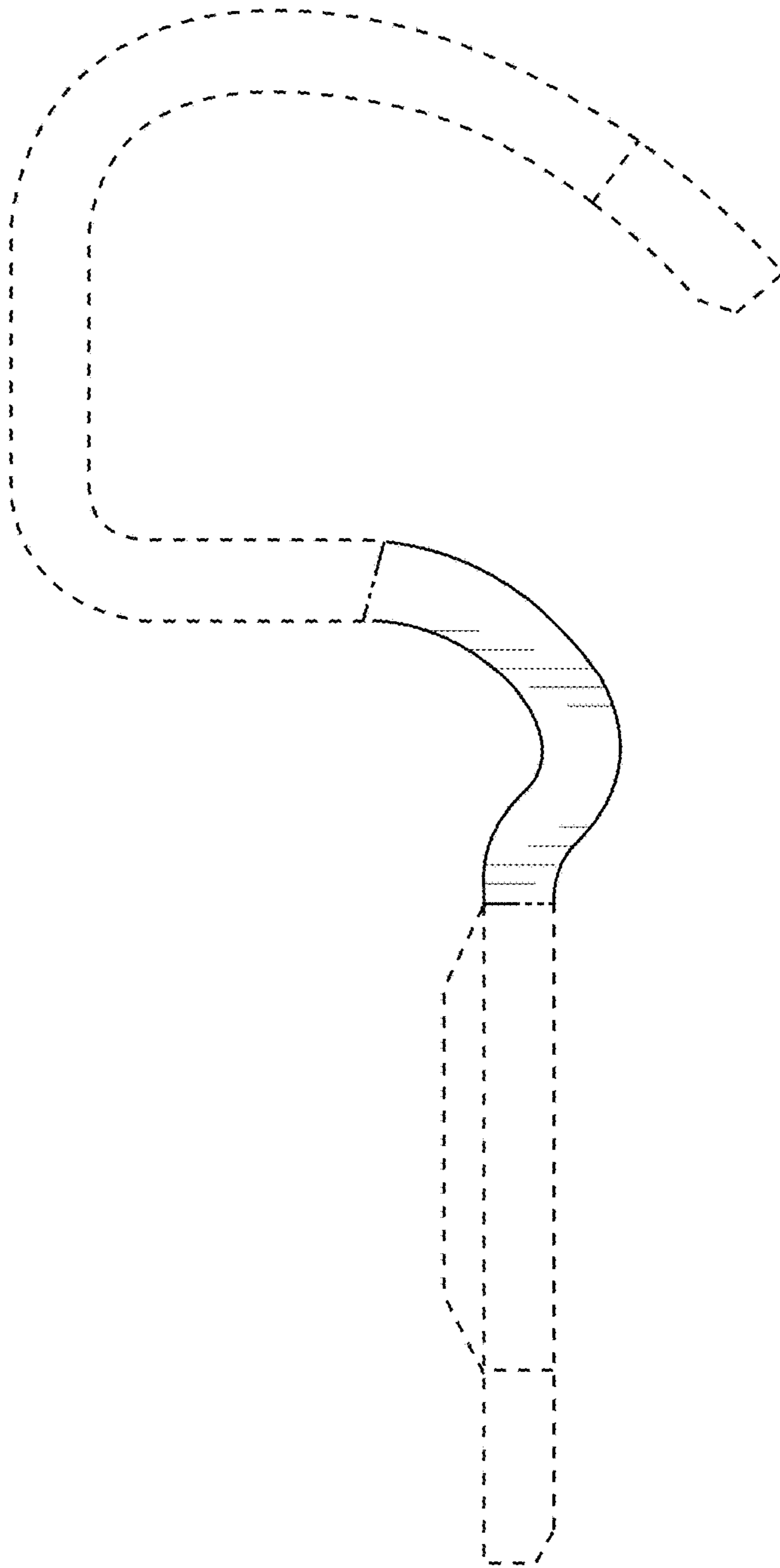


FIG. 5

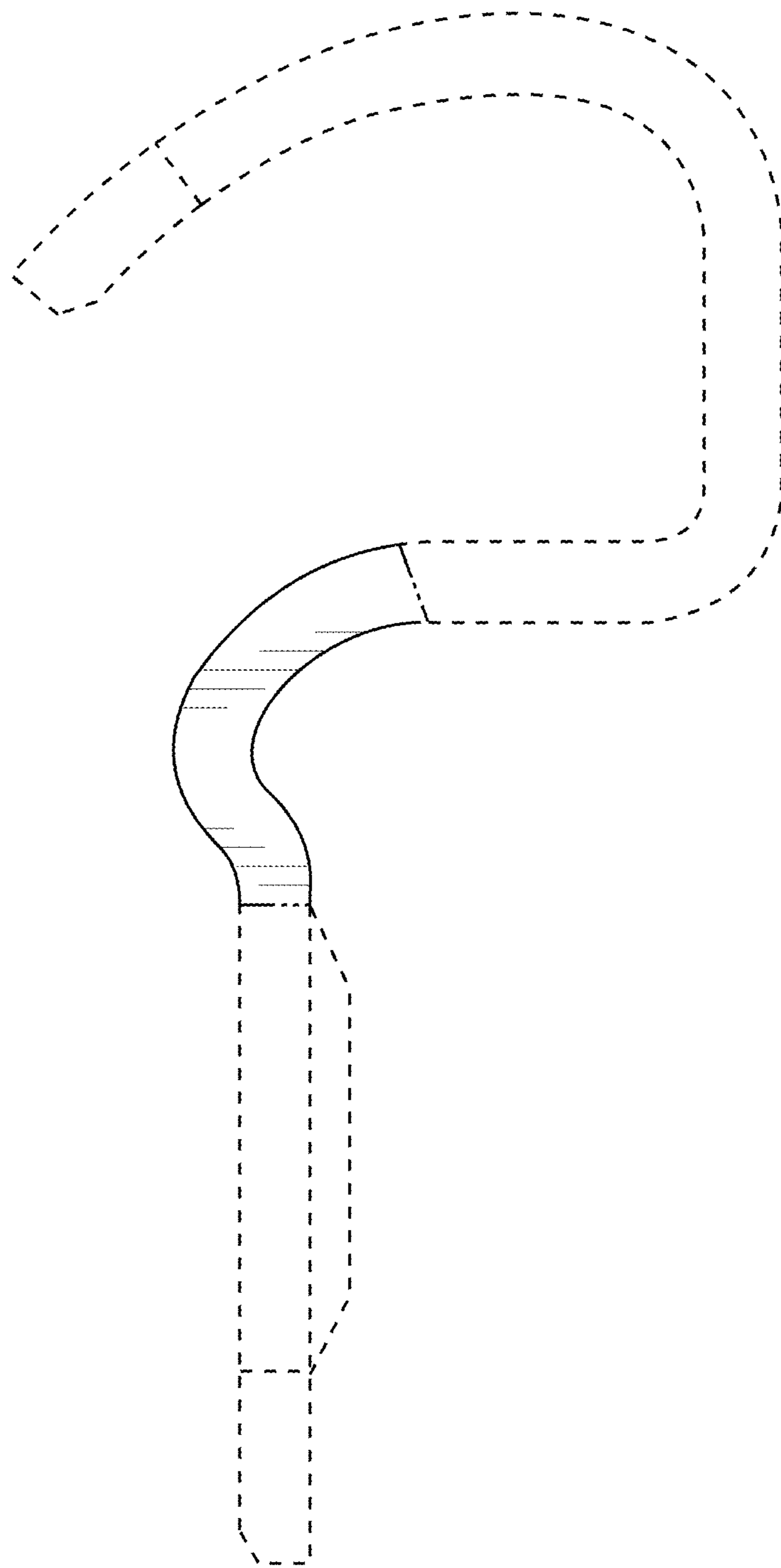


FIG. 6

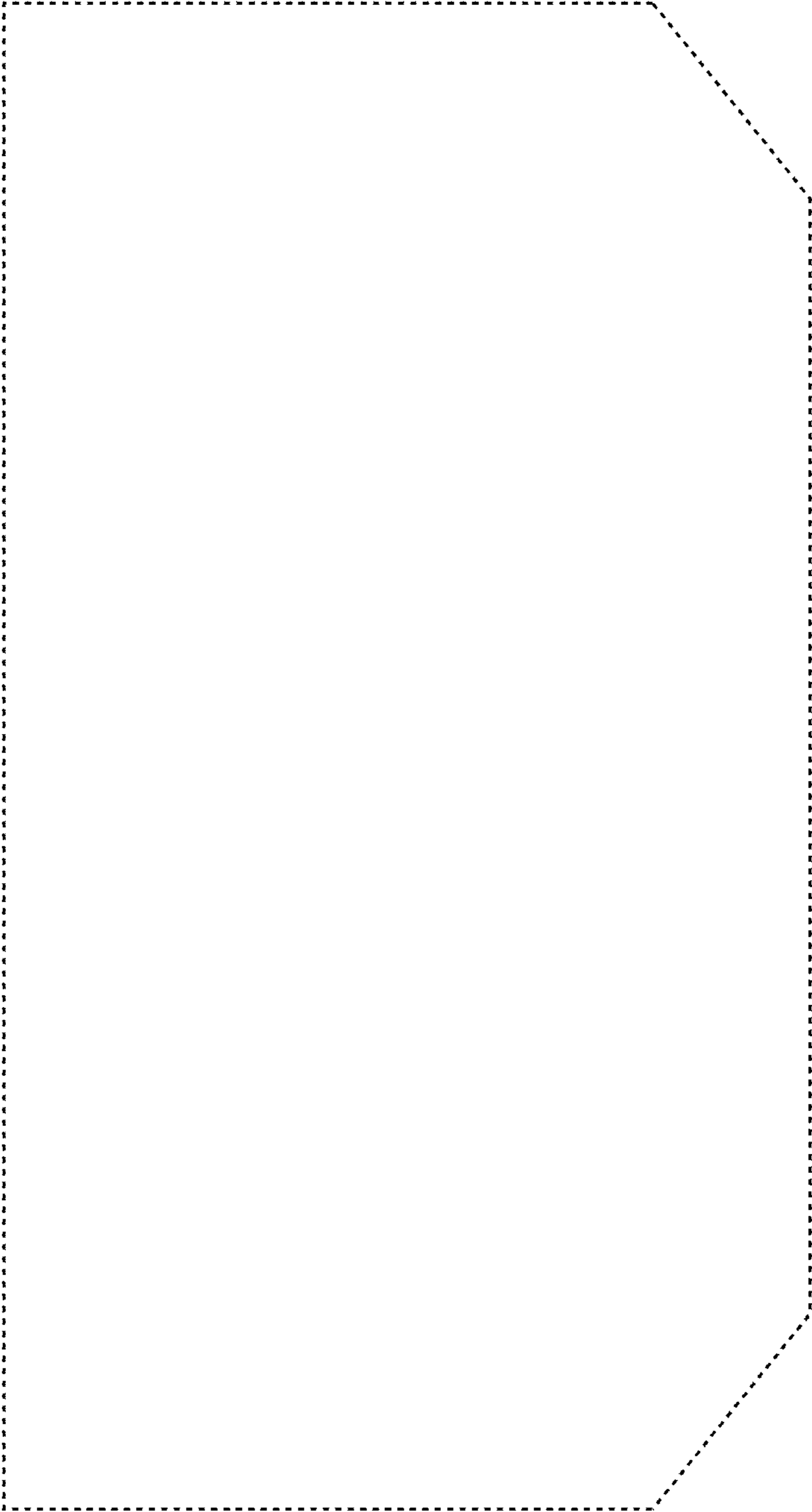


FIG. 7

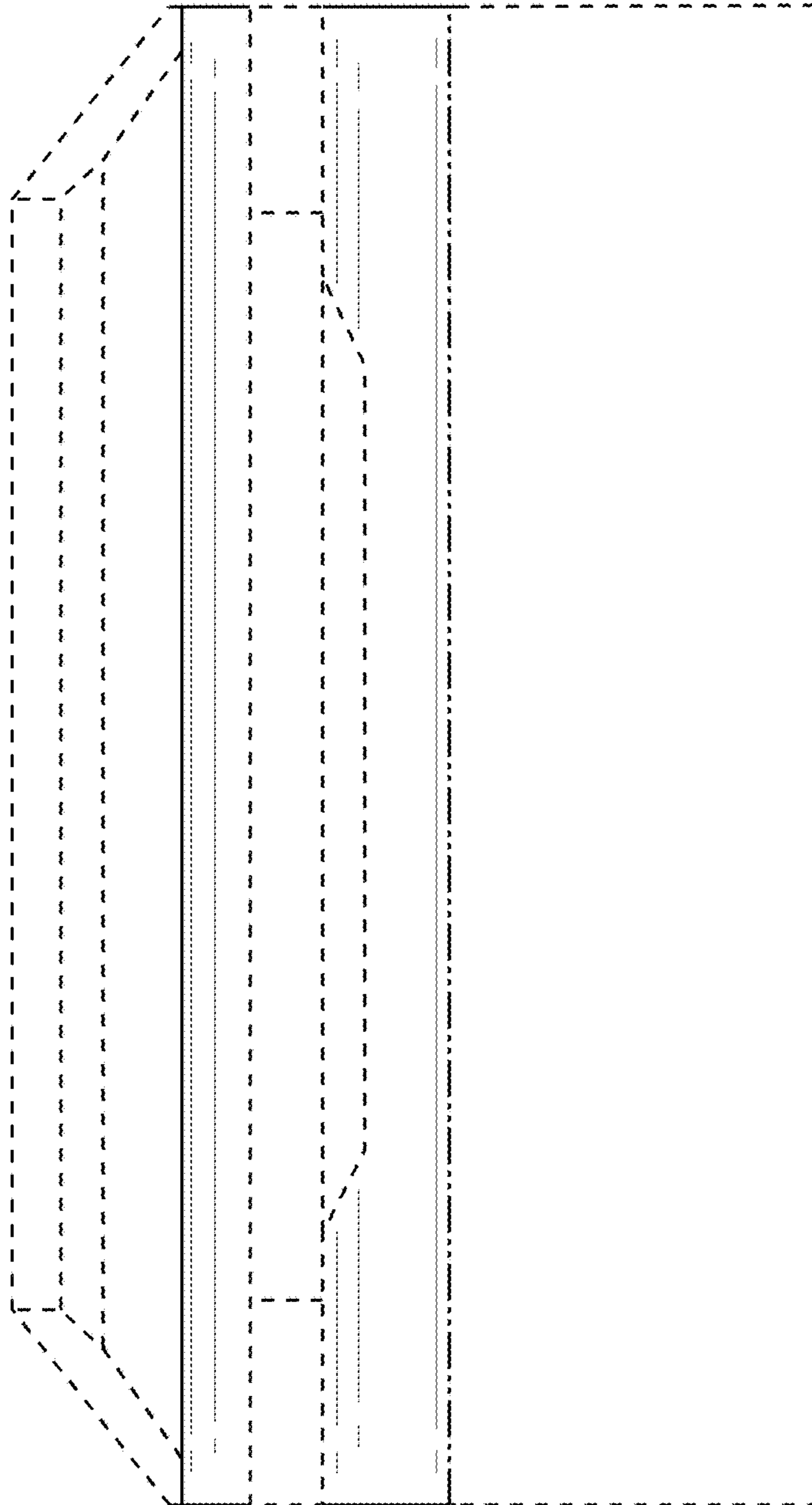


FIG. 8