



US00D774867S

(12) **United States Design Patent**
Panier

(10) **Patent No.:** **US D774,867 S**

(45) **Date of Patent:** **** Dec. 27, 2016**

(54) **SCREWDRIVER HANDLE**

(71) Applicant: **Stanley Works (Europe) GmbH,**
Dubendorf (CH)

(72) Inventor: **Christophe Panier,** Besancon (FR)

(73) Assignee: **Stanley Works (Europe) GmbH,**
Duebendorf (CH)

(**) Term: **14 Years**

(21) Appl. No.: **29/522,814**

(22) Filed: **Apr. 2, 2015**

(30) **Foreign Application Priority Data**

Oct. 4, 2014 (EM) 001422323-0001

(51) **LOC (10) Cl.** **08-04**

(52) **U.S. Cl.**
USPC **D8/82**

(58) **Field of Classification Search**
USPC D8/14, 51, 30, 82, 83, 84, 85, 97, 107
CPC B25B 15/00; B25B 15/02; B25G 1/005;
B25G 1/063
See application file for complete search history.

(56) **References Cited**

U.S. PATENT DOCUMENTS

D432,382 S * 10/2000 Hsu D8/82
D448,645 S * 10/2001 Lin D8/107

D477,518 S * 7/2003 Hu D8/107
D484,767 S * 1/2004 Hsu D8/82
D508,192 S * 8/2005 Wang D8/82
D538,129 S * 3/2007 Jansson D8/82
D600,524 S * 9/2009 Lai D8/83
D658,466 S * 5/2012 Phill D8/107
D722,256 S * 2/2015 Kita D8/107

* cited by examiner

Primary Examiner — Phillip S Hyder

(74) *Attorney, Agent, or Firm* — Caeden Drayton; Adan Ayala

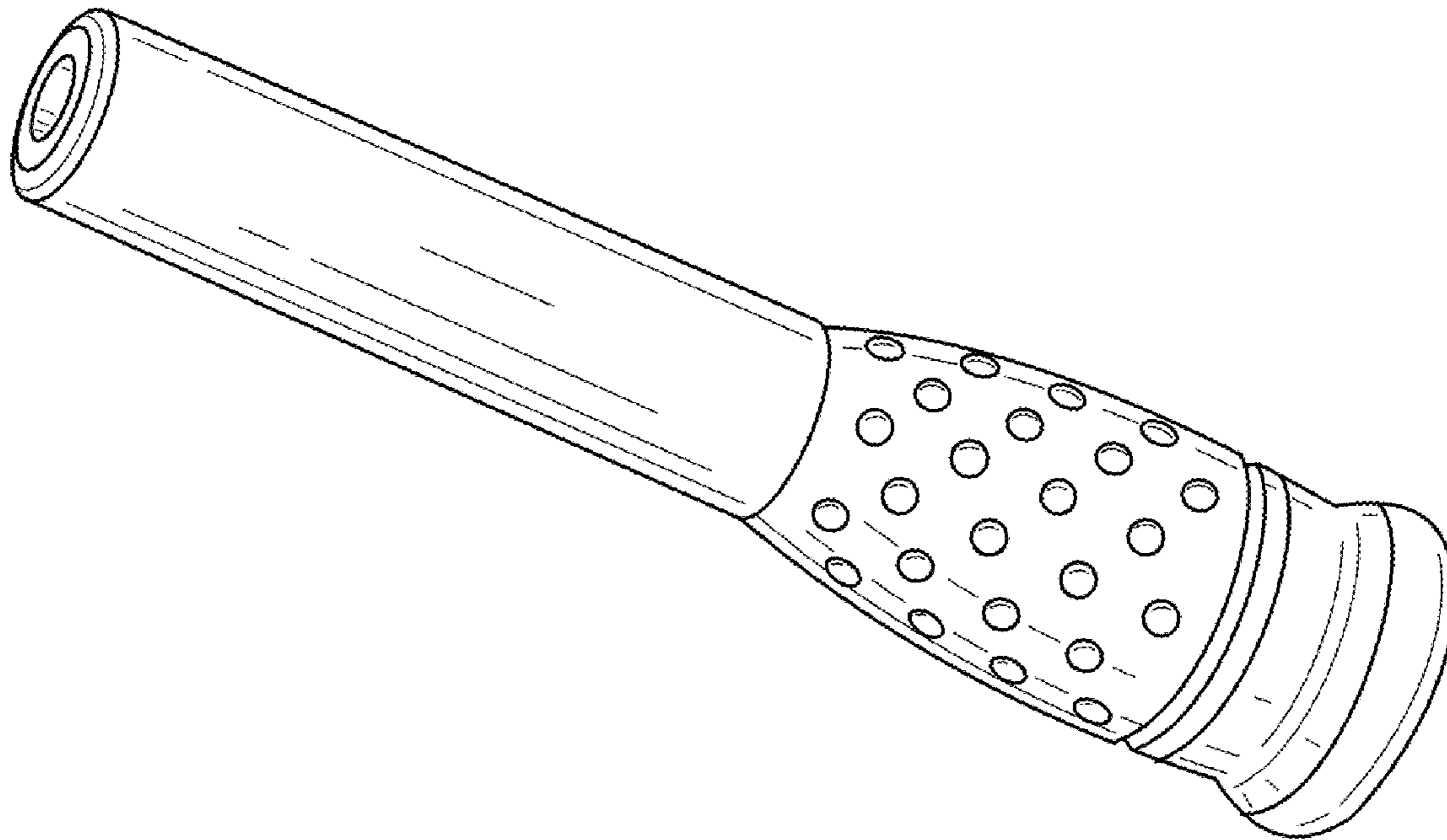
(57) **CLAIM**

The ornamental design for a screwdriver handle, as shown and described.

DESCRIPTION

FIG. 1 is a perspective view of a screwdriver handle showing a new design;
FIG. 2 is a front view thereof;
FIG. 3 is a back view thereof;
FIG. 4 is a right side view thereof;
FIG. 5 is a left side view thereof;
FIG. 6 is a top view thereof; and,
FIG. 7 is the bottom view thereof.

1 Claim, 3 Drawing Sheets



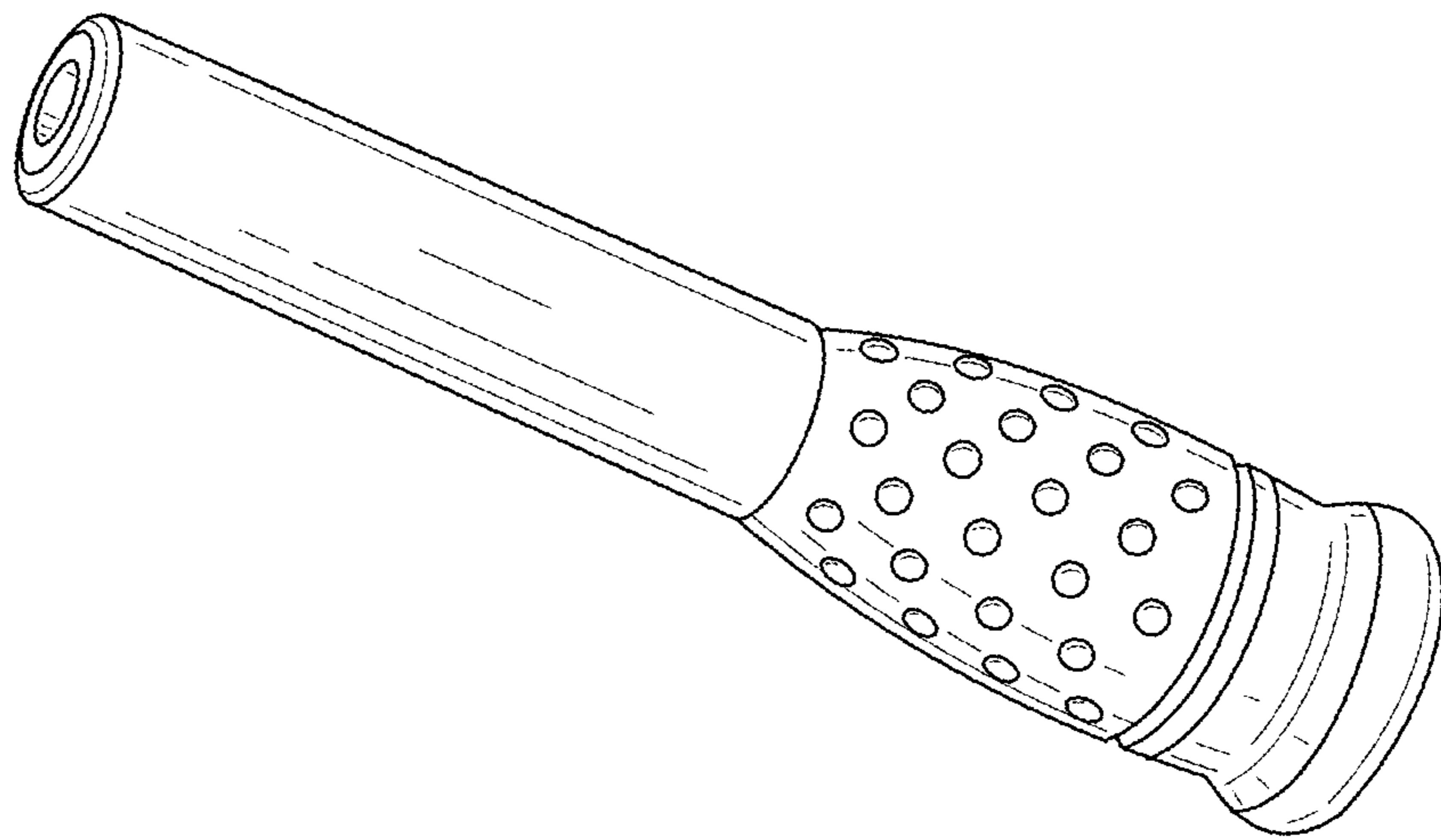


FIG. 1

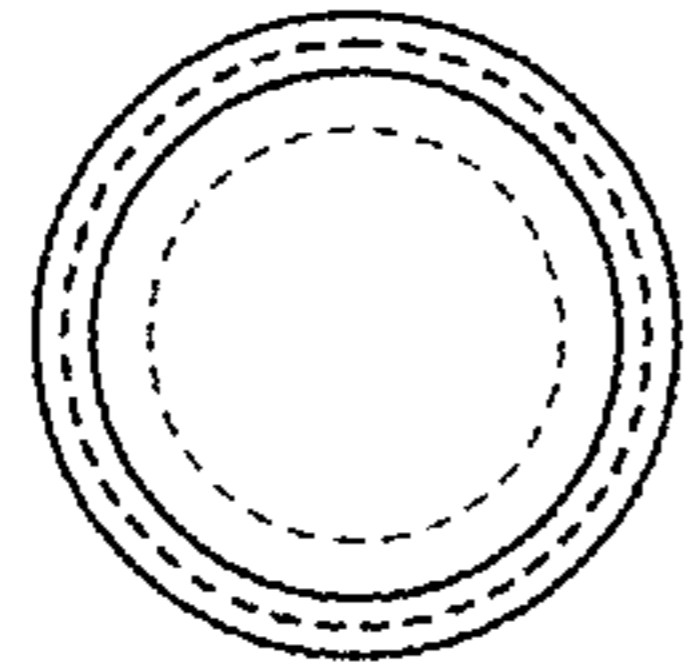


FIG. 2

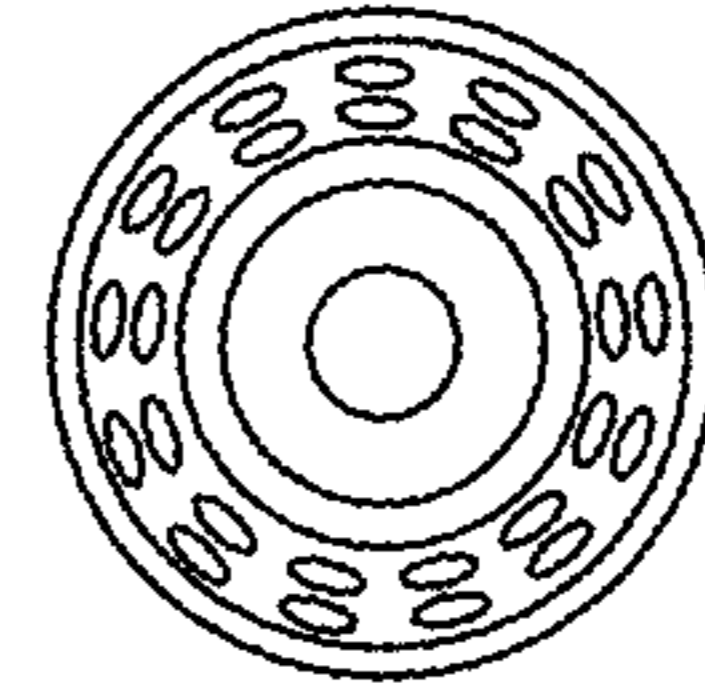


FIG. 3

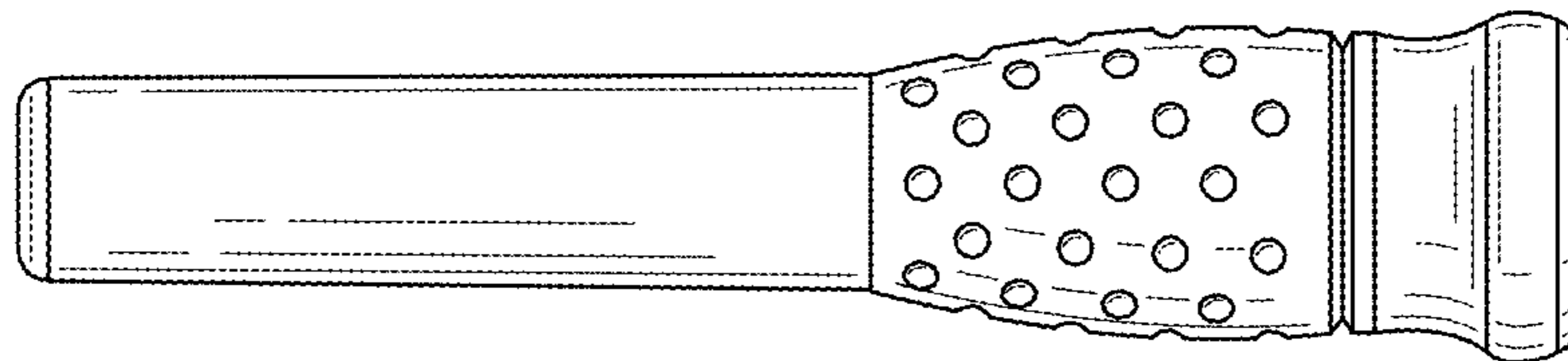


FIG. 4

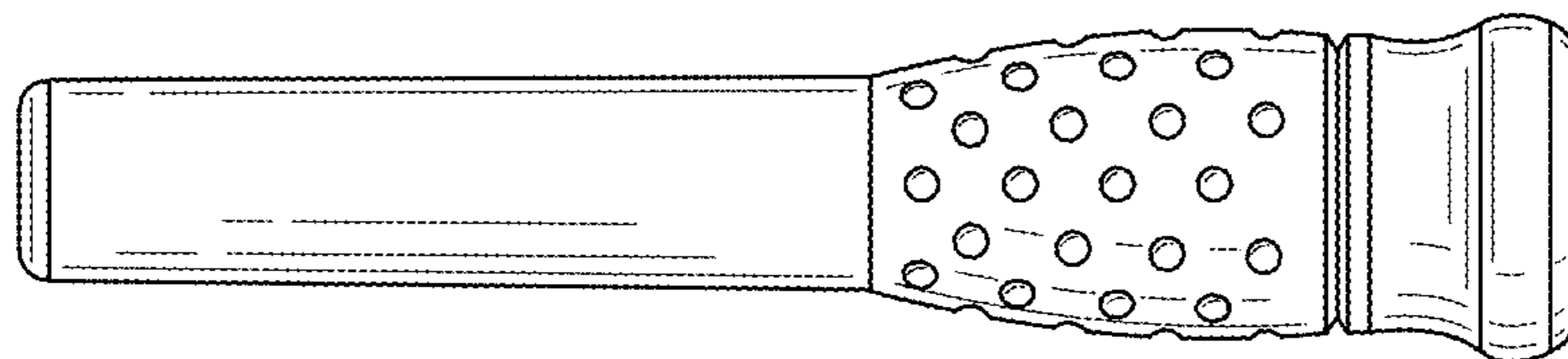


FIG. 5

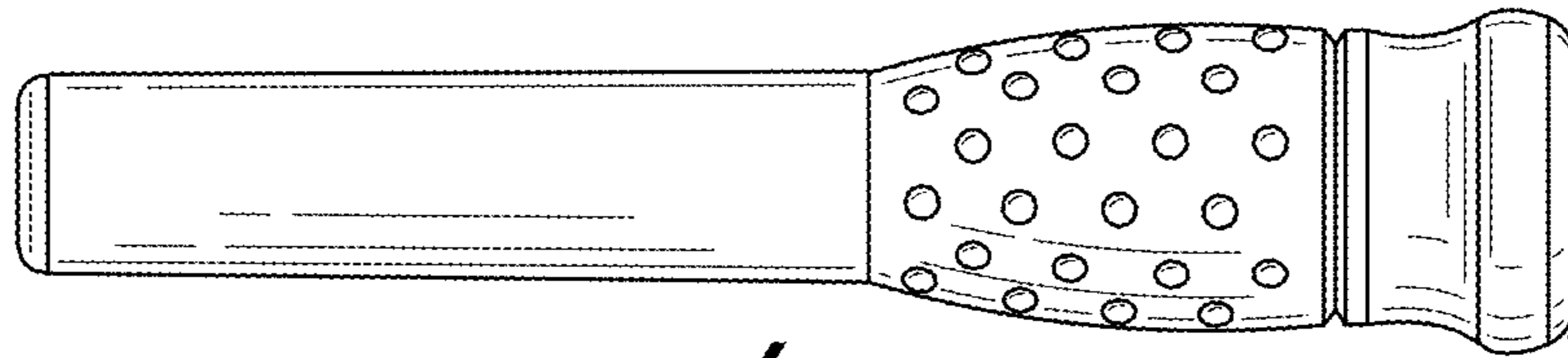


FIG. 6

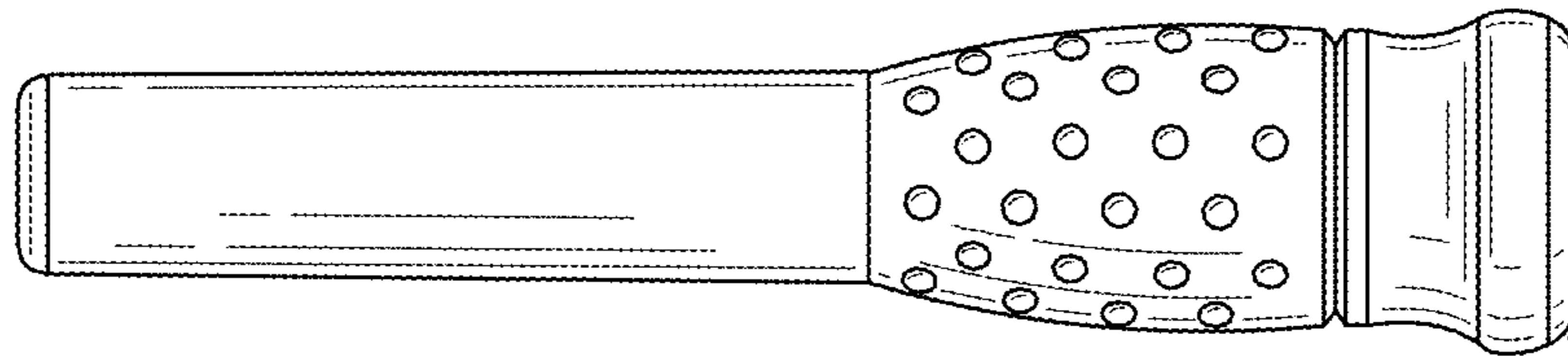


FIG. 7