



US00D774864S

(12) **United States Design Patent** (10) **Patent No.:** **US D774,864 S**
Uematsu et al. (45) **Date of Patent:** **** Dec. 27, 2016**

(54) **DRILL DRIVER**
(71) Applicant: **Panasonic Intellectual Property Management Co., Ltd., Osaka (JP)**
(72) Inventors: **Kazuma Uematsu, Kyoto (JP); Satoshi Fujii, Osaka (JP)**
(73) Assignee: **Panasonic Intellectual Property Management Co., Ltd., Osaka (JP)**

D536,944 S * 2/2007 Tsai D8/68
D556,002 S * 11/2007 Ino D8/68
D574,688 S * 8/2008 Yamamoto D8/68
D628,454 S * 12/2010 Misaki D8/68
D642,037 S * 7/2011 Miller D8/68
D646,947 S * 10/2011 Lopano D8/68
D670,989 S * 11/2012 Kawase D8/61
D675,500 S * 2/2013 Taniguchi D8/68
D678,025 S * 3/2013 Naksen D8/68
D678,744 S * 3/2013 Aoki D8/68

(Continued)

(**) Term: **15 Years**

OTHER PUBLICATIONS

(21) Appl. No.: **29/538,968**

Neundorf, Matt. "No Strings Attached: Best Cordless Power Tool Combo Kits." Gear Patrol., Jan. 8, 2014 [online], [retrieved on Aug. 4, 2016]. Retrieved from the Internet <URL: <http://gearpatrol.com/2014/01/08/round-best-cordless-power-tool-combo-kits/>>.*

(22) Filed: **Sep. 9, 2015**

(Continued)

(30) **Foreign Application Priority Data**

Mar. 18, 2015 (JP) 2015-005747

Primary Examiner — Darlington Ly

(51) **LOC (10) Cl.** **08-01**

(74) *Attorney, Agent, or Firm* — Panasonic IP Management; Kerry S. Culpepper

(52) **U.S. Cl.**
USPC **D8/68**

(57) **CLAIM**

(58) **Field of Classification Search**
USPC ... D8/61, 67, 68; 81/57.4, 489; 173/48, 109, 173/170, 178, 217; 408/124, 125; 362/119; 475/149

We claim the ornamental design for a drill driver, as shown and described.

CPC B62D 23/005; B62D 29/00; B62D 29/043; B62D 31/00; B62D 33/046; B62D 35/00; B62D 35/001; B60Q 1/0005

DESCRIPTION

See application file for complete search history.

FIG. 1 is a front perspective view of a drill driver of the present invention;
FIG. 2 is a rear perspective view thereof;
FIG. 3 is a front view thereof;
FIG. 4 is a rear view thereof;
FIG. 5 is a first side view thereof;
FIG. 6 is a second side view thereof;
FIG. 7 is a top view thereof; and,
FIG. 8 is a bottom view thereof.

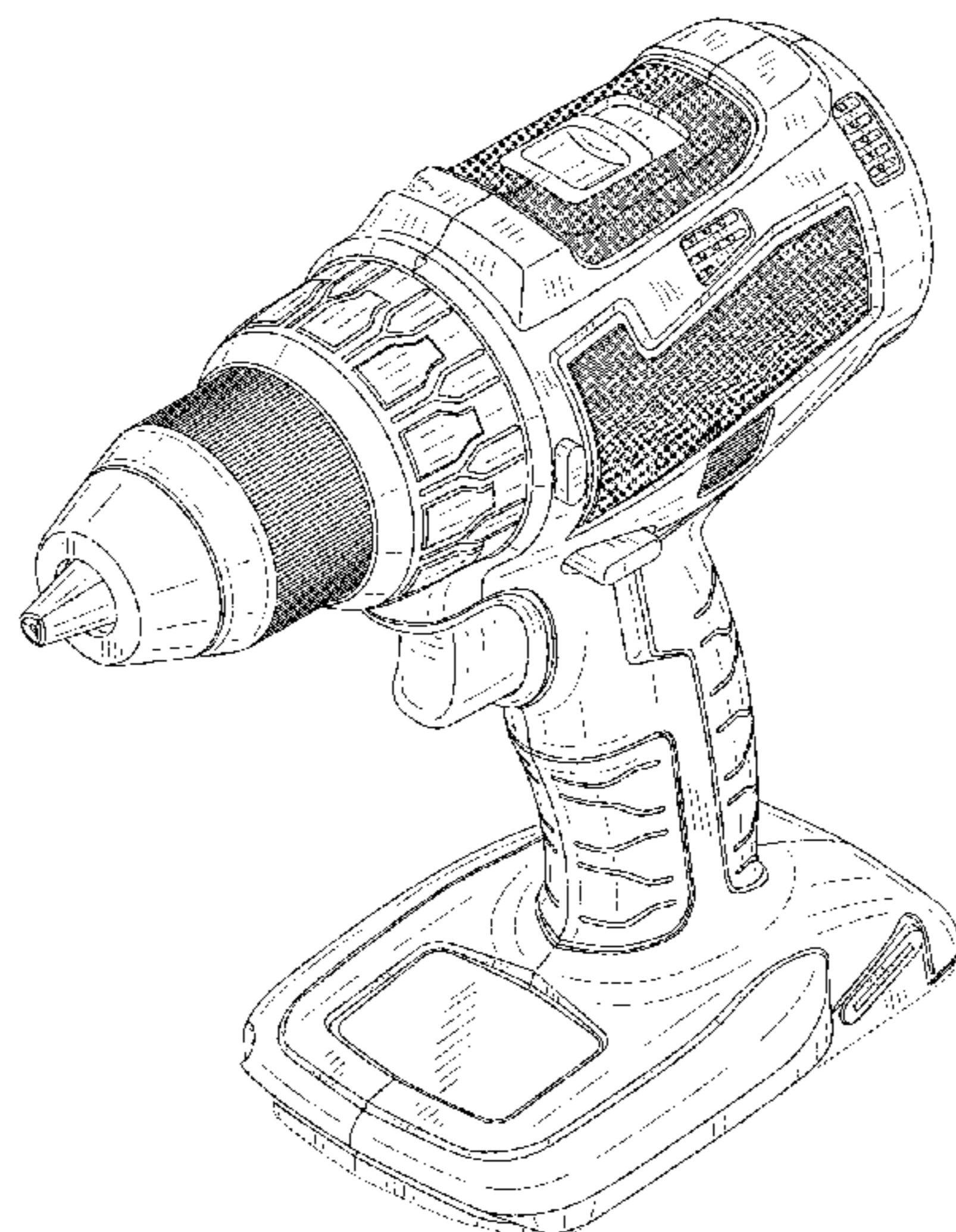
(56) **References Cited**

U.S. PATENT DOCUMENTS

The broken lines in the drawings illustrate portions of the drill driver that forms no part of the claimed design.

D466,777 S * 12/2002 Watson D8/68
D466,779 S * 12/2002 Shibata D8/68
D466,781 S * 12/2002 Matsuoka D8/68
D508,643 S * 8/2005 Concari D8/68
D515,377 S * 2/2006 Chung D8/68
D525,848 S * 8/2006 Kokawa D8/68
D527,971 S * 9/2006 Kokawa D8/68

1 Claim, 8 Drawing Sheets



(56)

References Cited

U.S. PATENT DOCUMENTS

D679,161	S	*	4/2013	Kawase	D8/61
D684,028	S	*	6/2013	Costoli	173/90
D685,245	S	*	7/2013	Tirone	D8/68
D700,821	S	*	3/2014	Tschopp	D8/68
D708,496	S	*	7/2014	Zhou	D8/68
2015/0041164	A1	*	2/2015	Sergyeyenko	B25B 21/008 173/1

OTHER PUBLICATIONS

Deutsch, Stuart. "Best Cordless Drills 2014 Edition." Tool Guyd., Jun. 11, 2014 [online], [retrieved on Aug. 4, 2016]. Retrieved from the Internet <URL: <http://toolguyd.com/best-cordless-drills-2014-edition/>>.*

Berendohn, Roy. "The Top 20-Volt Drill/Drivers, Tested." Popular Mechanics., Jun. 12, 2014 [online], [retrieved on Aug. 4, 2016]. Retrieved from the Internet <URL: <http://www.popularmechanics.com/home/tools/reviews/g1540/the-top-20v-drill-drivers-tested/>>.*

DIY Hubby. "Cordless Drill Reviews." The DIY Hubby., Jan. 2, 2016 [online], [retrieved on Aug. 4, 2016]. Retrieved from the Internet <URL: <http://www.thediylhubby.com/cordless-drill-reviews/>>.*

* cited by examiner

FIG. 1

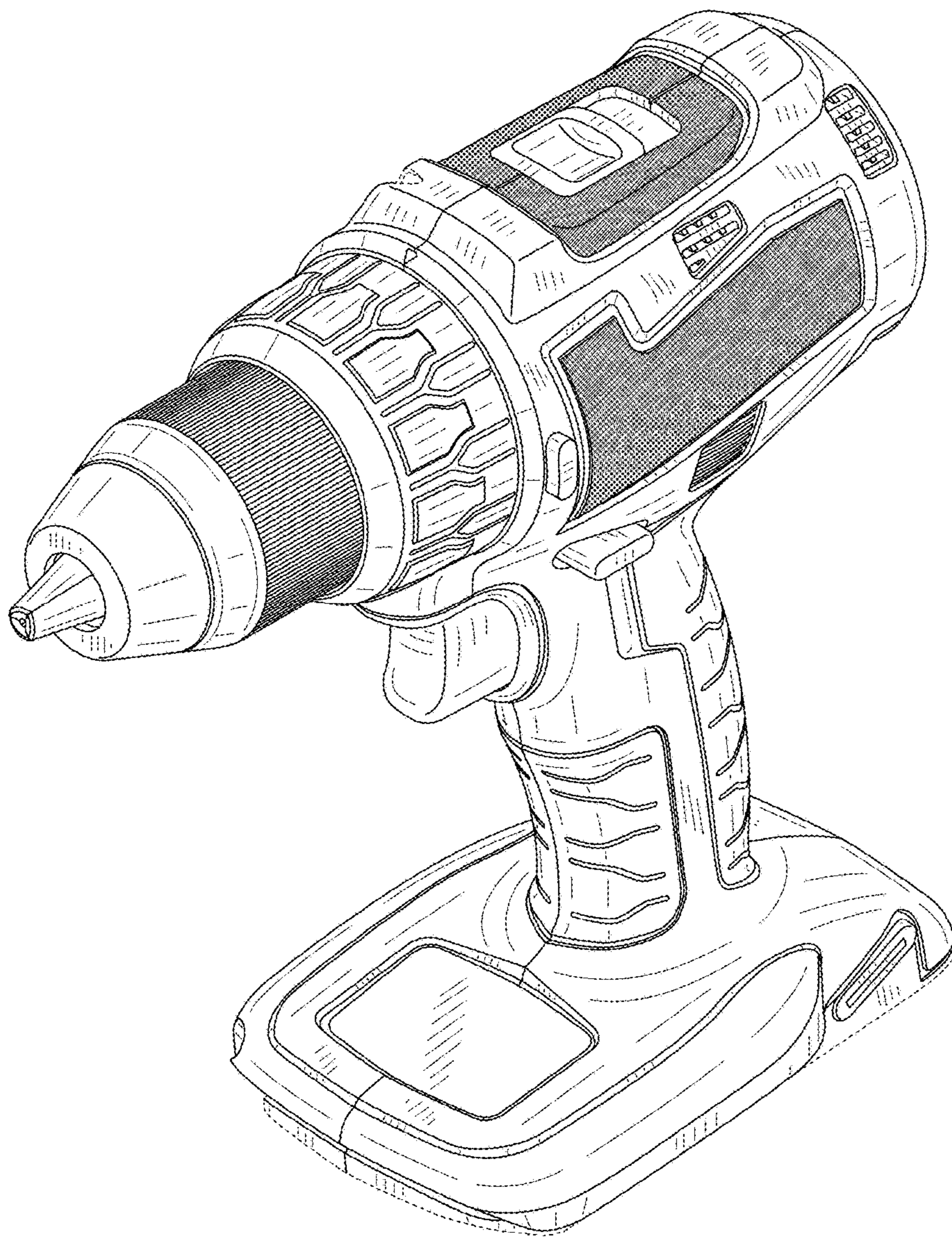


FIG. 2

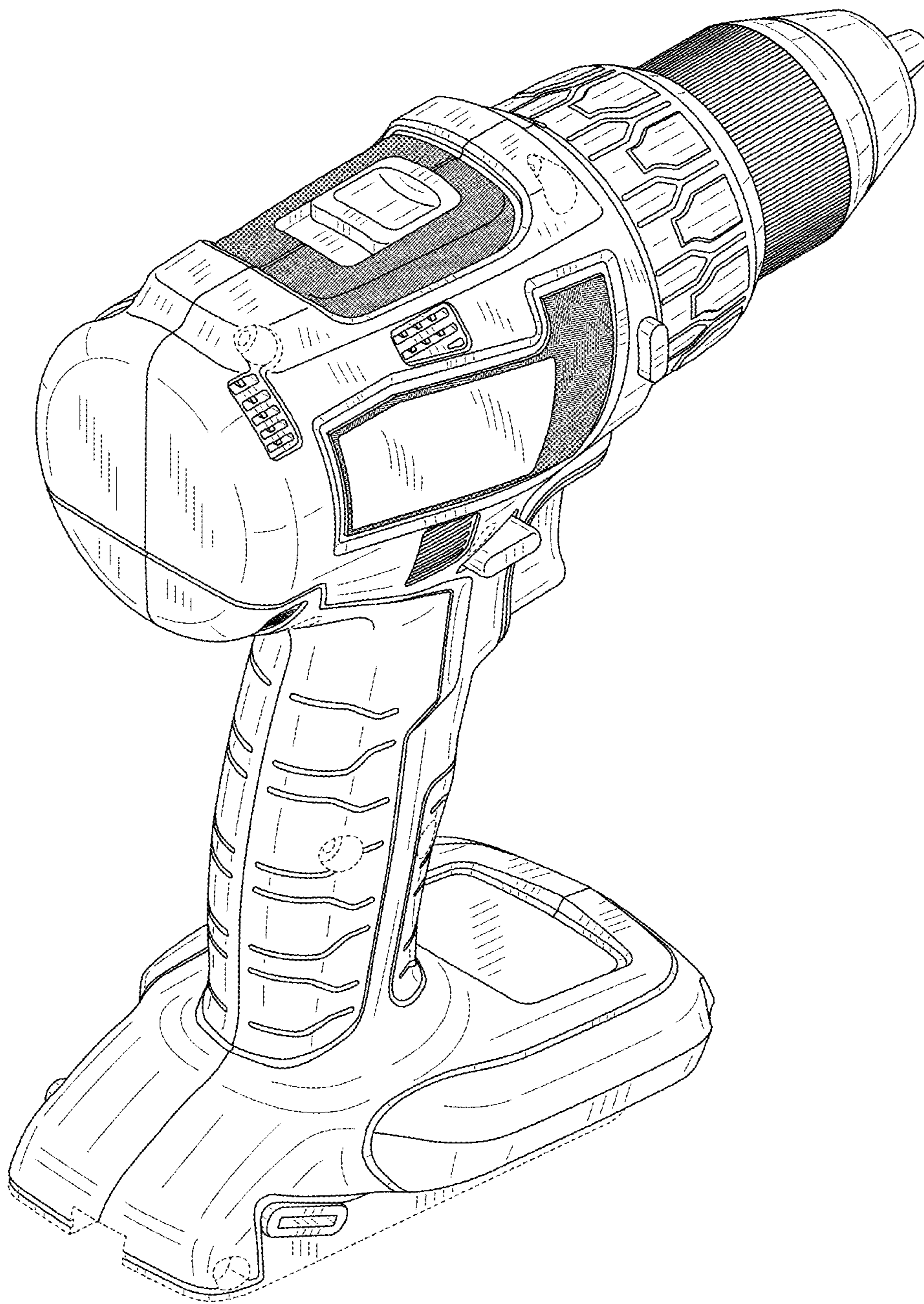


FIG. 3

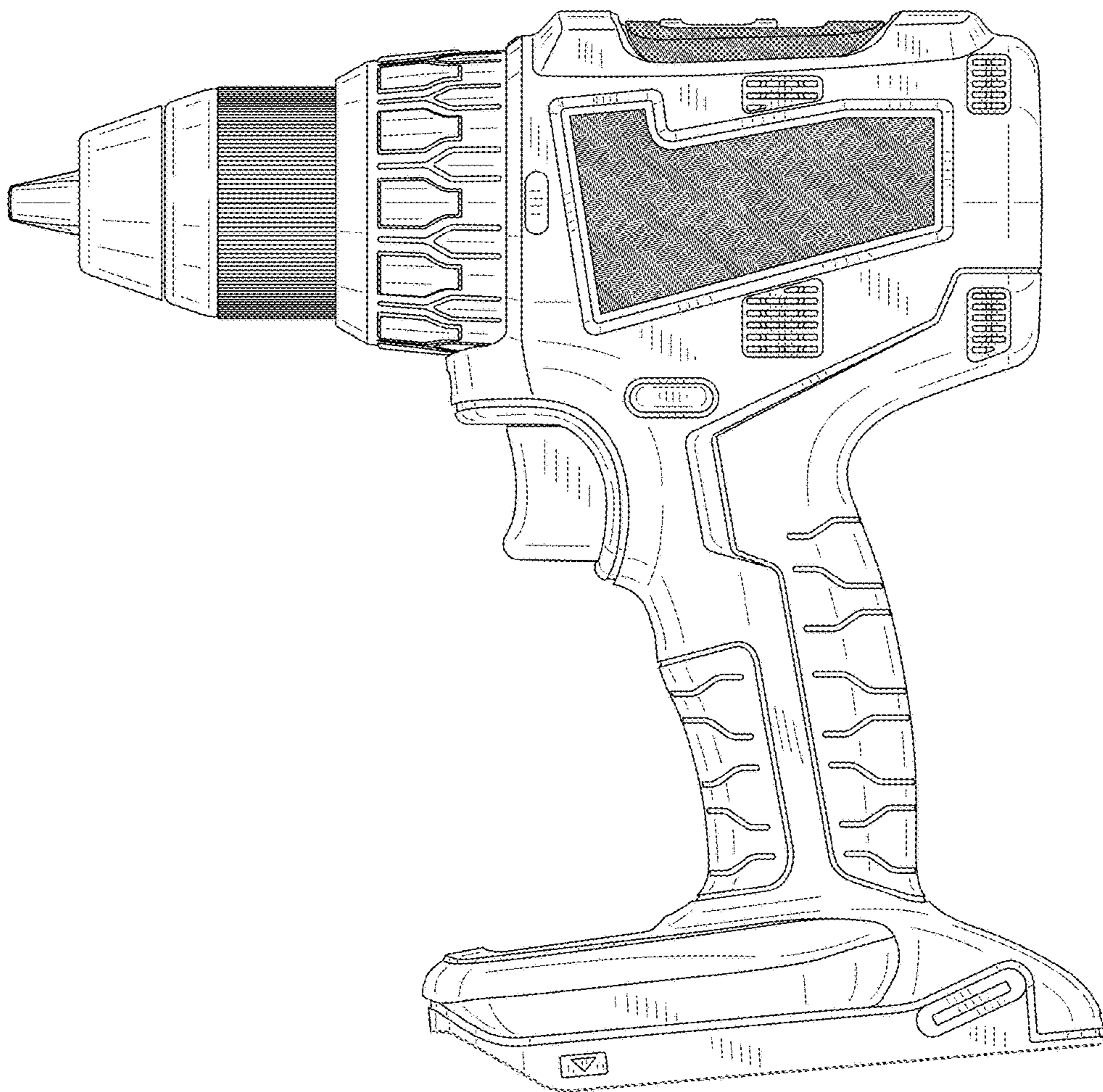


FIG. 4

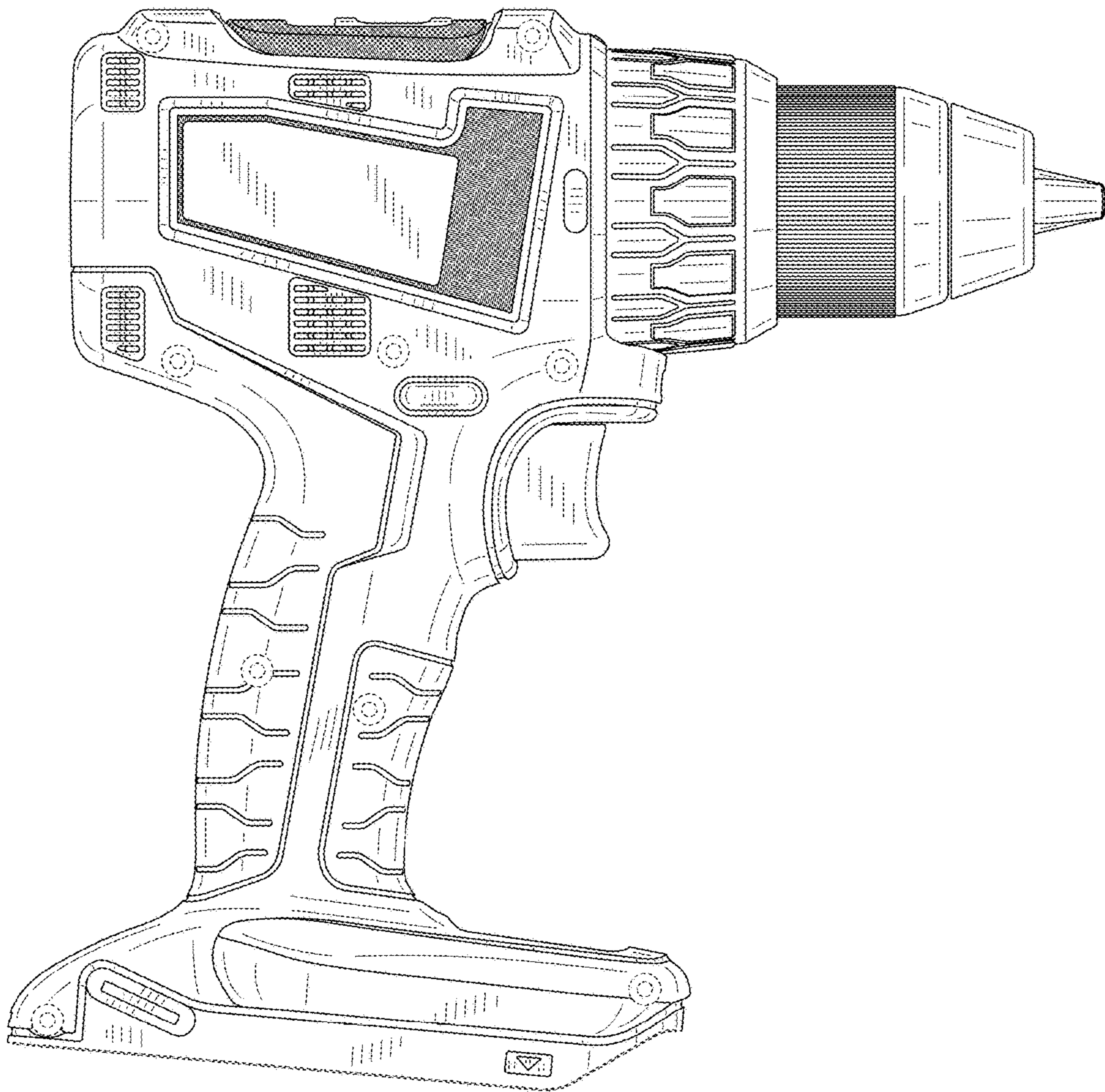


FIG. 5

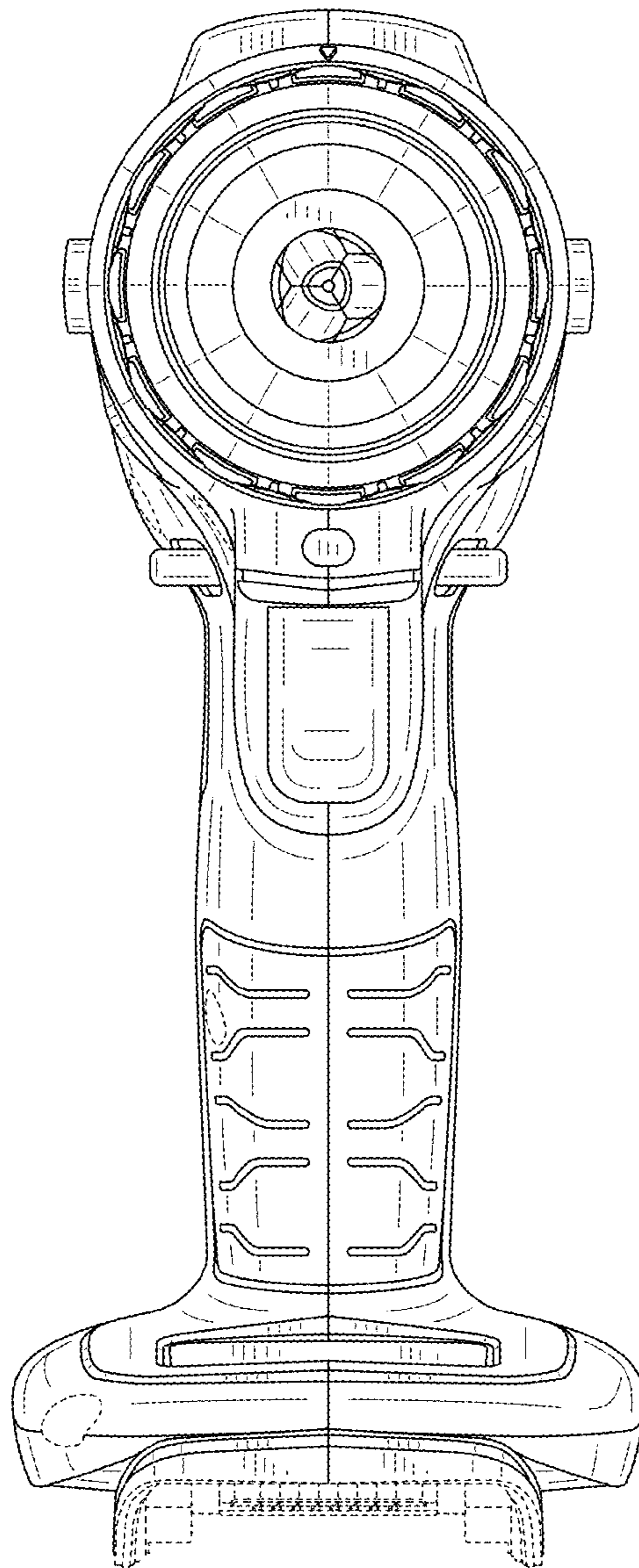


FIG. 6

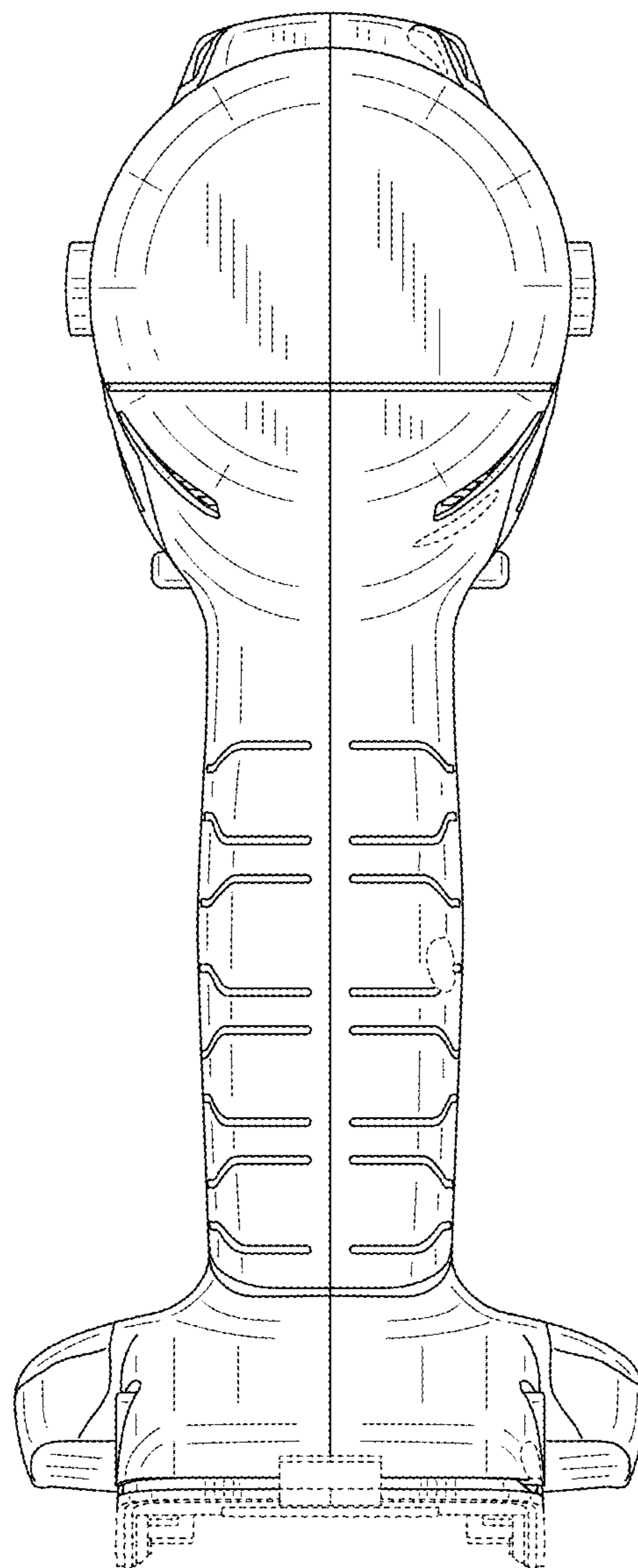


FIG. 7

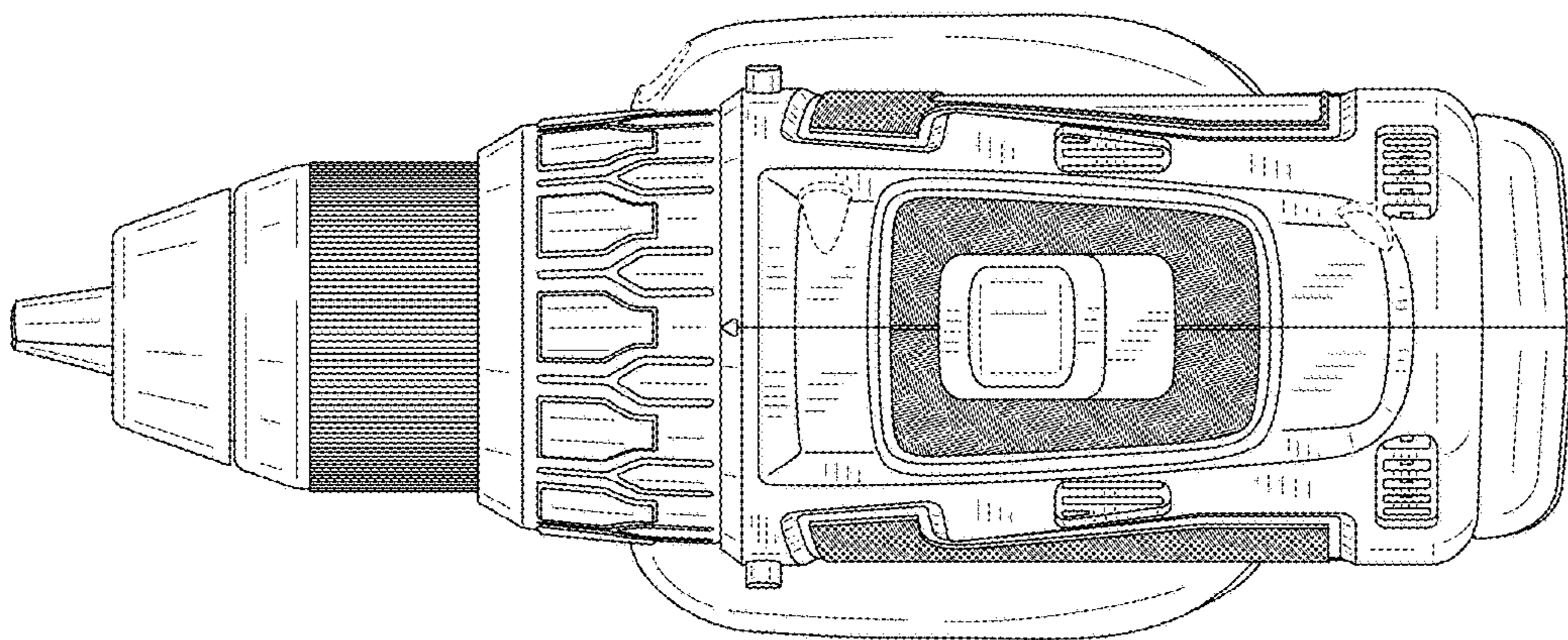


FIG. 8

