



US00D774861S

(12) **United States Design Patent** (10) **Patent No.:** **US D774,861 S**  
**Cooper** (45) **Date of Patent:** **\*\* Dec. 27, 2016**

(54) **DRILL DRIVER**  
(71) Applicant: **BLACK & DECKER INC.**, Newark, DE (US)  
(72) Inventor: **Joseph B. Cooper**, Baltimore, MD (US)  
(73) Assignee: **BLACK & DECKER INC.**, Newark, CT (US)

D642,037 S \* 7/2011 Miller ..... D8/68  
D646,947 S \* 10/2011 Lopano ..... D8/68  
D670,989 S \* 11/2012 Kawase ..... D8/61  
D675,500 S \* 2/2013 Taniguchi ..... D8/68  
D678,025 S \* 3/2013 Naksen ..... D8/68  
D678,744 S \* 3/2013 Aoki ..... D8/68  
D679,161 S \* 4/2013 Kawase ..... D8/61  
D684,028 S \* 6/2013 Costoli ..... 173/90  
D685,245 S \* 7/2013 Tirone ..... D8/68  
D700,821 S \* 3/2014 Tschopp ..... D8/68  
D708,496 S \* 7/2014 Zhou ..... D8/68  
2015/0041164 A1\* 2/2015 Sergyeyenko ..... B25B 21/008  
173/1

(\*\*) Term: **15 Years**

(21) Appl. No.: **29/528,388**  
(22) Filed: **May 28, 2015**  
(51) **LOC (10) Cl.** ..... **08-04**  
(52) **U.S. Cl.**  
USPC ..... **D8/68**  
(58) **Field of Classification Search**  
USPC ... D8/61, 67, 68; 81/57.4, 489; 173/48, 109,  
173/170, 178, 217; 408/124, 125;  
362/119; 475/149  
CPC ..... B62D 23/005; B62D 29/00; B62D 29/043;  
B62D 31/00; B62D 33/046; B62D 35/00;  
B62D 35/001; B60Q 1/0005  
See application file for complete search history.

**OTHER PUBLICATIONS**

Neundorf, Matt. "No Strings Attached: Best Cordless Power Tool Combo Kits." Gear Patrol., Jan. 8, 2014 [online], [retrieved on Aug. 4, 2016]. Retrieved from the Internet <URL: <http://gearpatrol.com/2014/01/08/round-best-cordless-power-tool-combo-kits/>>.\*

(Continued)

*Primary Examiner* — Darlington Ly  
(74) *Attorney, Agent, or Firm* — Stephen R. Valancius

(57) **CLAIM**

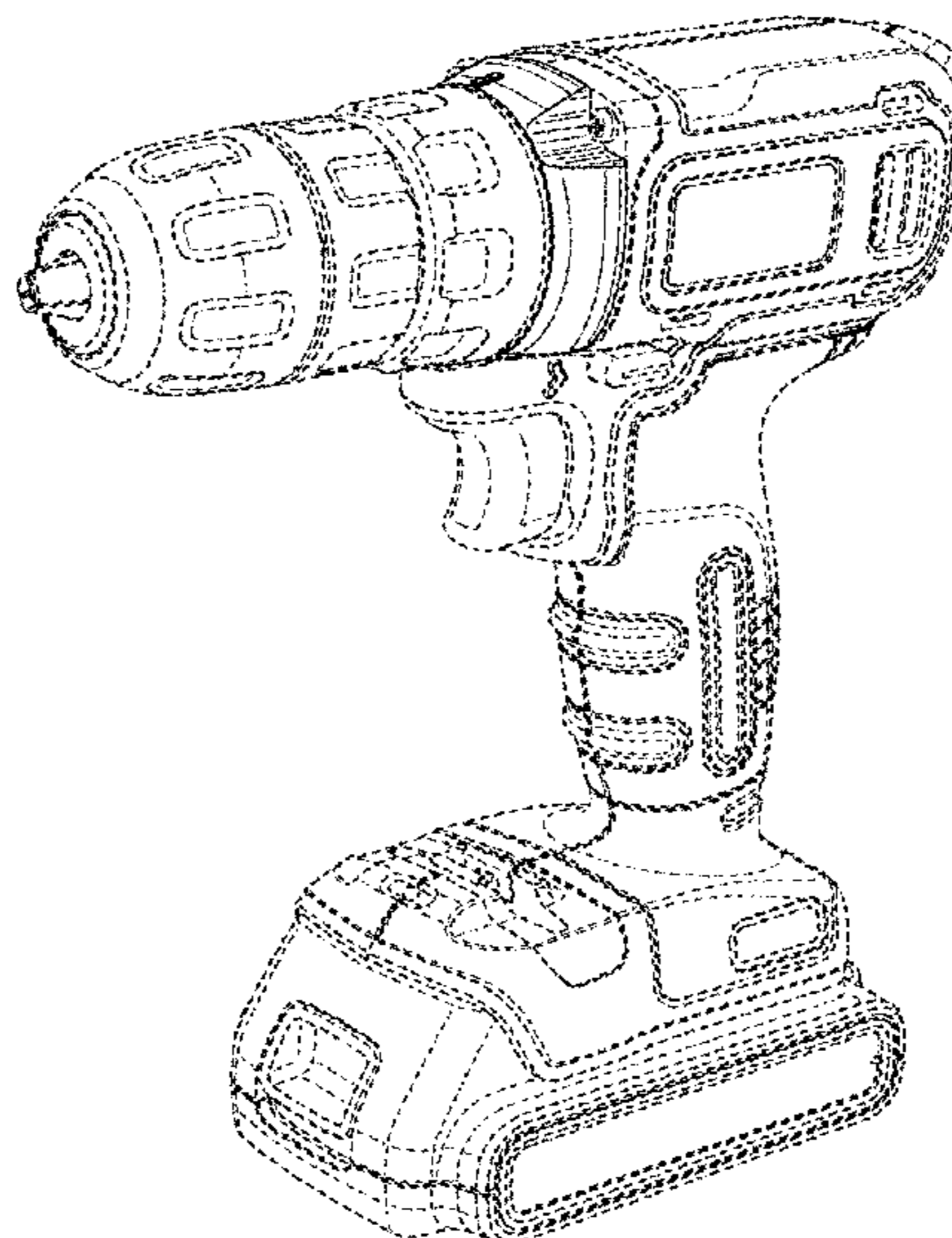
The ornamental design for a drill driver, as shown and described.

**DESCRIPTION**

FIG. 1 is a front perspective view of a drill driver showing my new design;  
FIG. 2 is a front elevation view thereof;  
FIG. 3 is a rear elevation view thereof;  
FIG. 4 is a right side elevation view thereof;  
FIG. 5 is a left side elevation view thereof;  
FIG. 6 is a top plan view thereof; and,  
FIG. 7 is a bottom plan view thereof.  
The broken lines in the drawings illustrate portions of the drill driver that forms no part of the claimed design.

**1 Claim, 7 Drawing Sheets**

(56) **References Cited**  
**U.S. PATENT DOCUMENTS**  
D466,777 S \* 12/2002 Watson ..... D8/68  
D466,779 S \* 12/2002 Shibata ..... D8/68  
D466,781 S \* 12/2002 Matsuoka ..... D8/68  
D508,643 S \* 8/2005 Concari ..... D8/68  
D515,377 S \* 2/2006 Chung ..... D8/68  
D525,848 S \* 8/2006 Kokawa ..... D8/68  
D527,971 S \* 9/2006 Kokawa ..... D8/68  
D536,944 S \* 2/2007 Tsai ..... D8/68  
D556,002 S \* 11/2007 Ino ..... D8/68  
D574,688 S \* 8/2008 Yamamoto ..... D8/68  
D628,454 S \* 12/2010 Misaki ..... D8/68



(56)

**References Cited**

OTHER PUBLICATIONS

Deutsch, Stuart. "Best Cordless Drills 2014 Edition." Tool Guyd., Jun. 11, 2014 [online], [retrieved on Aug. 4, 2016]. Retrieved from the Internet <URL: <http://toolguyd.com/best-cordless-drills-2014-edition/>>.\*

Berendohn, Roy. "The Top 20-Volt Drill/Drivers, Tested." Popular Mechanics., Jun. 12, 2014 [online], [retrieved on Aug. 4, 2016]. Retrieved from the Internet <URL: <http://www.popularmechanics.com/home/tools/reviews/g1540/the-top-20v-drill-drivers-tested/>>.\*

DIY Hubby. "Cordless Drill Reviews." The DIY Hubby., Jan. 2, 2016 [online], [retrieved on Aug. 4, 2016]. Retrieved from the Internet <URL: <http://www.thediyhubby.com/cordless-drill-reviews/>>.\*

\* cited by examiner

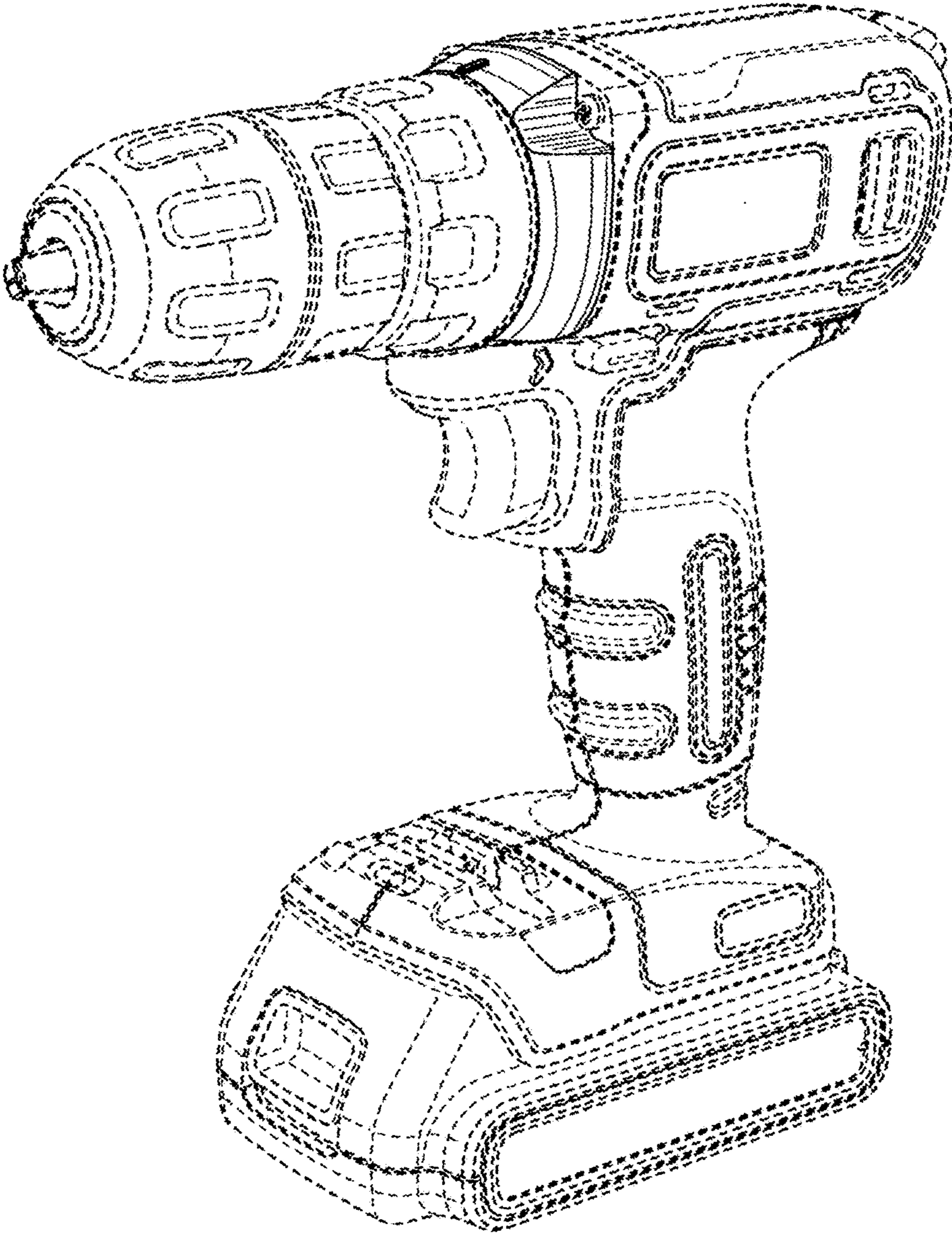


FIG. 1



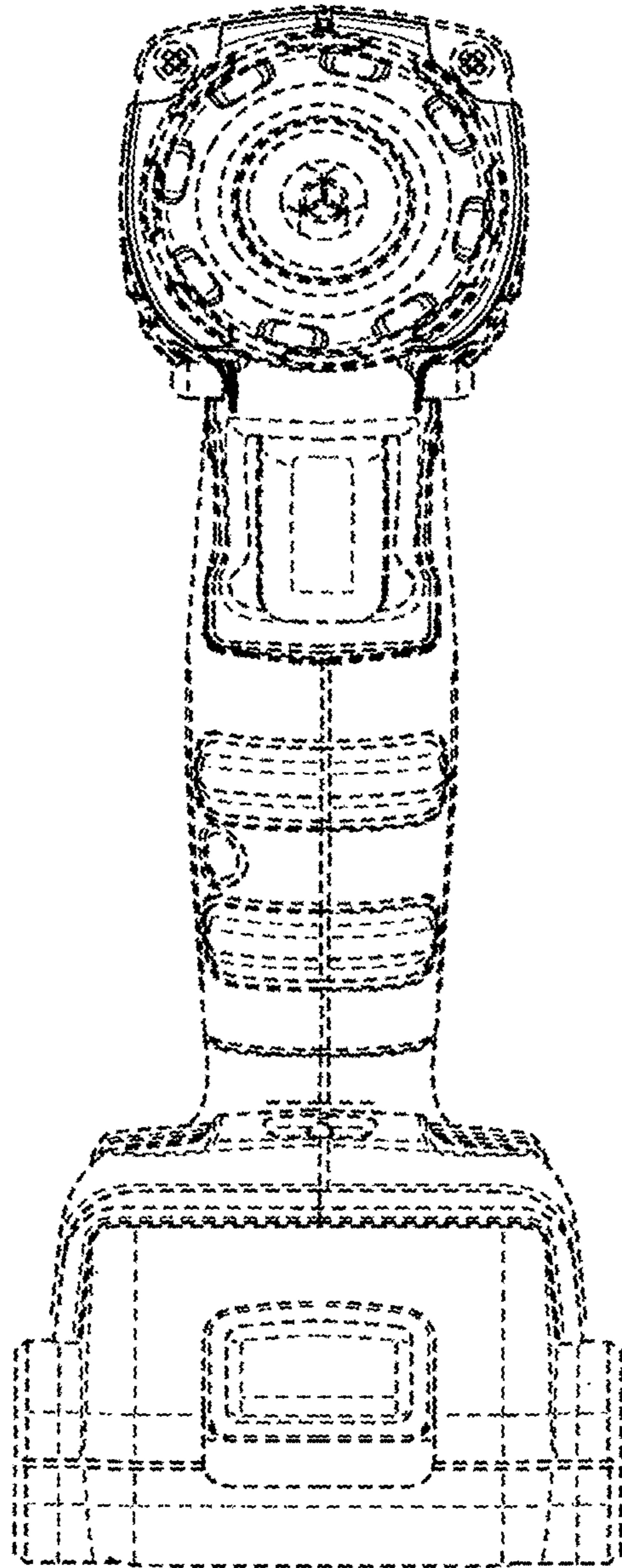


FIG. 2

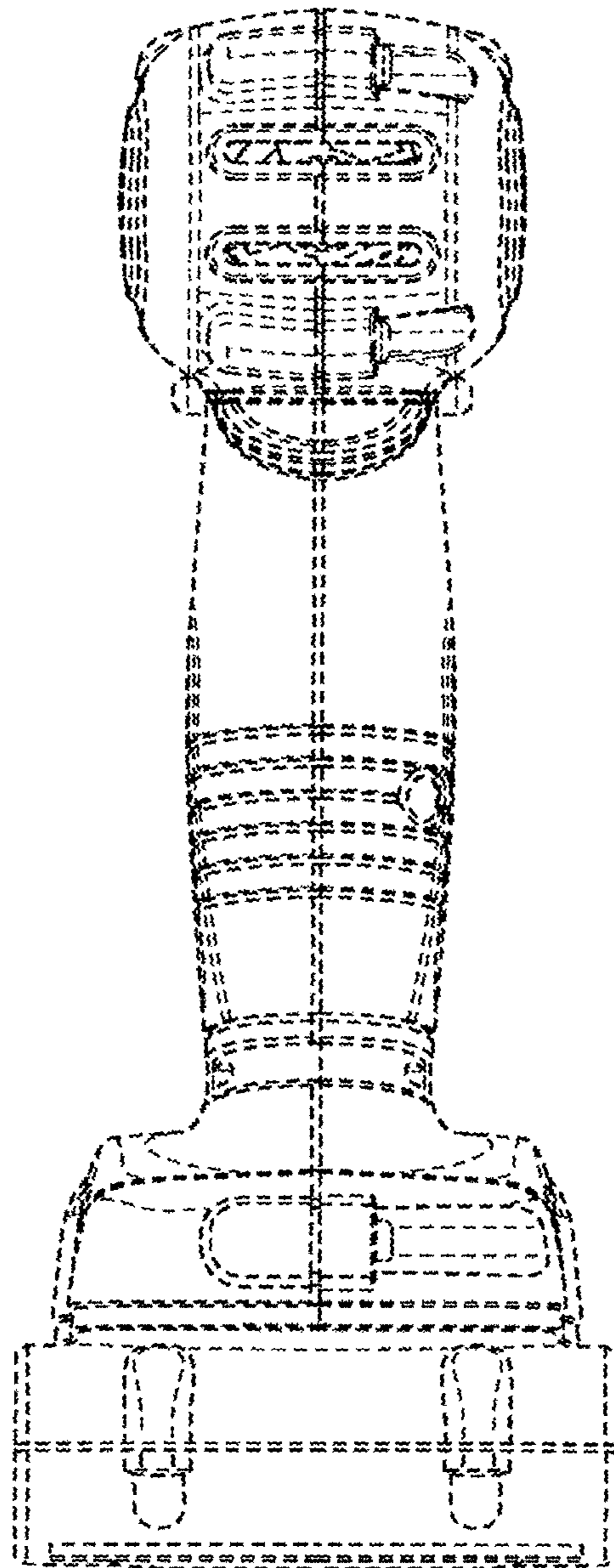


FIG. 3

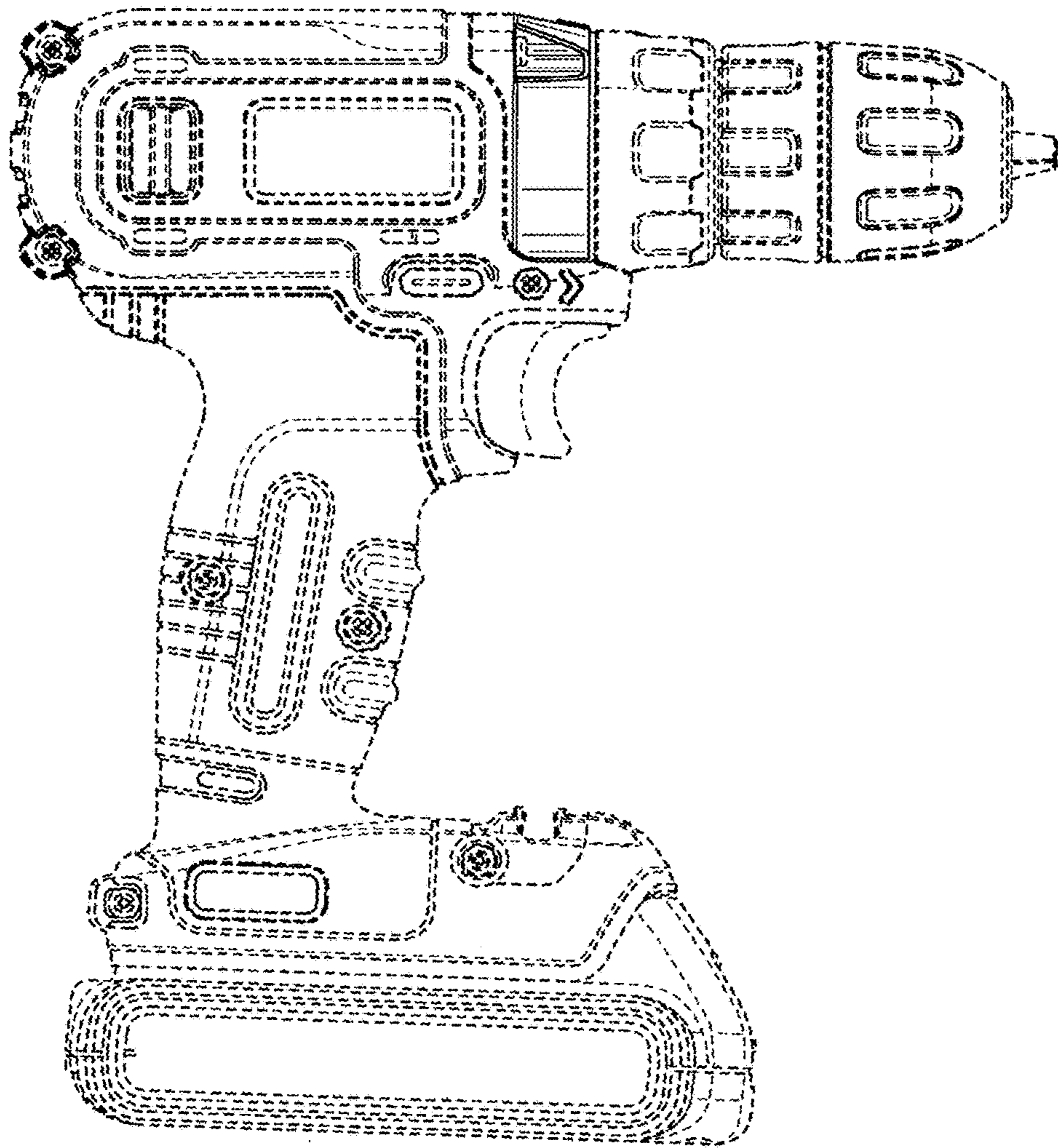


FIG.4

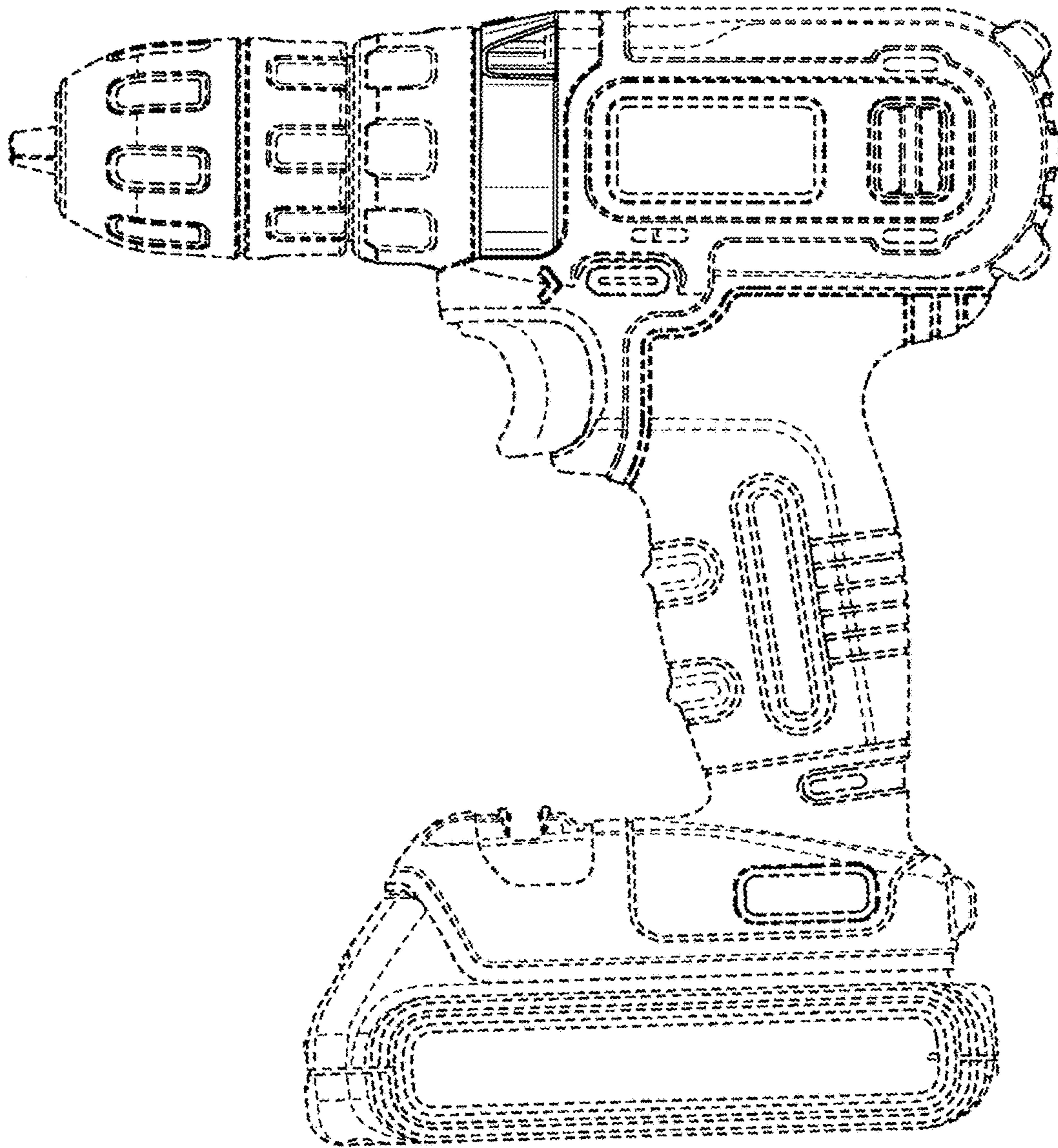


FIG. 5



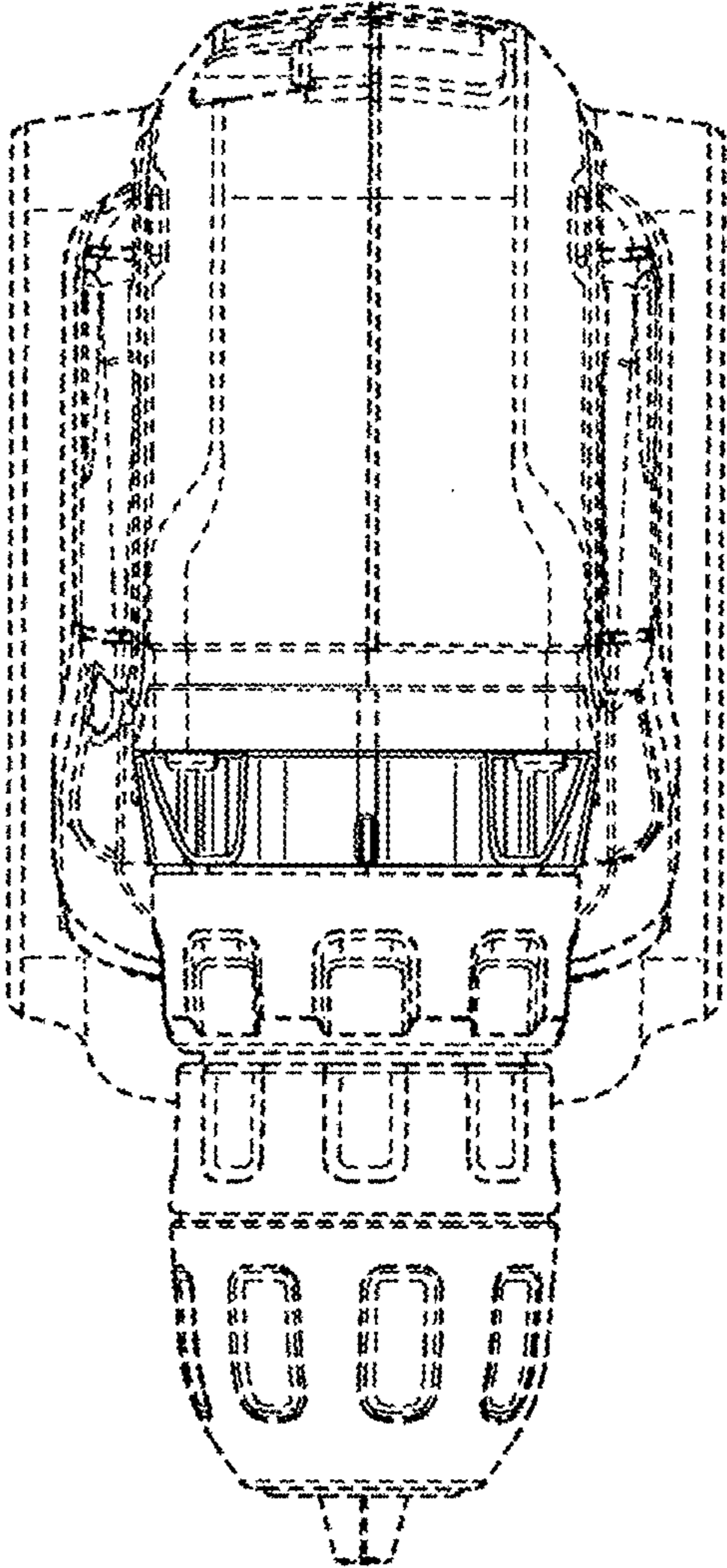


FIG. 6



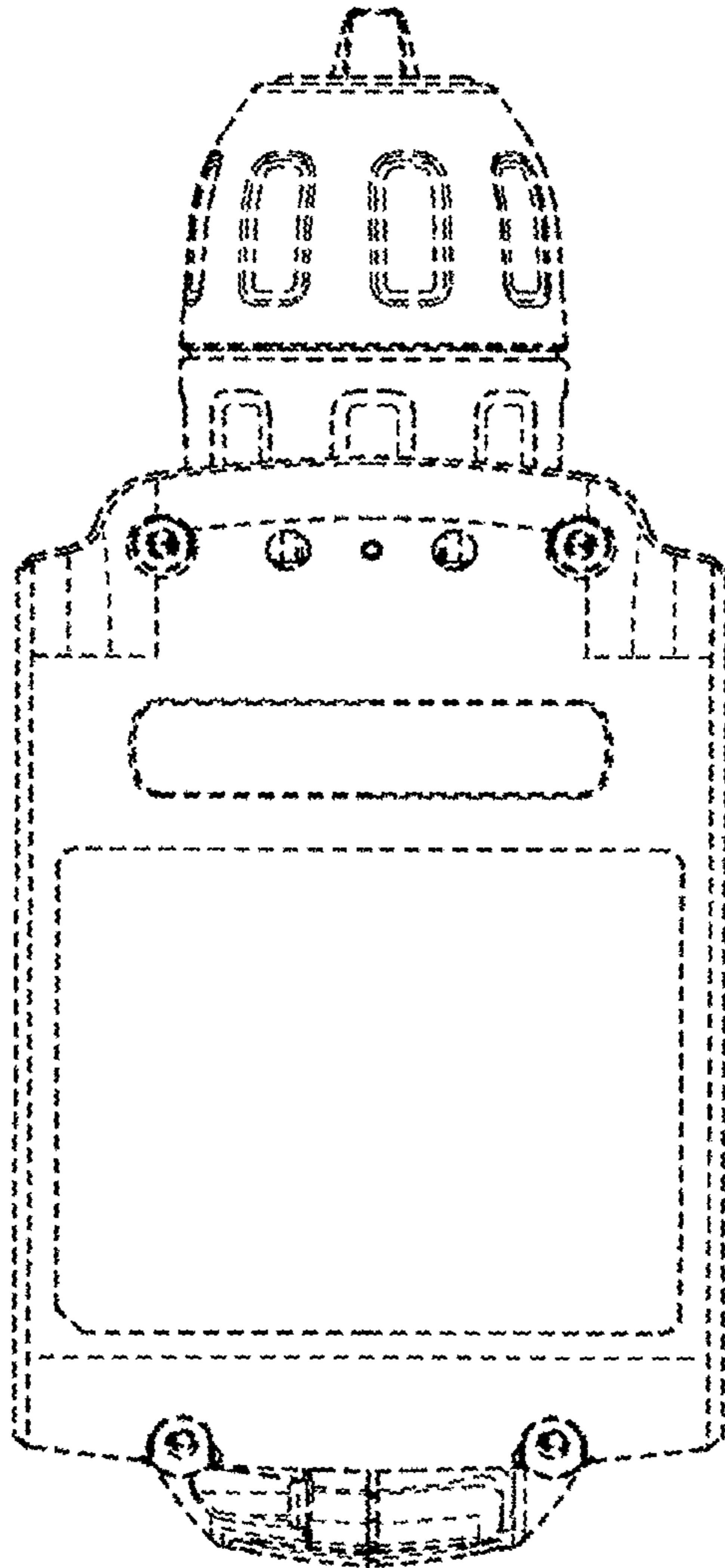


FIG. 7