



US00D774860S

(12) **United States Design Patent** (10) **Patent No.:** **US D774,860 S**  
**Colin et al.** (45) **Date of Patent:** **\*\* Dec. 27, 2016**

(54) **IMPACT WRENCH**  
(71) Applicant: **ETABLISSEMENTS GEORGES RENAULT**, Saint-Herblain (FR)  
(72) Inventors: **Stefan Colin**, Nantes (FR); **Chia Chun Hsieh**, Saint-Herblain (FR)  
(73) Assignee: **Etablissements Georges Renault**, Saint-Heberlain (FR)  
(\*\*) Term: **14 Years**  
(21) Appl. No.: **29/480,681**  
(22) Filed: **Jan. 28, 2014**  
(30) **Foreign Application Priority Data**

Aug. 2, 2013 (EM) ..... 002286344-0001

(51) **LOC (10) Cl.** ..... **08-05**  
(52) **U.S. Cl.**  
USPC ..... **D8/68**  
(58) **Field of Classification Search**  
USPC ... D8/61, 67, 68; 81/57.4, 489; 173/48, 109, 173/170, 178, 217; 362/119; 408/124, 408/125; 475/149  
CPC ..... B62D 23/005; B62D 29/00; B62D 29/043; B62D 31/00; B62D 33/046; B62D 35/00; B62D 35/001; B60Q 1/0005  
See application file for complete search history.

(56) **References Cited**  
U.S. PATENT DOCUMENTS  
D256,980 S \* 9/1980 Adams et al. .... D8/68  
D376,969 S 12/1996 Kazamaki et al.  
D403,564 S \* 1/1999 Izumisawa ..... D8/68  
5,918,686 A \* 7/1999 Izumisawa ..... 173/20  
6,062,323 A \* 5/2000 Pusateri et al. .... 173/169  
D434,297 S \* 11/2000 Iritani et al. .... D8/68  
D436,818 S \* 1/2001 Izumisawa ..... D8/68

D441,628 S \* 5/2001 Bass et al. .... D8/68  
D461,388 S 8/2002 Giardino  
D472,782 S \* 4/2003 Pusateri et al. .... D8/68  
D476,210 S \* 6/2003 Chen ..... D8/68  
D477,512 S \* 7/2003 Liu et al. .... D8/68  
D493,085 S \* 7/2004 Copeland et al. .... D8/68  
D496,243 S \* 9/2004 Huang ..... D8/68  
D497,529 S \* 10/2004 Price ..... D8/68  
D497,787 S \* 11/2004 Liao ..... D8/68  
D504,299 S \* 4/2005 Leasure et al. .... D8/68  
D507,732 S \* 7/2005 Nowak et al. .... D8/68  
D519,807 S \* 5/2006 Chen ..... D8/68  
D521,339 S \* 5/2006 Chen ..... D8/68  
D540,640 S 4/2007 Clay  
D540,641 S 4/2007 Clay  
D590,226 S \* 4/2009 Chu ..... D8/68  
7,987,919 B2 \* 8/2011 Paprocki ..... 173/2  
D650,255 S 12/2011 Sterpka et al.  
D650,256 S 12/2011 Sterpka et al.  
D664,413 S \* 7/2012 Steinfels ..... D8/68  
2002/0152848 A1 \* 10/2002 Johnson ..... 81/465

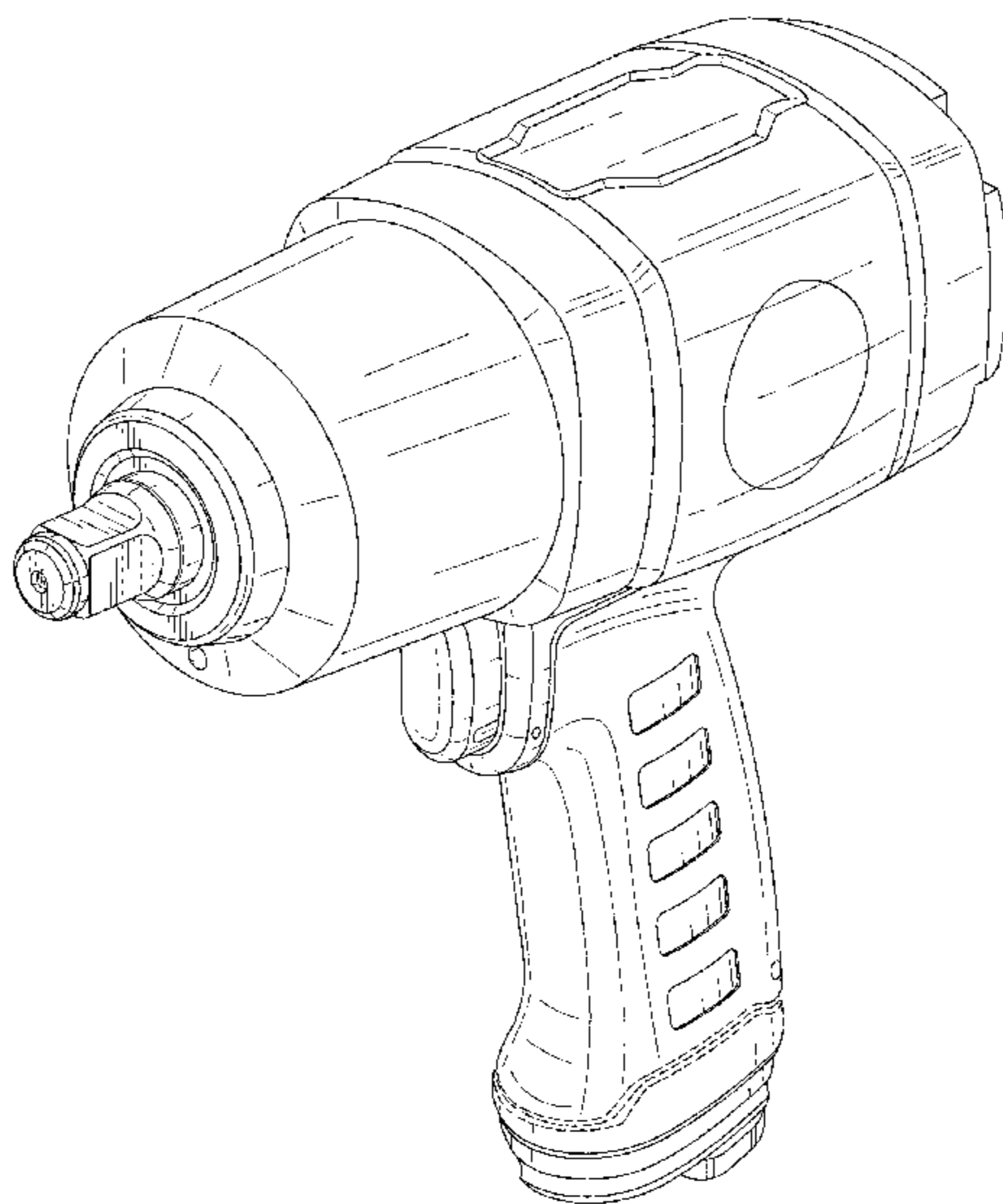
\* cited by examiner

*Primary Examiner* — Darlington Ly  
(74) *Attorney, Agent, or Firm* — Workman Nydegger

(57) **CLAIM**  
The ornamental design for an impact wrench, as shown and described.

**DESCRIPTION**  
FIG. 1 is a front elevational view of an impact wrench showing our new design;  
FIG. 2 is a rear elevational view thereof;  
FIG. 3 is a left side elevational view thereof;  
FIG. 4 is a right side elevational view thereof;  
FIG. 5 is a bottom plan view thereof;  
FIG. 6 is a top plan view thereof; and,  
FIG. 7 is a perspective view thereof.  
The broken lines shown in the drawings illustrate portions of the impact wrench that form no part of the claimed design.

**1 Claim, 7 Drawing Sheets**



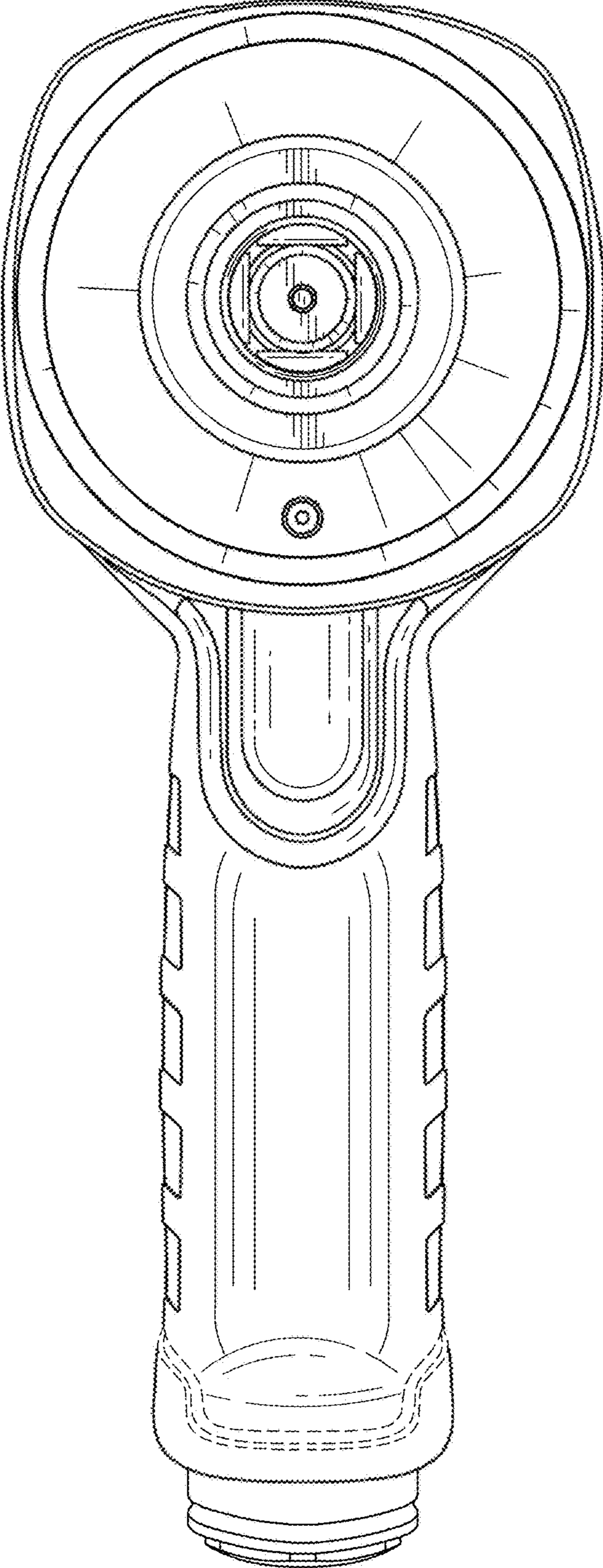


FIG. 1

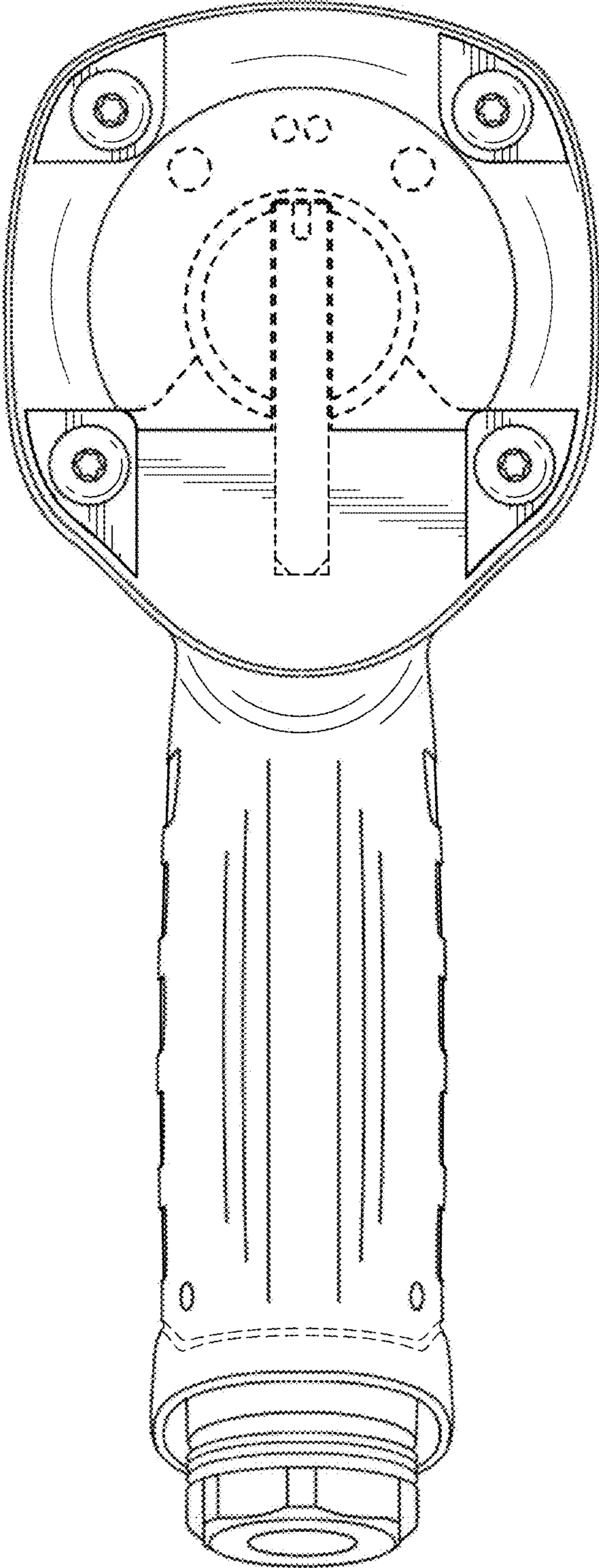


FIG. 2

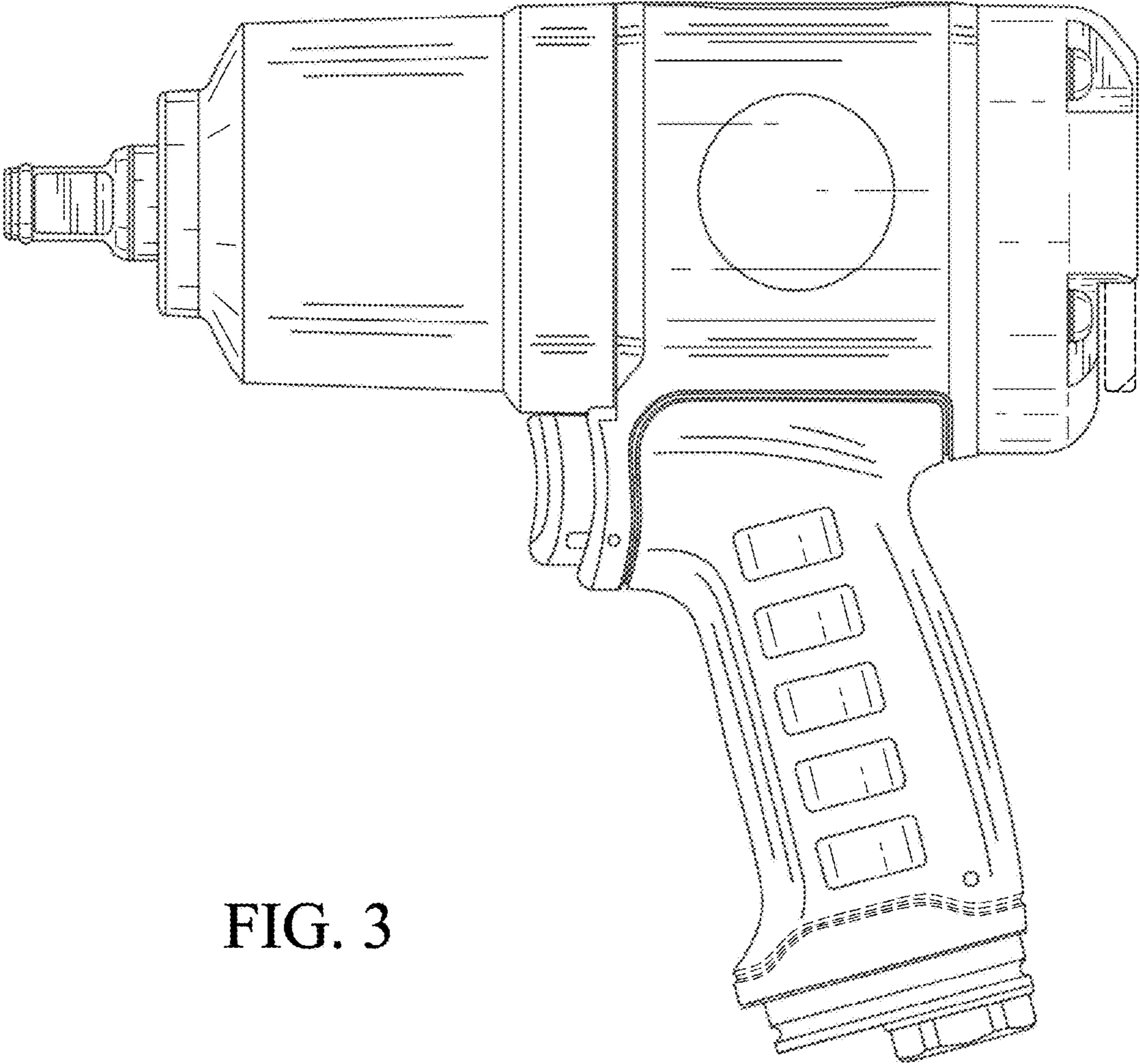


FIG. 3

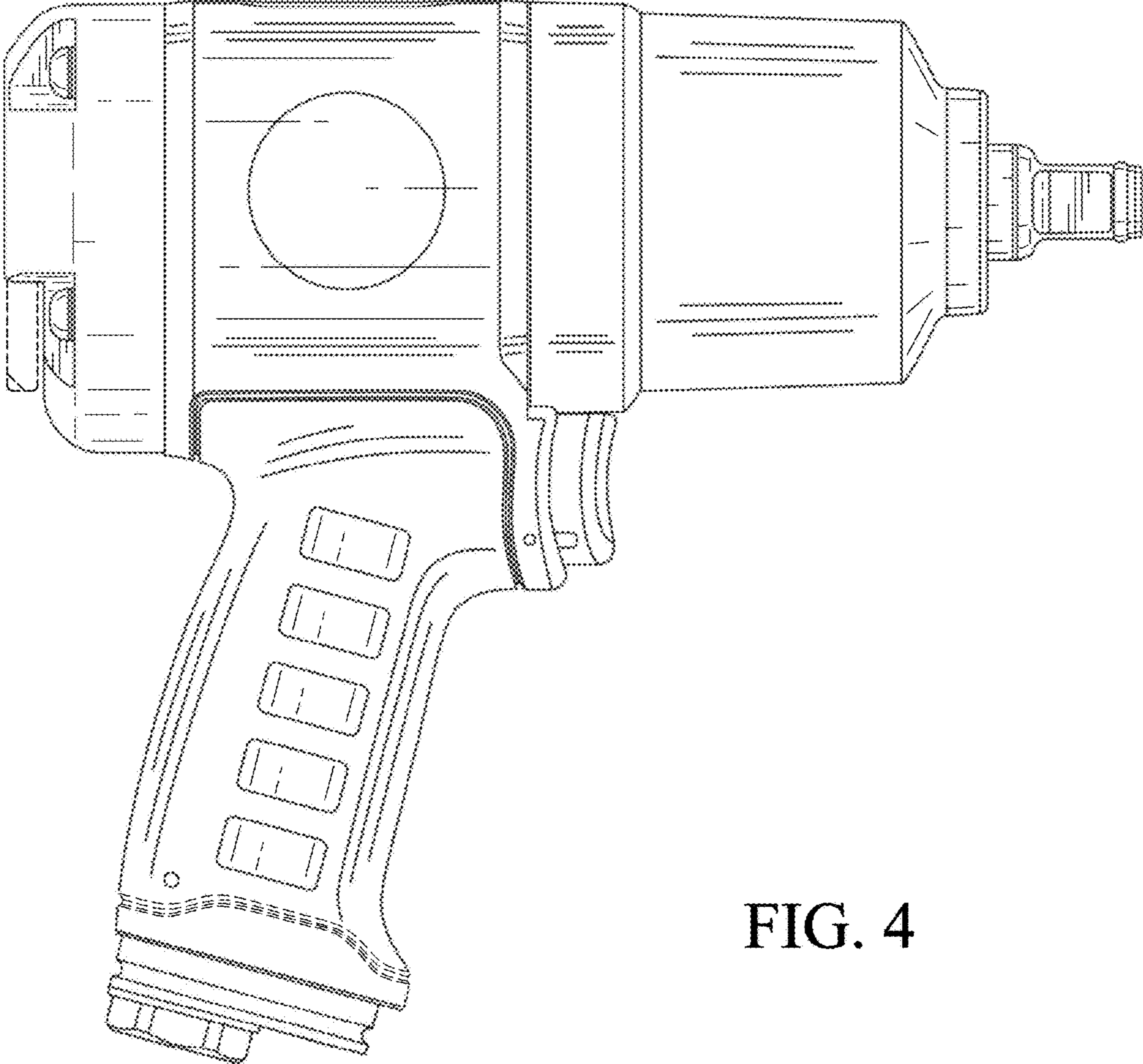


FIG. 4

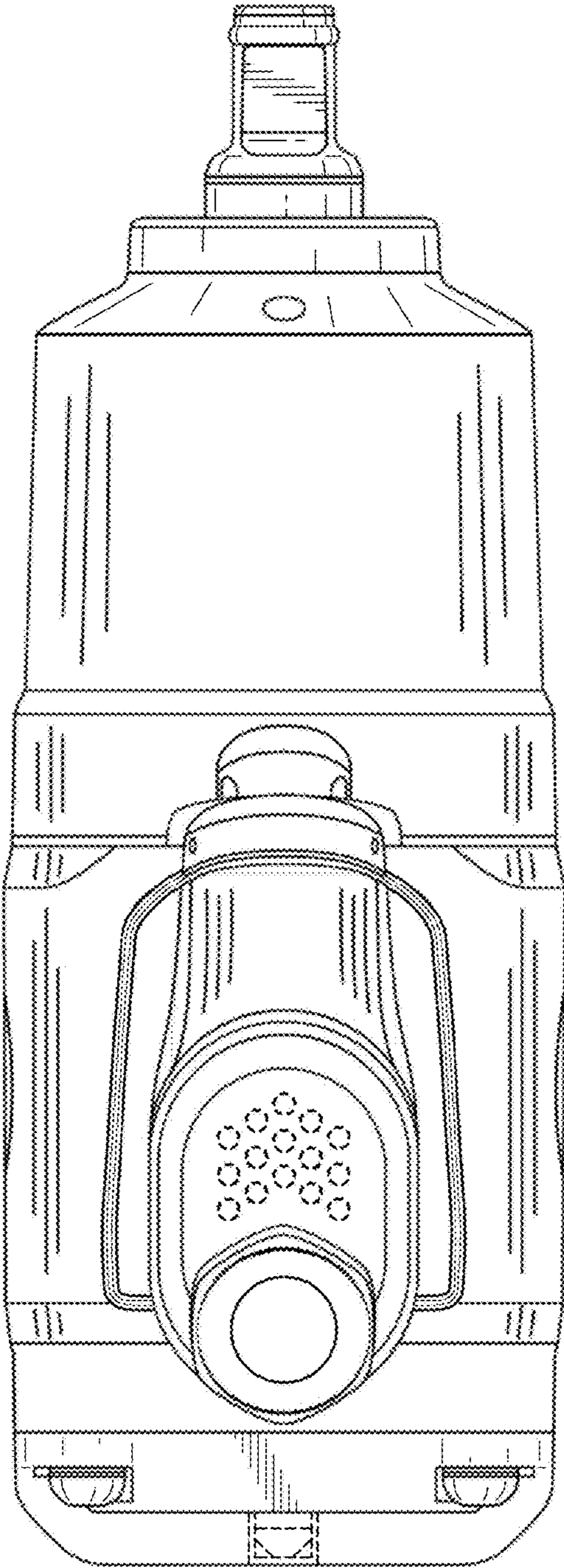


FIG. 5

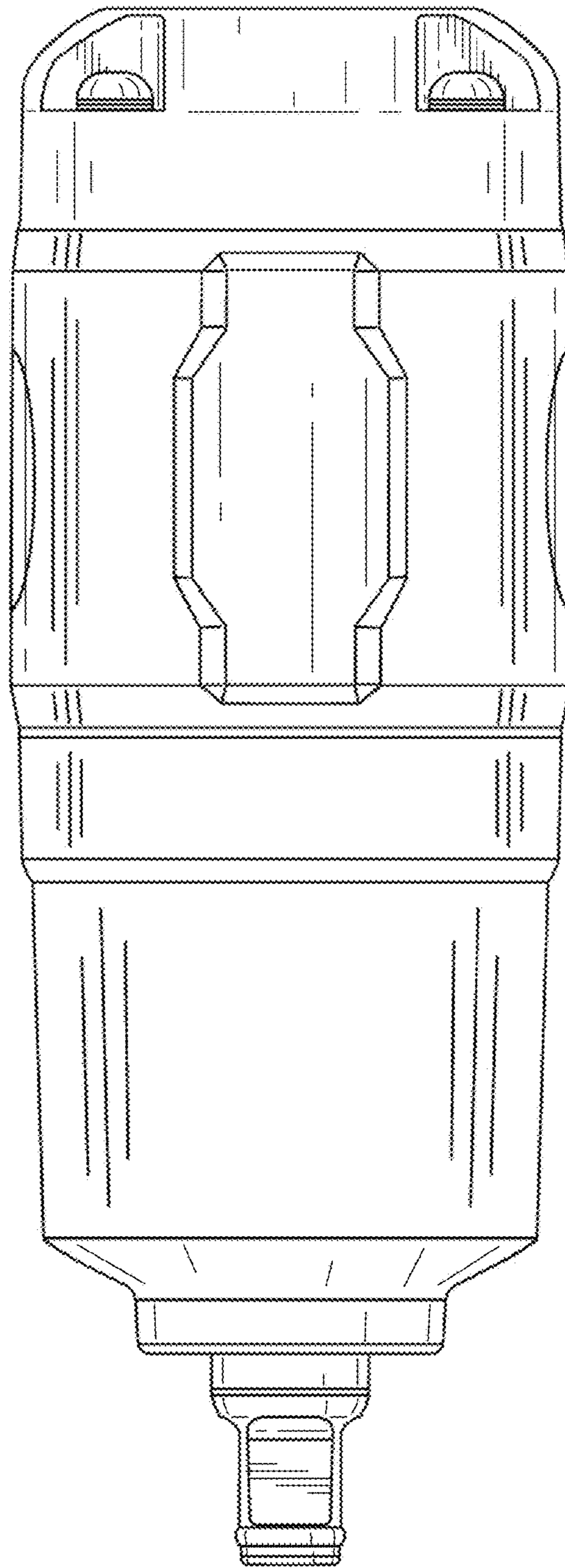


FIG. 6

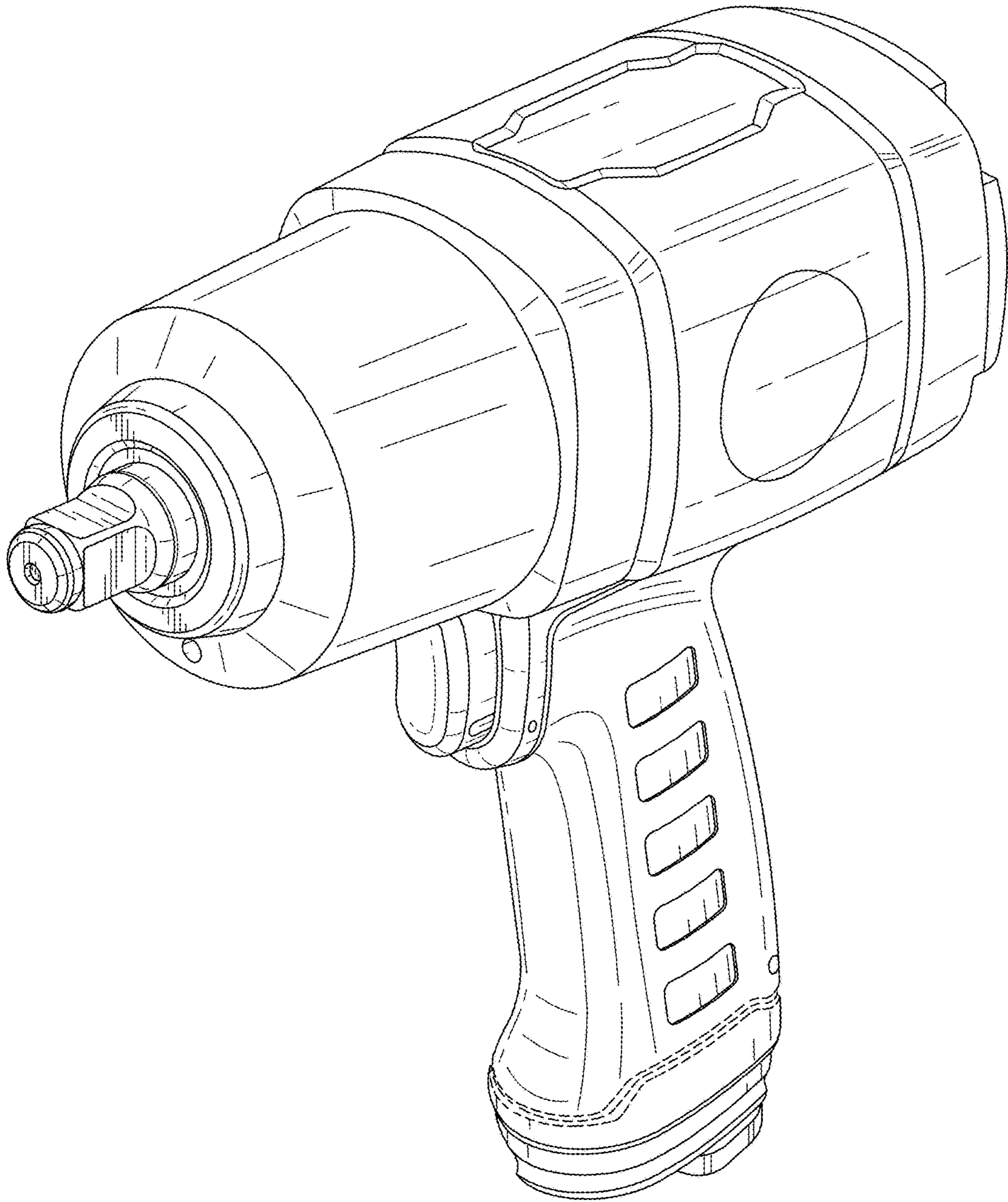


FIG. 7