



US00D774859S

(12) **United States Design Patent** (10) **Patent No.:** **US D774,859 S**
Stucki et al. (45) **Date of Patent:** **** Dec. 27, 2016**

- (54) **PRESS TOOL** 7,254,982 B2 * 8/2007 Frenken B25B 27/10
60/477
- (71) Applicant: **Emerson Electric Co.**, St. Louis, MO (US) D588,891 S 3/2009 Hayakawa et al.
D617,620 S 6/2010 Yaschur et al.
7,841,223 B2 * 11/2010 Rollins B25B 27/10
29/751
- (72) Inventors: **Andreas Stucki**, Gelterkinden (CH);
Martin Moritz, Landser (FR) D657,221 S * 4/2012 Isobe D8/61
D673,829 S * 1/2013 Takeshima D8/61
D688,928 S 9/2013 Busschaert
- (73) Assignee: **Emerson Electric Co.**, St. Louis, MO (US) (Continued)

- (**) Term: **14 Years**
- (21) Appl. No.: **29/522,975**
- (22) Filed: **Apr. 6, 2015**

Related U.S. Application Data

- (62) Division of application No. 29/430,635, filed on Aug. 28, 2012, now Pat. No. Des. 729,602.
- (51) **LOC (10) Cl.** **08-03**
- (52) **U.S. Cl.**
USPC **D8/61**
- (58) **Field of Classification Search**
USPC D8/7, 21, 24, 25, 29, 36, 40, 60, 61, 68,
D8/70, 85; D21/532; 30/92, 371; 74/49,
74/50; 173/2, 176, 181, 216, 217;
446/145
CPC B25F 3/00; B25F 28/00; B23D 29/002;
B26D 3/16; B25B 27/10; B25B 27/146
See application file for complete search history.

(56) **References Cited**

U.S. PATENT DOCUMENTS

- D329,793 S * 9/1992 Fukuda D8/60
- D428,787 S 8/2000 Smolinski et al.
- D477,758 S 7/2003 Chunn et al.
- D527,592 S 9/2006 Hayakawa et al.
- D528,385 S 9/2006 Netzler

FOREIGN PATENT DOCUMENTS

- CH EP 2172308 A2 * 4/2010 B25B 27/10

OTHER PUBLICATIONS

“Pressing” section of Ridgid [Catalog], Ridge Tool Company, a subsidiary of Emerson, part of Emerson Professional Tools™, © 2008 Ridgid, Inc., pp. 10.1 through 10.12.

Primary Examiner — Darlington Ly

(57) **CLAIM**

The ornamental design for a press tool, as shown and described.

DESCRIPTION

FIG. 1 is a front isometric view of the press tool of the present design;

FIG. 2 is a rear isometric view of the press tool of FIG. 1;

FIG. 3 is a right side view of the press tool of FIG. 1;

FIG. 4 is a left side view of the press tool of FIG. 1;

FIG. 5 is a top view of the press tool of FIG. 1;

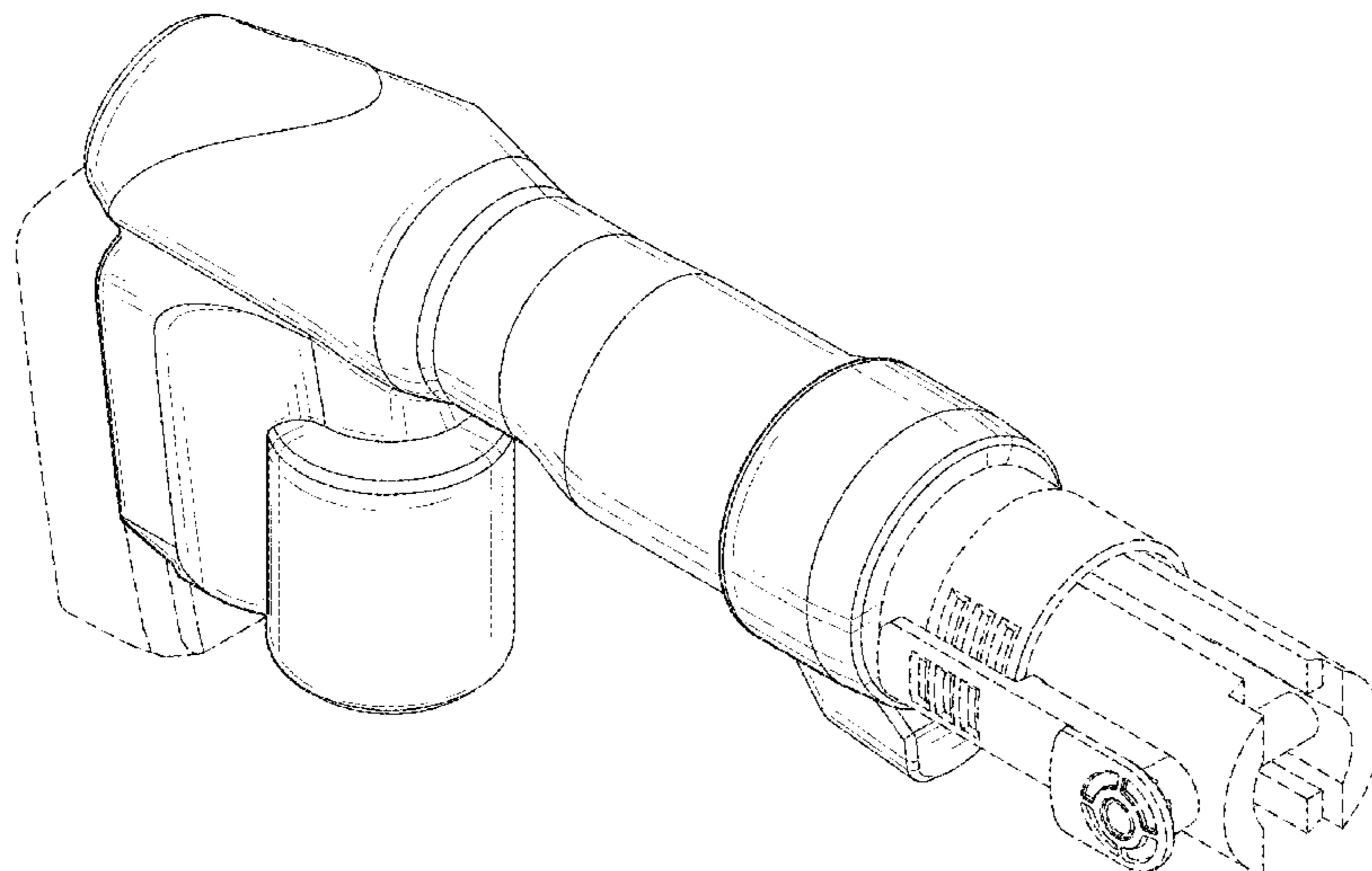
FIG. 6 is a bottom view of the press tool of FIG. 1;

FIG. 7 is a front view of the press tool of FIG. 1; and,

FIG. 8 is a back view of the press tool of FIG. 1.

The broken lines represent the portions of the press tool that form no part of the claimed design.

1 Claim, 6 Drawing Sheets



(56)

References Cited

U.S. PATENT DOCUMENTS

D700,032	S *	2/2014	Frenken	D8/60
D701,441	S	3/2014	Yaschur	
D710,173	S *	8/2014	Frenken	D8/61
D713,707	S	9/2014	Glockseisen	
D716,124	S *	10/2014	Kamijyo	D8/61
D729,602	S *	5/2015	Stucki	D8/61
2003/0188566	A1 *	10/2003	Lefavour	B25B 27/10 72/453.16
2004/0144146	A1 *	7/2004	Amherd	B21D 39/048 72/21.3
2011/0197451	A1 *	8/2011	Mitchell	B23D 29/002 30/92

* cited by examiner

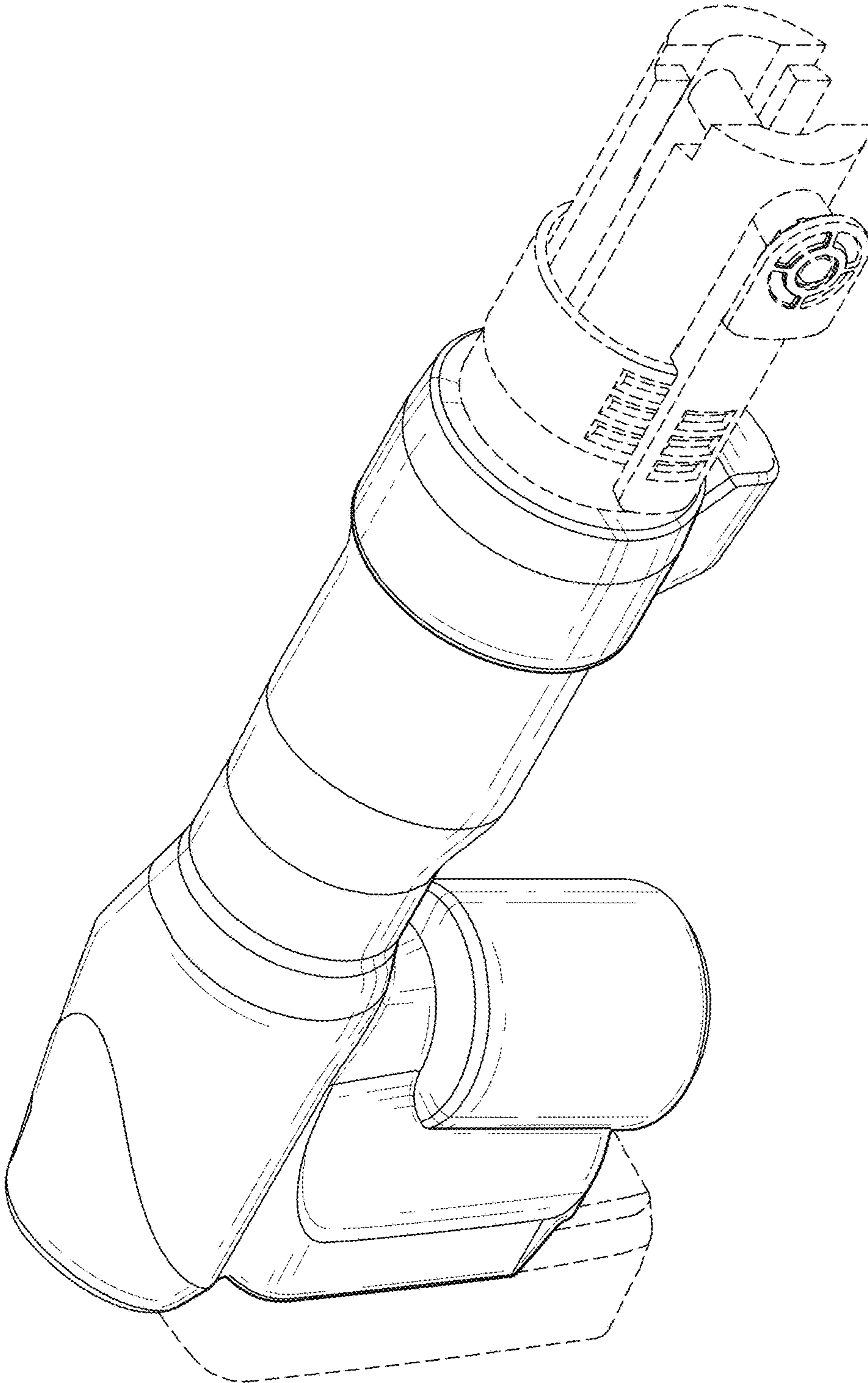


Fig. 1

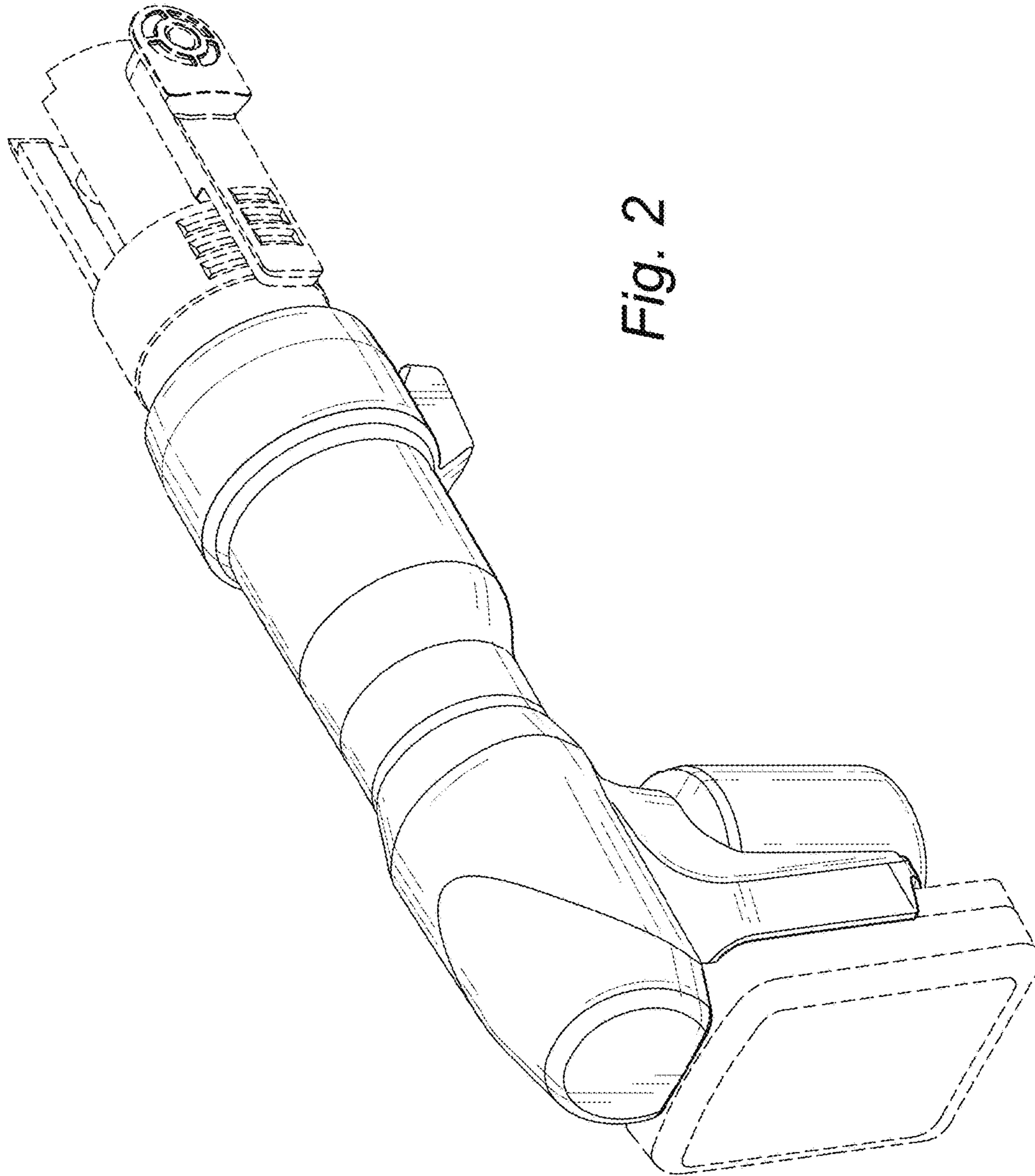


Fig. 2

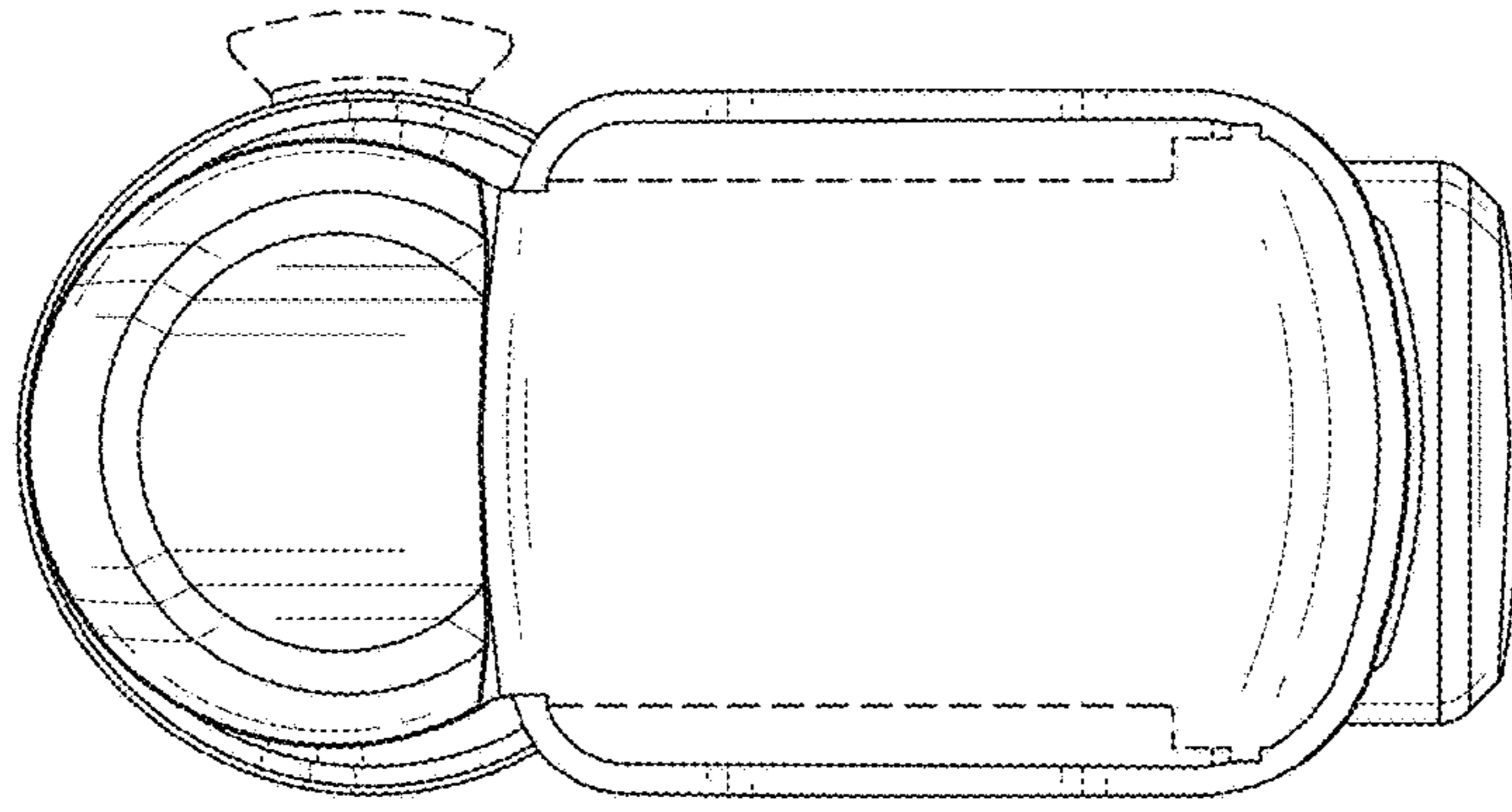


Fig. 4

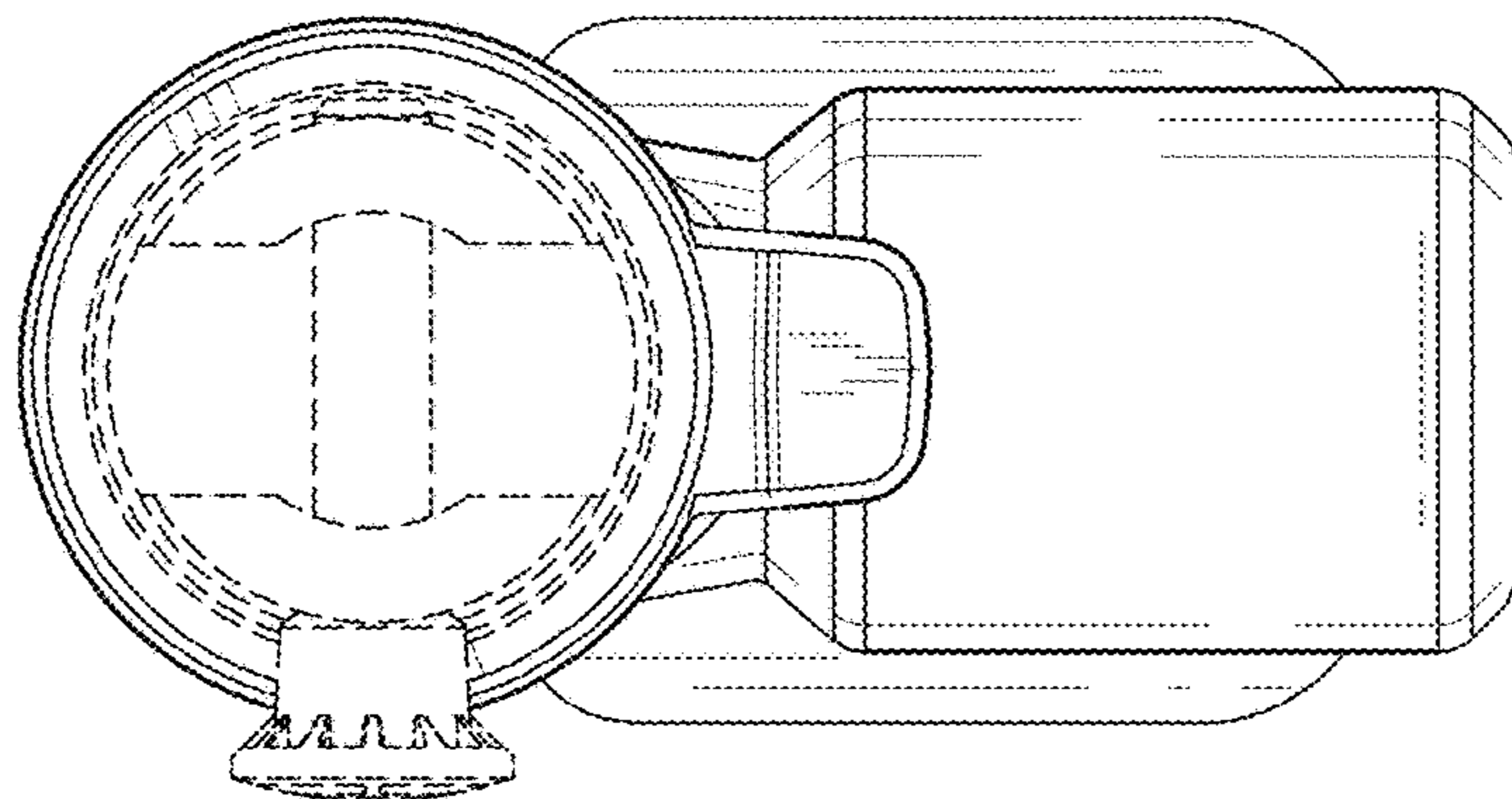


Fig. 3

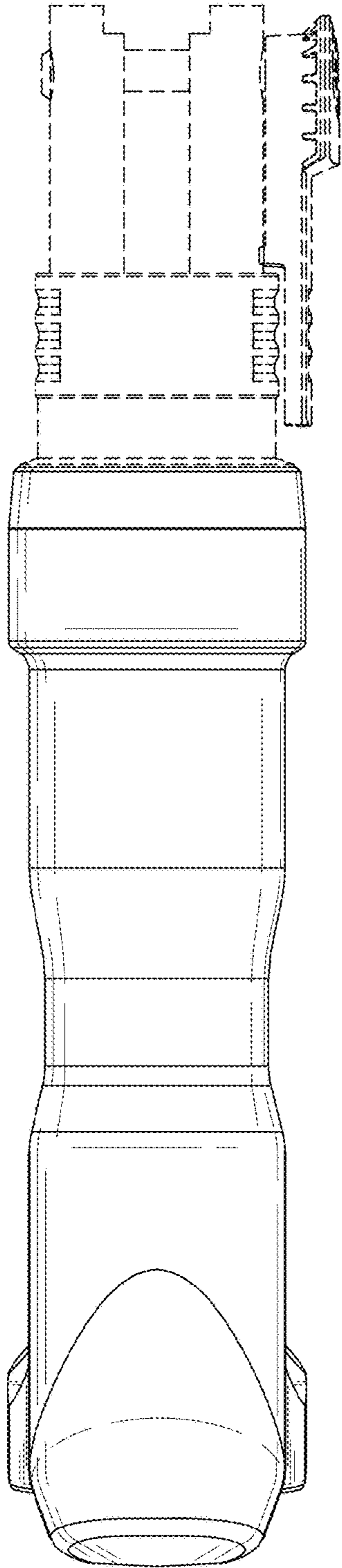


Fig. 5

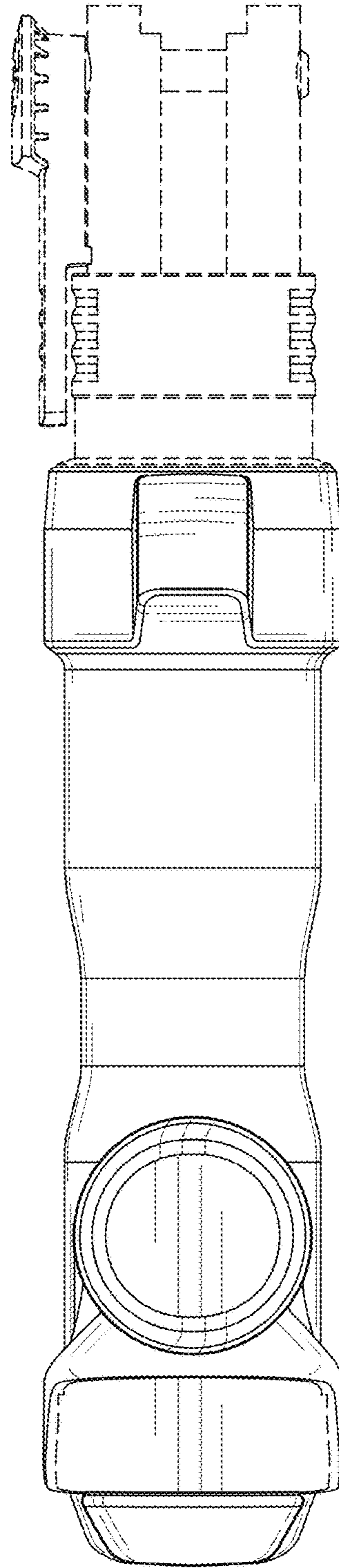


Fig. 6

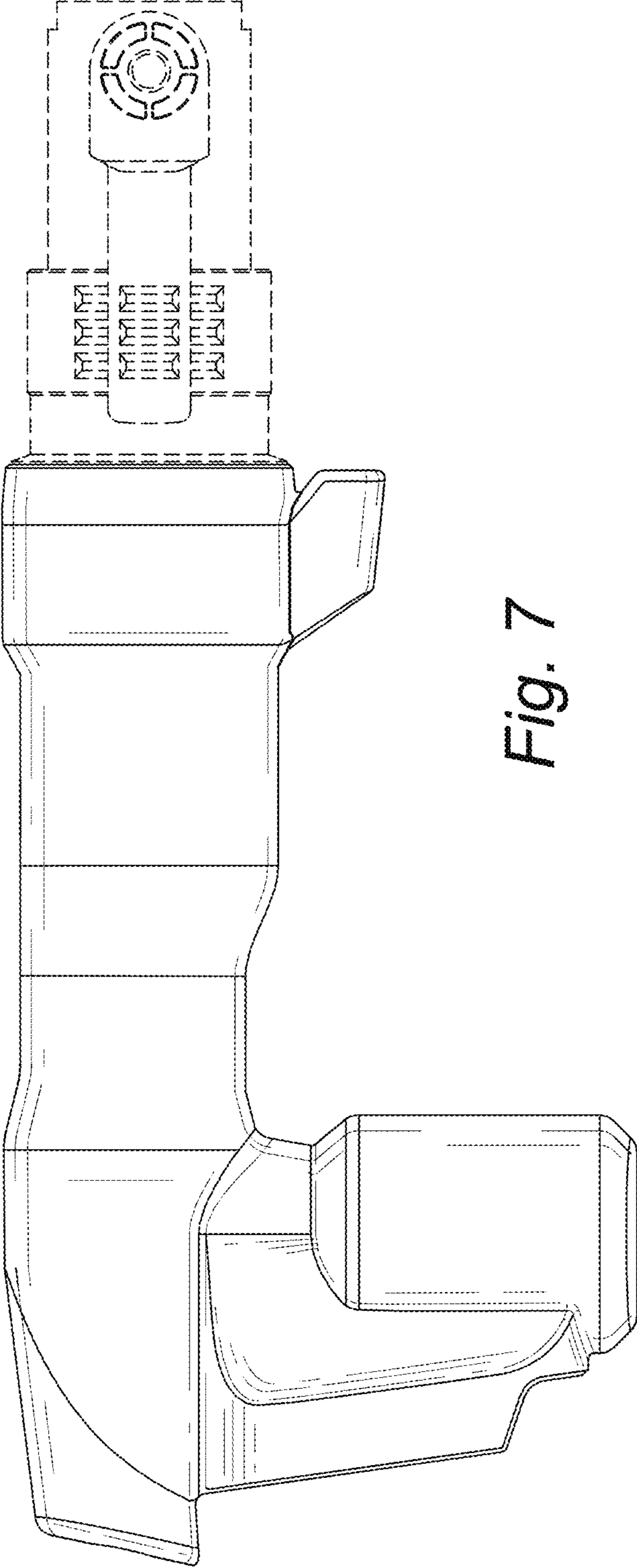


Fig. 7

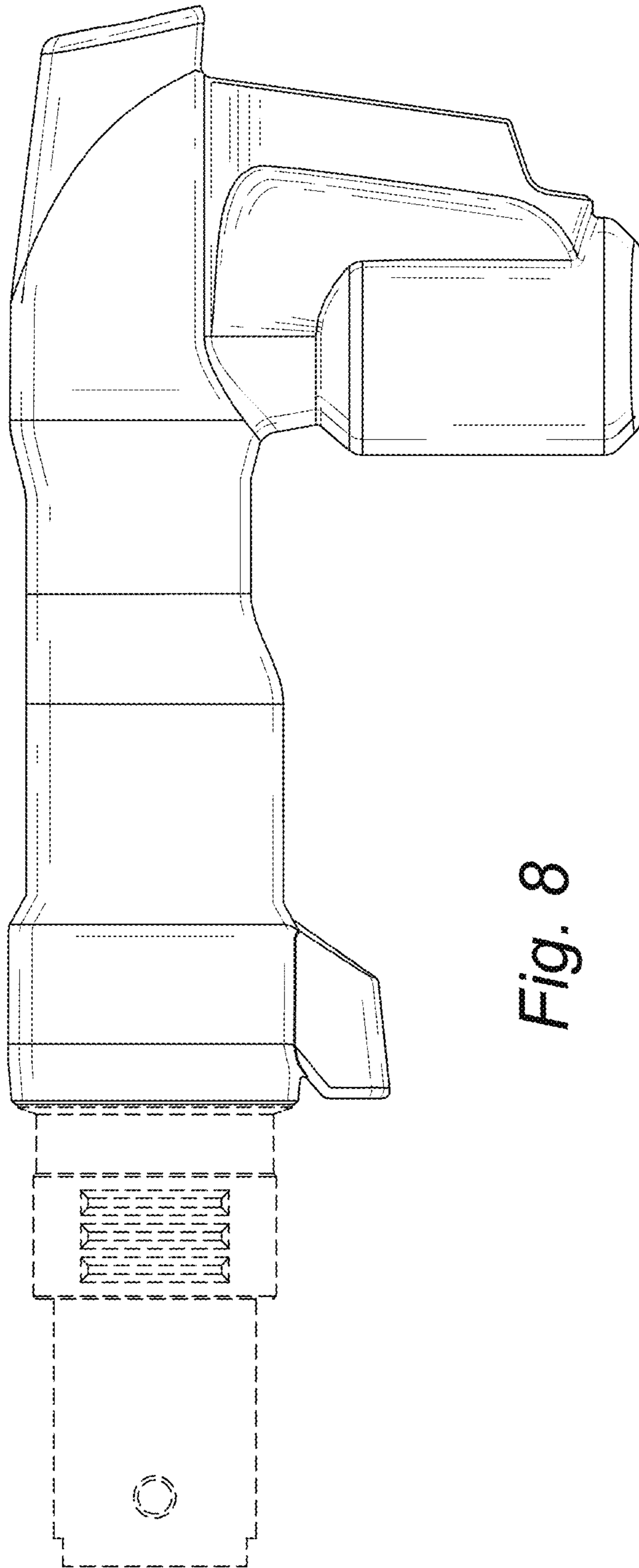


Fig. 8