



US00D774858S

(12) **United States Design Patent** (10) **Patent No.:** **US D774,858 S**  
**Stucki et al.** (45) **Date of Patent:** **\*\* Dec. 27, 2016**

(54) **PRESS TOOL**

FOREIGN PATENT DOCUMENTS

(71) Applicant: **Emerson Electric Co.**, St. Louis, MO (US)

CH EP 2172308 A2 \* 4/2010 ..... B25B 27/10

(72) Inventors: **Andreas Stucki**, Gelterkinden (CH);  
**Martin Moritz**, Landser (FR)

OTHER PUBLICATIONS

“Pressing” section of RIDGID [Catalog], Ridge Tool Company, a subsidiary of Emerson, part of Emerson Professional Tools™, © 2008 RIDGID, Inc., pp. 10.1 through 10.12.

(73) Assignee: **Emerson Electric Co.**, St. Louis, MO (US)

*Primary Examiner* — Darlington Ly

(\*\*) Term: **14 Years**

(57) **CLAIM**

(21) Appl. No.: **29/522,971**

The ornamental design for a press tool, as shown and described.

(22) Filed: **Apr. 6, 2015**

**DESCRIPTION**

**Related U.S. Application Data**

(62) Division of application No. 29/430,635, filed on Aug. 28, 2012, now Pat. No. Des. 729,602.

(51) **LOC (10) Cl.** ..... **08-03**

(52) **U.S. Cl.**  
USPC ..... **D8/61**

(58) **Field of Classification Search**  
USPC ..... D8/7, 21, 24, 25, 29, 36, 40, 60, 61, 68,  
D8/70, 85; D21/532; 30/92, 371; 74/49,  
74/50; 173/2, 176, 181, 216, 217;  
446/145

(Continued)

(56) **References Cited**

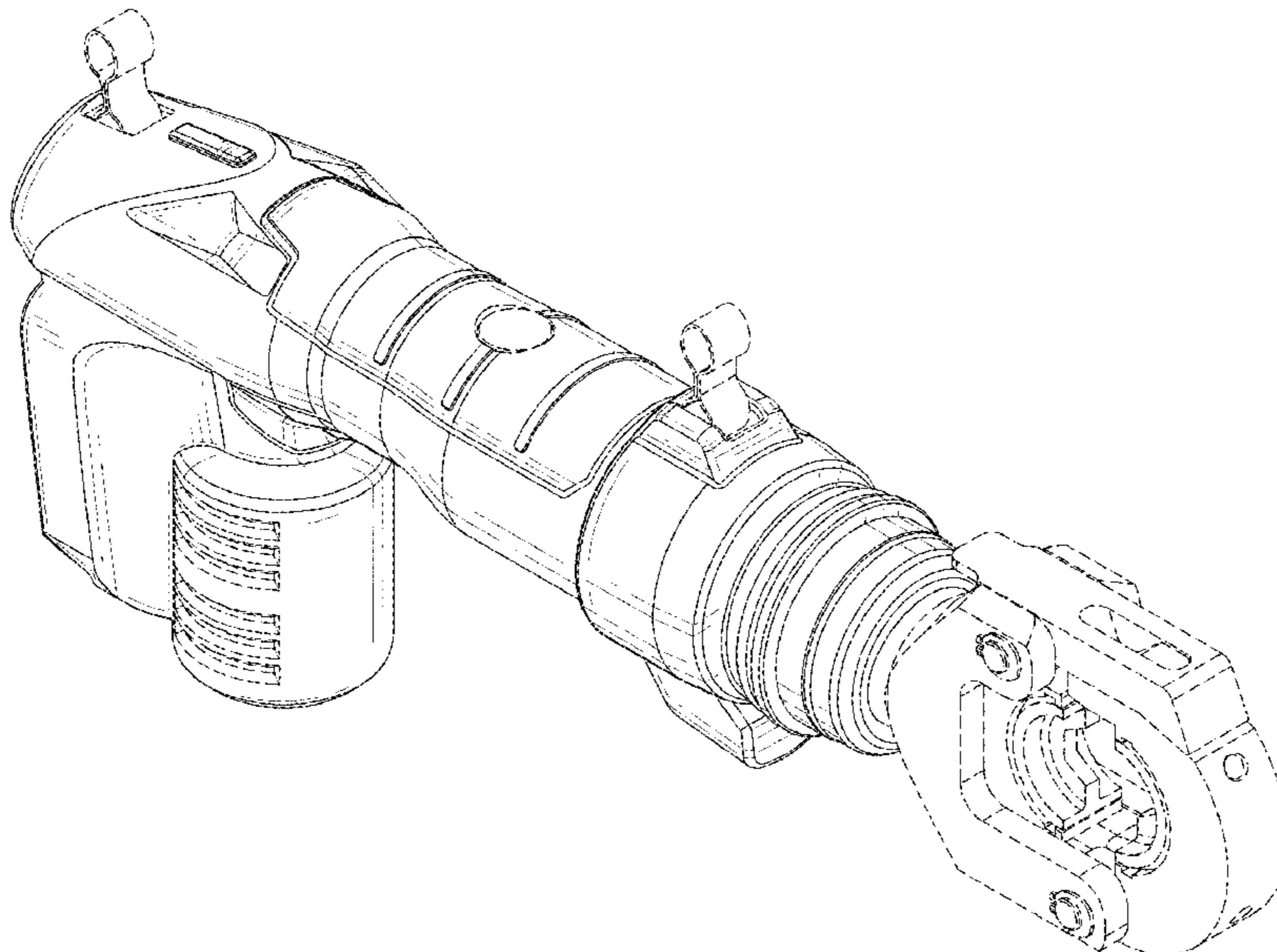
U.S. PATENT DOCUMENTS

D329,793 S \* 9/1992 Fukuda ..... D8/60  
D428,787 S 8/2000 Smolinski et al.

(Continued)

FIG. 1 is a front isometric view of the press tool of the present design;  
FIG. 2 is a rear isometric view of the press tool of FIG. 1;  
FIG. 3 is a right side view of the press tool of FIG. 1;  
FIG. 4 is a left side view of the press tool of FIG. 1;  
FIG. 5 is a top view of the press tool of FIG. 1;  
FIG. 6 is a bottom view of the press tool of FIG. 1;  
FIG. 7 is a front view of the press tool of FIG. 1, the back view being substantially a mirror image thereof;  
FIG. 8 is a front isometric view of an alternative embodiment of the press tool of the present design;  
FIG. 9 is a rear isometric view of the press tool of FIG. 8;  
FIG. 10 is a right side view of the press tool of FIG. 8;  
FIG. 11 is a left side view of the press tool of FIG. 8;  
FIG. 12 is a top view of the press tool of FIG. 8;  
FIG. 13 is a bottom view of the press tool of FIG. 8; and,  
FIG. 14 is a front view of the press tool of FIG. 8, the back view being substantially a mirror image thereof.  
The broken lines represent the portions of the press tool that form no part of the claimed design.

**1 Claim, 10 Drawing Sheets**



(58) **Field of Classification Search**

CPC ..... B25F 3/00; B25F 28/00; B23D 29/002;  
 B26D 3/16; B25B 27/10; B25B 27/146

See application file for complete search history.

(56) **References Cited**

U.S. PATENT DOCUMENTS

D477,758	S	7/2003	Chunn et al.	
D527,592	S	9/2006	Hayakawa et al.	
D528,385	S	9/2006	Netzler	
7,254,982	B2 *	8/2007	Frenken .....	B25B 27/10 60/477
D588,891	S	3/2009	Hayakawa et al.	
D617,620	S	6/2010	Yaschur et al.	
7,841,223	B2 *	11/2010	Rollins .....	B25B 27/10 29/751
D657,221	S *	4/2012	Isobe .....	D8/61
D673,829	S *	1/2013	Takeshima .....	D8/61
D688,928	S	9/2013	Busschaert	
D700,032	S *	2/2014	Frenken .....	D8/60
D701,441	S	3/2014	Yaschur	
D710,173	S *	8/2014	Frenken .....	D8/61
D713,707	S	9/2014	Glockseisen	
D716,124	S *	10/2014	Kamijyo .....	D8/61
D729,602	S *	5/2015	Stucki .....	D8/61
2003/0188566	A1 *	10/2003	Lefavour .....	B25B 27/10 72/453.16
2004/0144146	A1 *	7/2004	Amherd .....	B21D 39/048 72/21.3
2011/0197451	A1 *	8/2011	Mitchell .....	B23D 29/002 30/92

\* cited by examiner

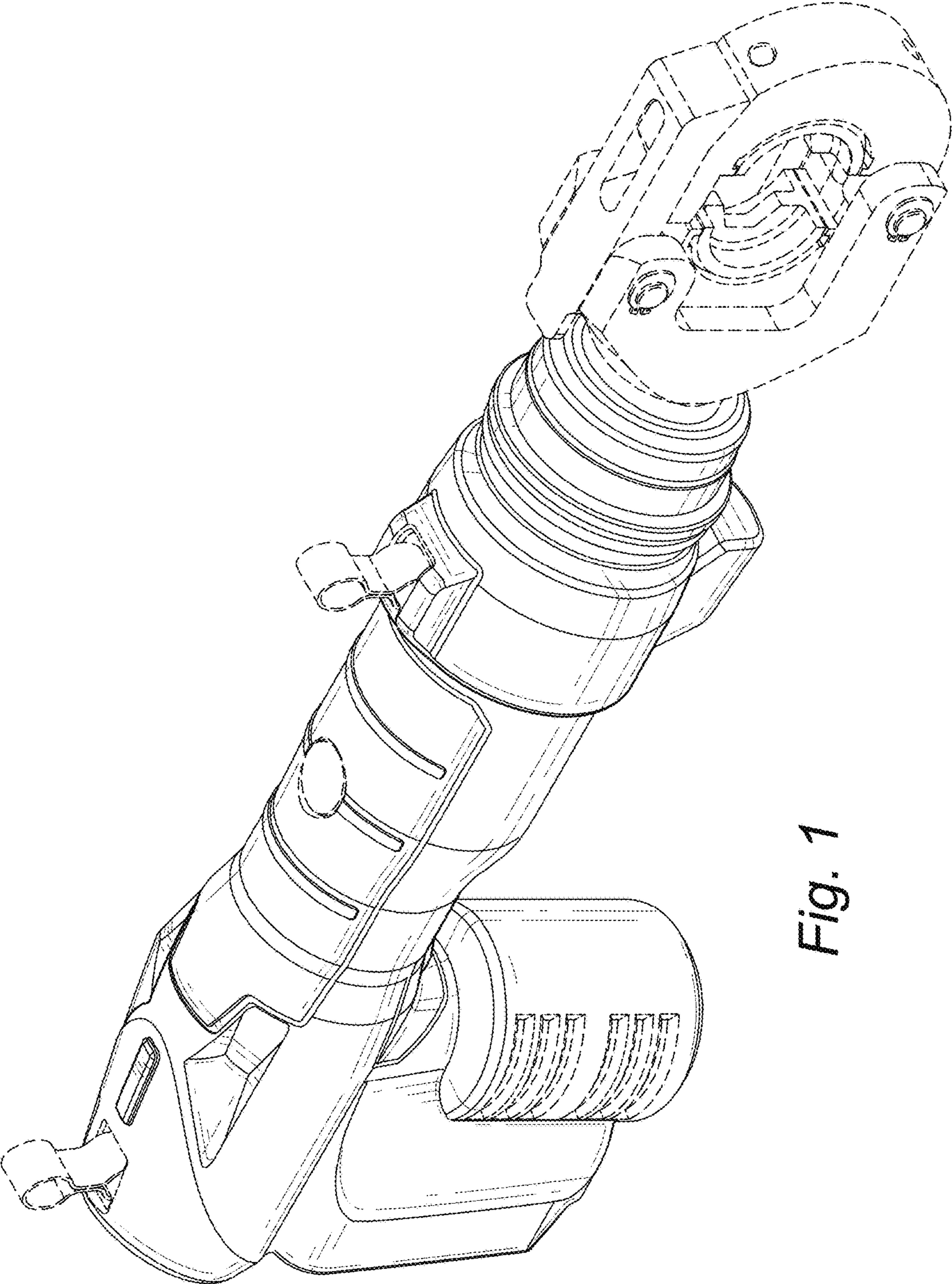


Fig. 1



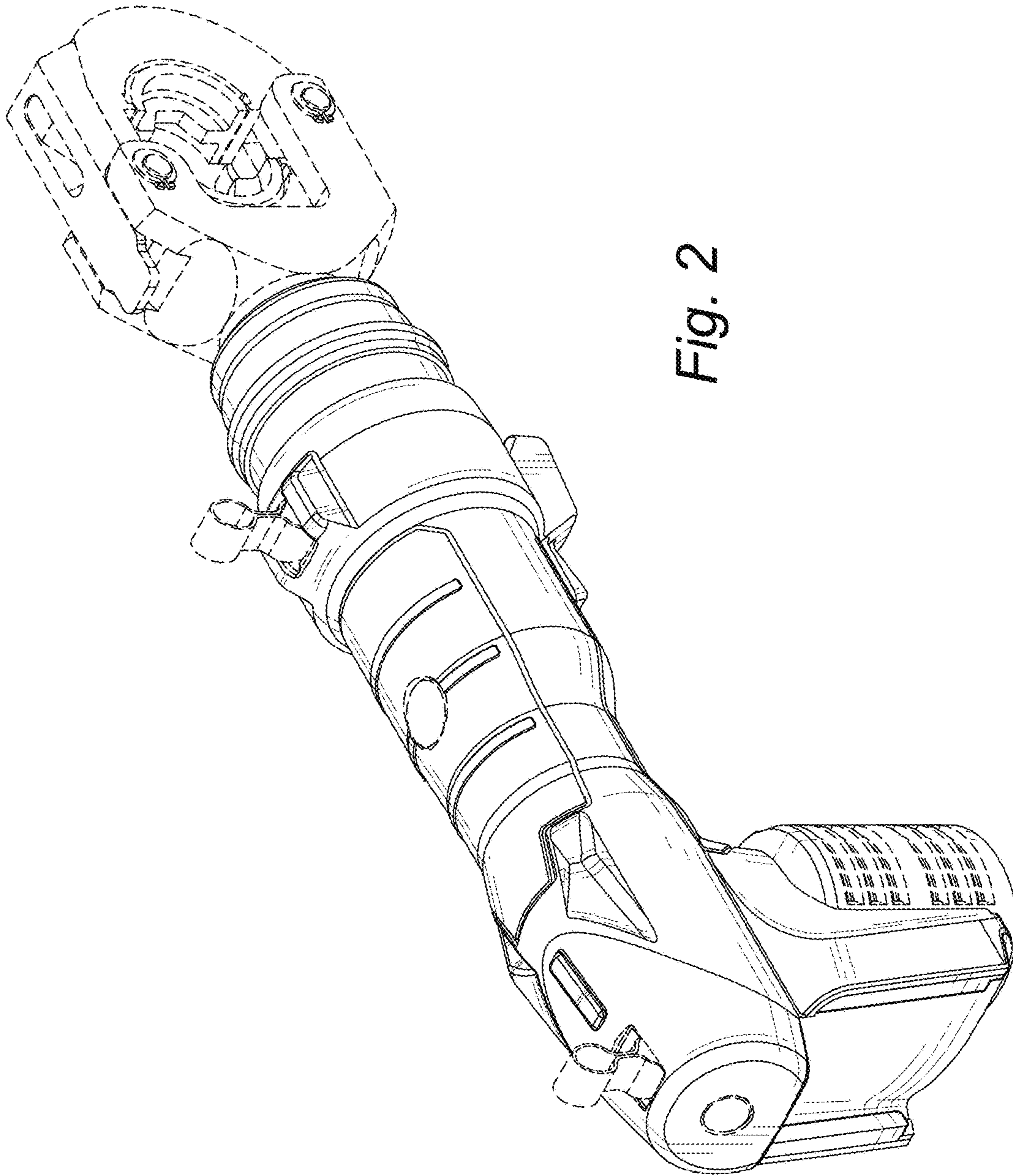


Fig. 2

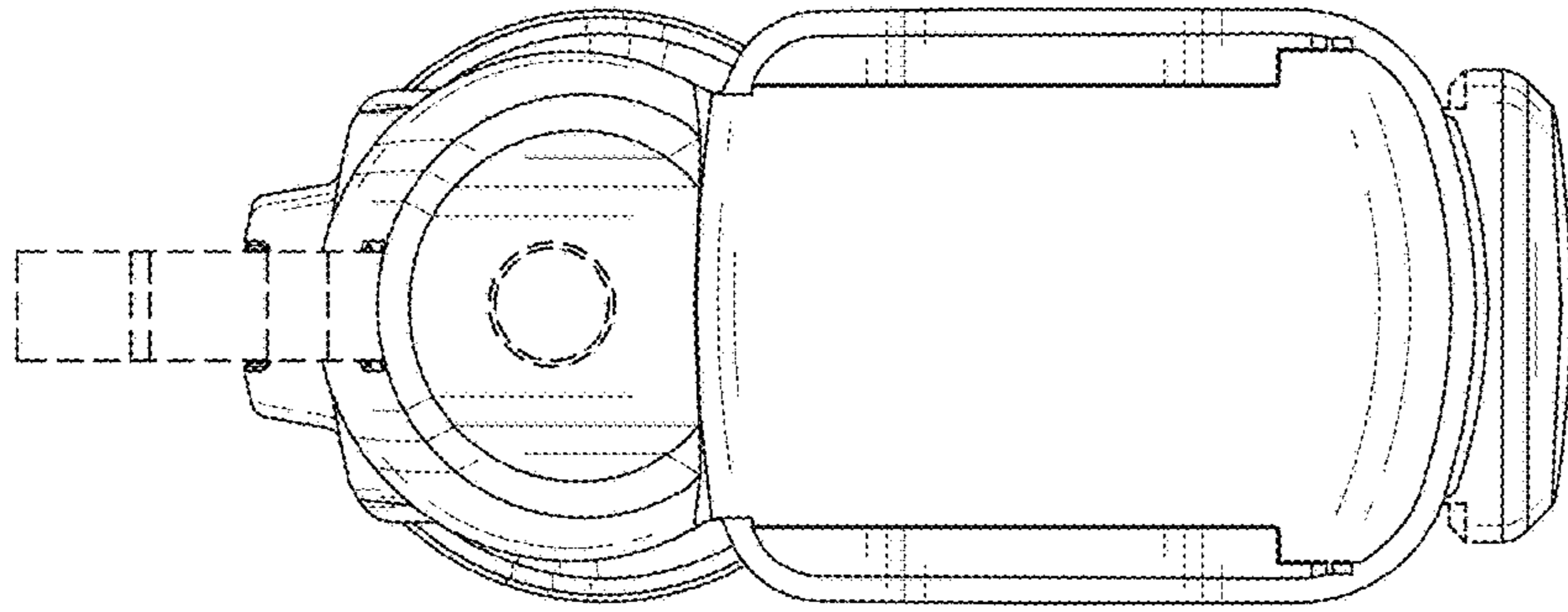


Fig. 4

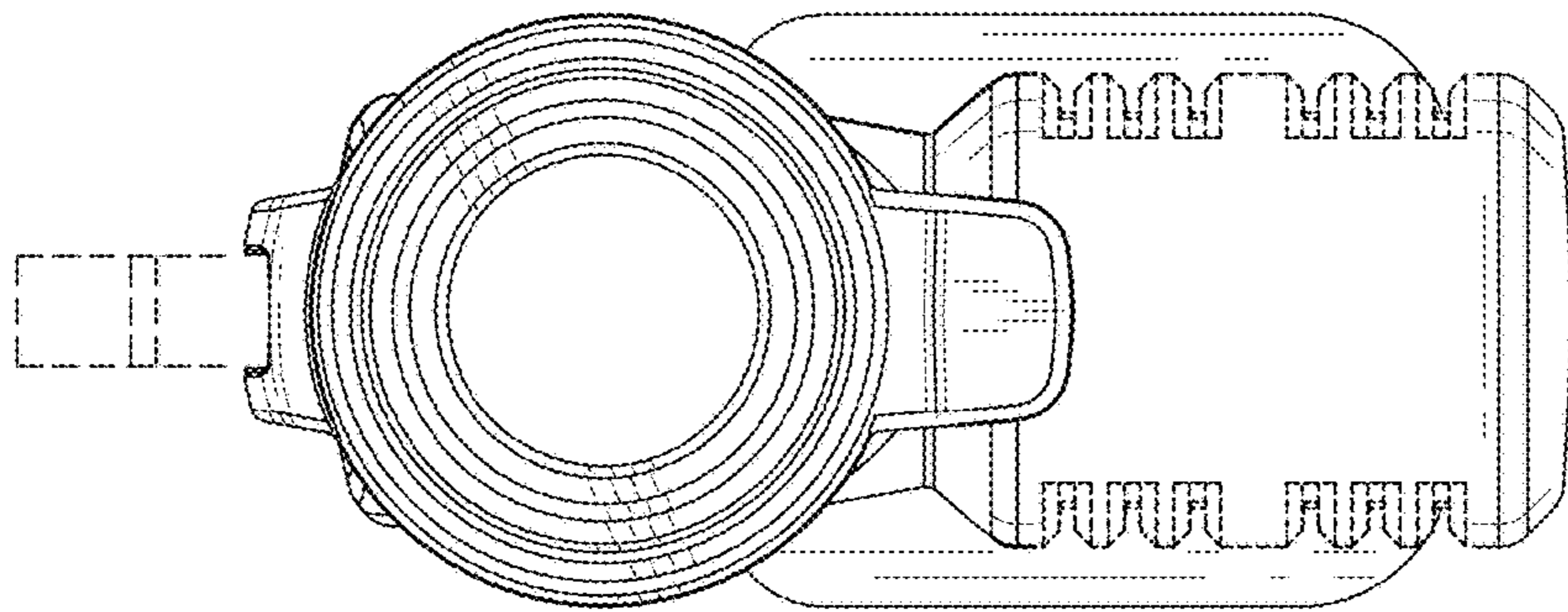


Fig. 3

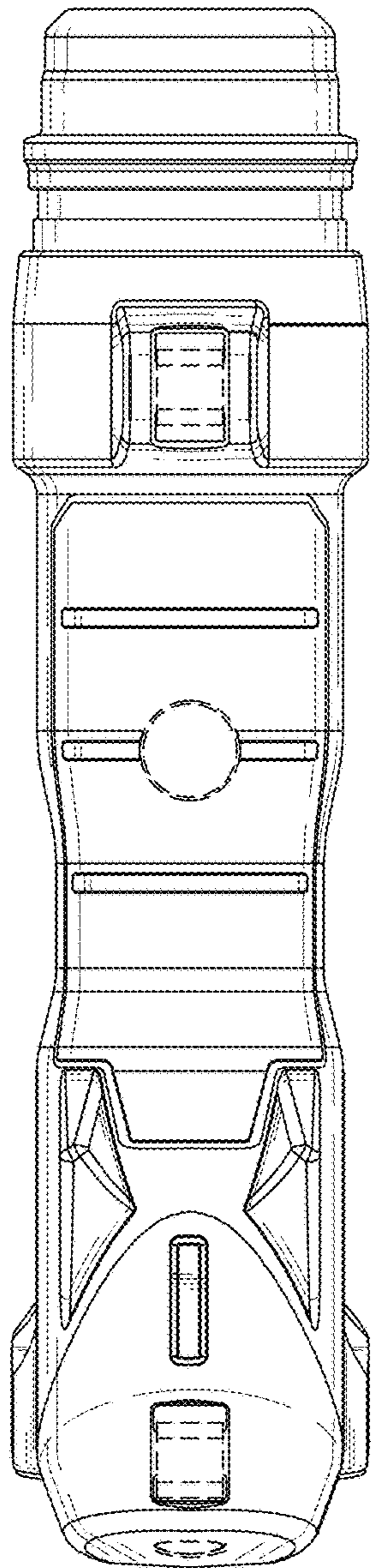


Fig. 5

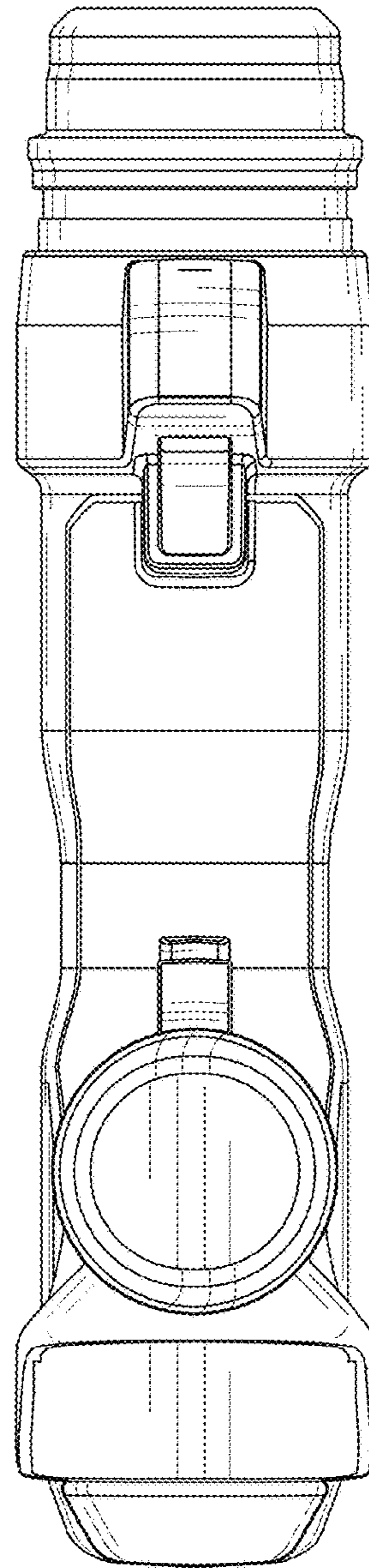


Fig. 6

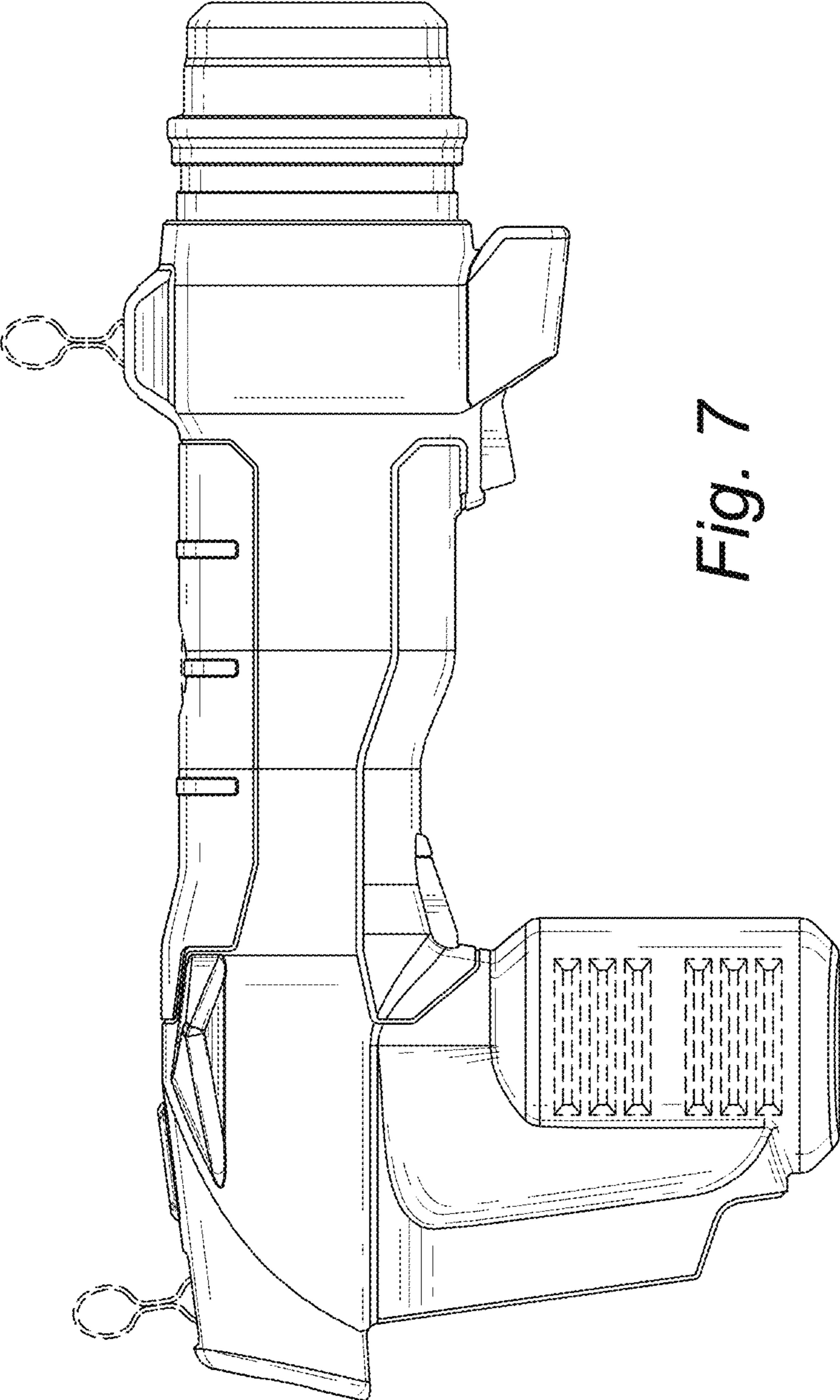


Fig. 7



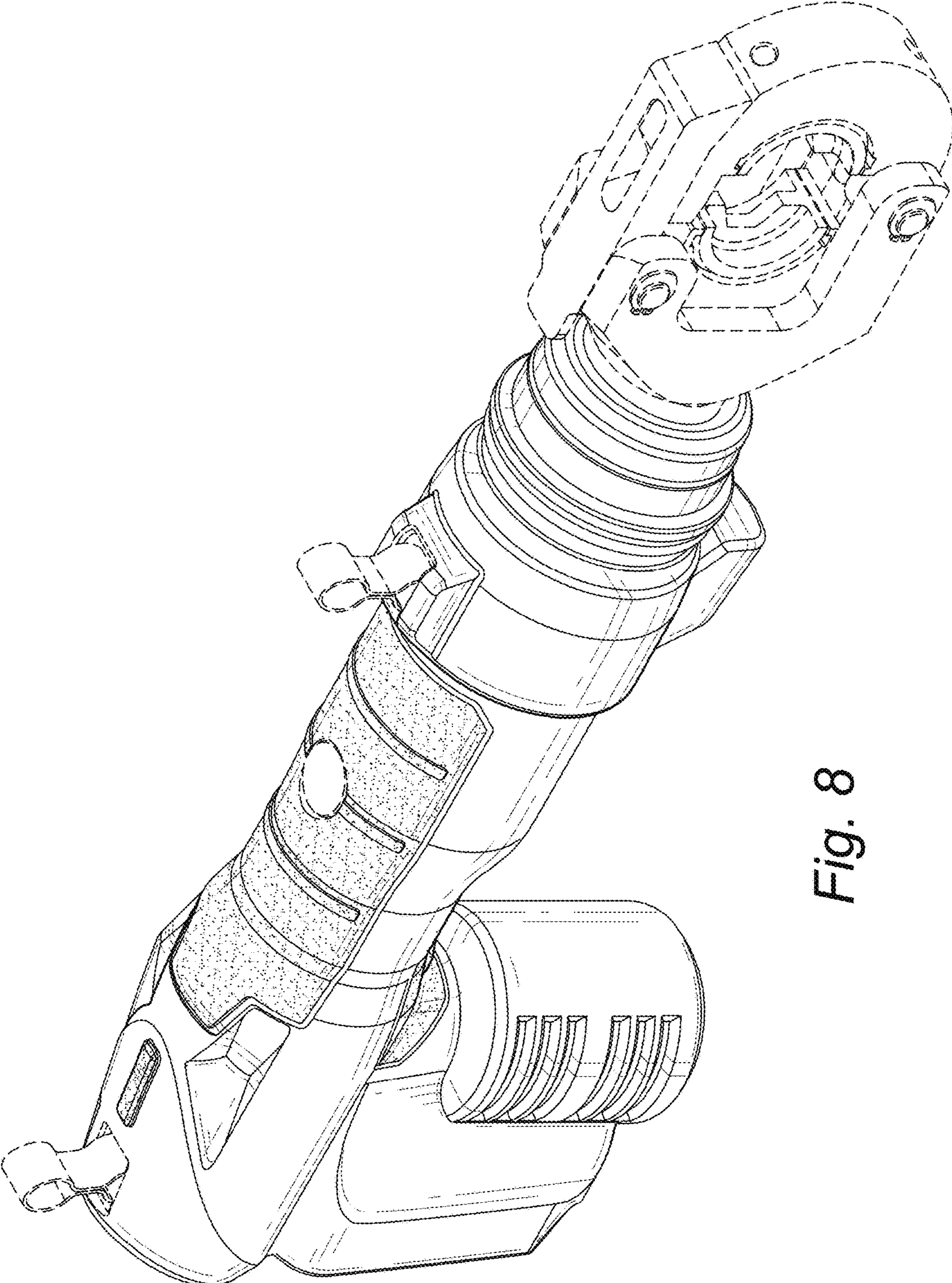


Fig. 8



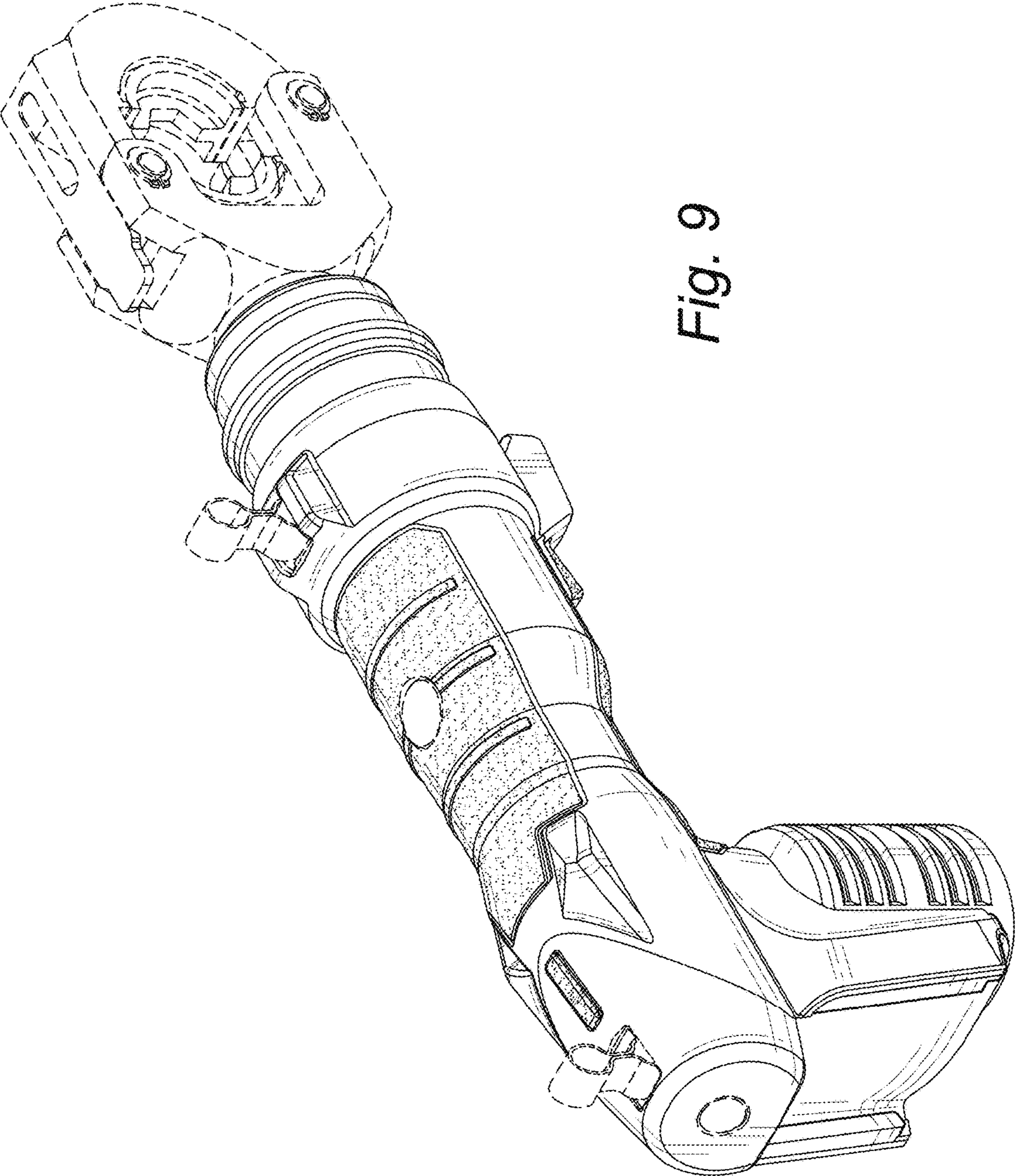


Fig. 9

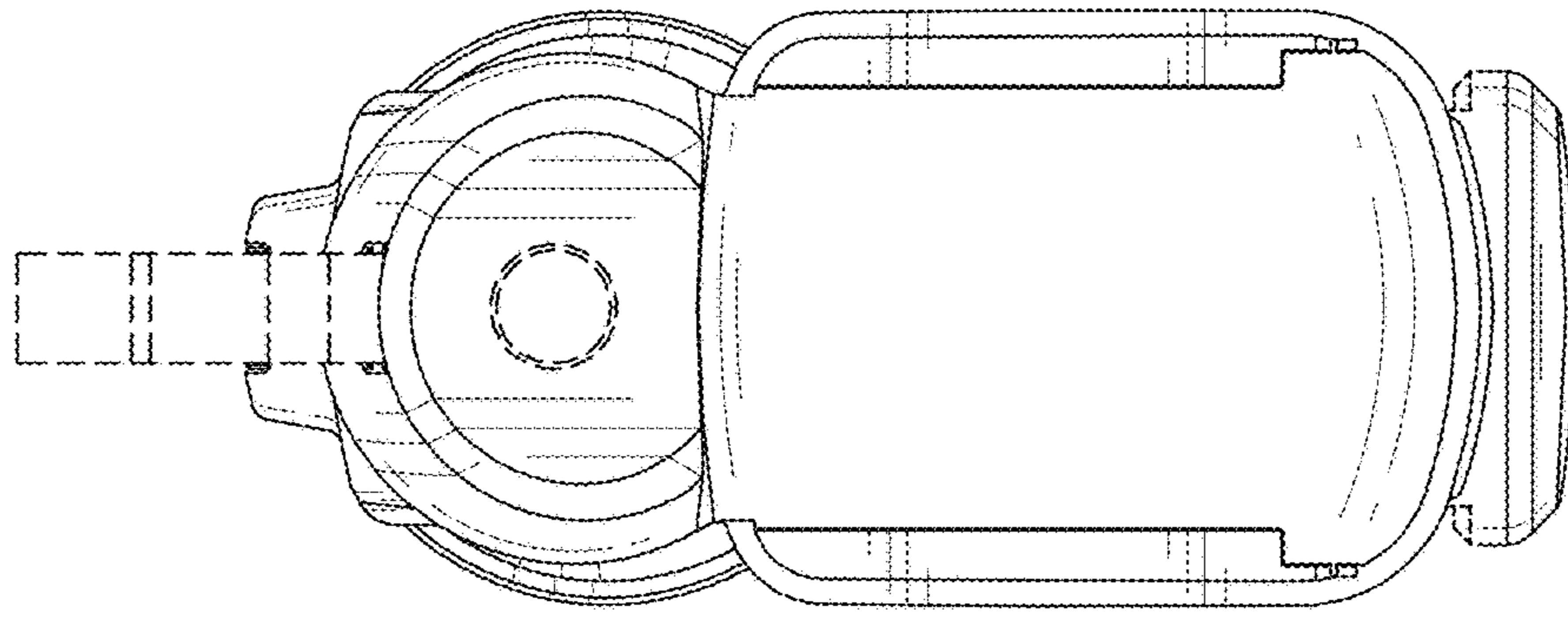


Fig. 11

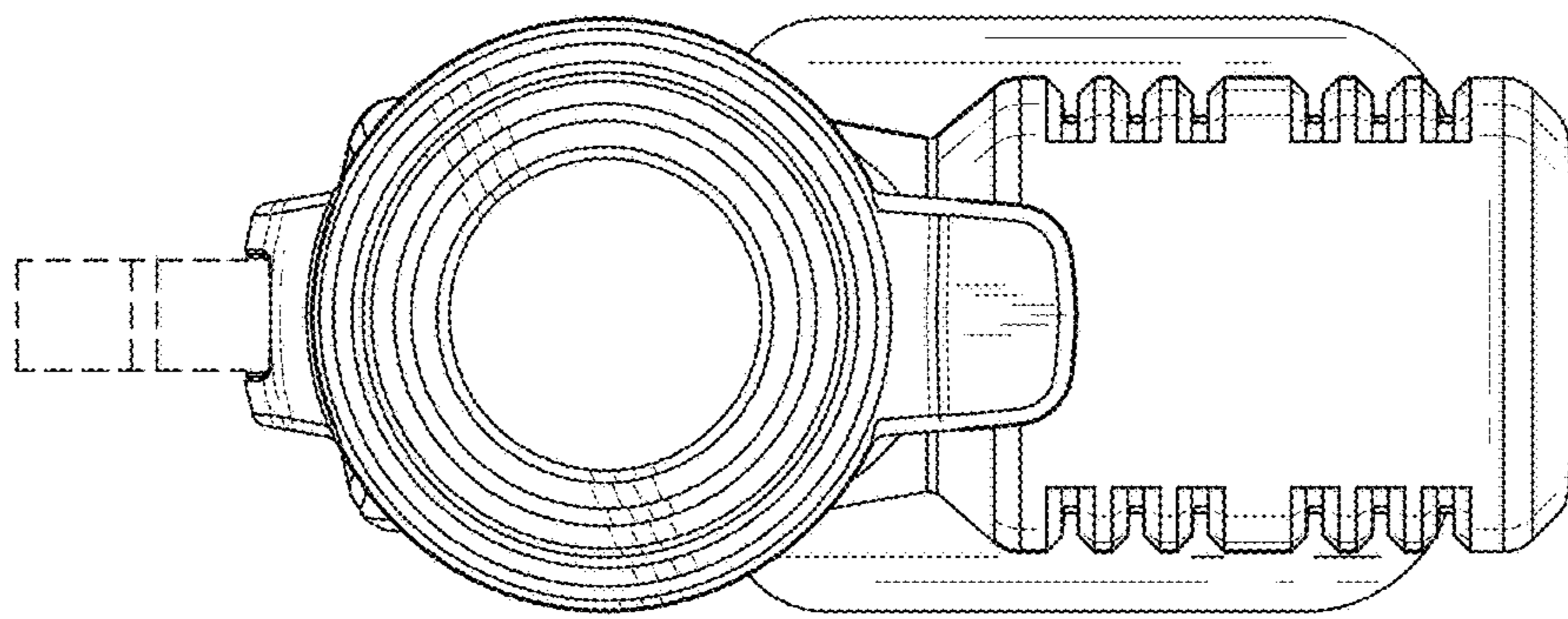


Fig. 10

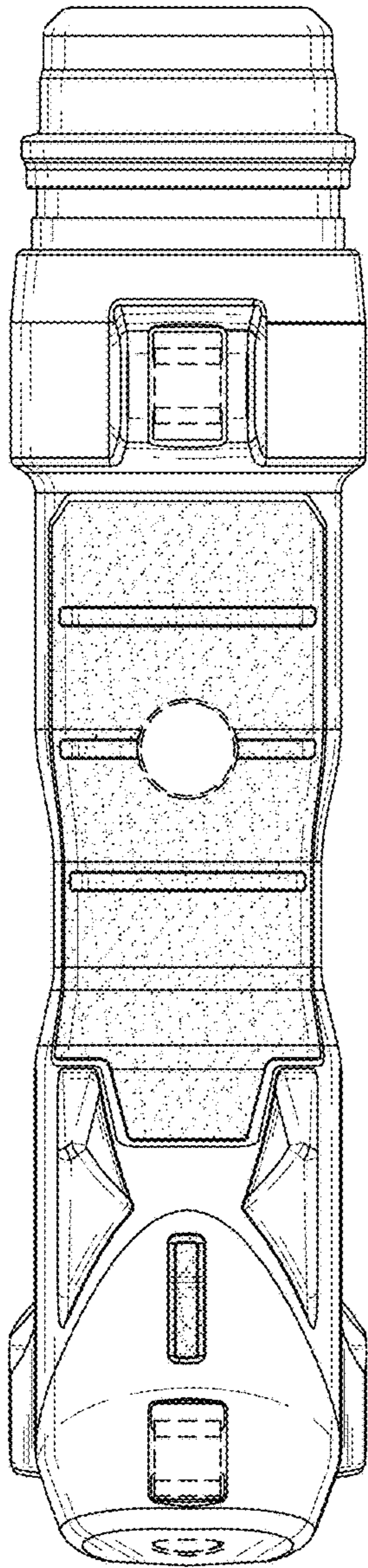


Fig. 12

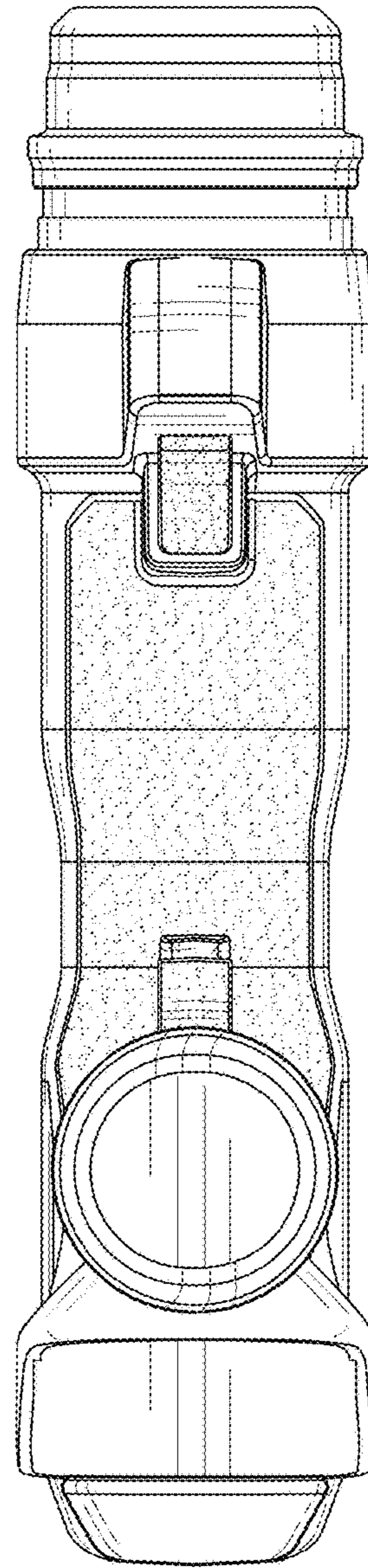


Fig. 13



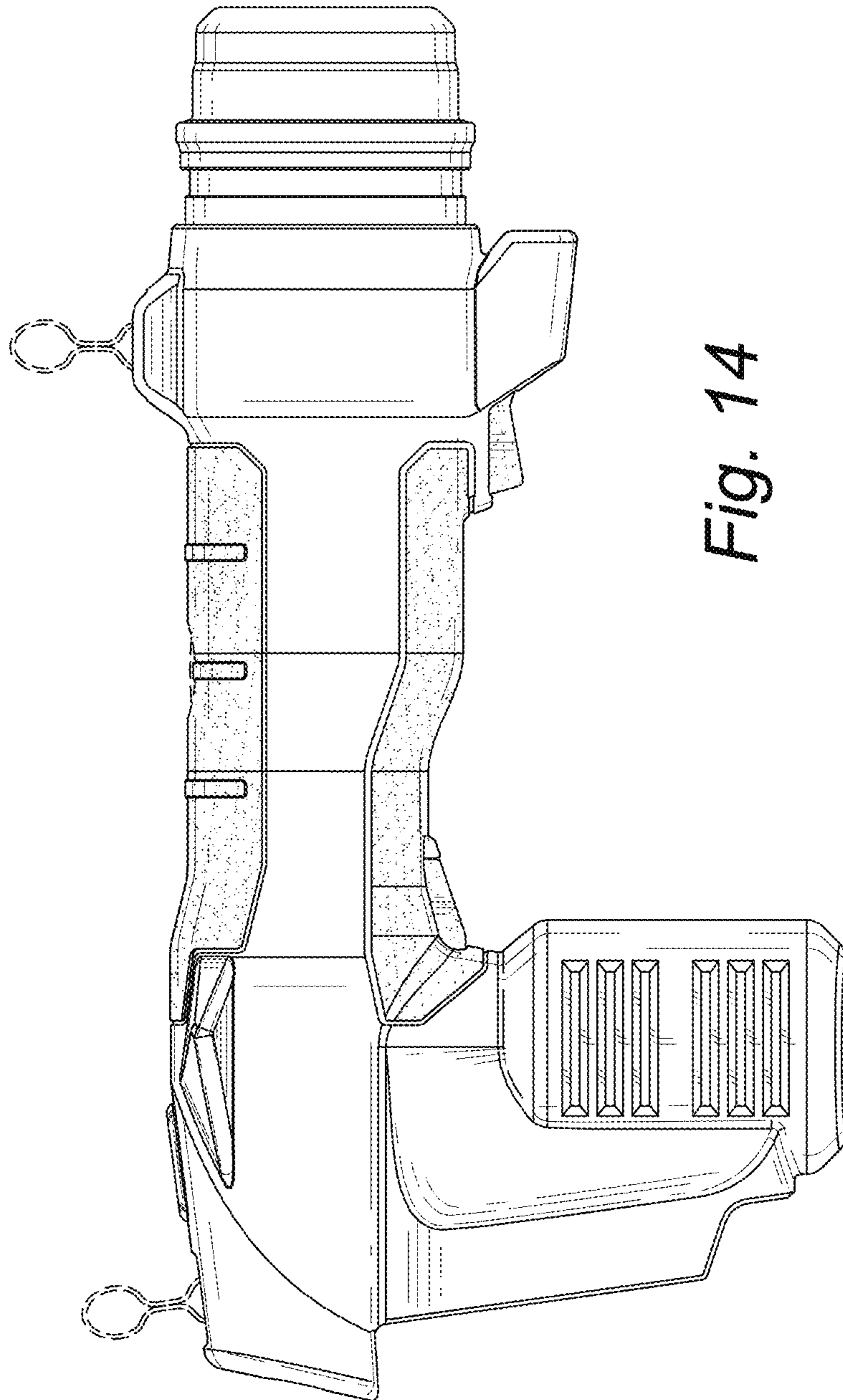


Fig. 14