



US00D774855S

(12) **United States Design Patent**
Papafagos

(10) **Patent No.:** **US D774,855 S**

(45) **Date of Patent:** **** Dec. 27, 2016**

(54) **GLADHAND TAPER GRIP**

D600,773 S * 9/2009 Hall D22/139
D667,714 S * 9/2012 Ortiz D8/14
8,826,896 B1 * 9/2014 McPherson F41B 5/1403
124/90

(71) Applicant: **TECTRAN Mfg. Inc.**, Cheektowaga,
NY (US)

* cited by examiner

(72) Inventor: **James C. Papafagos**, North Java, NY
(US)

Primary Examiner — Phillip S Hyder

(74) *Attorney, Agent, or Firm* — David C. Robertson;
Verrill Dana, LLP

(73) Assignee: **Tectran Mfg. Inc.**, Cheektowaga, NY
(US)

(57) **CLAIM**

(**) Term: **15 Years**

I claim the ornamental design for a gladhand taper grip, as
shown and described.

(21) Appl. No.: **29/533,346**

DESCRIPTION

(22) Filed: **Jul. 16, 2015**

(51) **LOC (10) Cl.** **08-03**

(52) **U.S. Cl.**

USPC **D8/14**

(58) **Field of Classification Search**

USPC ... D8/14, 83, 80, 97, 107, 300, 303; D32/72

CPC B25G 1/00; B25G 1/10; B25G 1/125;

B25G 1/005; Y10T 16/44; Y10T 16/466

See application file for complete search history.

FIG. 1 is a perspective view of a gladhand taper grip
depicting the new, original and ornamental design thereof.
FIG. 2 is a right side elevation view of the gladhand taper
grip of FIG. 1.

The left side elevation view (not illustrated in the drawings)
of the gladhand taper grip of FIG. 1 is a mirror image of the
right side elevation view shown in FIG. 2.

The top plan view (not illustrated in the drawings) of the
gladhand taper grip of FIG. 1 is identical to the right side
elevation view shown in FIG. 2.

The bottom plan view (not illustrated in the drawings) of the
gladhand taper grip of FIG. 1 is a mirror image of the top
plan view.

FIG. 3 is a front end longitudinal elevation view of the
gladhand taper grip of FIG. 1; and,

FIG. 4 is a rear end longitudinal elevation view of the
gladhand taper grip of FIG. 1.

The broken lines depict portions of the gladhand taper grip
in which the design is embodied that are not considered part
of the claimed design.

(56) **References Cited**

U.S. PATENT DOCUMENTS

D322,022 S * 12/1991 Cunningham D8/303

D346,946 S * 5/1994 Berti D8/107

5,832,651 A * 11/1998 Arntz A01K 97/14

294/19.3

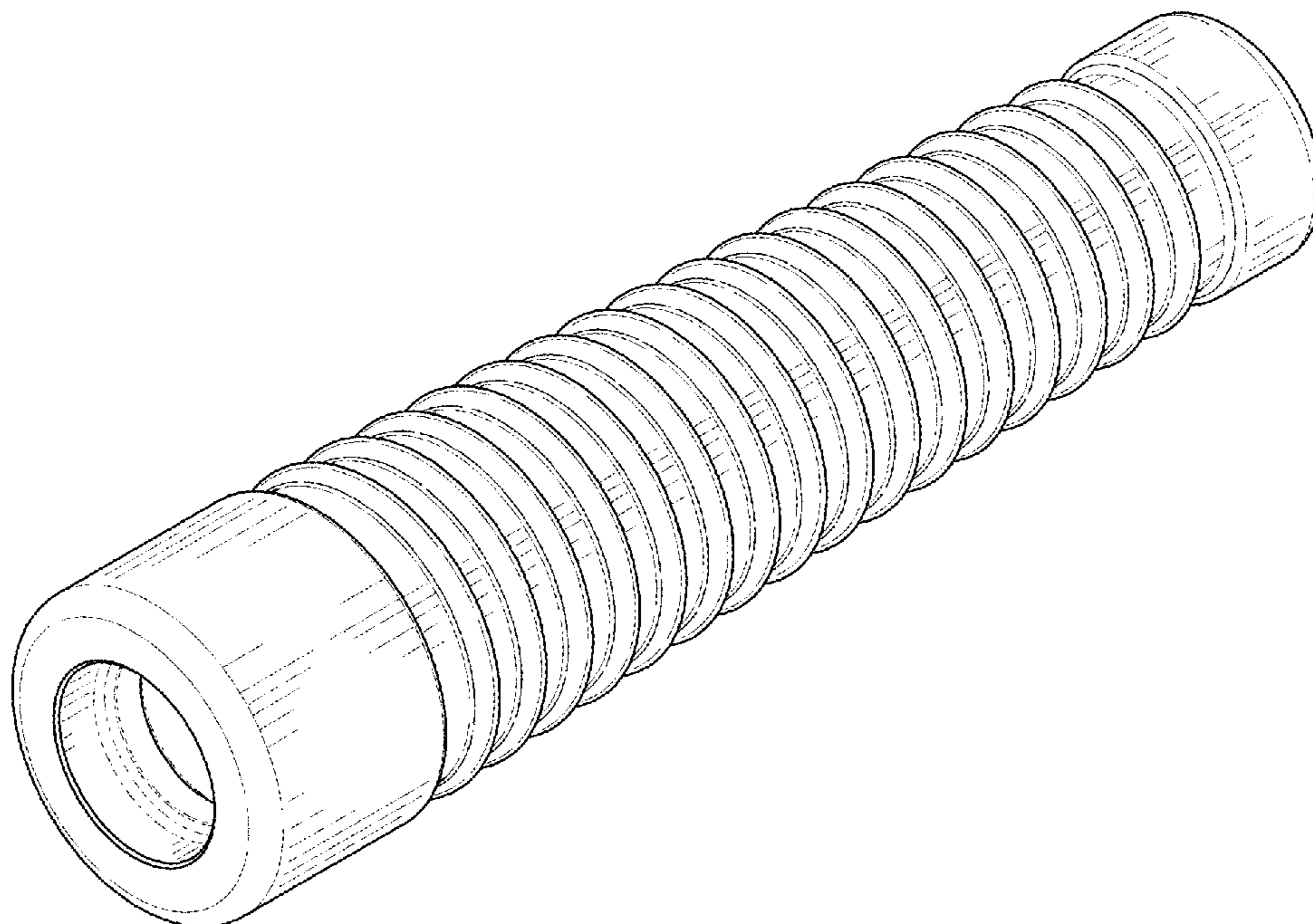
D442,918 S * 5/2001 Knight D13/154

D453,292 S * 2/2002 Tsuzuki D8/300

D462,747 S * 9/2002 Pavlovic D23/250

D546,659 S * 7/2007 Smith D8/313

1 Claim, 3 Drawing Sheets



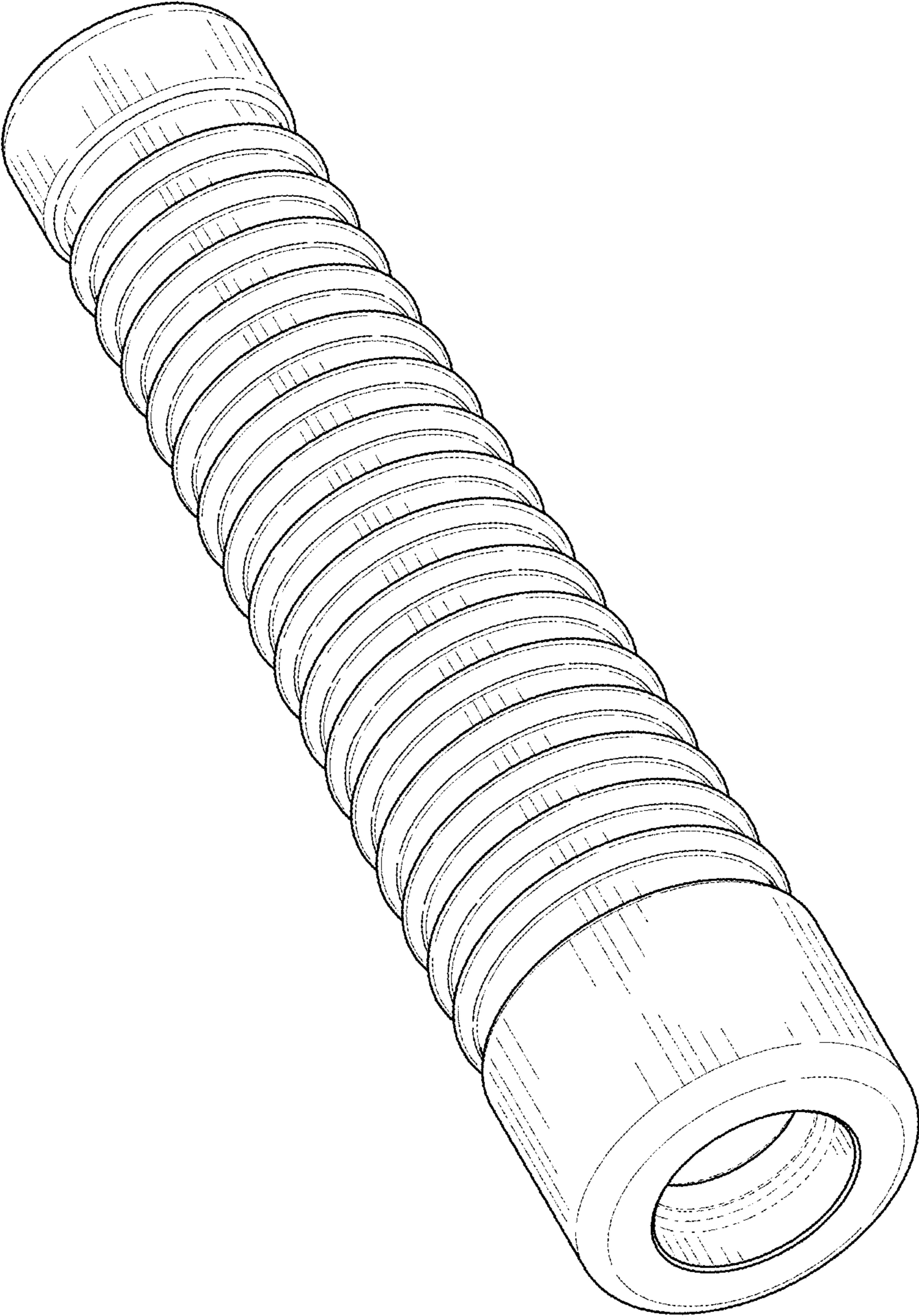


FIG. 1

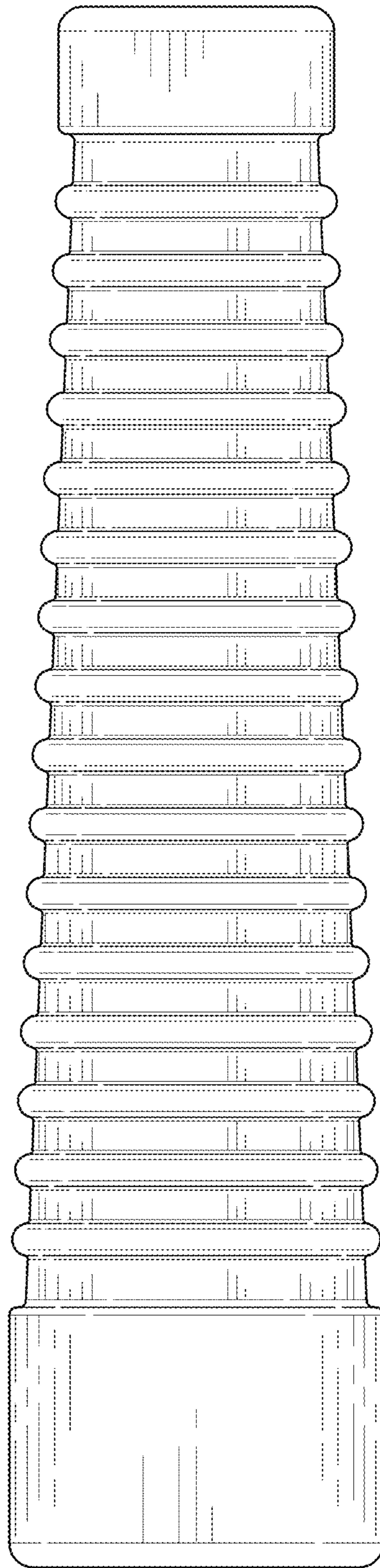


FIG. 2

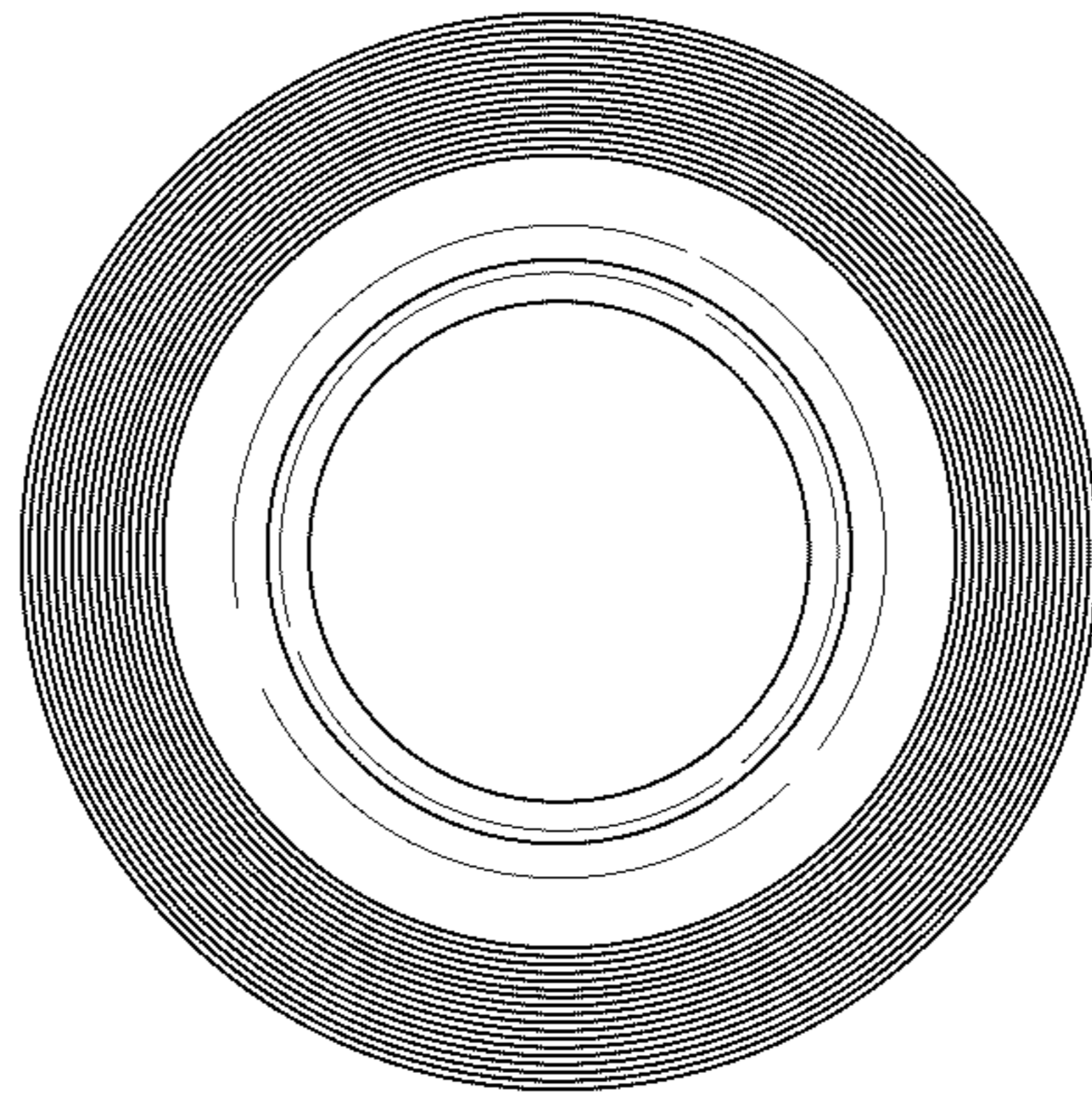


FIG. 4

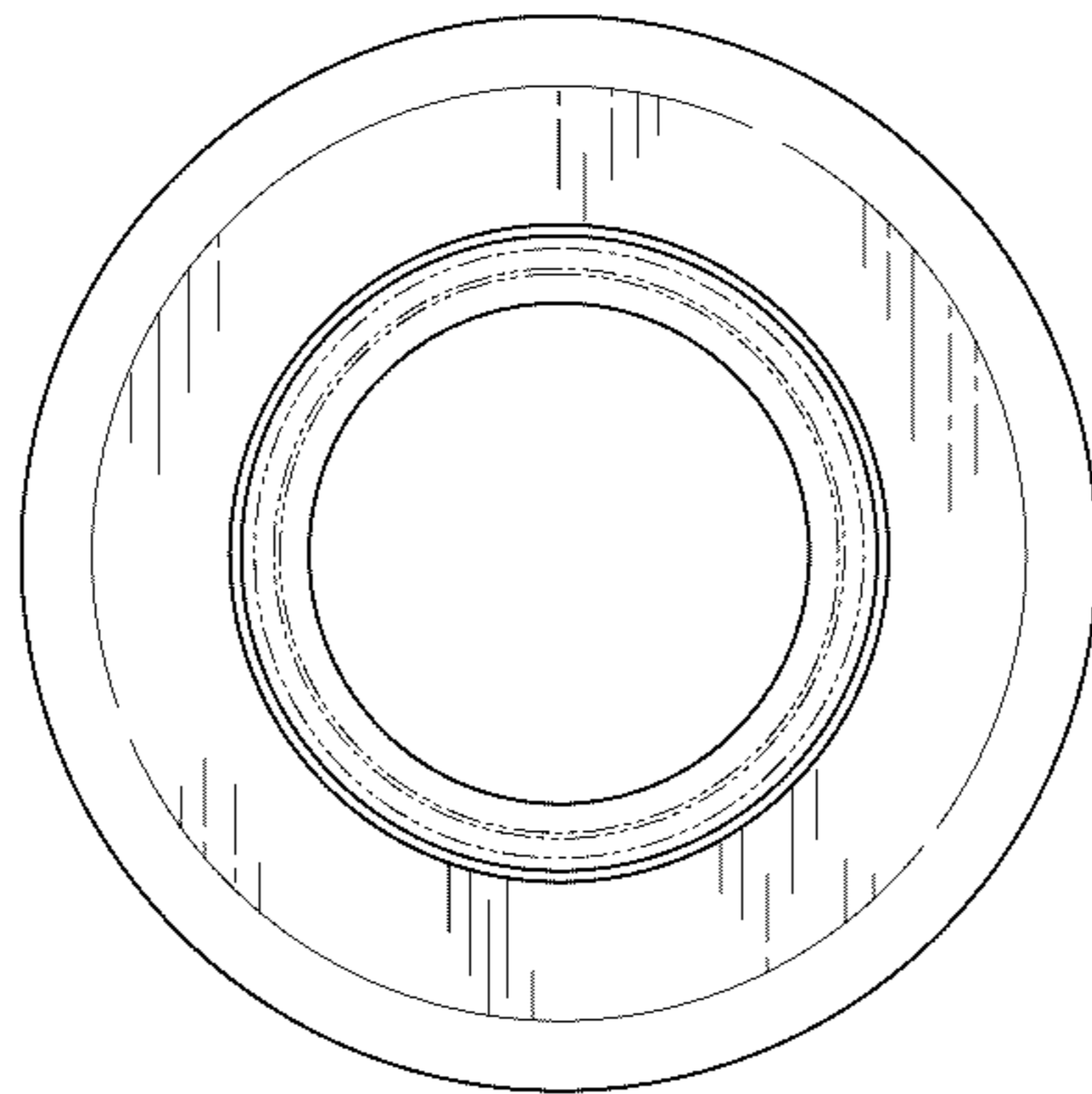


FIG. 3